

US00D570885S

(12) **United States Design Patent** (10) **Patent No.:** **US D570,885 S**
Rand et al. (45) **Date of Patent:** **** Jun. 10, 2008**

(54) **CONTROL**

(75) Inventors: **Thomas W. Rand**, Cedarburg, WI (US); **Andrew J. Doberstein**, Hartford, WI (US); **Joseph H. Zyduck**, Mukwonago, WI (US); **Jennifer U. Straszewski**, Mequon, WI (US)

(73) Assignee: **U-Line Corporation**, Milwaukee, WI (US)

(**) Term: **14 Years**

(21) Appl. No.: **29/259,053**

(22) Filed: **Apr. 28, 2006**

(51) **LOC (8) Cl.** **15-07**

(52) **U.S. Cl.** **D15/89**

(58) **Field of Classification Search** D15/79, D15/81, 85-89, 91; D13/162, 162.1, 164, D13/171, 177; D14/299, 300, 371, 374, D14/381, 382, 441, 443, 485, 157, 258, 257, D14/490; D7/406; D18/41, 54, 56; D32/28; 62/3.1, 3.6, 3.63, 3.64, 45.1, 98, 125, 275, 62/293, 331, 344, 371, 440, 467, 529, 531; 312/7.2, 9.1, 236, 352, 400-406; D10/104, D10/106; 200/4, 296; 345/156, 196; D24/201; 369/30.06

See application file for complete search history.

(56) **References Cited**

U.S. PATENT DOCUMENTS

D330,214 S * 10/1992 Antonacci et al. D18/41
D334,542 S * 4/1993 Lowe et al. D10/104
D334,753 S * 4/1993 Dziekan et al. D14/258
D348,936 S * 7/1994 Swick et al. D24/201
D369,514 S * 5/1996 Baldwin D7/406
D387,332 S * 12/1997 Harrison D13/162
D396,845 S * 8/1998 Caldes et al. D13/118
D434,734 S * 12/2000 Davis et al. D13/162
D435,021 S * 12/2000 Davis et al. D13/162
6,177,925 B1 * 1/2001 Soloway 345/169

D455,160 S * 4/2002 Choi D15/89
D457,862 S * 5/2002 Falk et al. D13/162
D477,825 S * 7/2003 Nemoto et al. D14/443
D487,670 S * 3/2004 Moon et al. D7/406
D513,153 S * 12/2005 Austin et al. D7/406
D518,493 S * 4/2006 Sato et al. D15/89
D525,632 S * 7/2006 Jost et al. D14/490
D549,664 S * 8/2007 McDougal et al. D13/162
2006/0209641 A1 * 9/2006 Navid 369/30.06
2007/0159454 A1 * 7/2007 Rodriguez et al. 345/156
2007/0187215 A1 * 8/2007 Lavigne et al. 200/4
2007/0193865 A1 * 8/2007 No et al. 200/296

* cited by examiner

Primary Examiner—Stella M. Reid

Assistant Examiner—Shanda C Hill

(74) *Attorney, Agent, or Firm*—Quarles & Brady LLP

(57) **CLAIM**

The ornamental design for a control, as shown and described.

DESCRIPTION

In a preferred embodiment, the nature of this product is as a control, for example an electronic control for controlling the refrigeration components of a cooling unit, such as a compact refrigerator, freezer, beverage cooler, ice maker, combinations thereof and the like.

FIG. 1 is a right, top, front perspective view of a control embodying our new design;

FIG. 2 is an enlarged perspective view thereof;

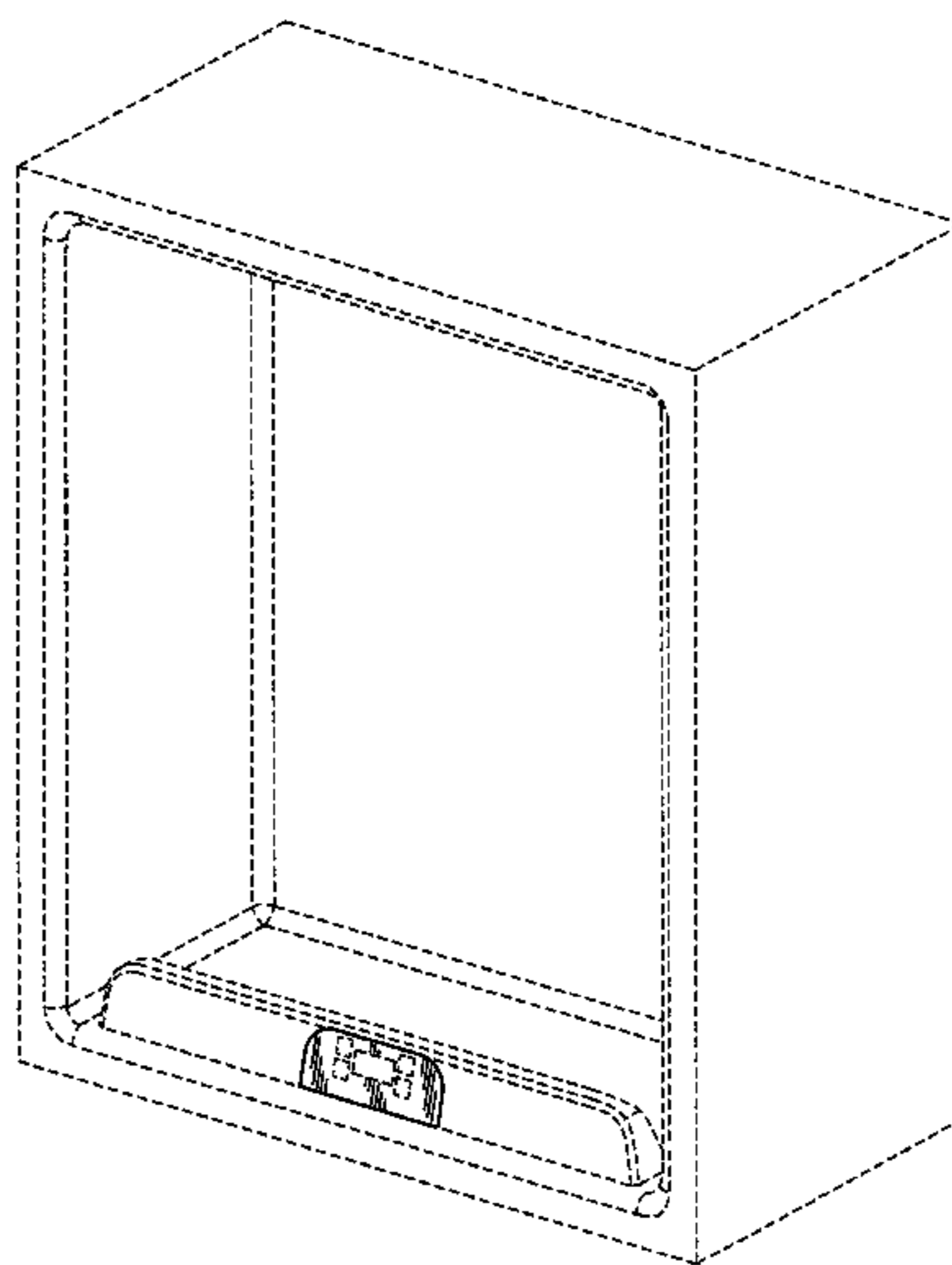
FIG. 3 is an enlarged front elevational view;

FIG. 4 is an enlarged top plan view thereof; and,

FIG. 5 is an enlarged right side elevational view thereof, the left side elevational view is a mirror image.

The broken lines shown in the drawing disclosure are for illustrative purposes only and form no part of the claimed design.

1 Claim, 4 Drawing Sheets



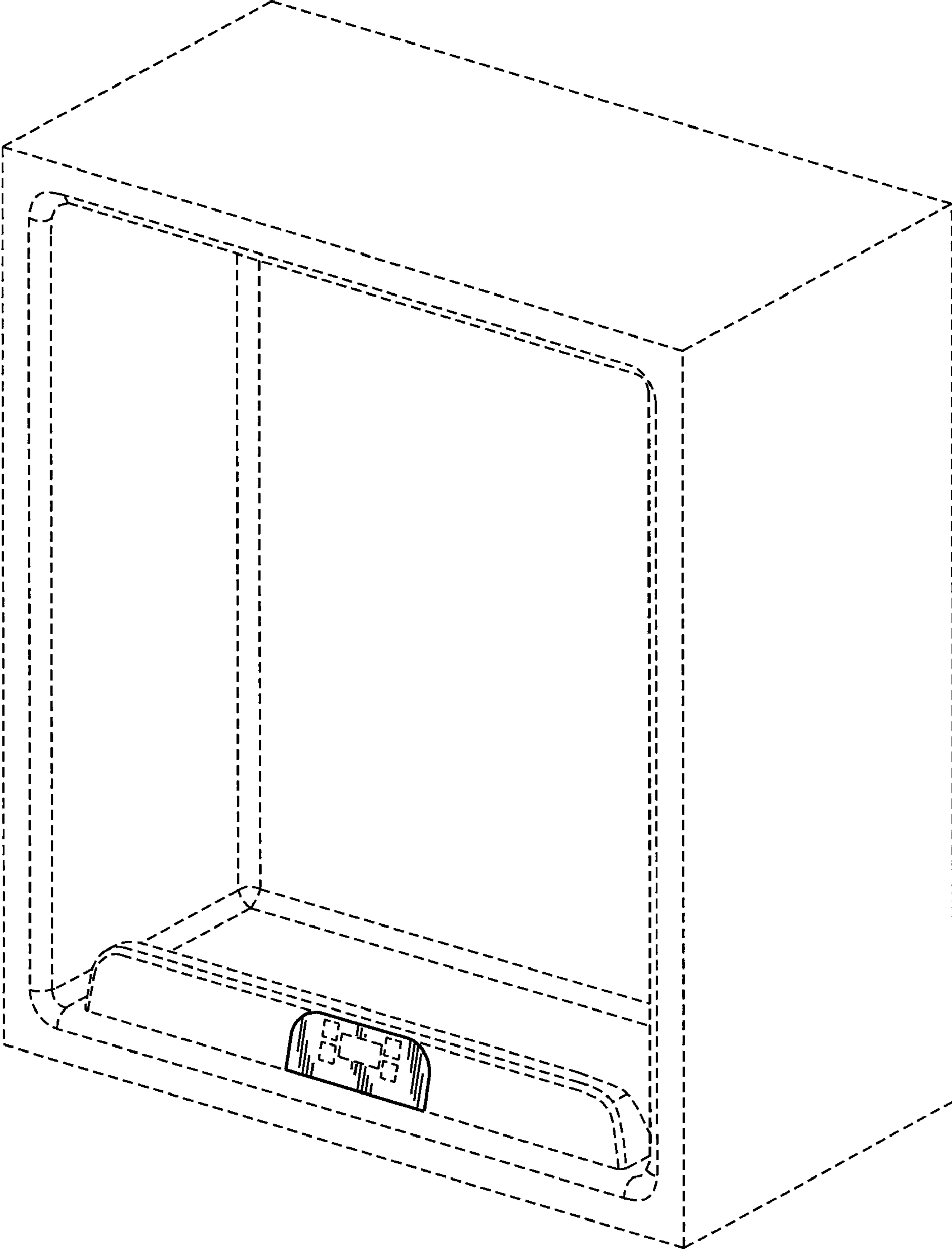


FIG. 1

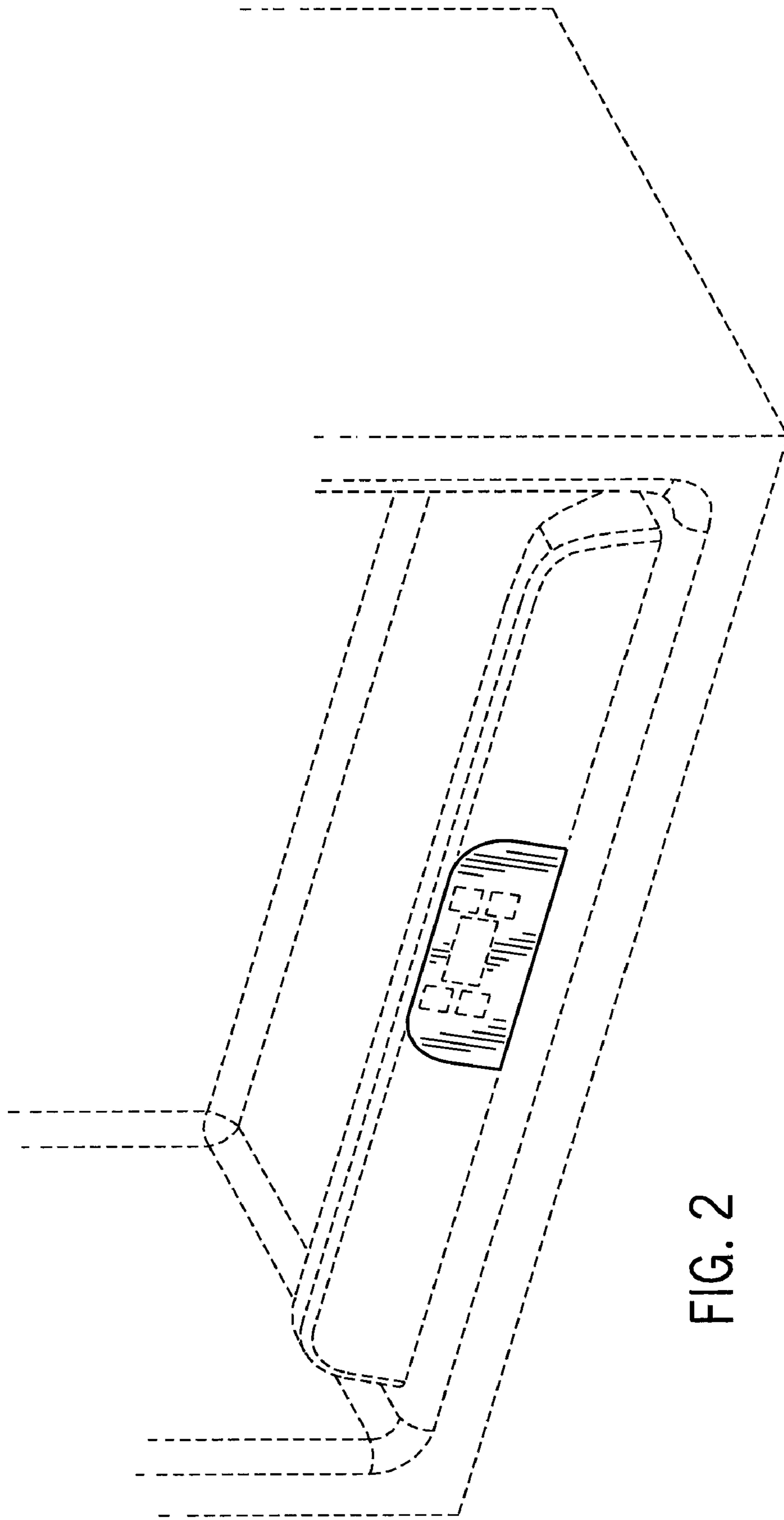


FIG. 2

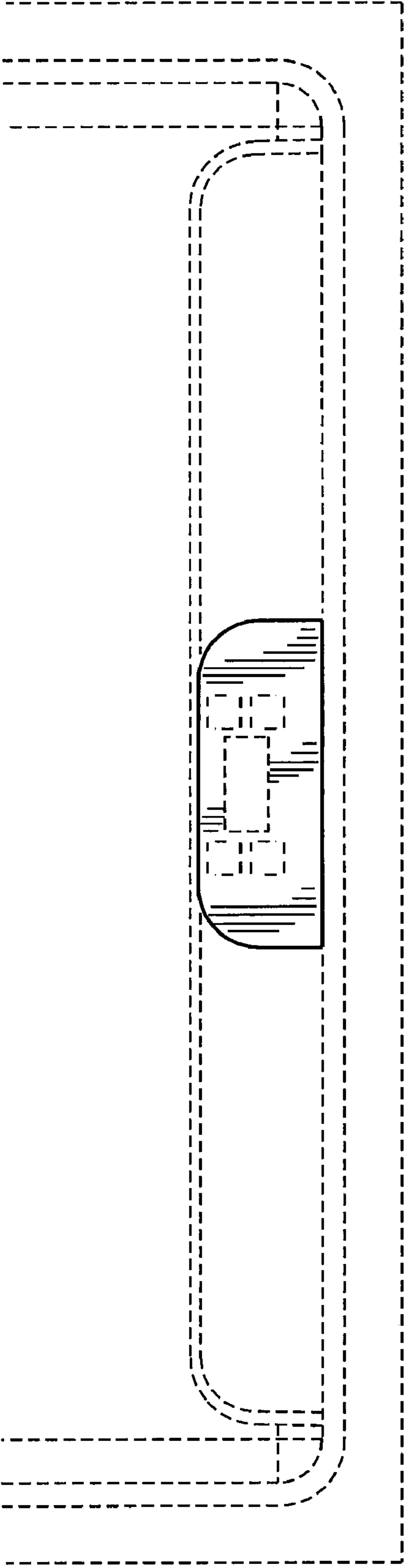


FIG. 3

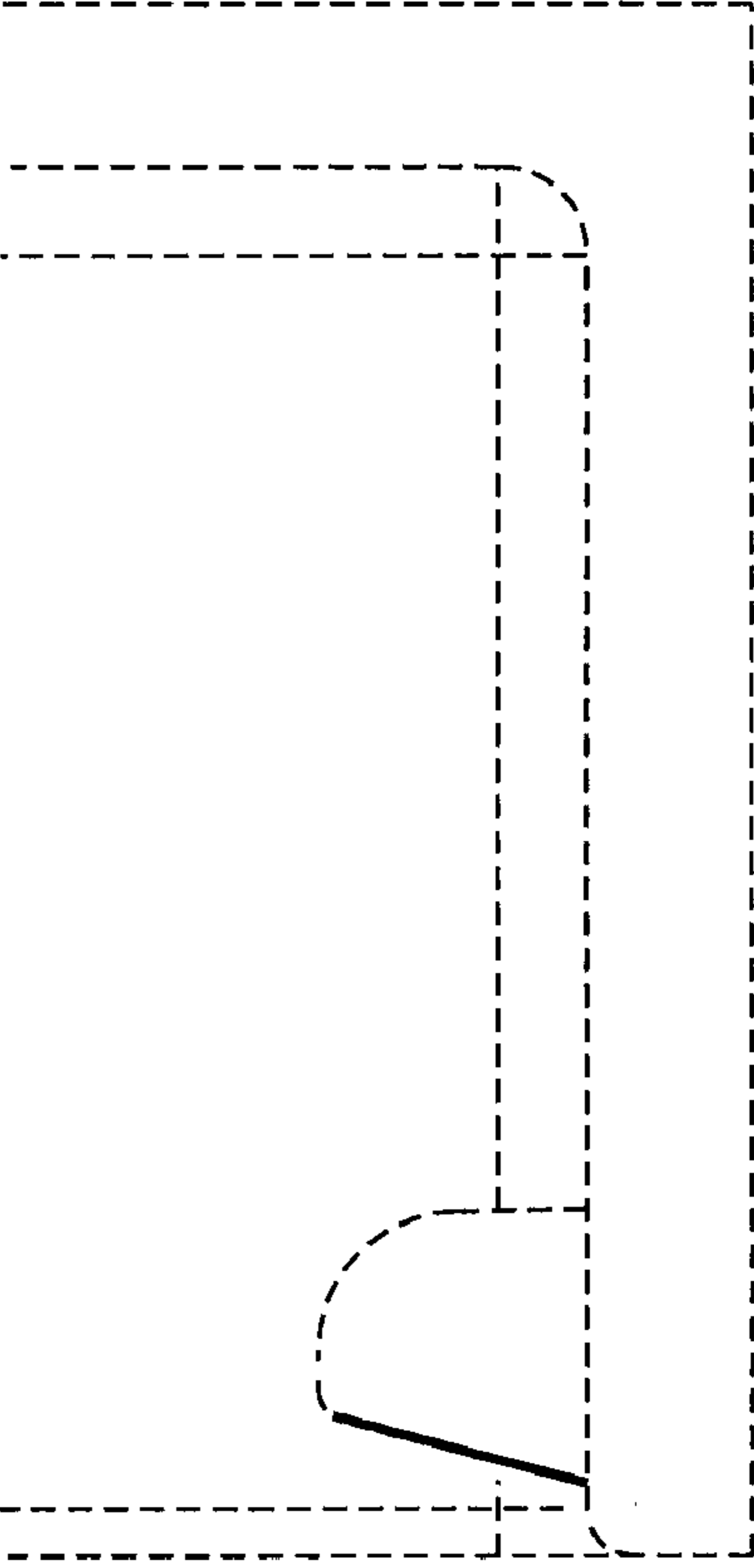


FIG. 5

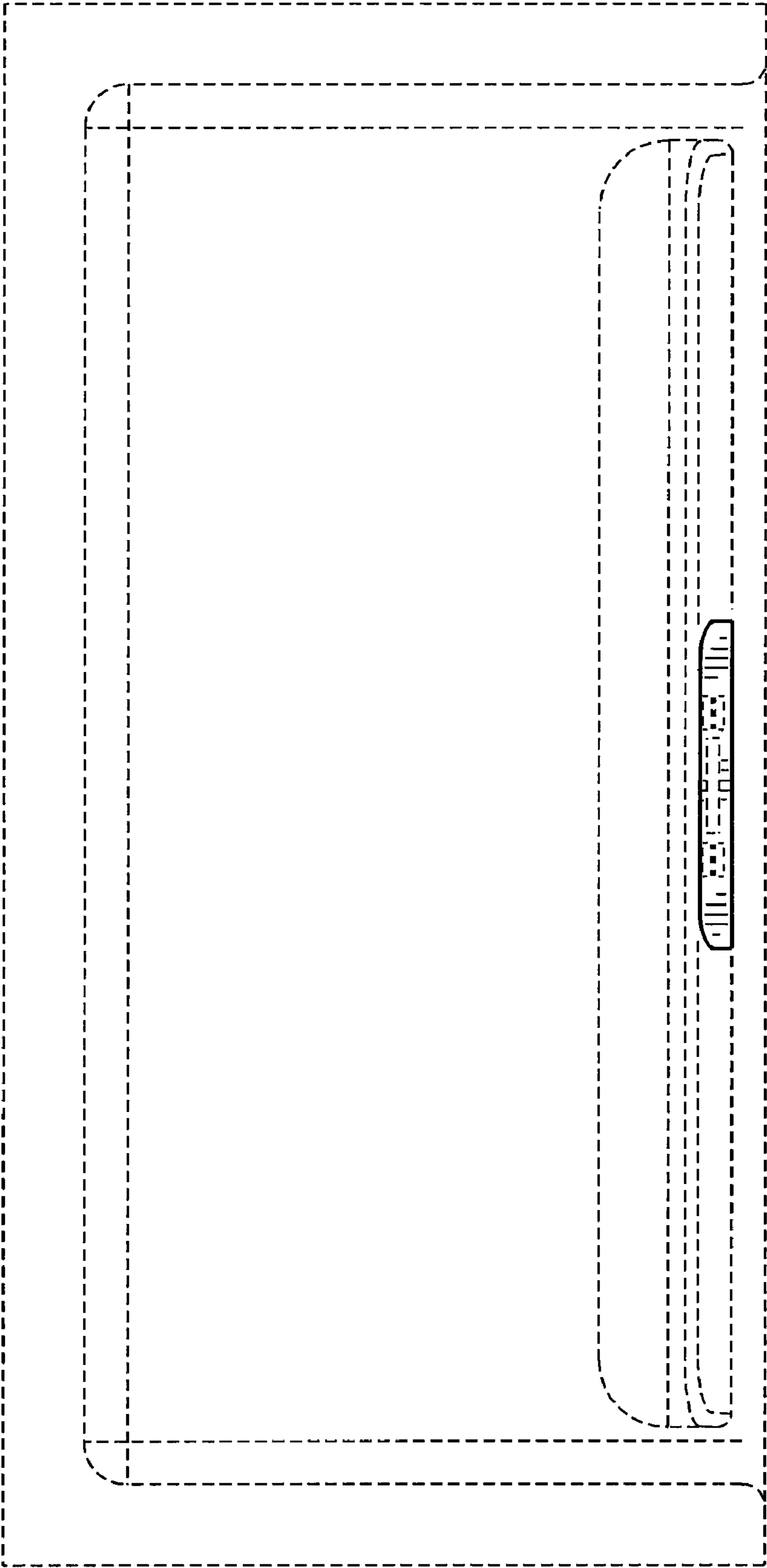


FIG. 4