

US00D570883S

(12) **United States Design Patent**
Ikeda

(10) **Patent No.:** **US D570,883 S**
(45) **Date of Patent:** **** Jun. 10, 2008**

(54) **REFRIGERATOR**

(75) Inventor: **Yasuhisa Ikeda**, Moriguchi (JP)

(73) Assignee: **Sanyo Electric Co., Ltd.**, Osaka (JP)

(**) Term: **14 Years**

(21) Appl. No.: **29/287,412**

(22) Filed: **Aug. 2, 2007**

(30) **Foreign Application Priority Data**

Feb. 23, 2007 (JP) 2007-004471
Feb. 23, 2007 (JP) 2007-004472

(51) **LOC (8) Cl.** **15-07**

(52) **U.S. Cl.** **D15/85**; D15/83; D15/84

(58) **Field of Classification Search** D15/79,
D15/81, 82, 83, 84, 85; 62/3.1, 3.6, 3.63,
62/3.64, 45.1, 236, 293, 331, 352, 371, 400-406,
62/440, 467, 529, 531; 312/236, 352, 400-408;
D21/524

See application file for complete search history.

(56) **References Cited**

U.S. PATENT DOCUMENTS

D308,212 S * 5/1990 Dallman D15/85

D449,843 S * 10/2001 Kim D15/81
D493,473 S * 7/2004 Kim et al. D15/86
D507,584 S * 7/2005 Kim et al. D15/83
D548,249 S * 8/2007 Okamoto et al. D15/84

* cited by examiner

Primary Examiner—Stella M. Reid
Assistant Examiner—Shanda C. Hill
(74) *Attorney, Agent, or Firm*—Rabin & Berdo, PC

(57) **CLAIM**

The ornamental design for a refrigerator, as shown and described.

DESCRIPTION

FIG. 1 is a perspective view of a refrigerator showing my new design;

FIG. 2 is a front elevation view of FIG. 1;

FIG. 3 is a rear elevation view of FIG. 1;

FIG. 4 is a top plan view of FIG. 1;

FIG. 5 is a bottom plan view of FIG. 1;

FIG. 6 is a right side elevation view of FIG. 1; and,

FIG. 7 is a left side elevation view of FIG. 1.

1 Claim, 3 Drawing Sheets

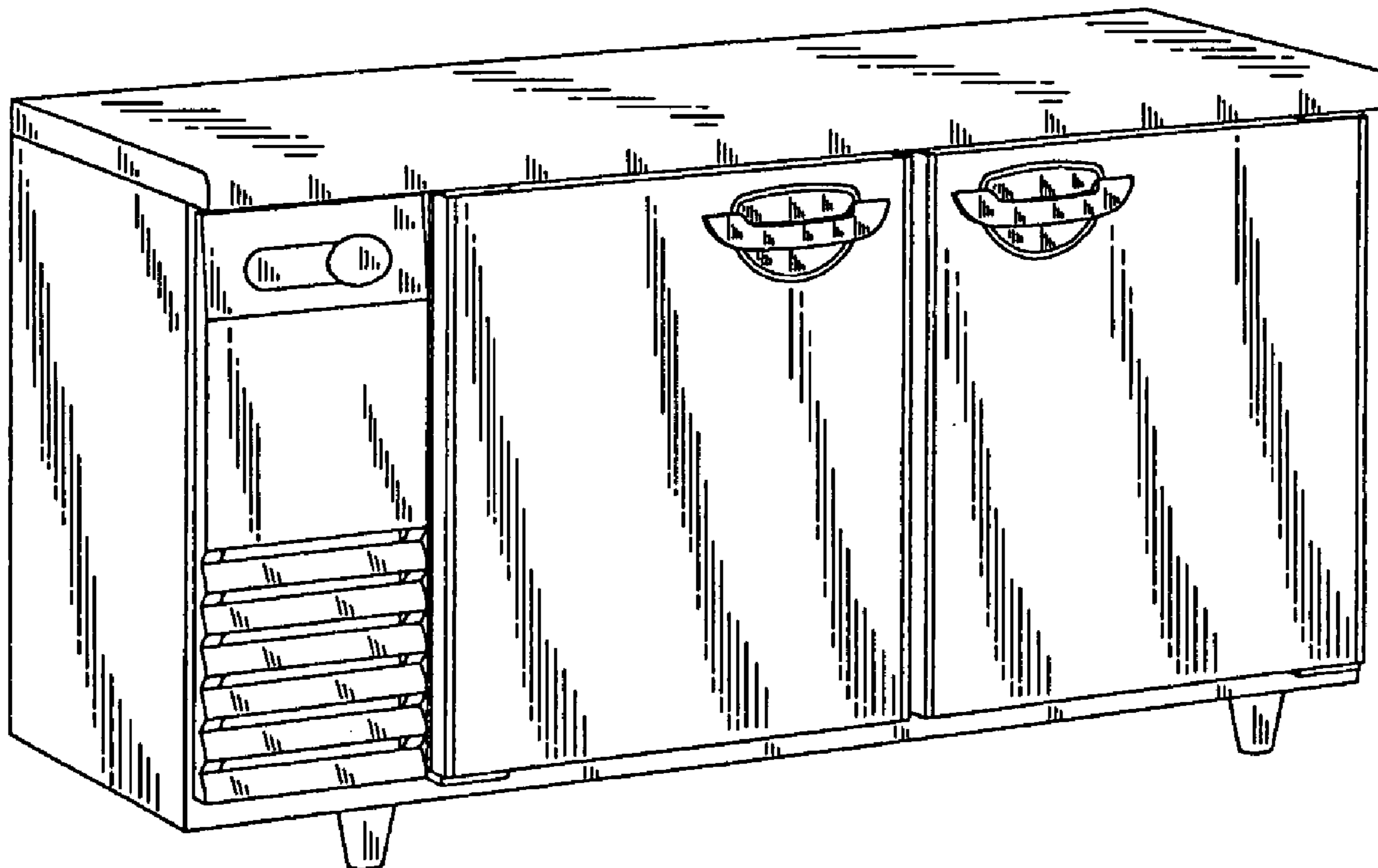


FIG. 1

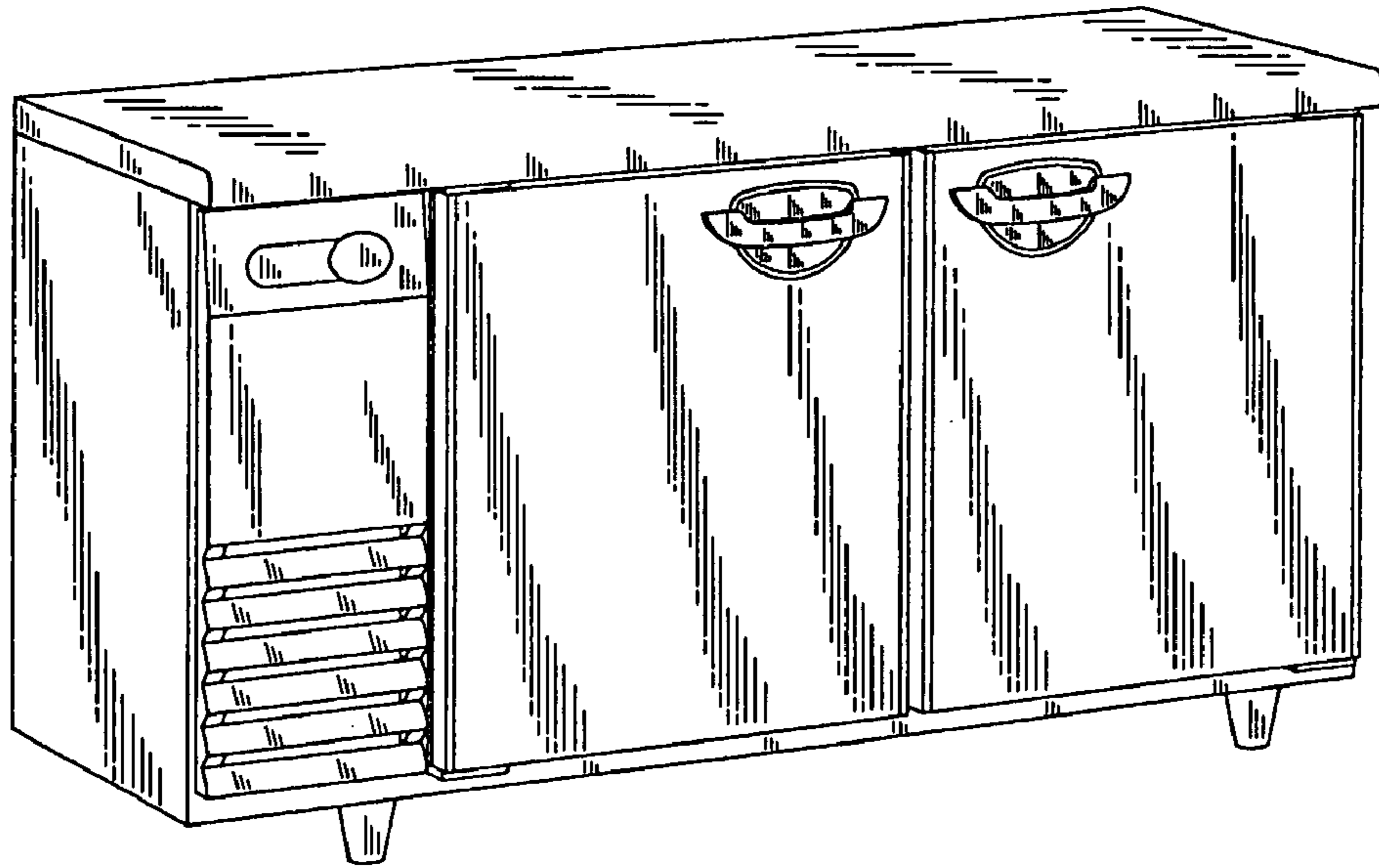


FIG. 2

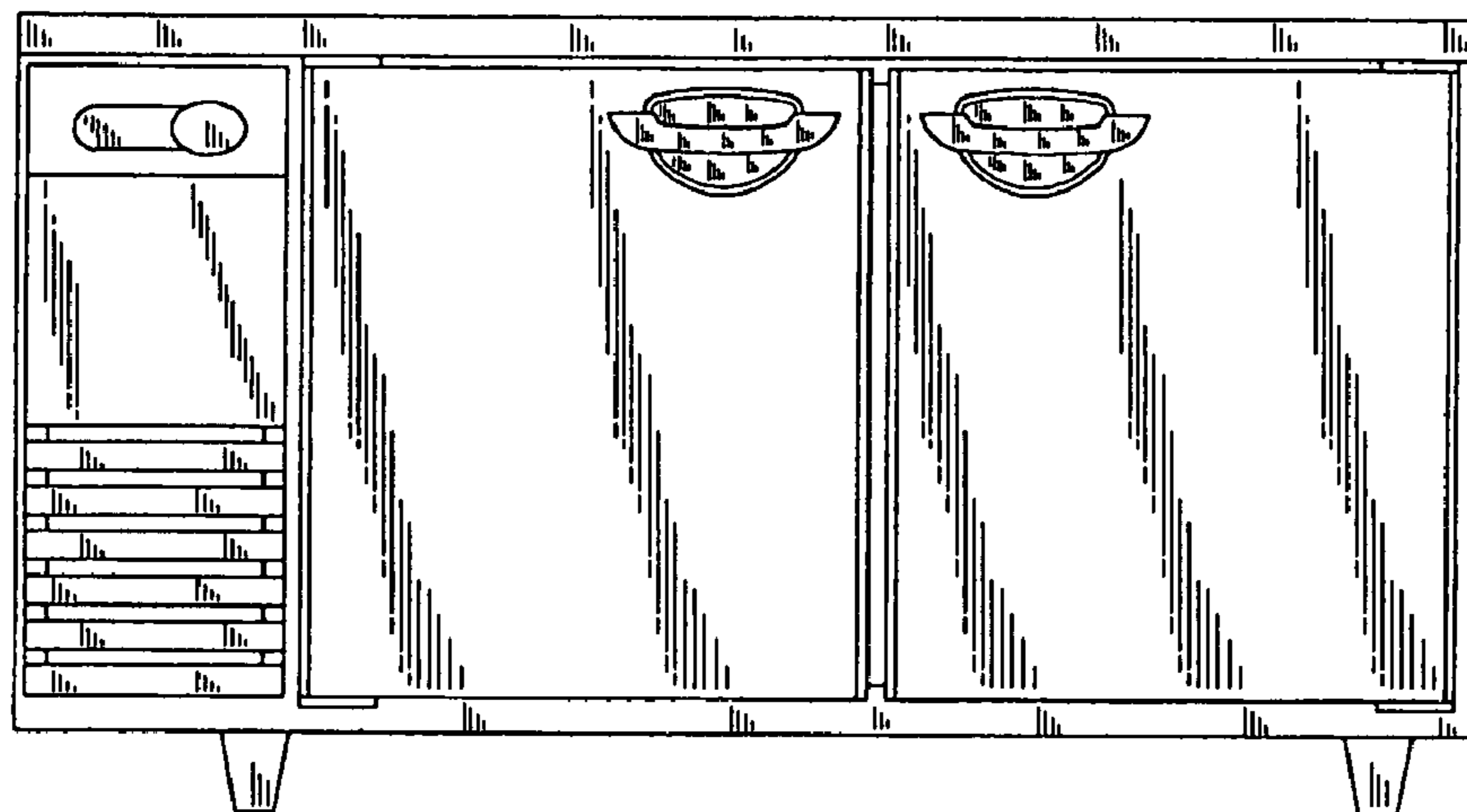


FIG. 3

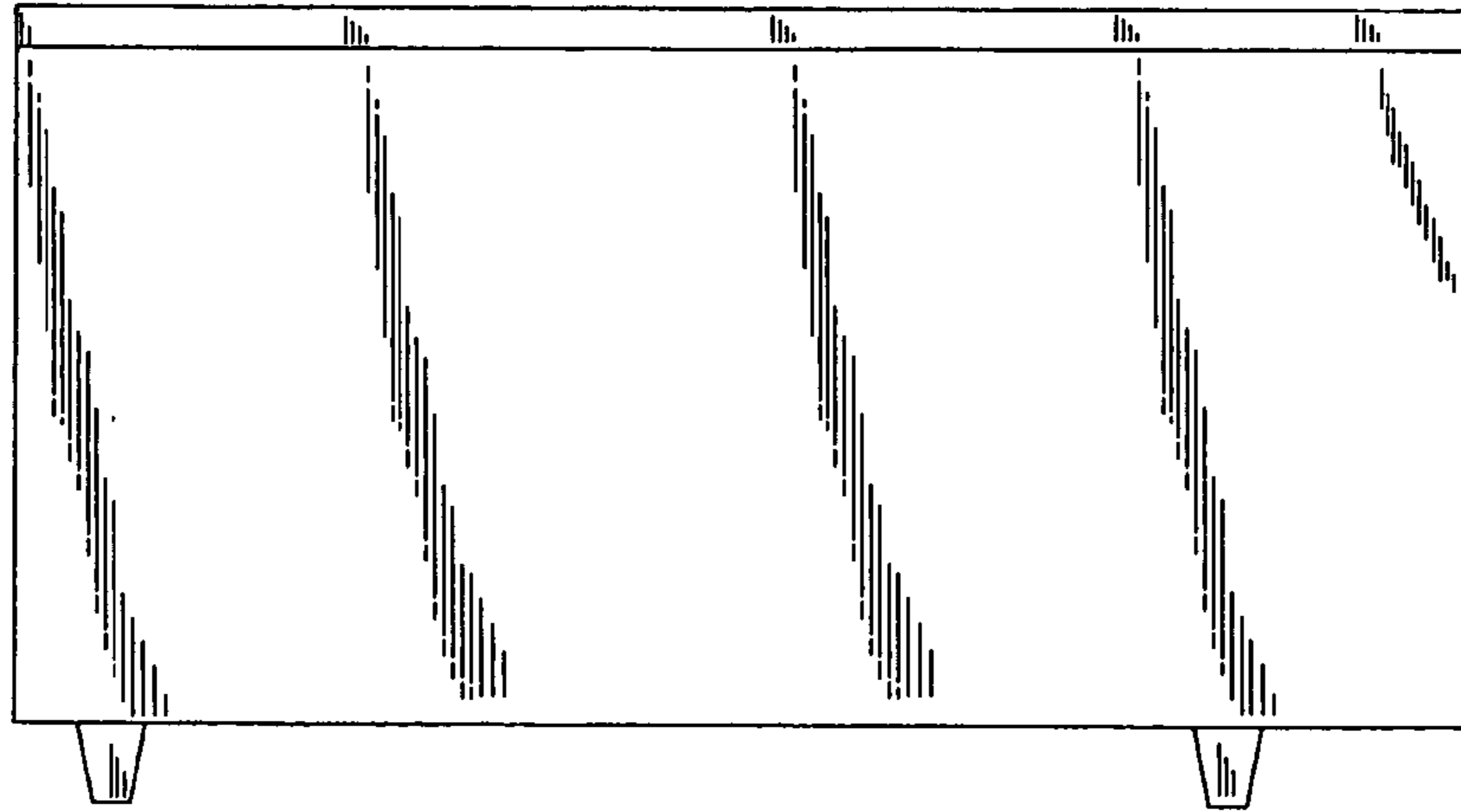


FIG. 4

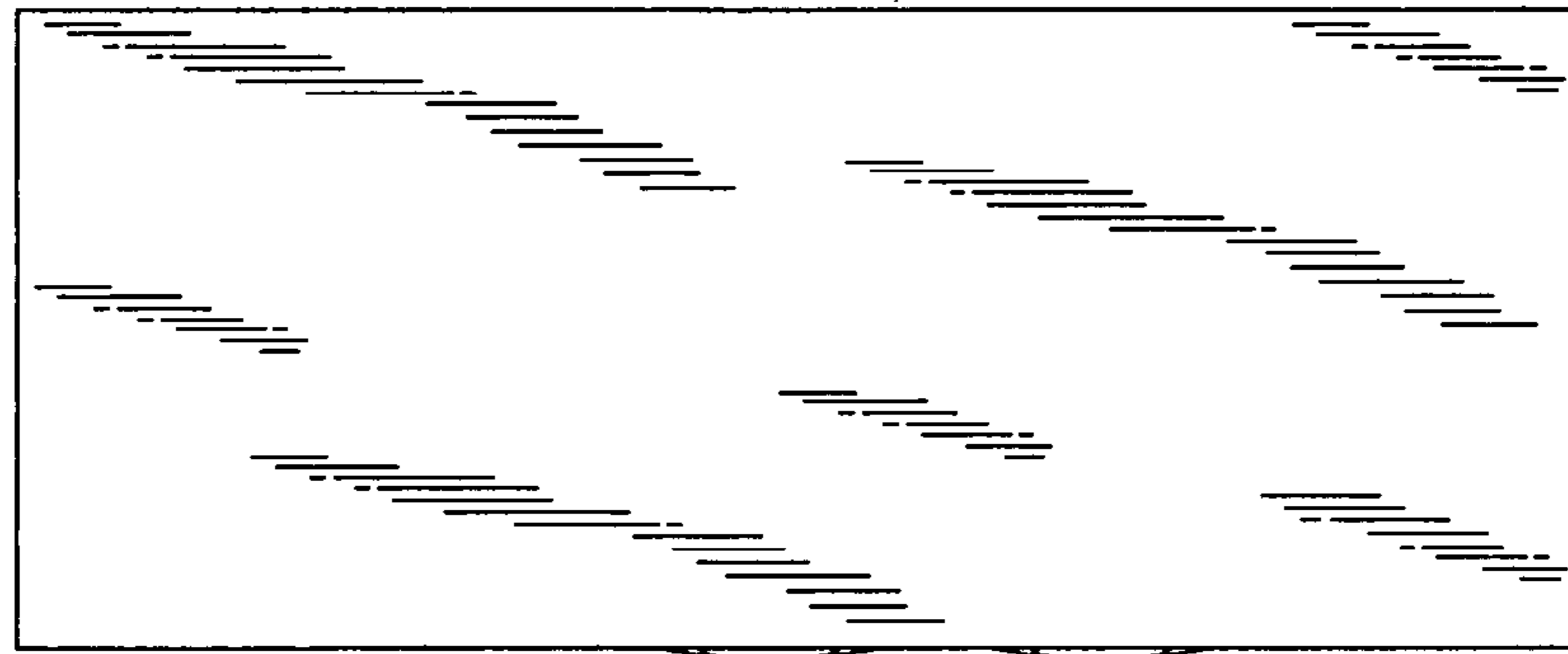


FIG. 5

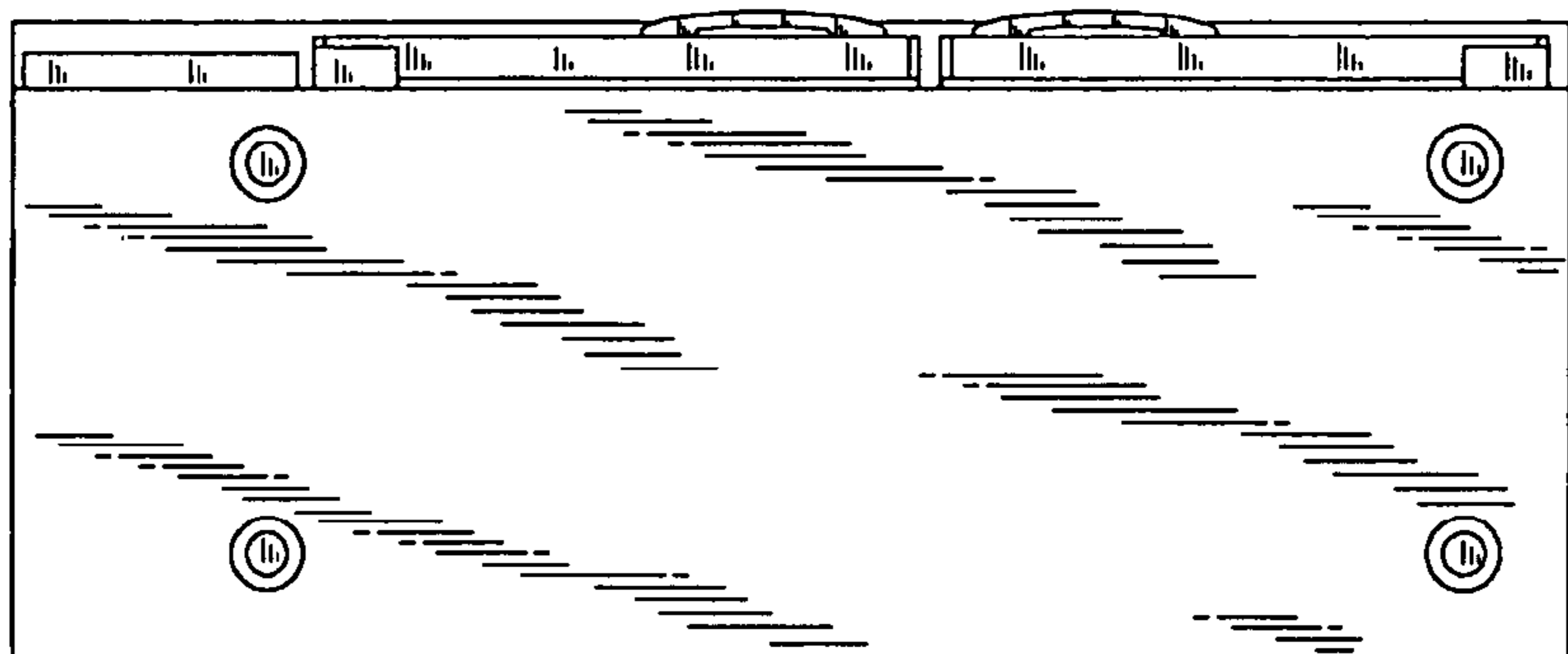


FIG. 6

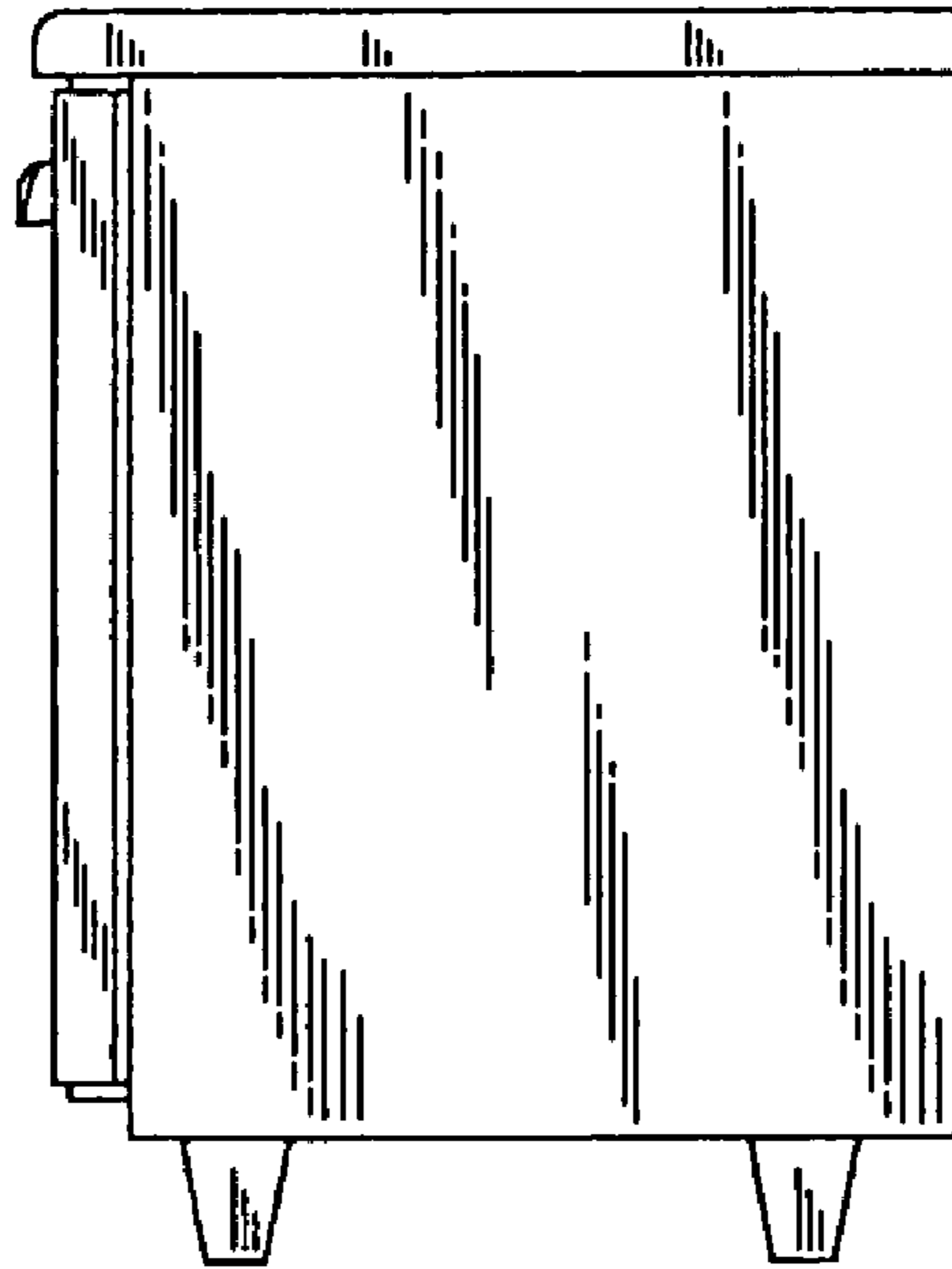


FIG. 7

