

US00D570882S

(12) **United States Design Patent**
Lee

(10) **Patent No.:** **US D570,882 S**
(45) **Date of Patent:** **** Jun. 10, 2008**

(54) **EMBROIDERY MACHINE**

D492,702 S * 7/2004 Suwa et al. D15/66
D521,027 S * 5/2006 Hosoi D15/66

(75) Inventor: **Hyung Woo Lee**, Incheon (KR)

* cited by examiner

(73) Assignee: **Sunstar Precision Co. Ltd.**, Incheon (KR)

Primary Examiner—Stella M. Reid
Assistant Examiner—Shanda C. Hill

(**) Term: **14 Years**

(74) *Attorney, Agent, or Firm*—Greenblum & Bernstein, P.L.C.

(21) Appl. No.: **29/218,995**

(57) **CLAIM**

(22) Filed: **Dec. 13, 2004**

I claim the ornamental design for an embroidery machine, as shown and described.

(30) **Foreign Application Priority Data**

DESCRIPTION

Jun. 11, 2004 (KR) 30-2004-0017479

(51) **LOC (8) Cl.** **15-06**

FIG. 1 is a perspective view of an embroidery machine, showing my new design;

(52) **U.S. Cl.** **D15/66**

FIG. 2 is a front elevational view of the embodiment of FIG. 1.

(58) **Field of Classification Search** D15/66,
D15/67, 69, 70; 112/1, 2, 78, 122, 154, 256,
112/270, 286; 312/208.5; 206/320

FIG. 3 is a rear elevational view of the embodiment of FIG. 1;

See application file for complete search history.

FIG. 4 is a left side elevational view of the embodiment of FIG. 1;

(56) **References Cited**

FIG. 5 is a right side elevational view of the embodiment of FIG. 1;

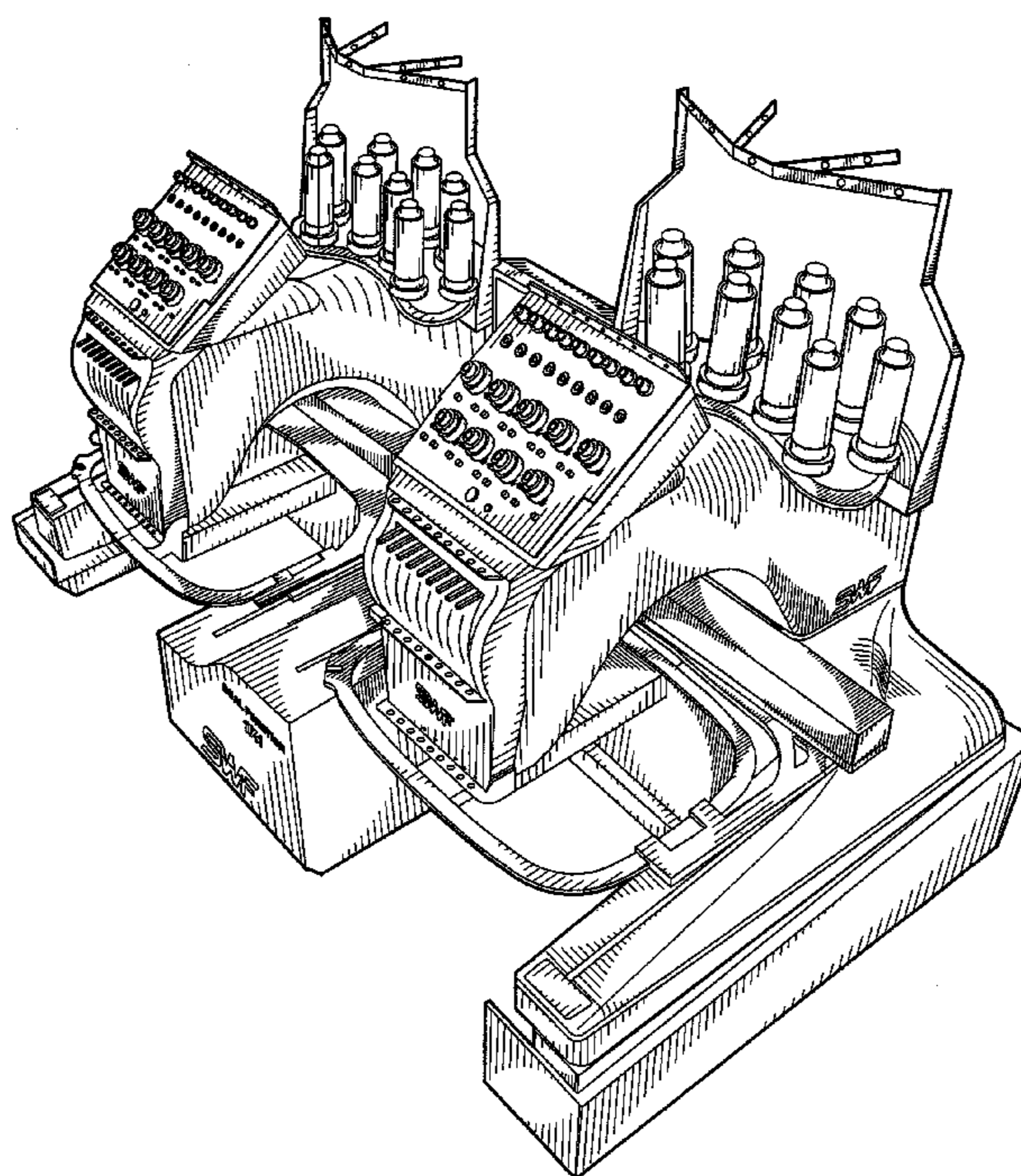
U.S. PATENT DOCUMENTS

- 2,762,324 A * 9/1956 Hess 112/256
- 4,328,758 A * 5/1982 Souza et al. 112/286
- D278,823 S * 5/1985 Yoneda D15/69
- D292,928 S * 11/1987 Lo D15/69
- 4,718,364 A * 1/1988 Kessler 112/122
- D311,745 S * 10/1990 Wieland D15/66
- D338,021 S * 8/1993 Uchida D15/69
- D338,022 S * 8/1993 Takada et al. D15/69
- D382,281 S * 8/1997 Takada et al. D15/69
- D416,027 S * 11/1999 Ueyama D15/69
- D466,136 S * 11/2002 Lin D15/69

FIG. 6 is a top plan view of the embodiment of FIG. 1; and,
FIG. 7 is a bottom plan view of the embodiment of FIG. 1.

The embroidery machine of the present design has a step-typed and streamlined curved surface, and has two heads and two embroidery-frames having different heights. The machine may be made of synthetic resin and metal.

1 Claim, 7 Drawing Sheets



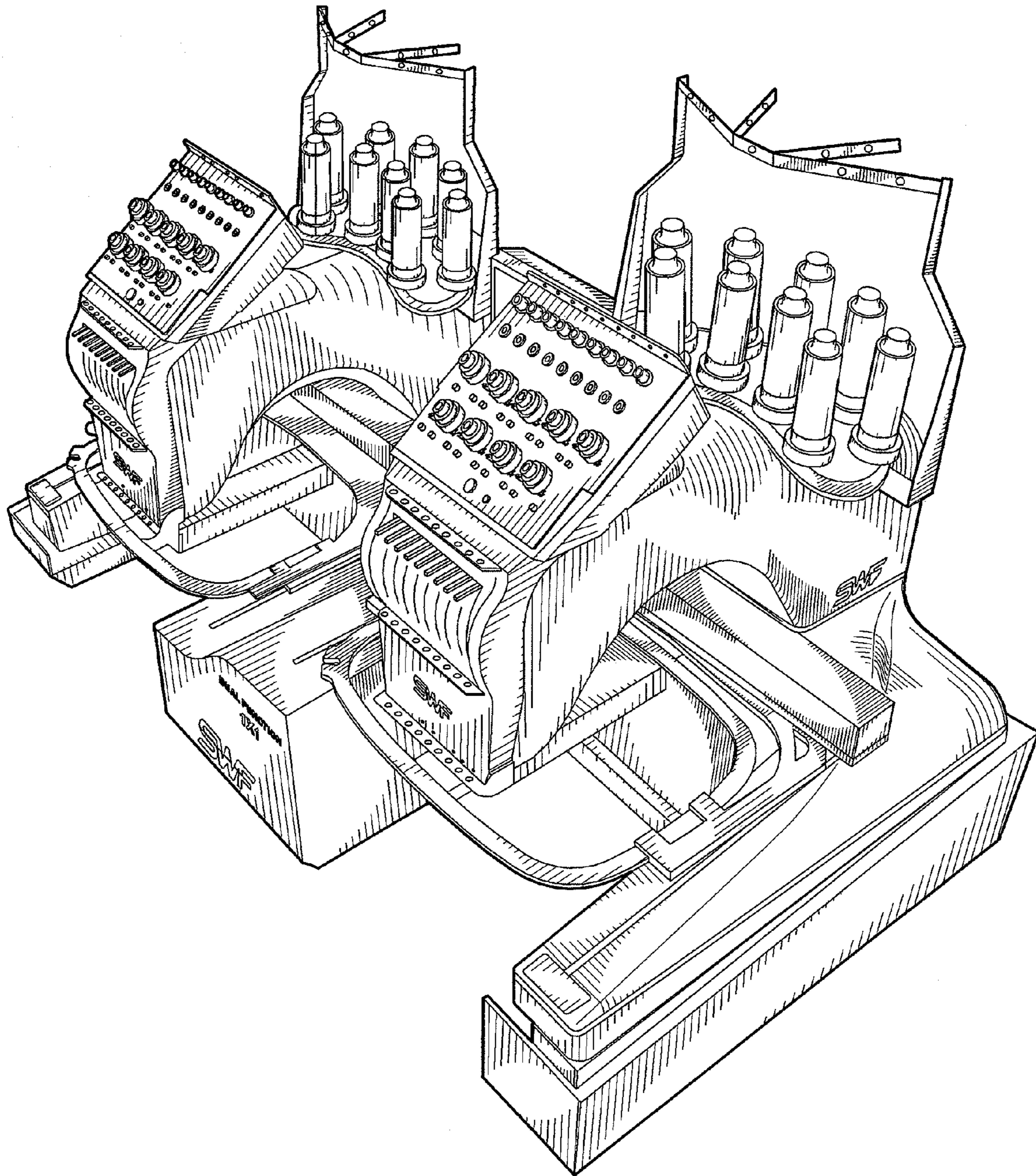


Figure 1

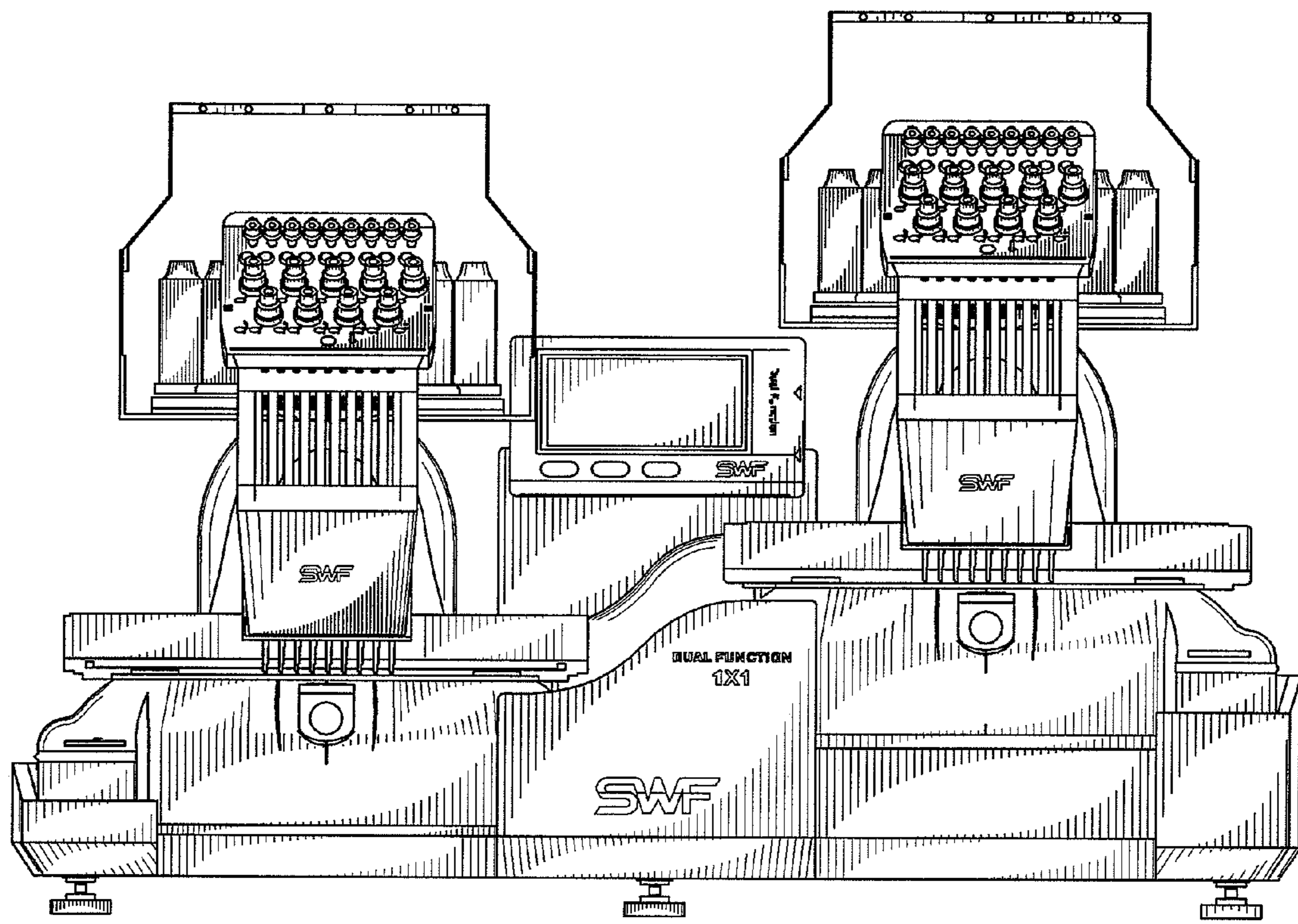


Figure 2

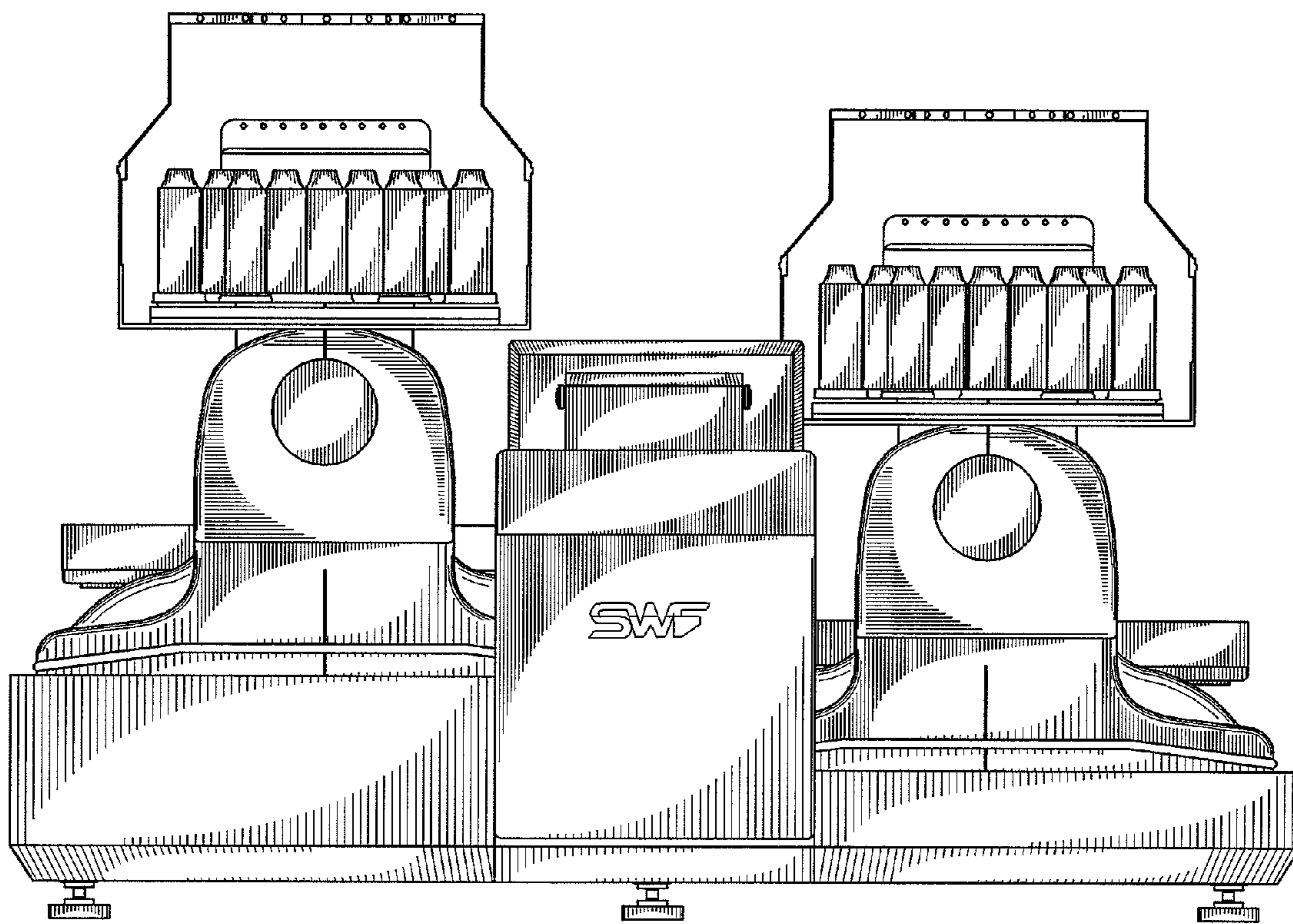


Figure 3

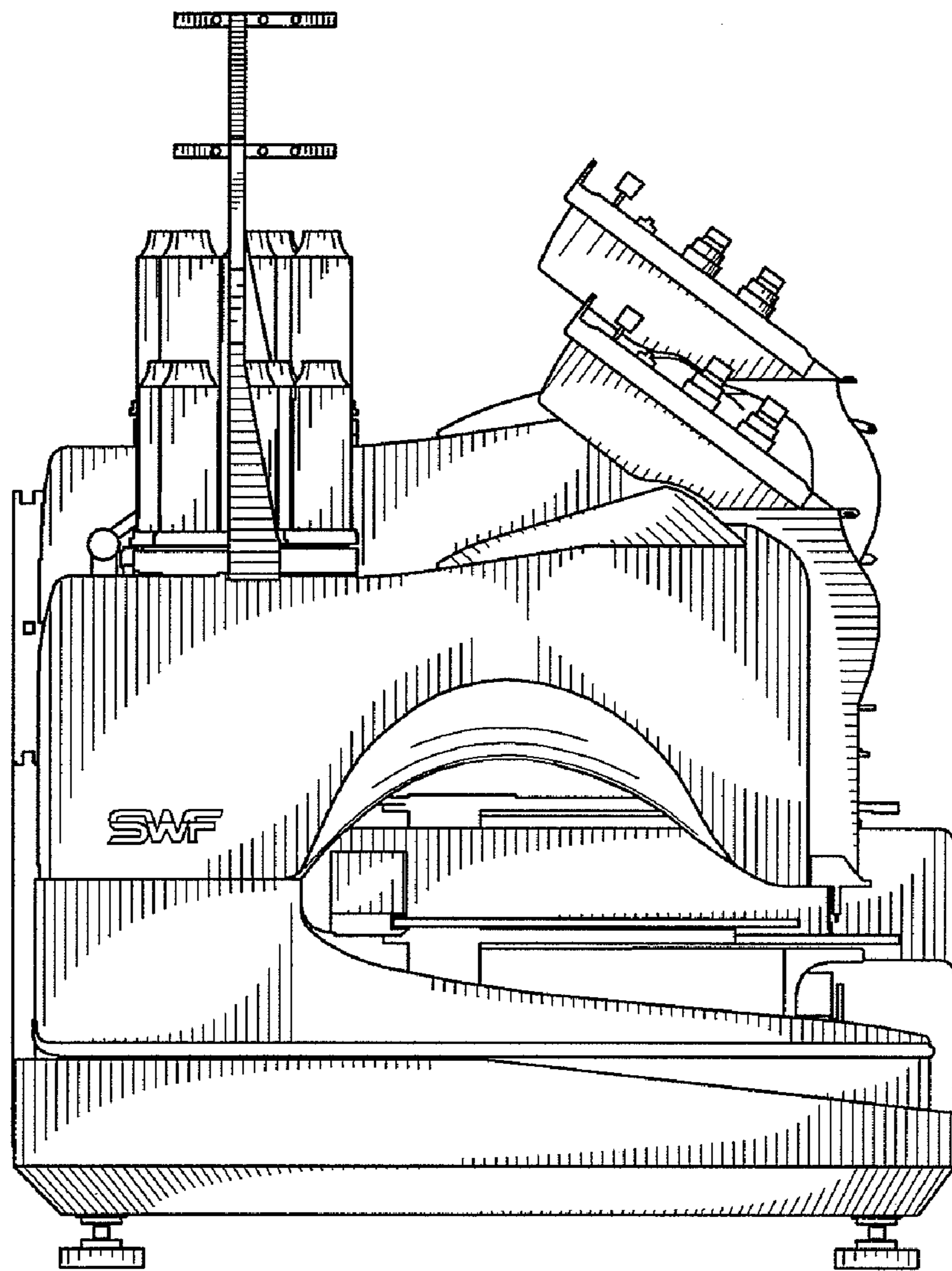


Figure 4

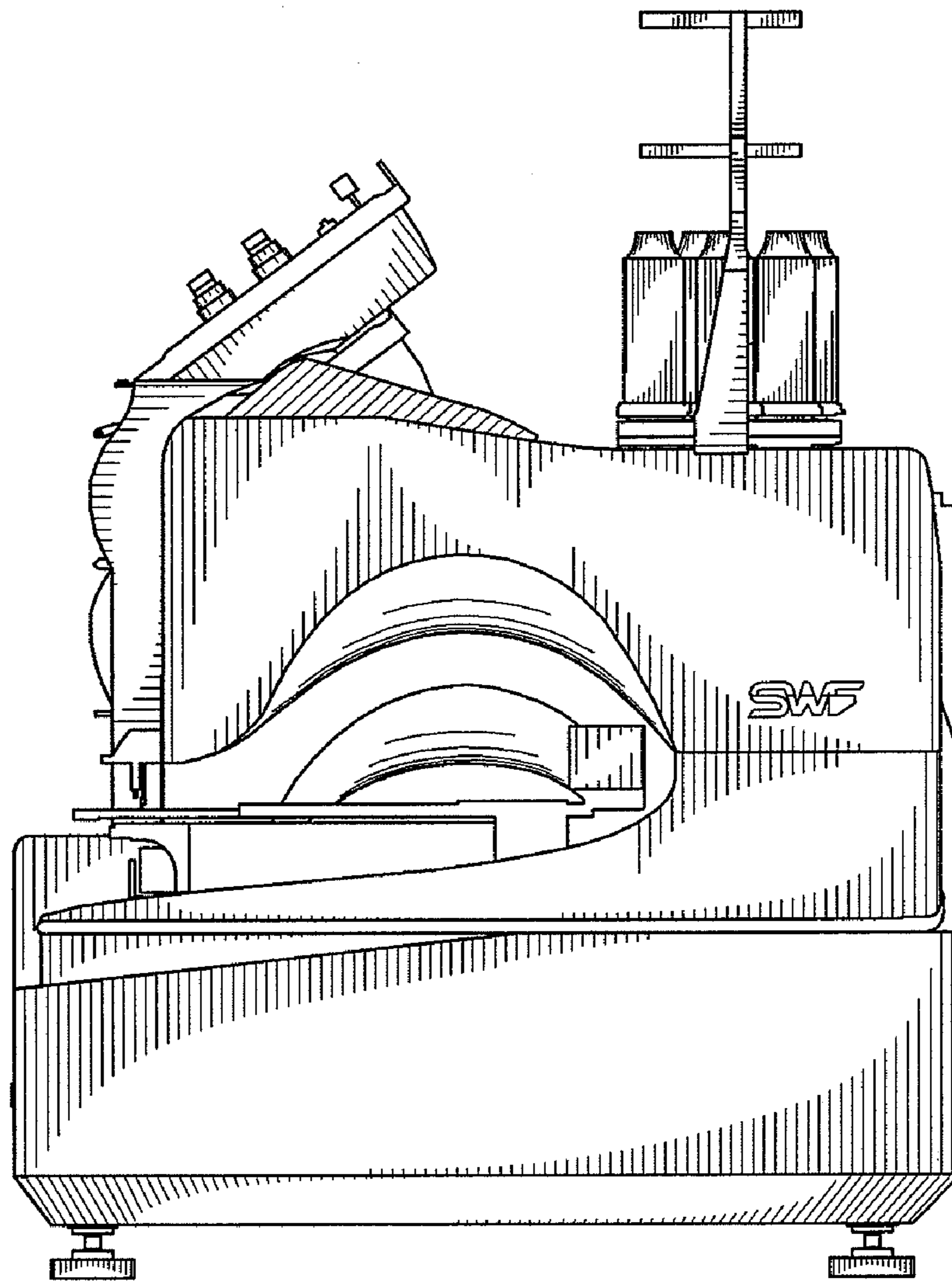


Figure 5

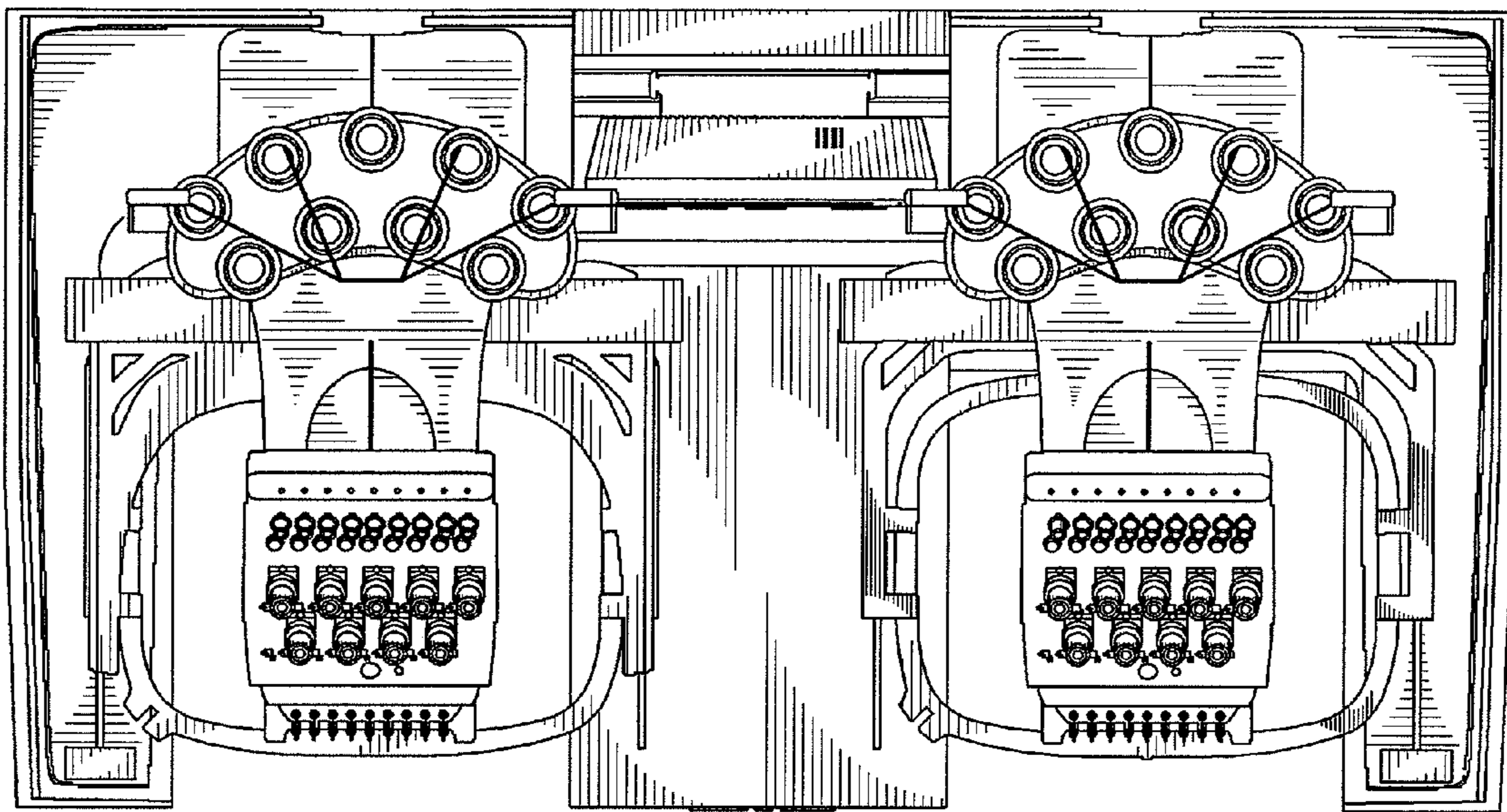


Figure 6

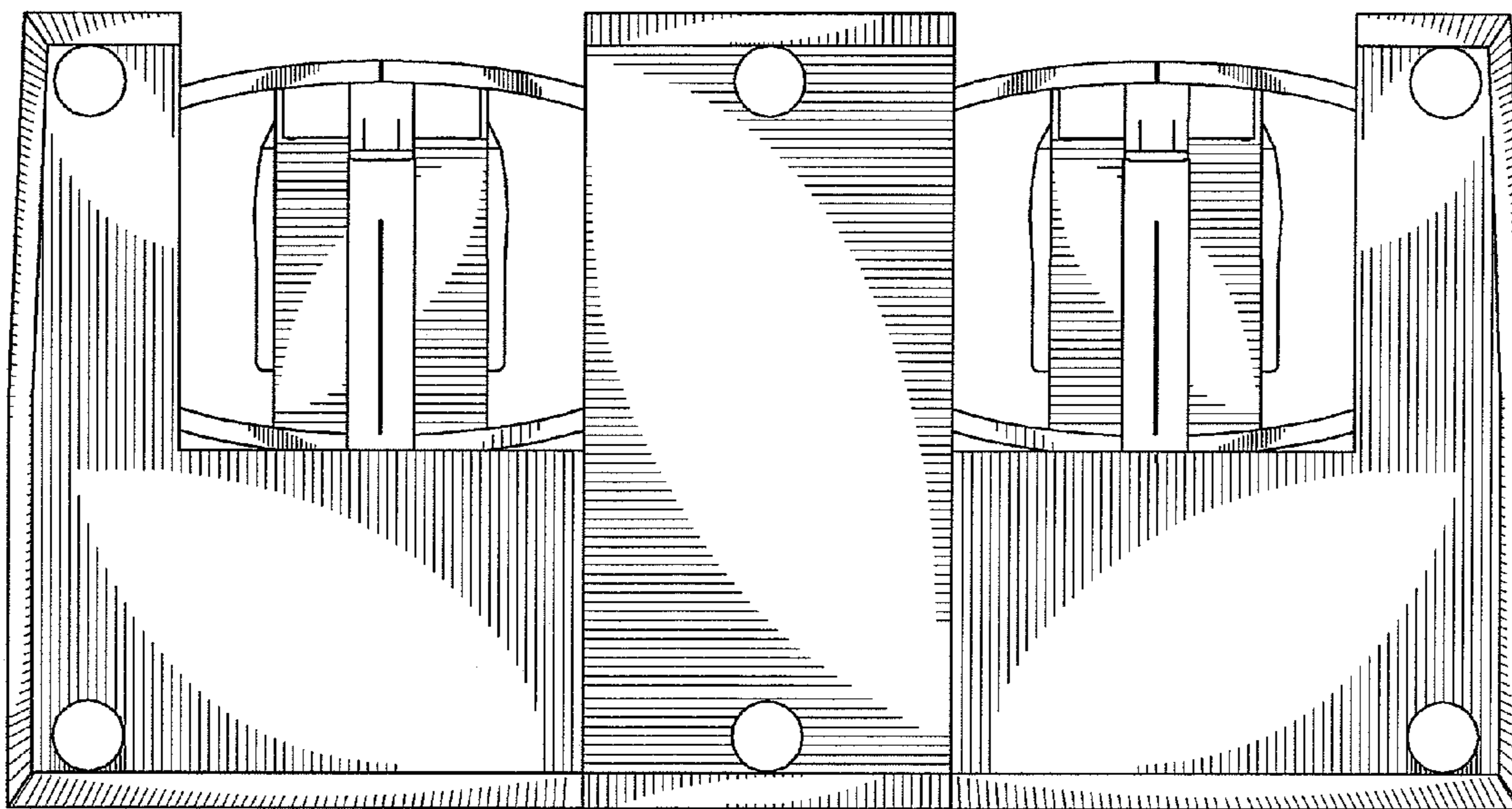


Figure 7