

US00D570879S

(12) **United States Design Patent**  
**Glass et al.**

(10) **Patent No.:** **US D570,879 S**  
(45) **Date of Patent:** **\*\* Jun. 10, 2008**

(54) **MUFFLER HOUSING**

D353,381 S 12/1994 Yoshida et al.

(75) Inventors: **Douglas Lloyd Glass**, Greenville, SC  
(US); **Chad Eric James**, Tryon, NC  
(US)

(Continued)

(73) Assignee: **Onihr Manufacturing SRL**, St. James,  
West Indies (BB)

*Primary Examiner*—Ian Simmons  
*Assistant Examiner*—Wan Laymon  
(74) *Attorney, Agent, or Firm*—Alston & Bird LLP

(\*\*) Term: **14 Years**

(57) **CLAIM**

(21) Appl. No.: **29/275,788**

The ornamental design for a muffler housing, as shown and described.

(22) Filed: **Jan. 5, 2007**

(51) **LOC (8) Cl.** ..... **15-01**

**DESCRIPTION**

(52) **U.S. Cl.** ..... **D15/5; D15/1**

(58) **Field of Classification Search** ..... D15/1-5,  
D15/149, 14, 16-17; 74/606 R; 123/41.7,  
123/56, 306, 308, 661, 667, 41.66-41.67,  
123/657, 50 A-50 B, 50 R, 51 R, 51 A,  
123/195 C, 198 E, 41.01, 41.09, 70 R; 181/212,  
181/227-228, 241, 272-273

See application file for complete search history.

(56) **References Cited**

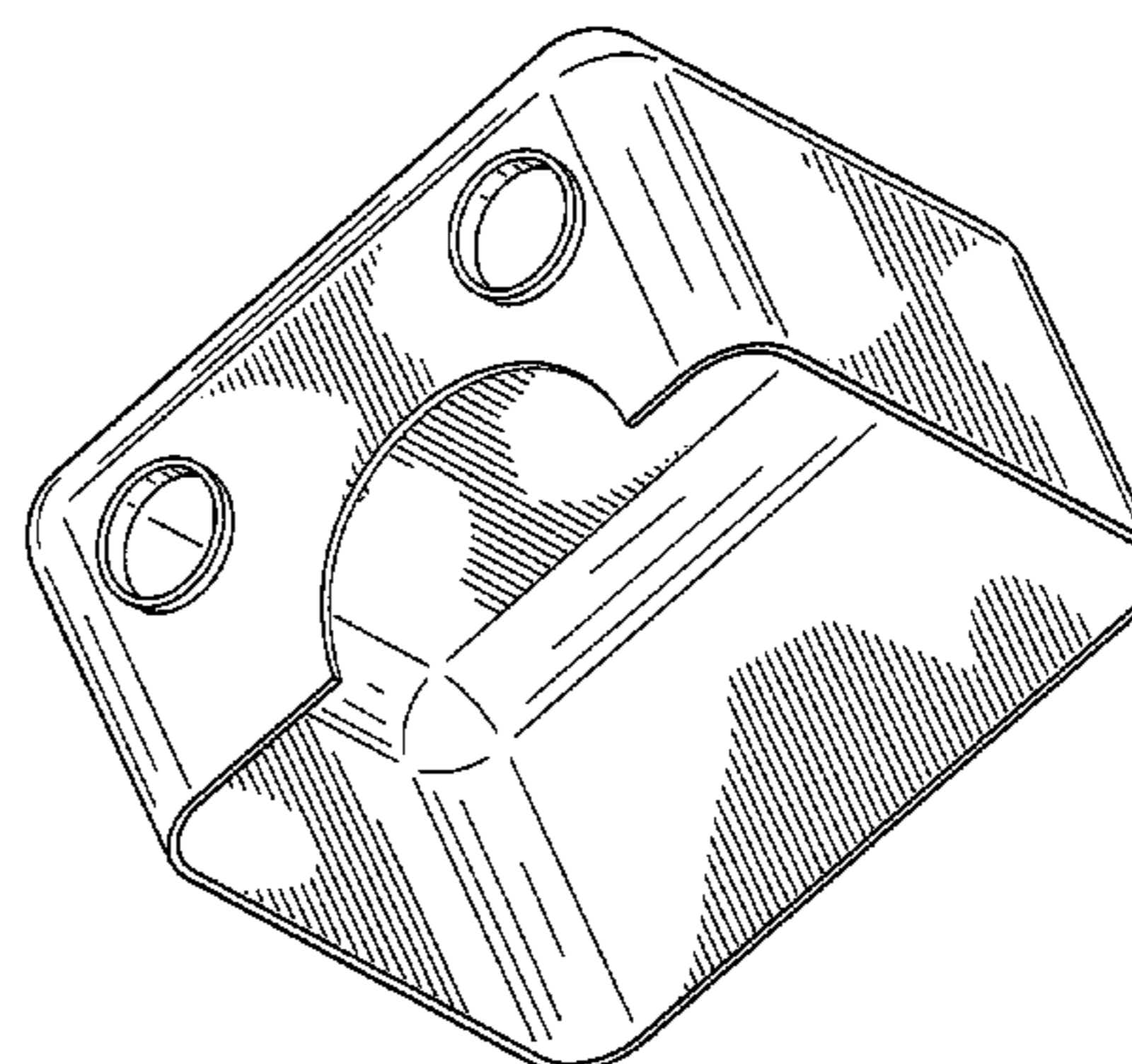
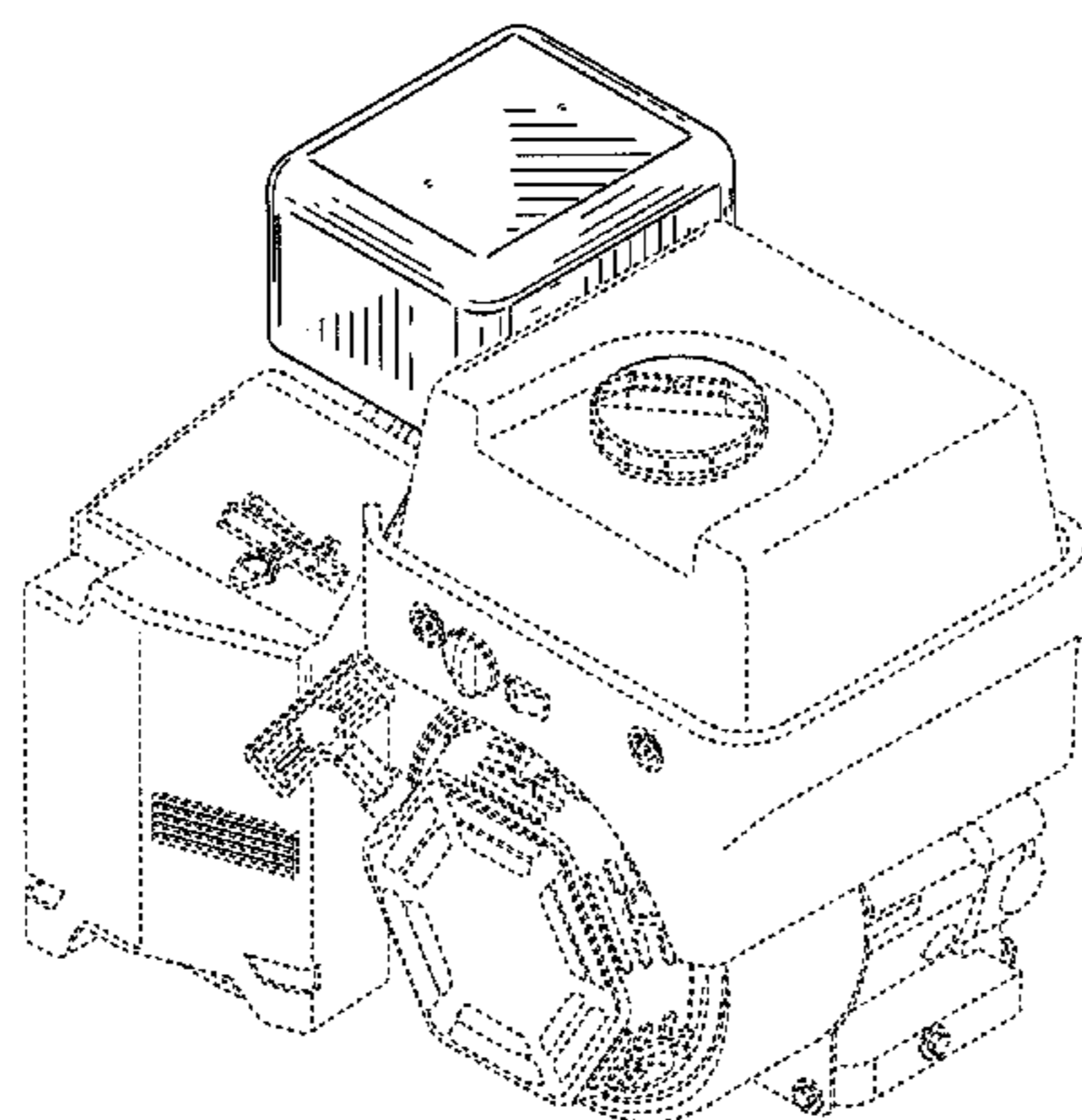
**U.S. PATENT DOCUMENTS**

D173,072 S *	9/1954	Lechtenberg et al. ....	D15/1
D257,844 S	1/1981	Stevens	
D282,071 S	1/1986	Nakamura	
D294,832 S	3/1988	Itou et al.	
4,813,385 A	3/1989	Yamaguchi et al.	
D305,432 S	1/1990	Hashigaki	
D307,147 S	4/1990	Sasaki et al.	
D307,148 S	4/1990	Mikado	
D308,871 S	6/1990	Harkness et al.	
D308,872 S	6/1990	Harkness et al.	
D309,457 S	7/1990	Eifert et al.	
D309,458 S	7/1990	Johnson et al.	
5,072,627 A	12/1991	Horiye et al.	
D330,897 S	11/1992	Carlson et al.	
D331,929 S	12/1992	Leaf et al.	
5,197,426 A	3/1993	Frangesch et al.	
D342,076 S	12/1993	Heismann	
D343,843 S	2/1994	Mikado	

FIG. 1 is a perspective of a muffler housing showing our new design, the broken lines shown of a engine is for illustrative purposes only and form no part of the claimed design;  
FIG. 2 is a right side elevation view thereof;  
FIG. 3 is a bottom plan view view thereof;  
FIG. 4 is a front plan view thereof;  
FIG. 5 is a rear plan view thereof;  
FIG. 6 is a left side elevation view thereof;  
FIG. 7 is a top plan view thereof;  
FIG. 8 is a enlarged perspective view of a muffler housing according to our new design;  
FIG. 9 is an enlarged right side elevation view thereof;  
FIG. 10 is an enlarged bottom plan view view thereof;  
FIG. 11 is an enlarged front plan view thereof;  
FIG. 12 is an enlarged rear plan view thereof;  
FIG. 13 is an enlarged left side elevation view thereof; and  
FIG. 14 is an enlarged top plan view thereof; and,  
FIG. 15 is a bottom perspective view thereof.

The broken lines shown in FIGS. 8, 10 and 14 are for illustrative purposes only and form no part of the claimed design invention.

**1 Claim, 15 Drawing Sheets**



# US D570,879 S

Page 2

## U.S. PATENT DOCUMENTS

D367,070 S	2/1996	Maeda et al.	D475,065 S	5/2003	Shimizu et al.
D392,647 S	3/1998	Ueda et al.	D478,042 S	8/2003	Yaguchi et al.
D396,045 S	7/1998	Neeley	D479,244 S	9/2003	Kern et al.
D396,476 S	7/1998	Shimizu	D481,042 S	10/2003	Yuzuriha et al.
D397,342 S	8/1998	Shimizu	D481,043 S	10/2003	Yuzuriha et al.
D398,010 S	9/1998	Yoshida et al.	D488,167 S	4/2004	Momoi
D406,146 S	2/1999	Kobayashi	D491,192 S	6/2004	Davis
D414,498 S	9/1999	Yoshida	D491,193 S	6/2004	Davis
D417,675 S	12/1999	Yaguchi et al.	D493,806 S	8/2004	Csiki
D421,024 S	2/2000	Kato	D503,722 S	4/2005	Stenz et al.
D441,714 S	5/2001	Yuzuriha	D503,723 S	4/2005	Giddens
D443,280 S	6/2001	Shimizu	D515,589 S *	2/2006	Lin et al. .... D15/1
6,240,889 B1	6/2001	Kuwabara et al.	D516,580 S *	3/2006	Li ..... D15/1
D444,478 S	7/2001	Shimizu	D521,024 S	5/2006	Giddens
D449,051 S	10/2001	Miyashita	D521,529 S *	5/2006	Wu et al. .... D15/1
6,331,740 B1	12/2001	Morohoshi et al.	D529,046 S *	9/2006	Maeda et al. .... D15/1
6,362,533 B1	3/2002	Morohoshi et al.	D532,794 S	11/2006	Glass
D457,891 S	5/2002	Matre	7,191,753 B2 *	3/2007	Sagara et al. .... 123/198 E
D462,363 S	9/2002	Burmeister et al.	2001/0039845 A1	11/2001	Tachibana
6,489,690 B1	12/2002	Hatsugai et al.	2003/0154934 A1	8/2003	Nakamizo et al.
D468,751 S	1/2003	Neeley et al.	2003/0182823 A1	10/2003	Sanders et al.
6,520,141 B2	2/2003	Ryczek et al.	2004/0224806 A1	11/2004	Chonan
6,525,430 B1	2/2003	Asai et al.	2005/0258001 A1 *	11/2005	Ryczek et al. .... 181/272
D471,207 S	3/2003	Kern et al.	2006/0048742 A1 *	3/2006	Sagara et al. .... 123/198 E
D474,783 S	5/2003	Momoi	2007/0022978 A1 *	2/2007	Kanbara et al. .... 123/41.7

\* cited by examiner

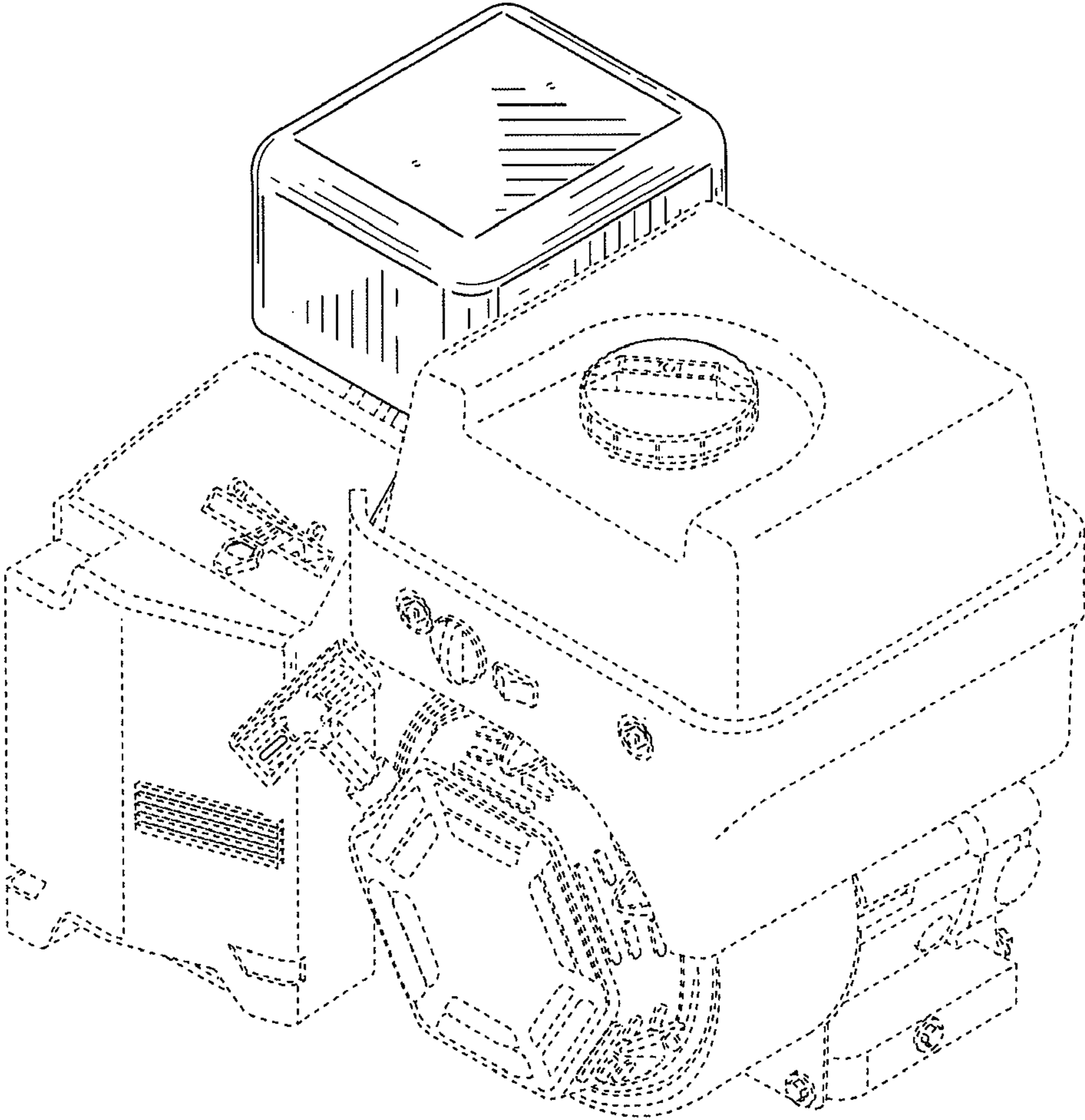


FIG. 1

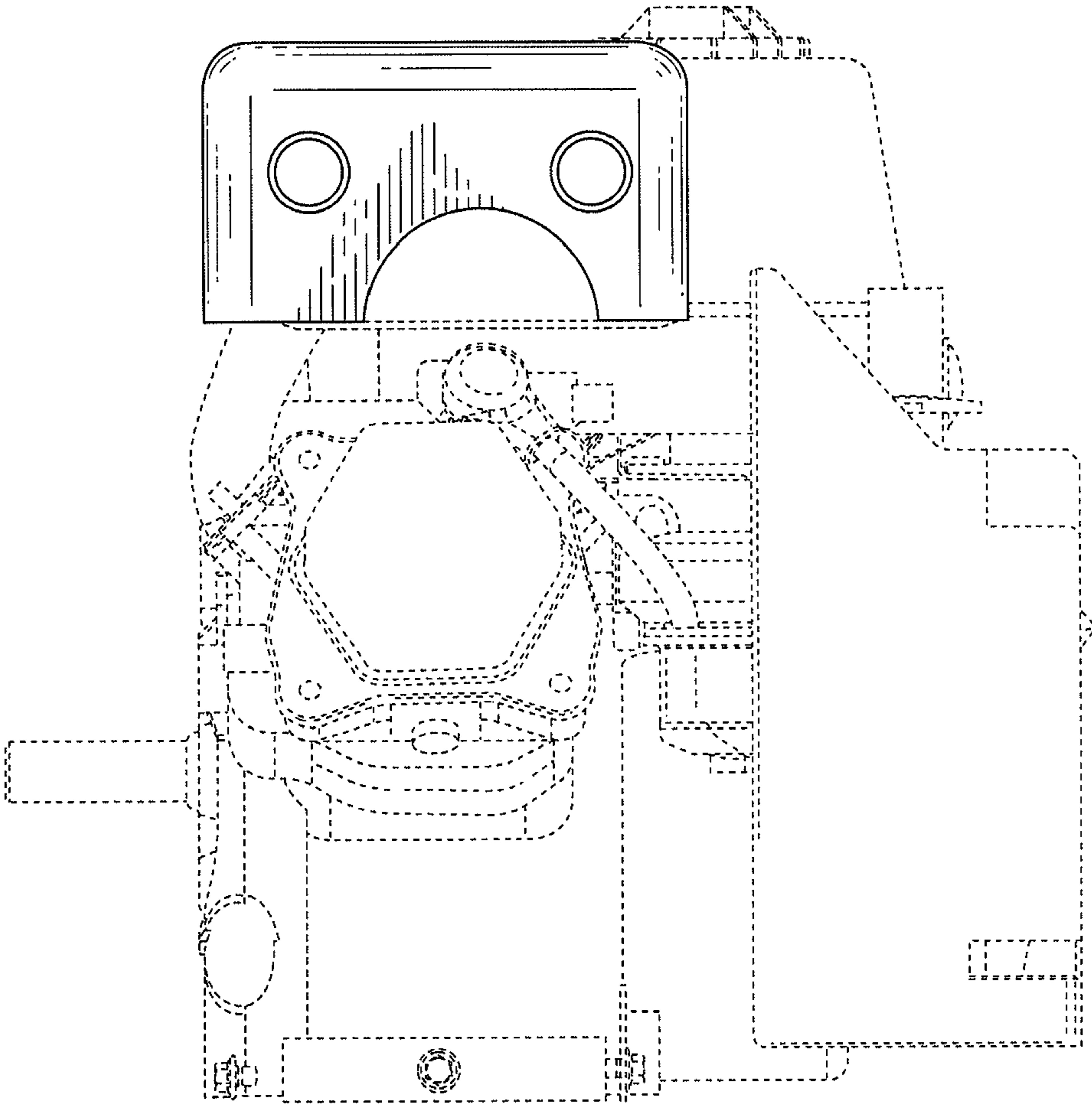


FIG. 2

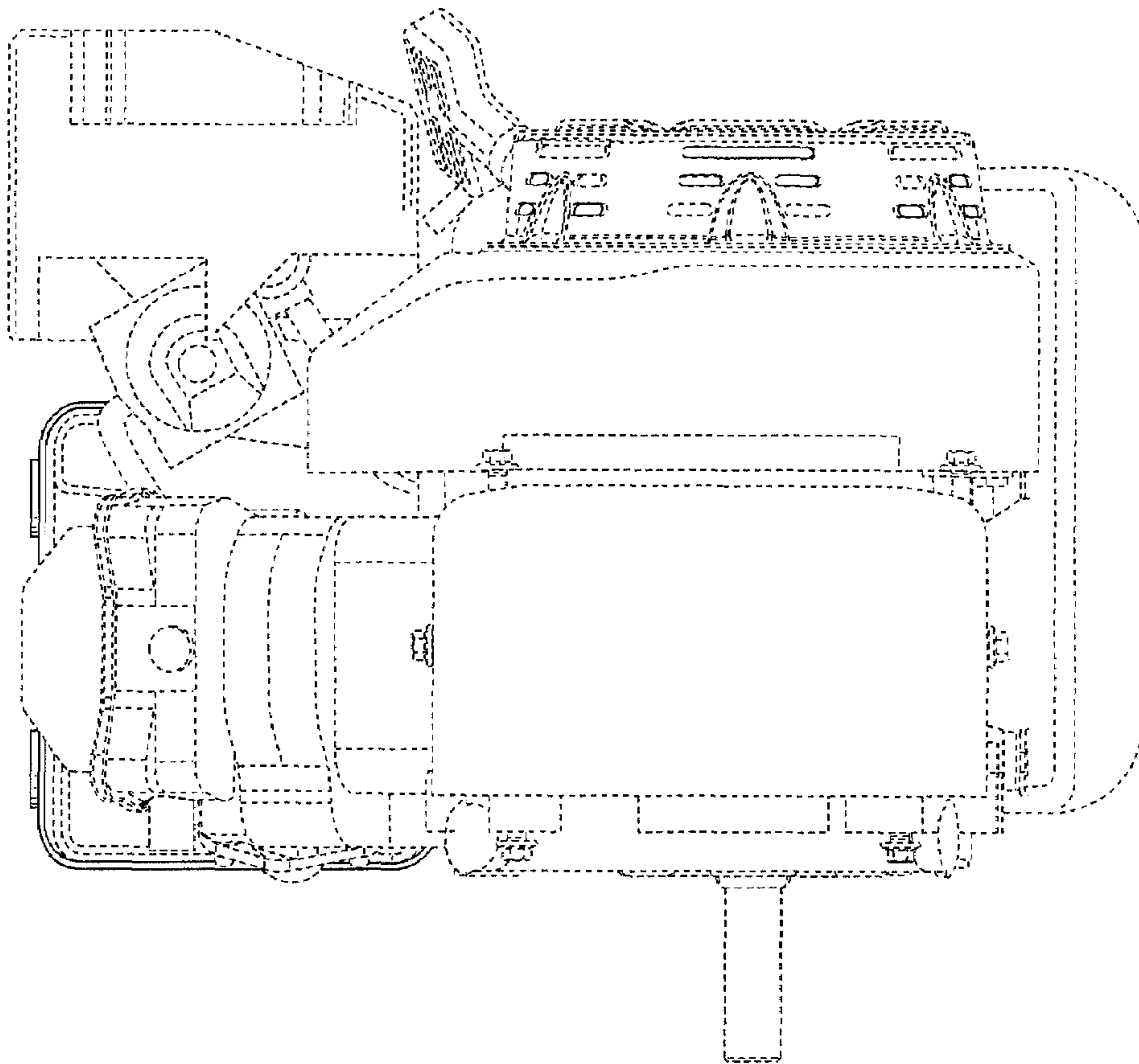


FIG. 3

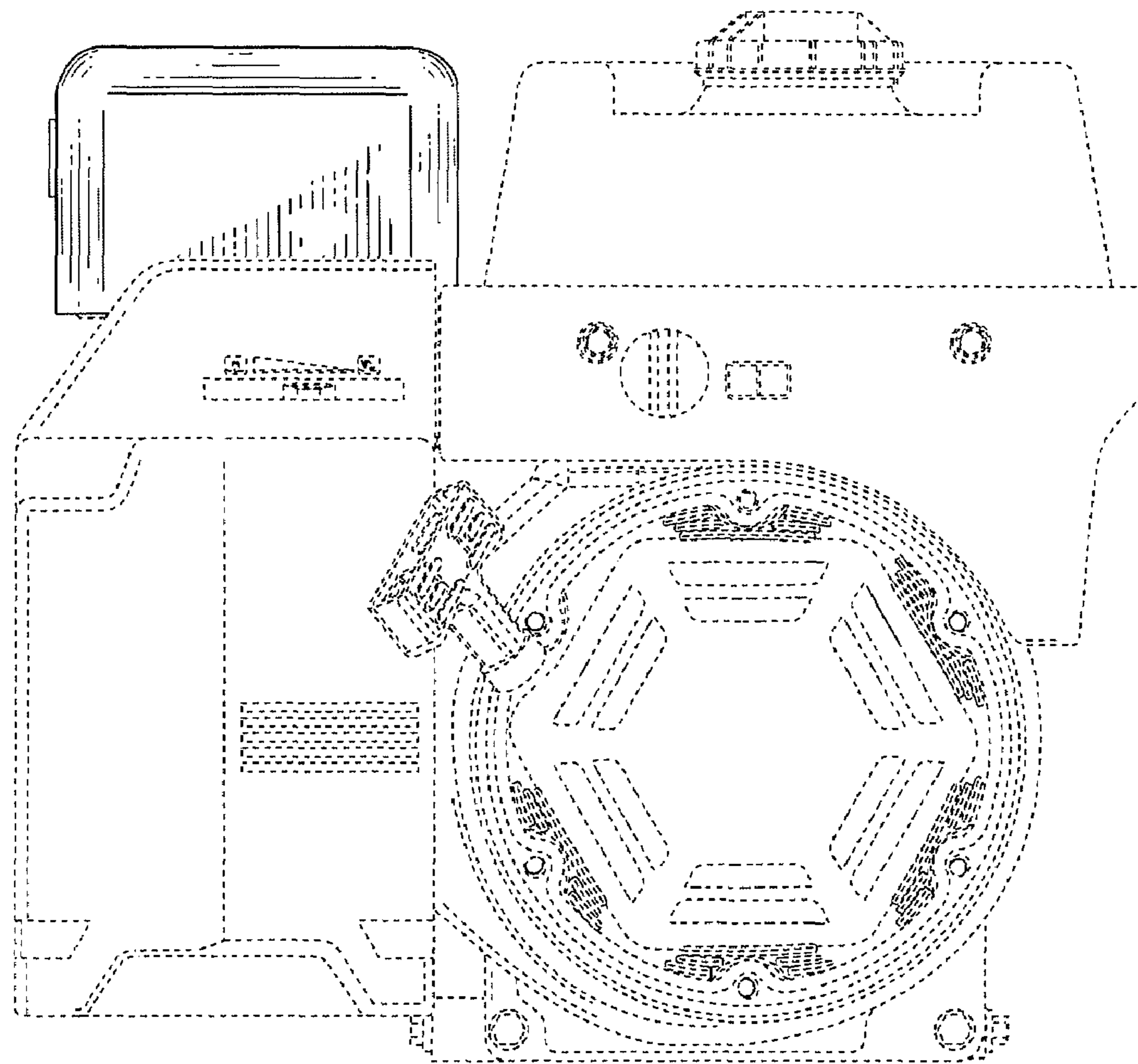


FIG. 4

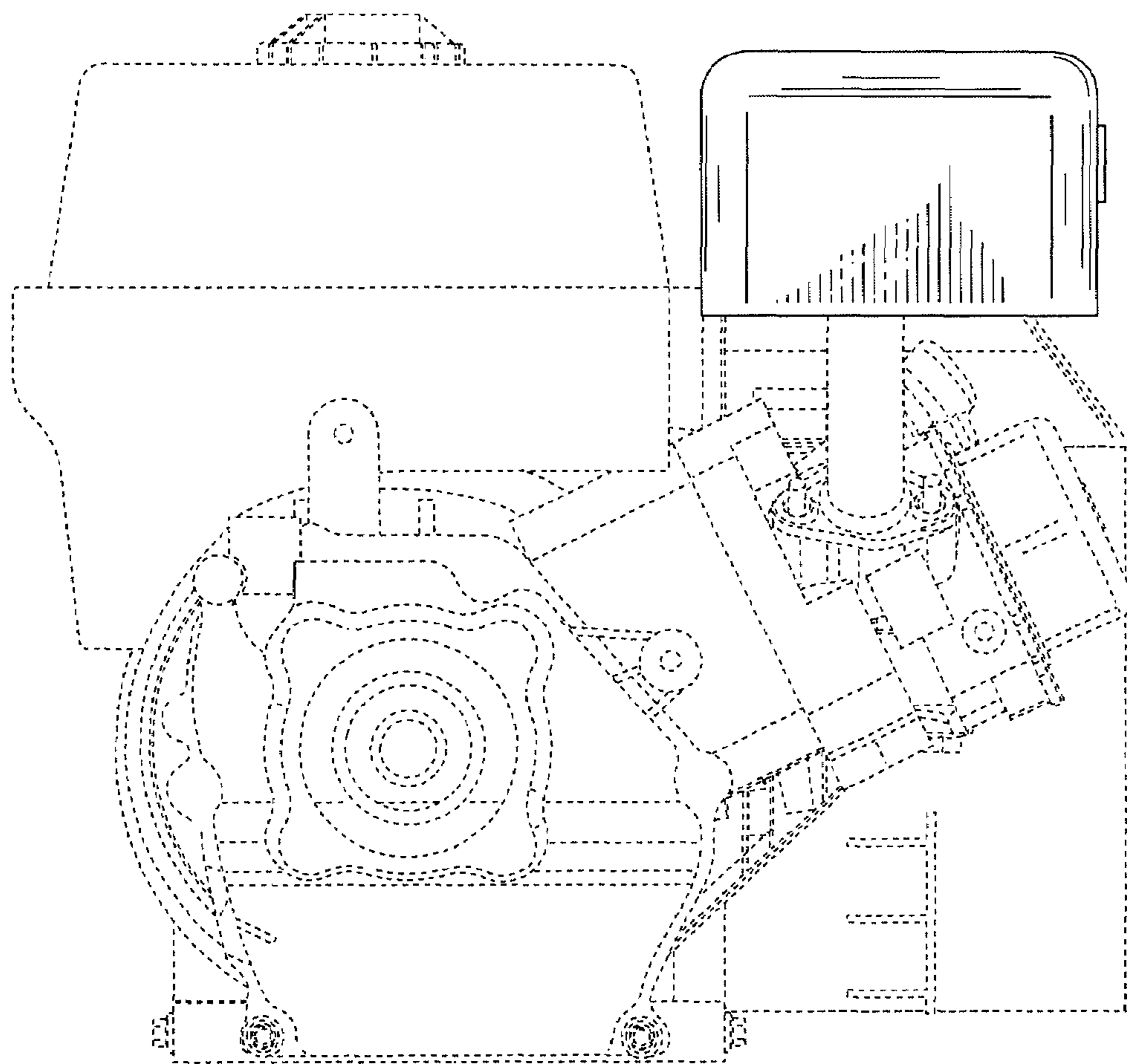


FIG. 5

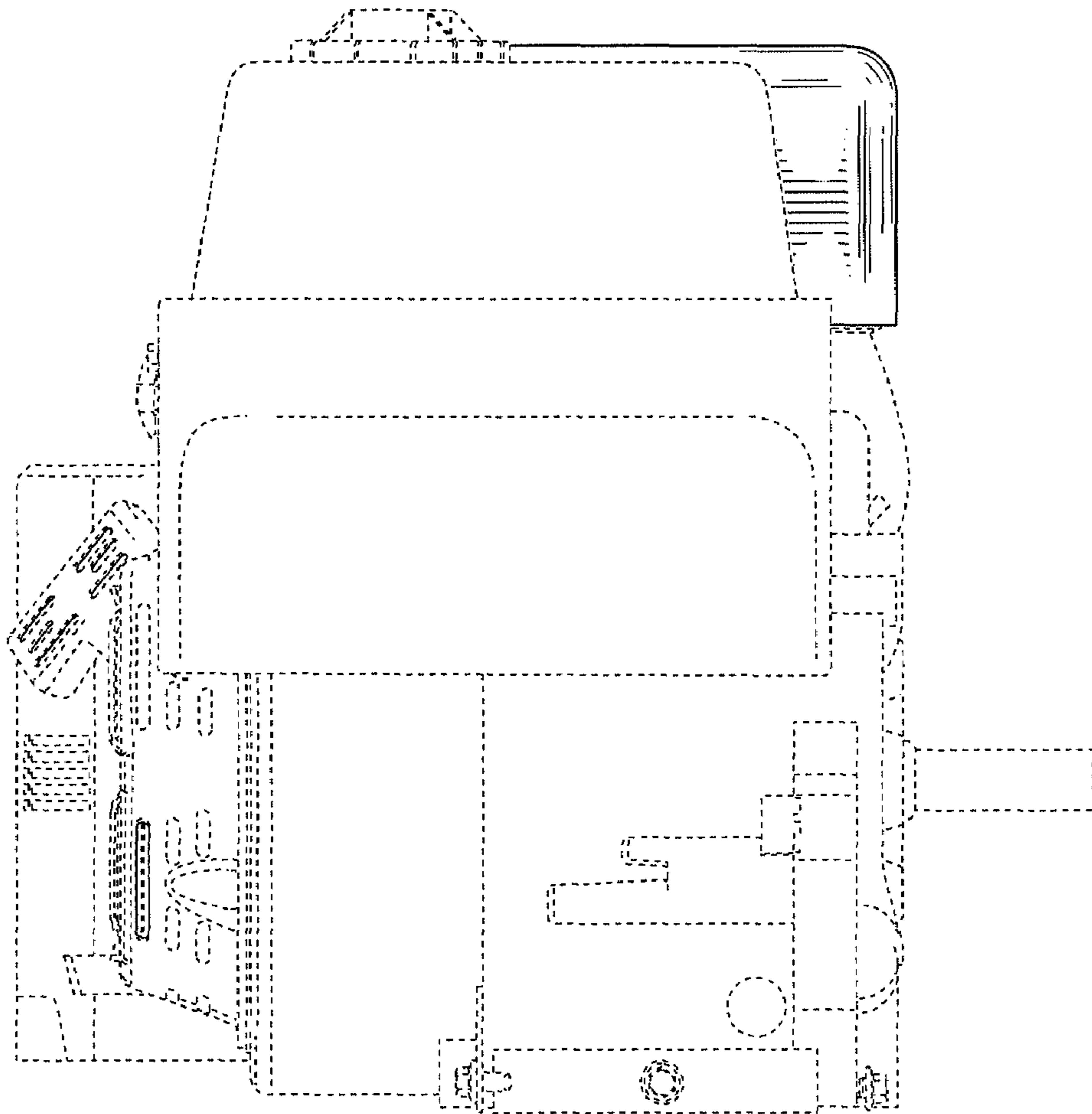


FIG. 6



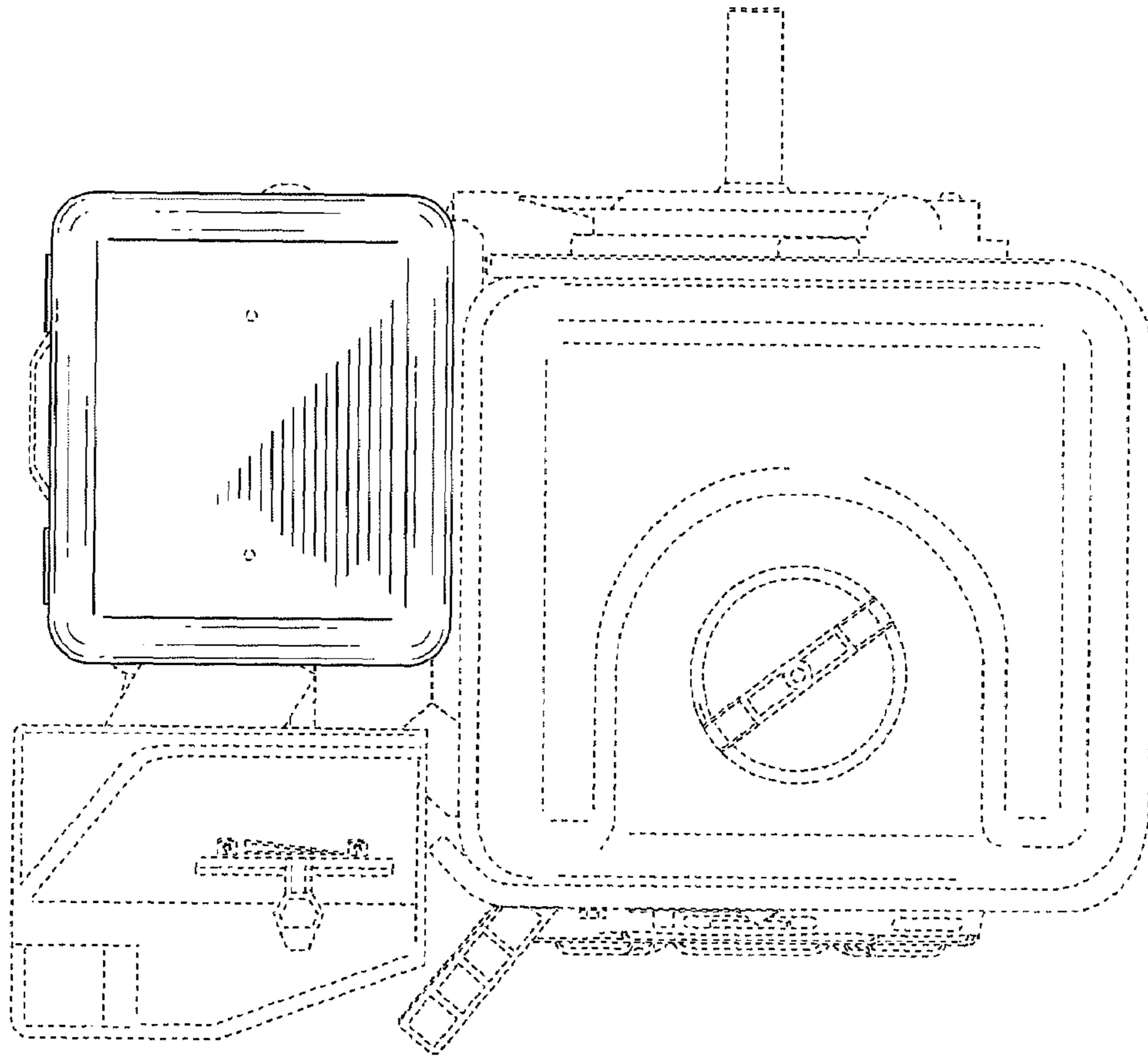


FIG. 7

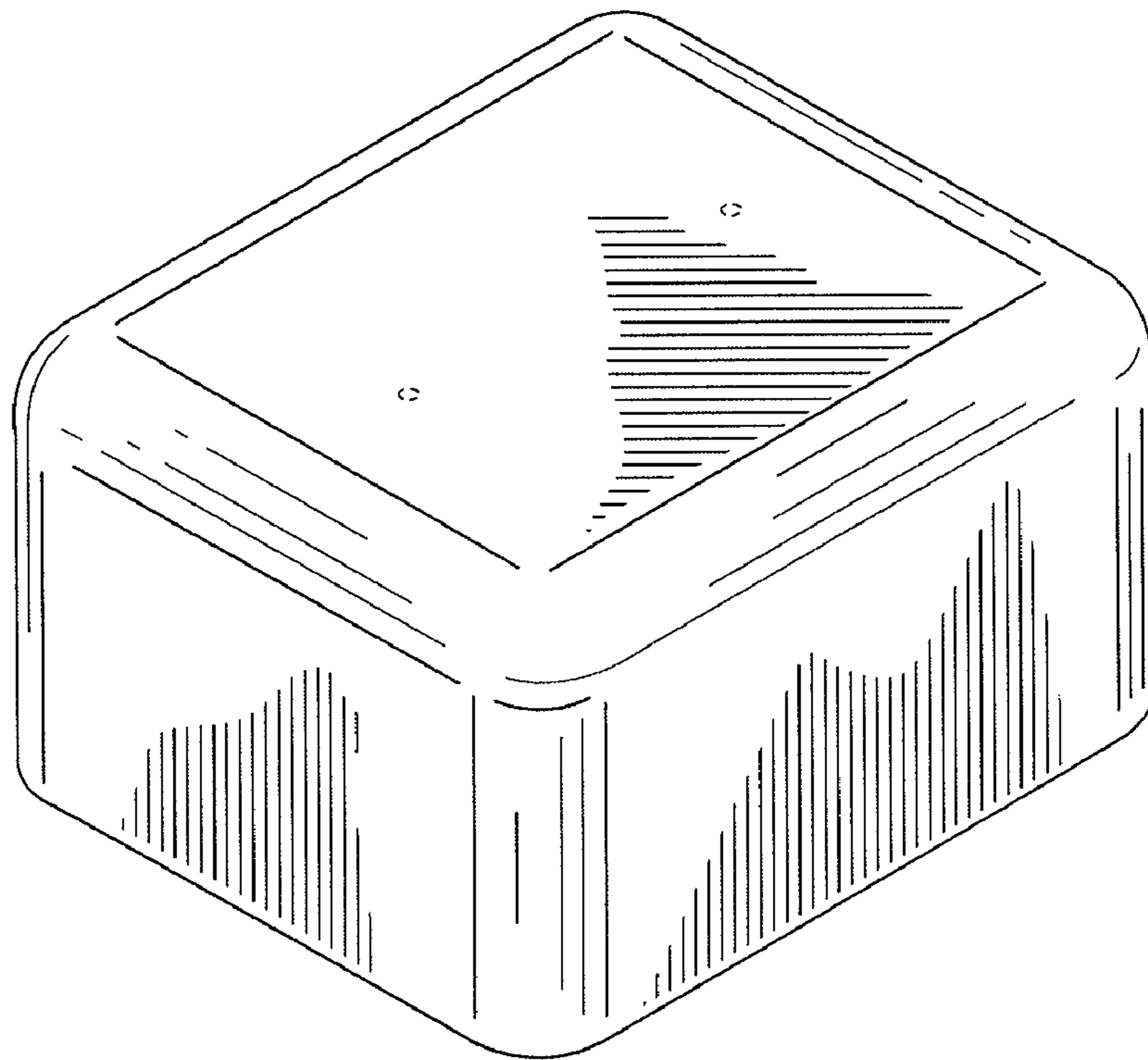


FIG. 8

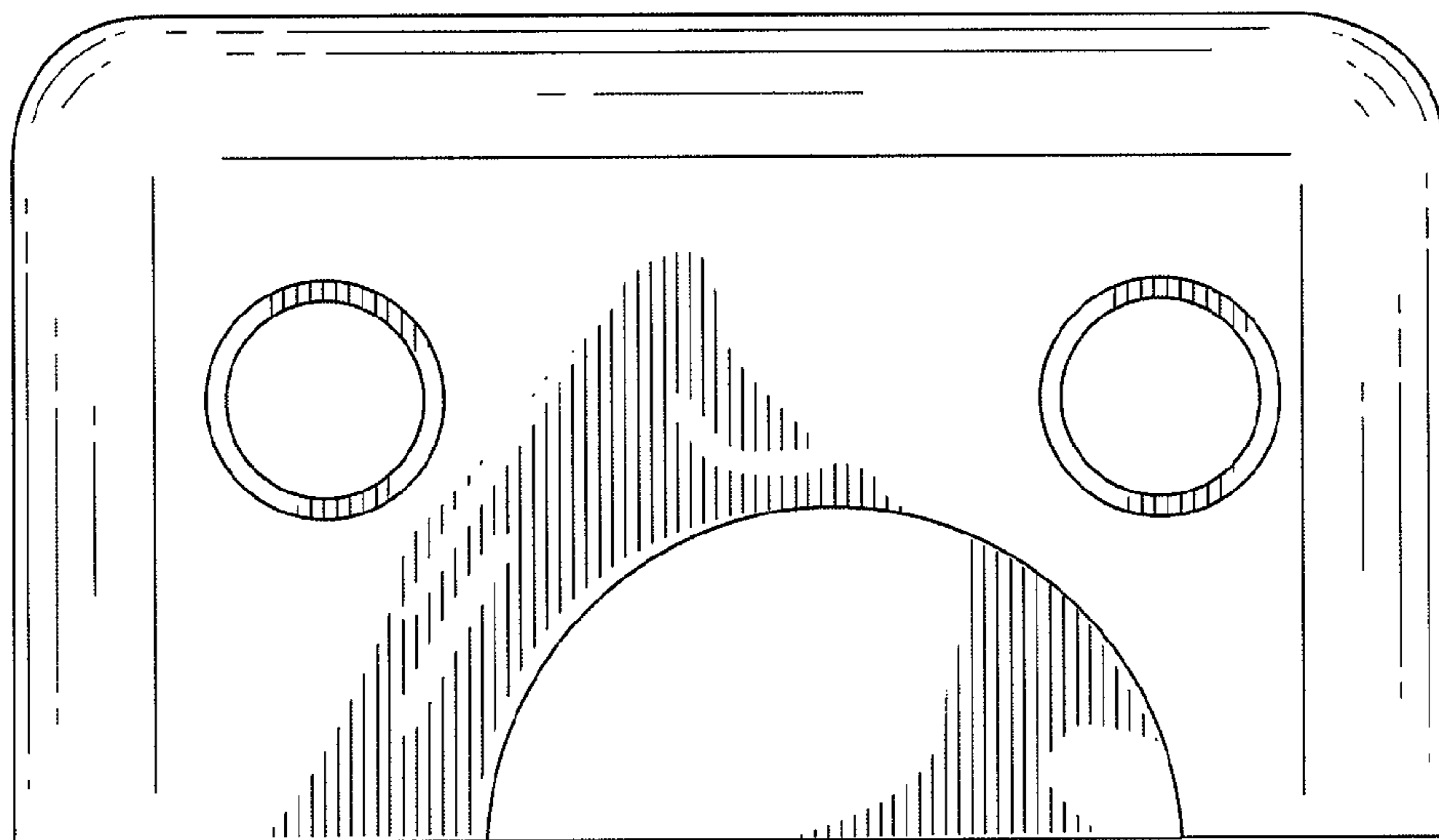


FIG. 9

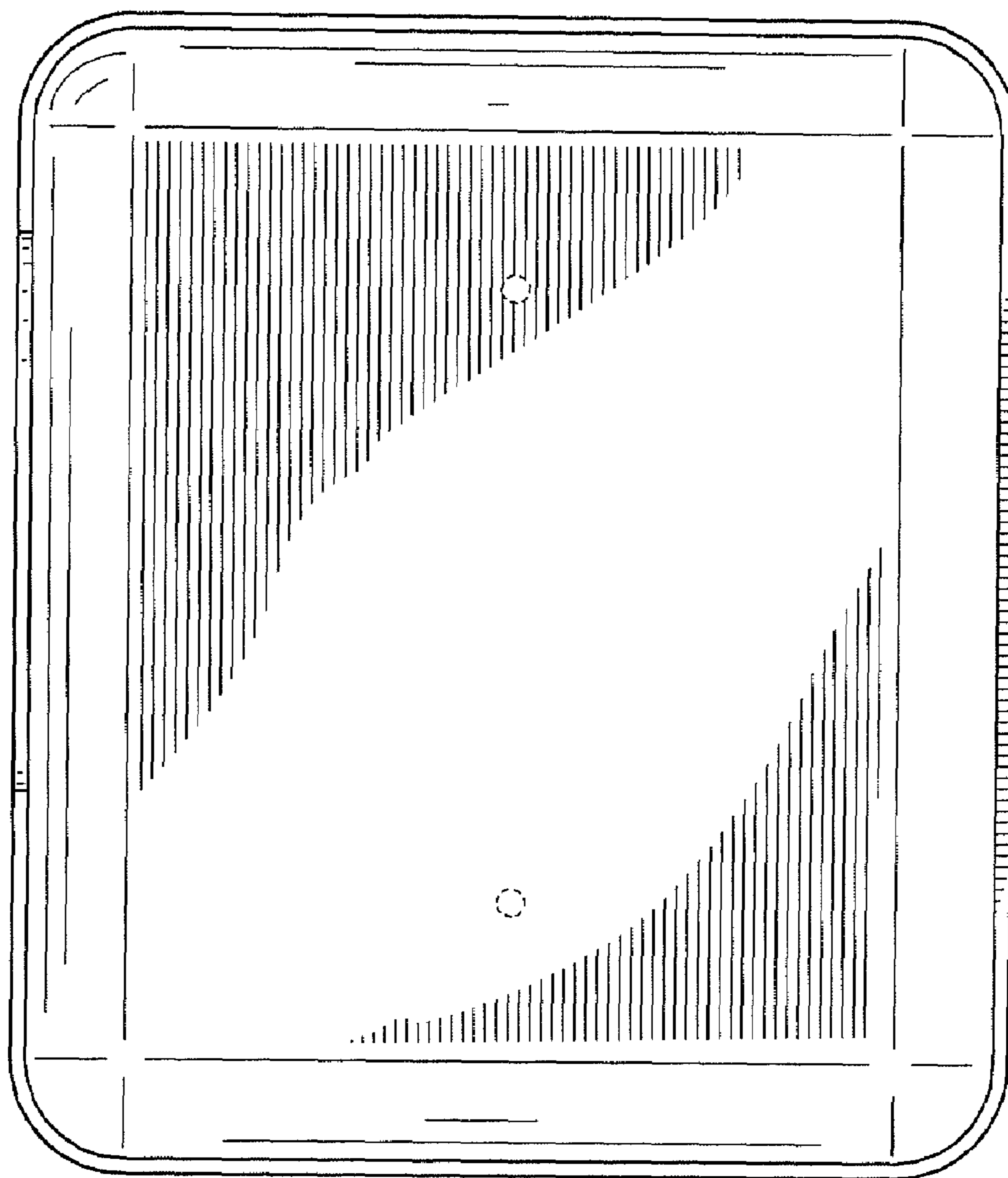


FIG. 10

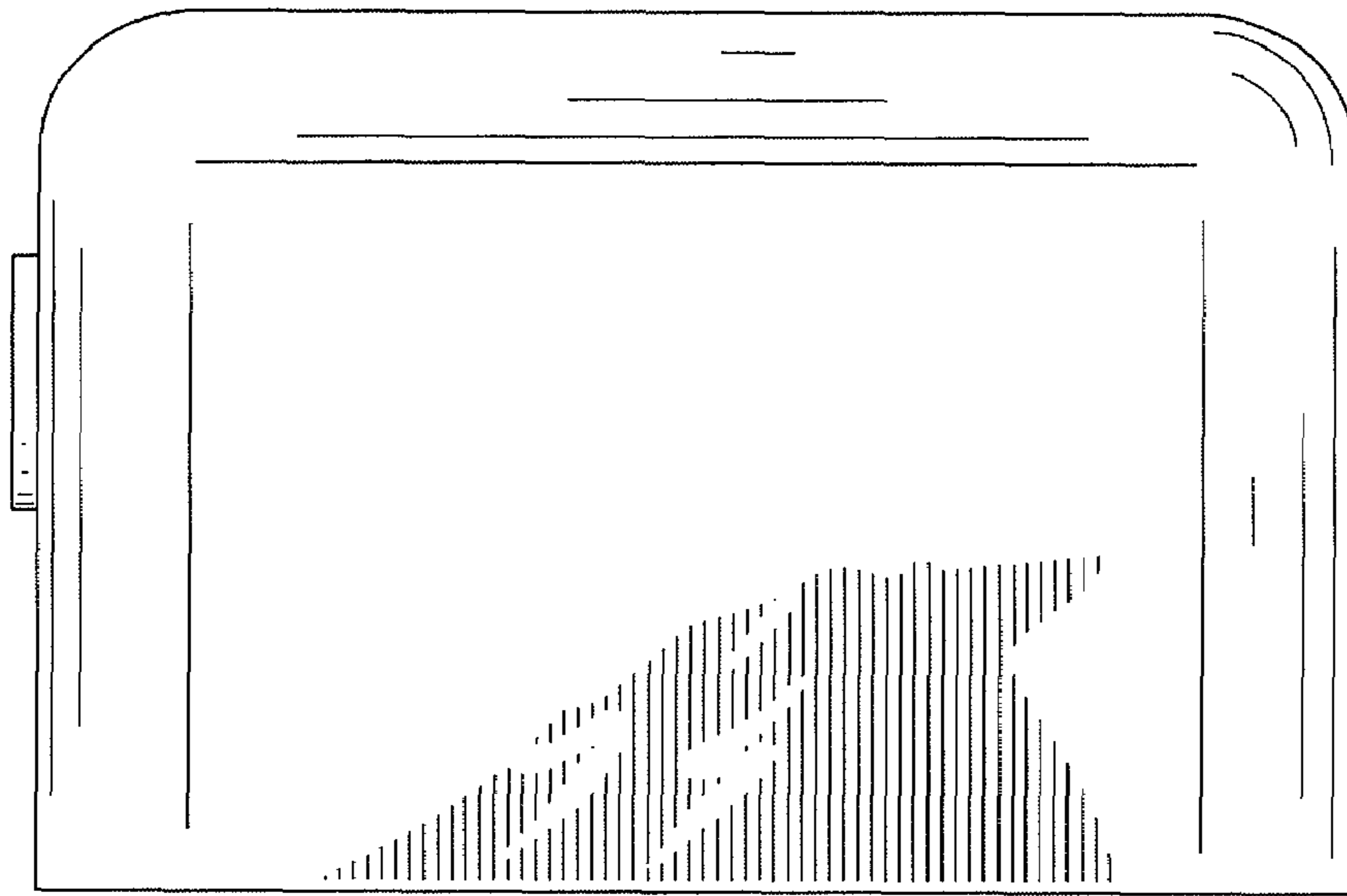


FIG. 11

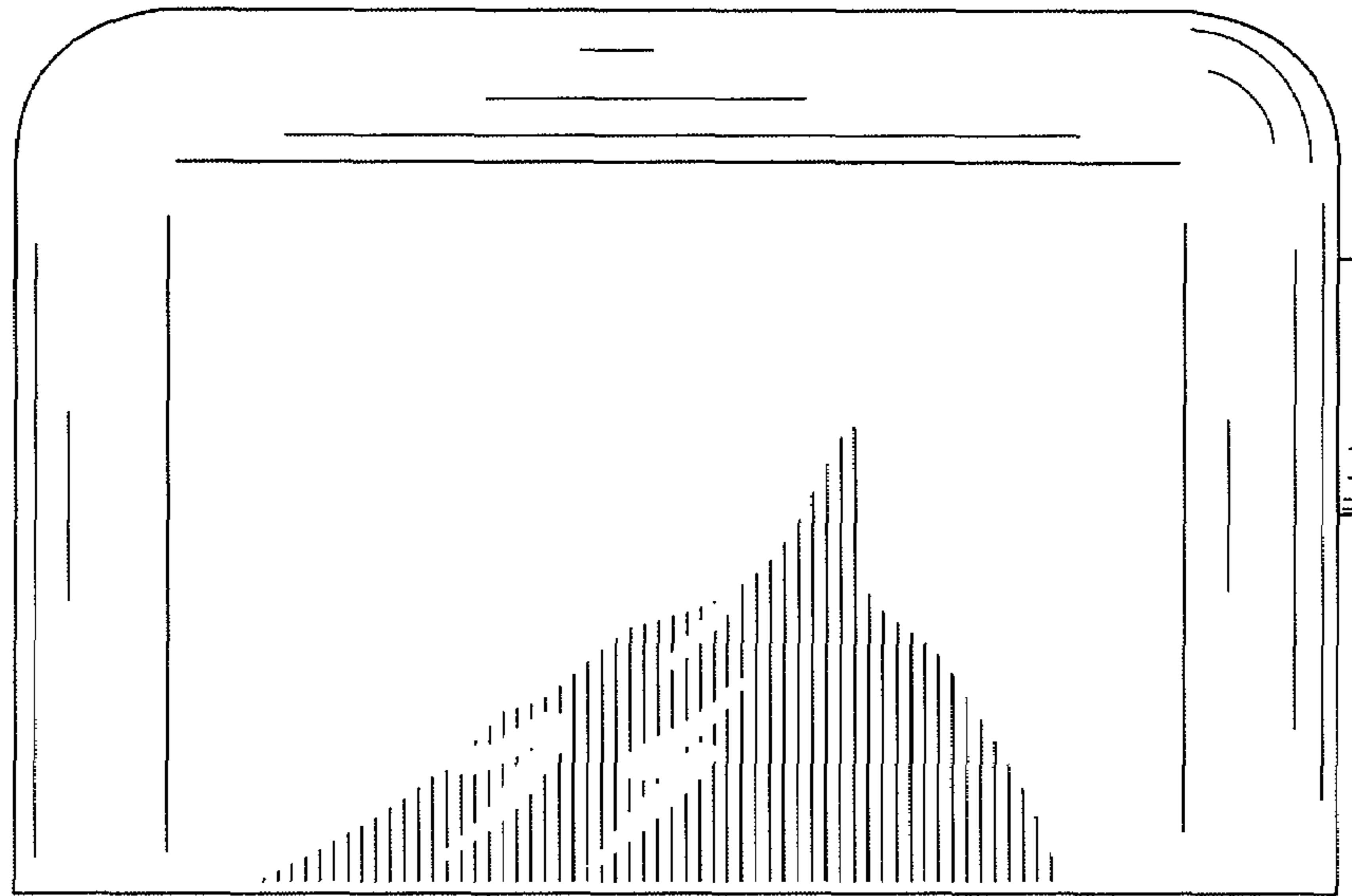


FIG. 12

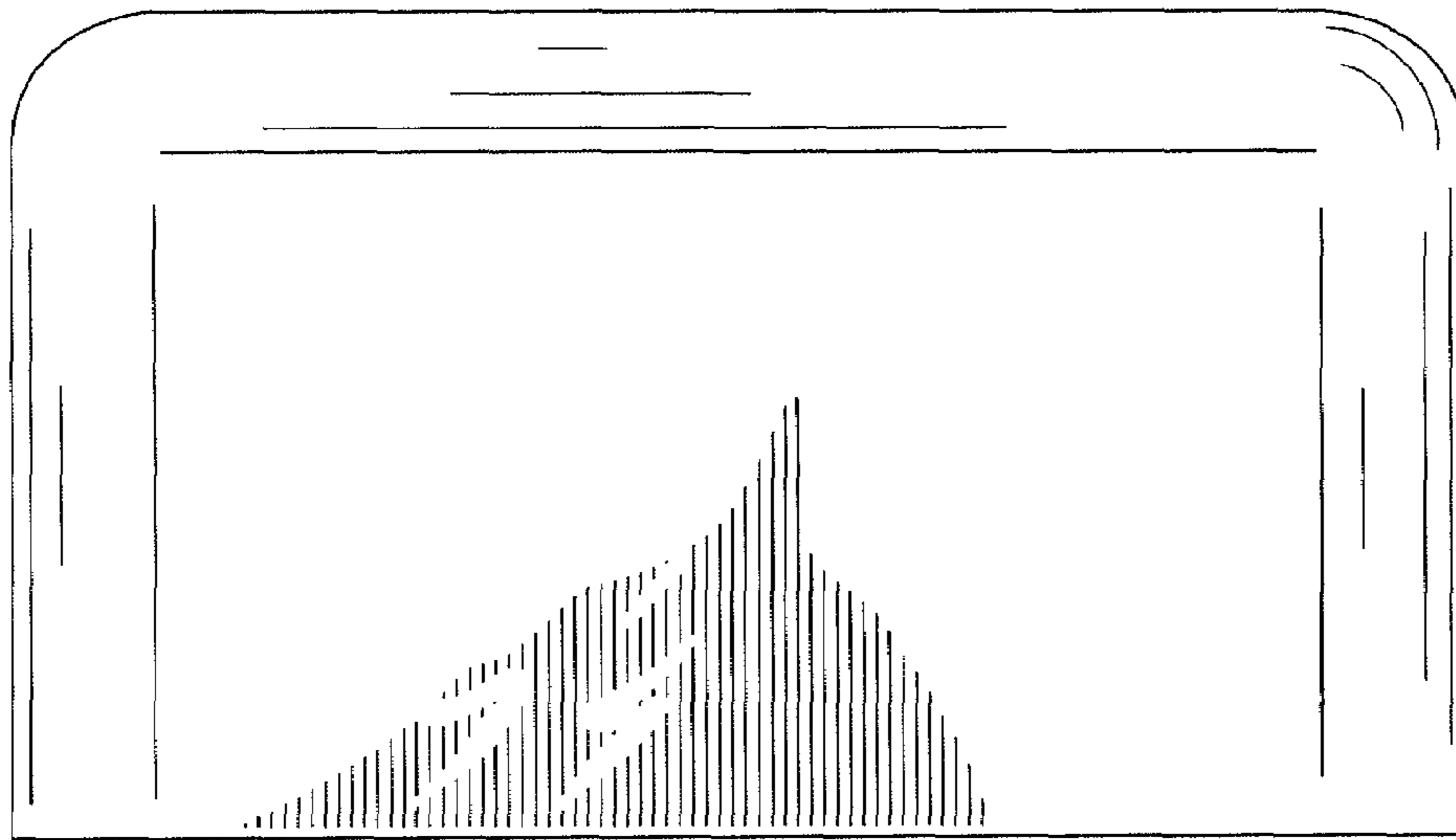


FIG. 13

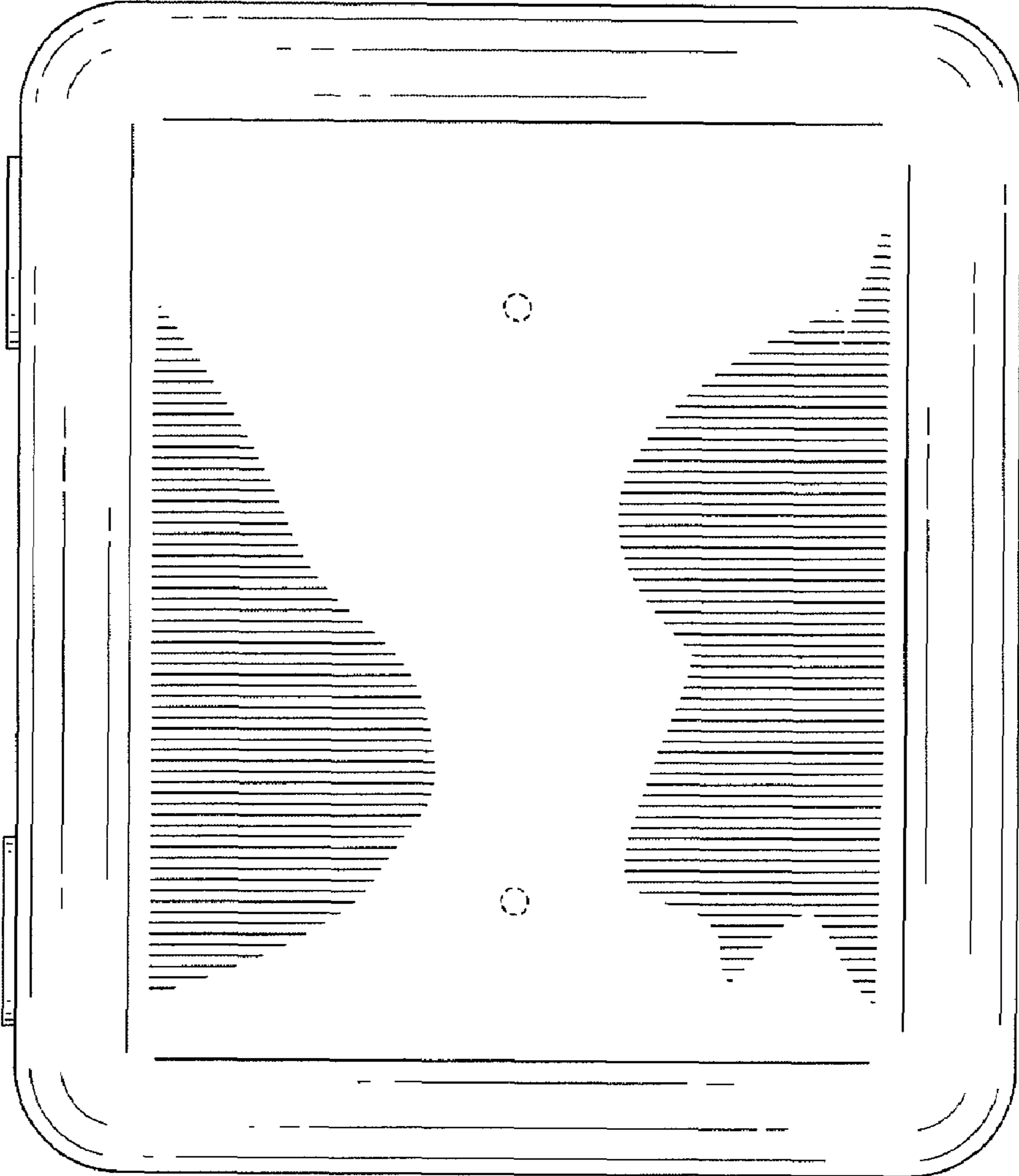


FIG. 14



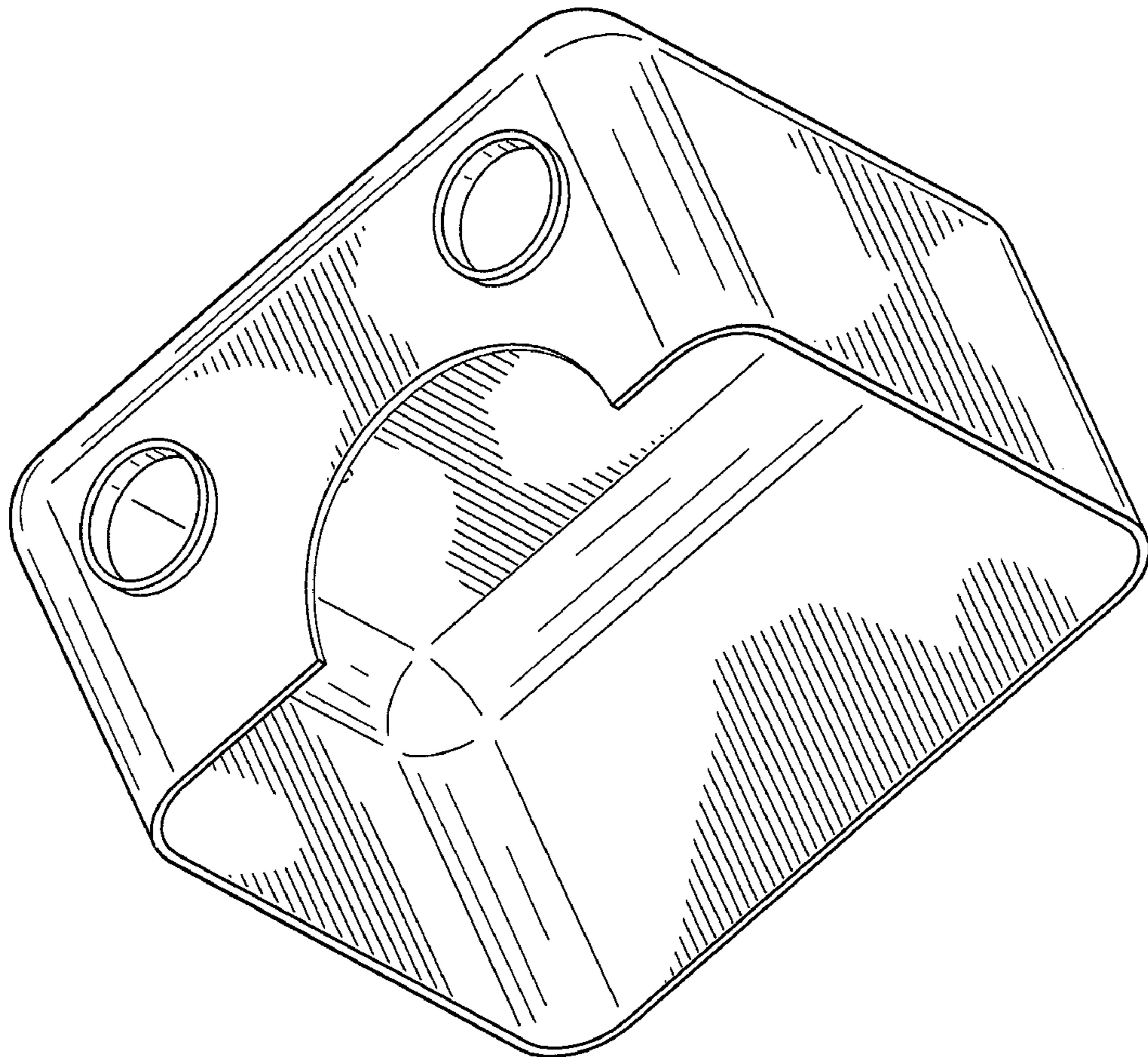


FIG. 15