

US00D570878S

(12) **United States Design Patent** (10) **Patent No.:** **US D570,878 S**
Nagel et al. (45) **Date of Patent:** **** Jun. 10, 2008**

(54) **MUFFLER FOR AN ENGINE**
(75) Inventors: **John J. Nagel**, Hartford, WI (US);
John A. Zbiegien, Jr., Cedarburg, WI (US)
(73) Assignee: **Briggs & Stratton Corporation**,
Wauwatosa, WI (US)

6,892,852 B2 * 5/2005 Klein 181/227
D521,529 S * 5/2006 Wu et al. D15/1
D527,020 S * 8/2006 Miyazaki et al. D15/3
7,191,753 B2 * 3/2007 Sagara et al. 123/198 E
2005/0155818 A1 * 7/2005 Wirtz 181/269
2005/0258001 A1 * 11/2005 Ryzek et al. 181/272
2006/0048742 A1 * 3/2006 Sagara et al. 123/198 E

FOREIGN PATENT DOCUMENTS

(**) Term: **14 Years**

AU 152073 6/2003
AU 152490 7/2003

(21) Appl. No.: **29/235,188**

* cited by examiner

(22) Filed: **Jul. 28, 2005**

Primary Examiner—Ian Simmons
Assistant Examiner—Wan Laymon
(74) *Attorney, Agent, or Firm*—Michael Best & Friedrich
LLP

(51) **LOC (8) Cl.** **15-01**

(52) **U.S. Cl.** **D15/5**

(58) **Field of Classification Search** D15/1-5,
D15/149, 14, 16-17; 74/606 R; 123/41.7,
123/56, 306, 308, 661, 667, 41.66-41.67,
123/657, 50 A-50 B, 50 R, 51 R, 51 A,
123/195 C, 198 E, 41.01, 41.09, 70 R; 181/212,
181/227-228, 241, 272-273

(57) **CLAIM**

See application file for complete search history.

The ornamental design for a muffler for an engine, as shown and described.

DESCRIPTION

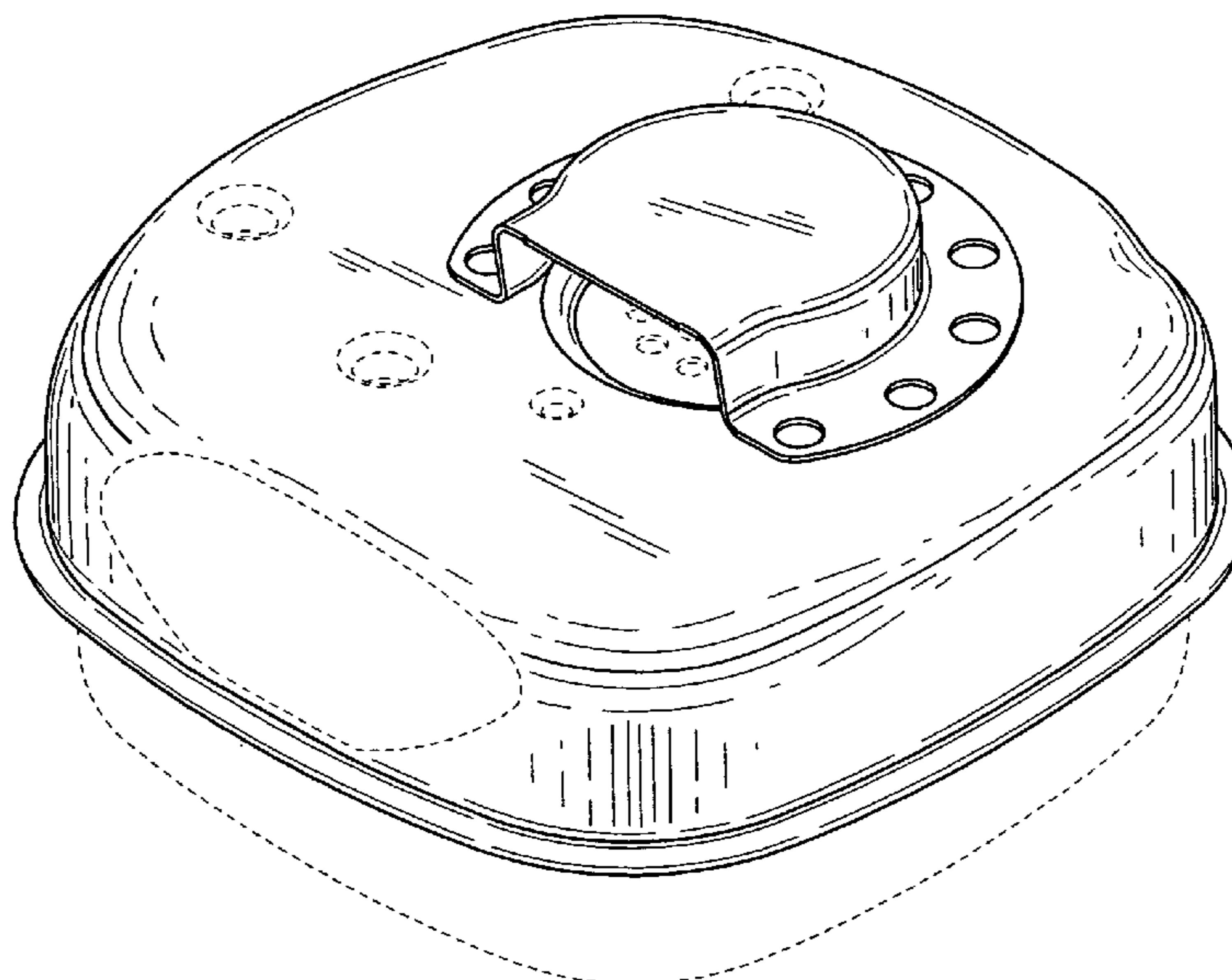
(56) **References Cited**

U.S. PATENT DOCUMENTS

D173,072 S * 9/1954 Lechtenberg et al. D15/1
4,132,286 A 1/1979 Hasui et al.
4,416,350 A 11/1983 Hayashi
4,574,913 A 3/1986 Fukuda
4,813,385 A * 3/1989 Yamaguchi et al. 123/2
5,894,115 A 4/1999 Weiner
6,041,890 A 3/2000 Wolf et al.
6,044,926 A 4/2000 Yamane et al.
6,364,054 B1 4/2002 Bubulka et al.

FIG. 1 is a perspective view of a muffler for an engine showing our new design;
FIG. 2 is a front view thereof;
FIG. 3 is a rear view thereof;
FIG. 4 is a side view thereof;
FIG. 5 is an opposite side view thereof;
FIG. 6 is a bottom view thereof; and,
FIG. 7 is a top view thereof.

1 Claim, 4 Drawing Sheets



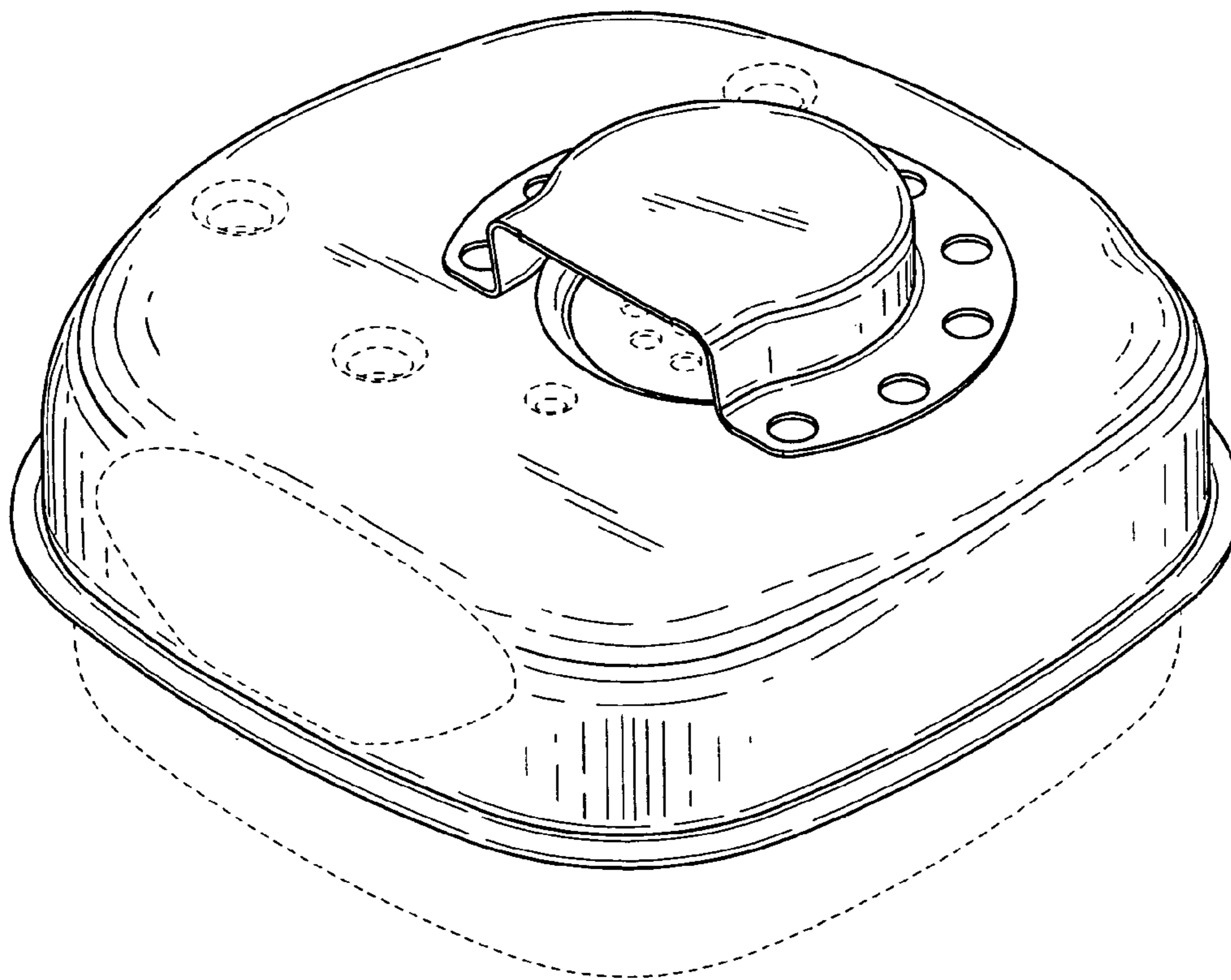


FIG. 1

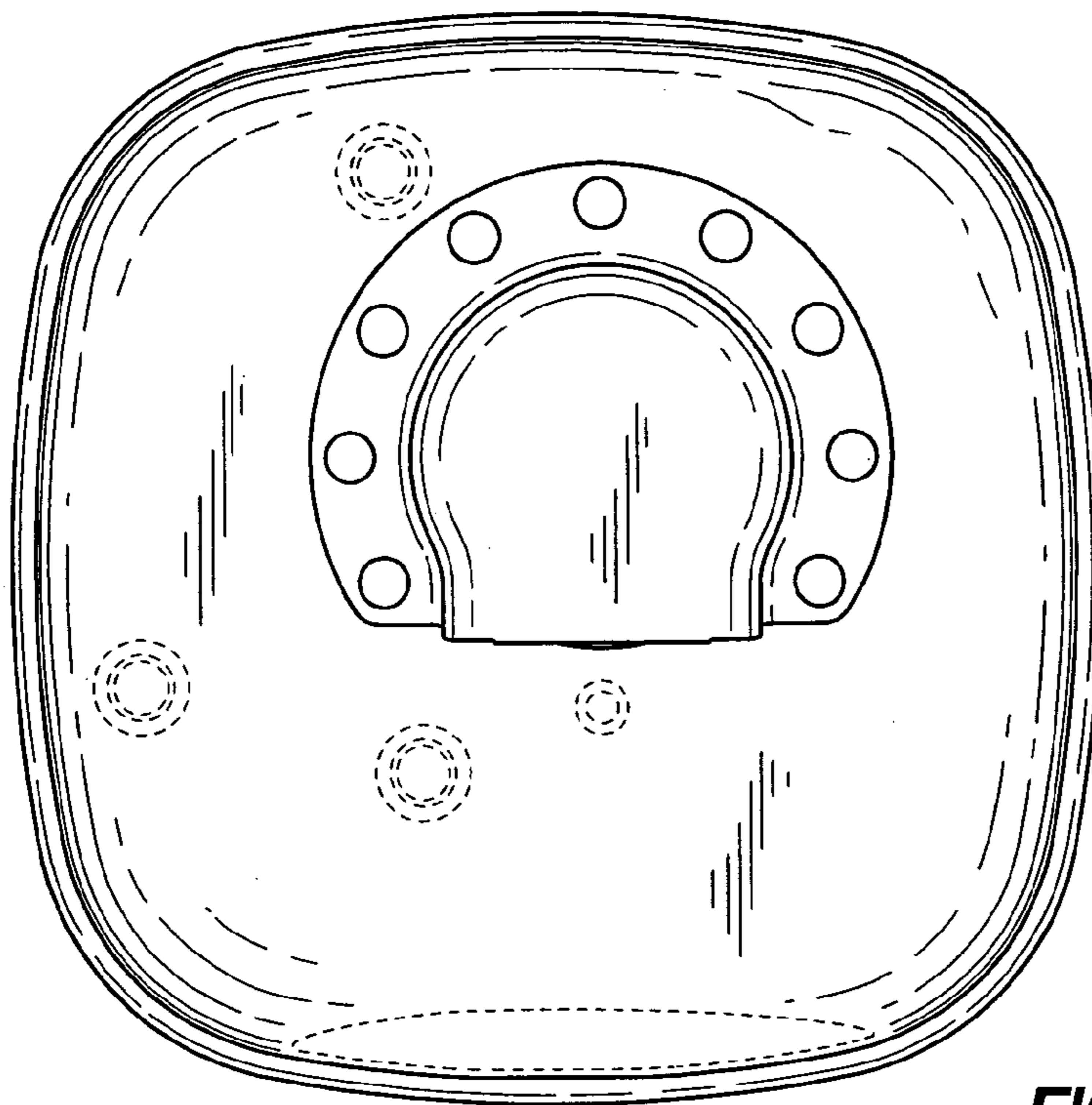


FIG. 2

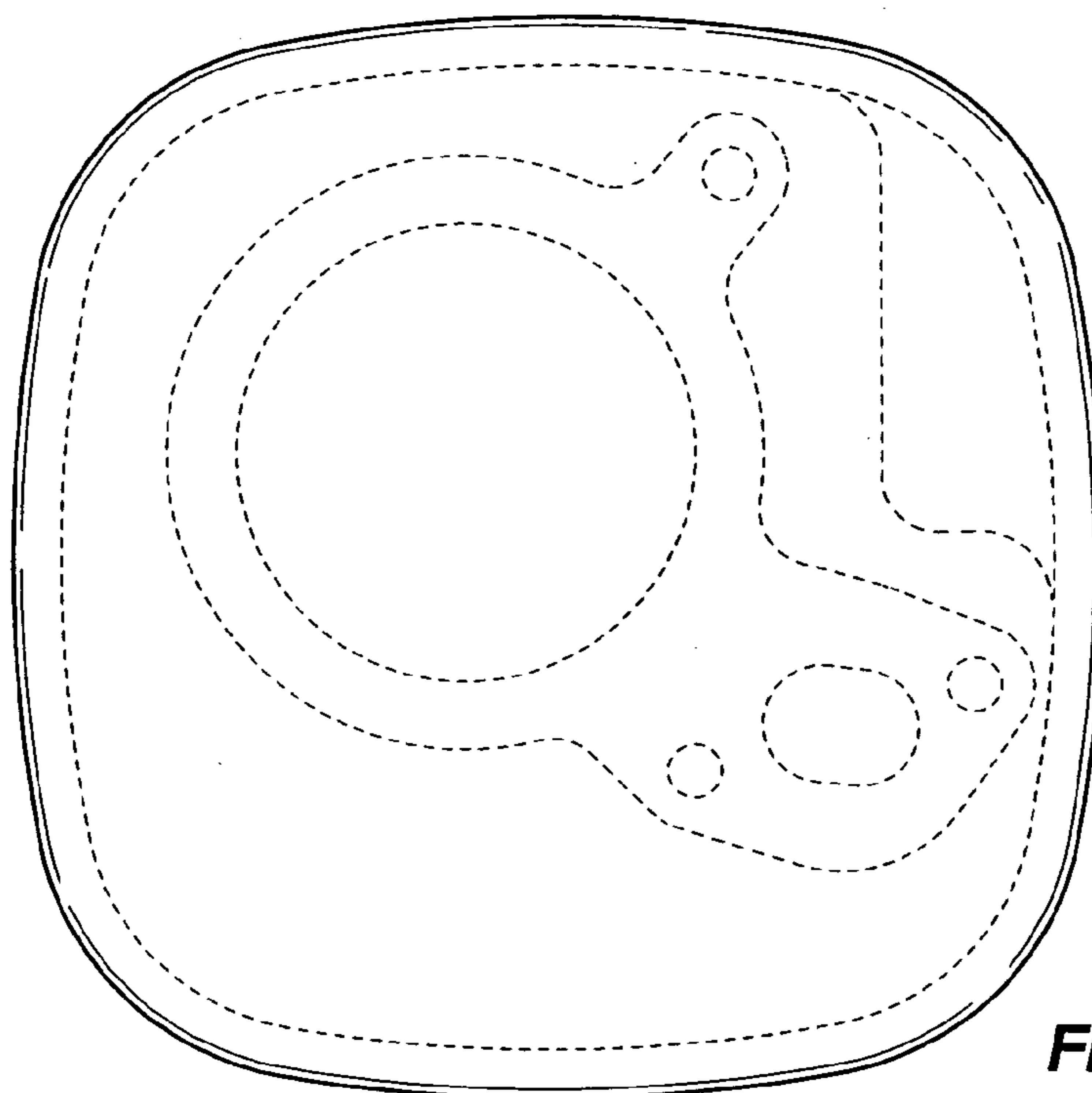


FIG. 3

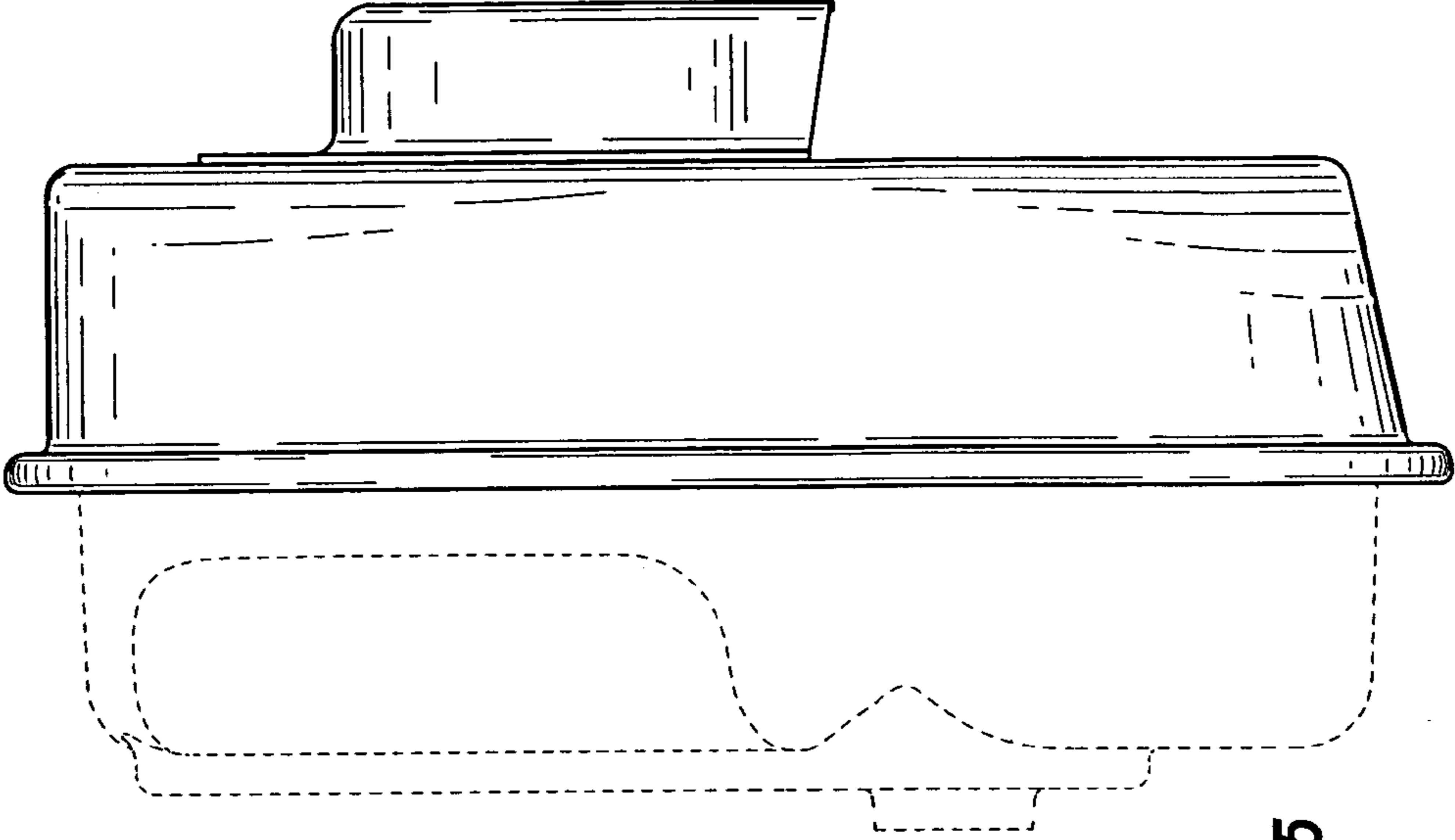


FIG. 5

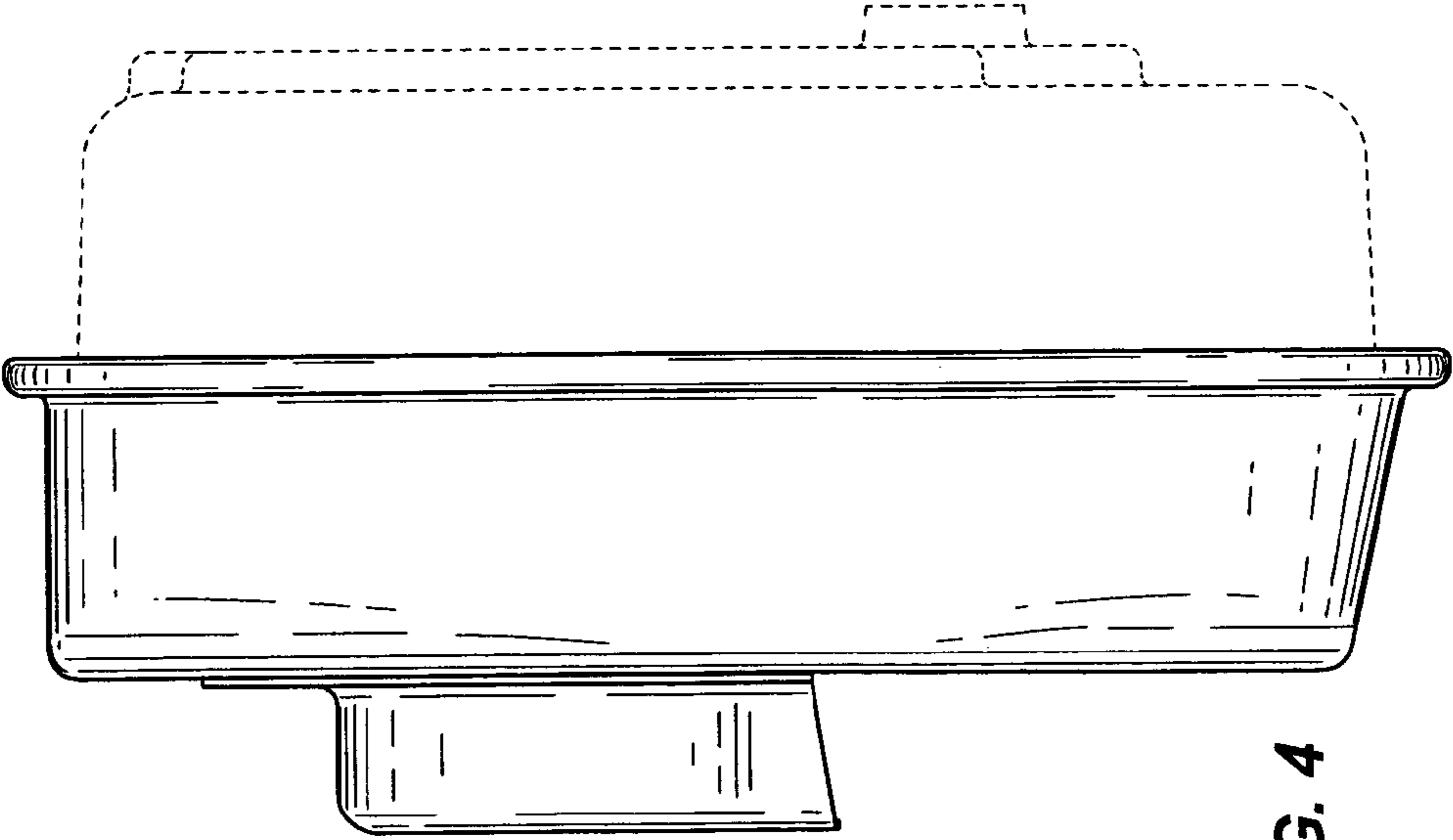


FIG. 4

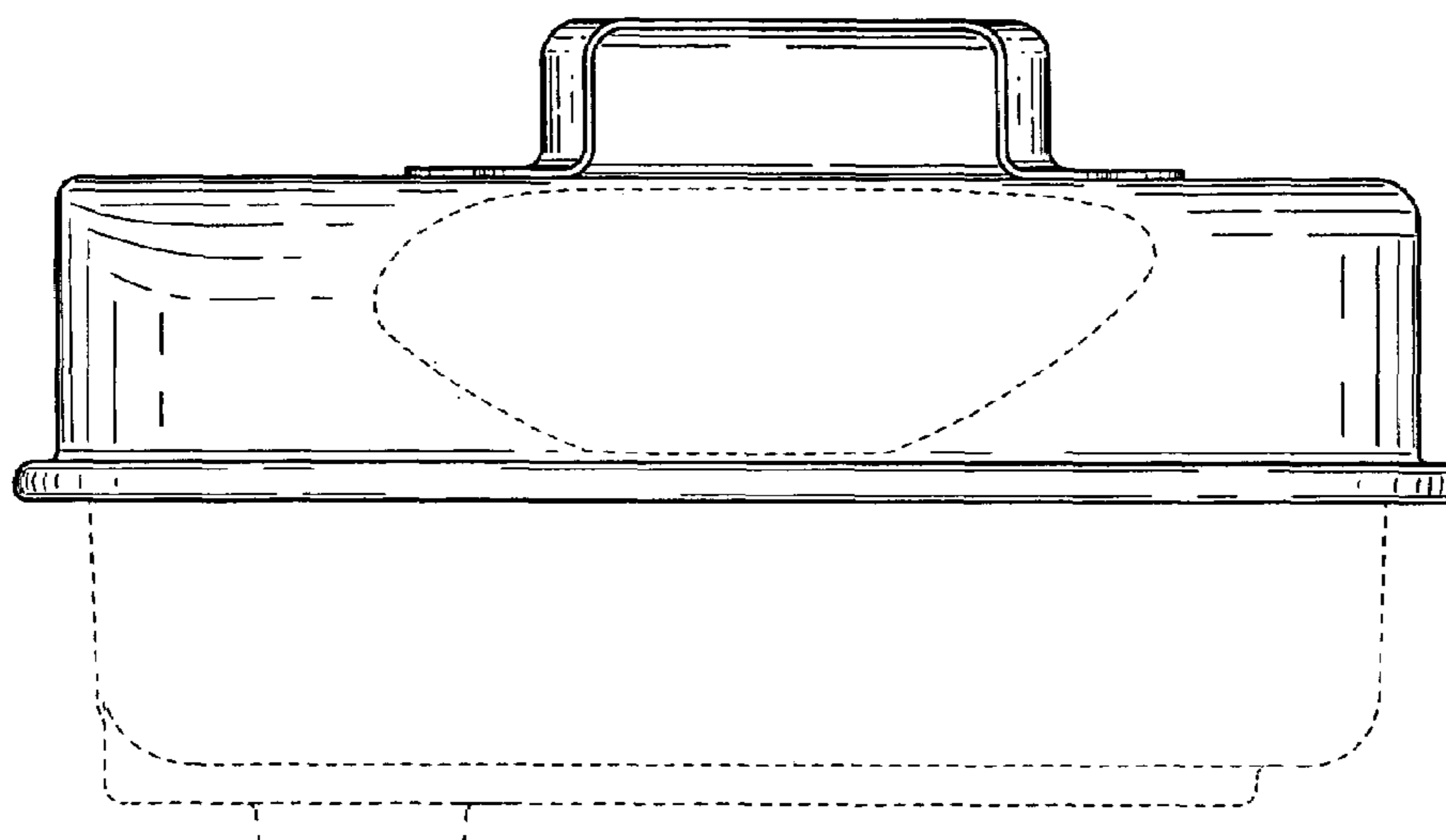


FIG. 6

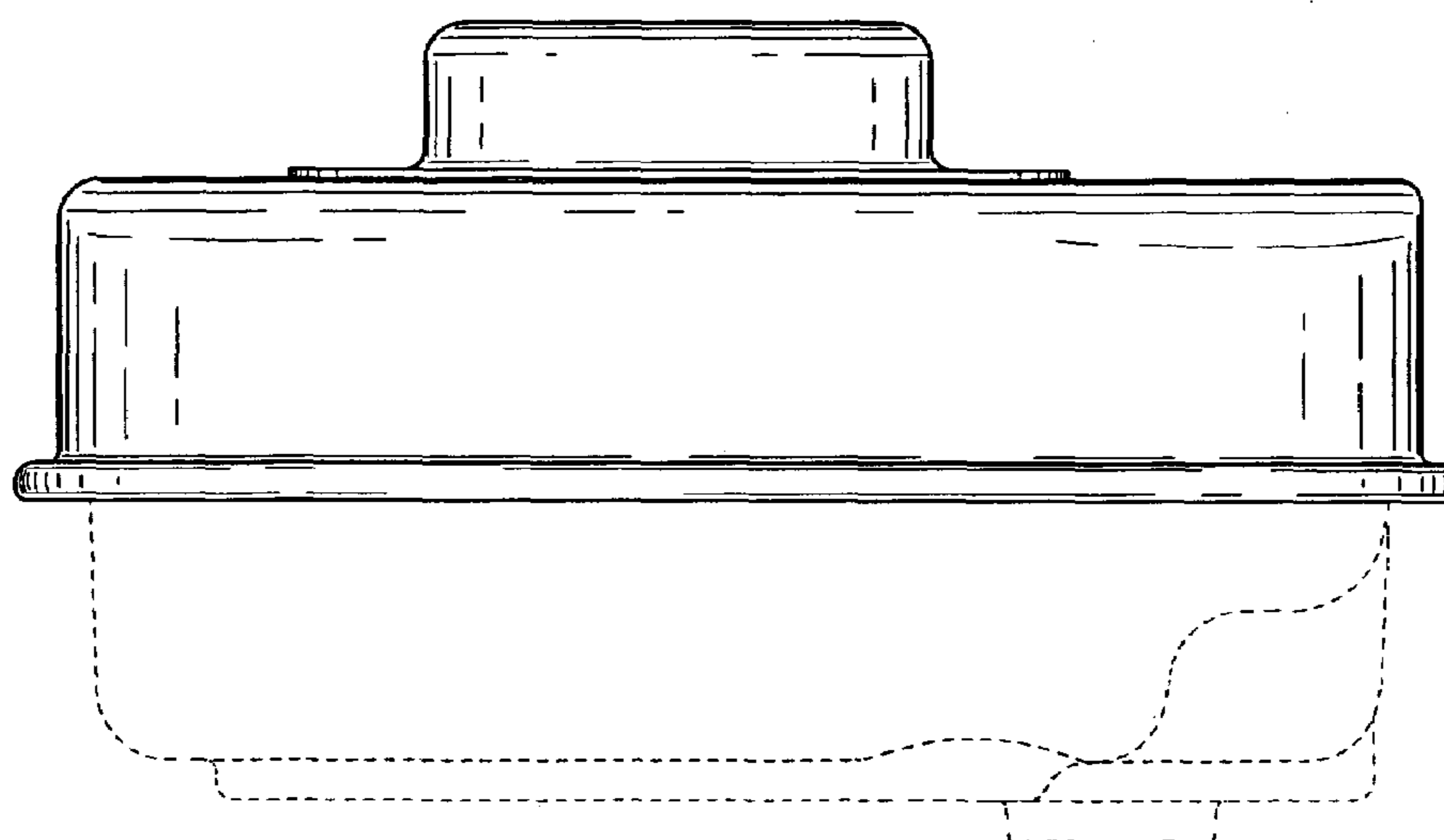


FIG. 7