



US00D570877S

(12) **United States Design Patent**  
**Glass et al.**

(10) **Patent No.:** **US D570,877 S**  
(45) **Date of Patent:** **\*\* Jun. 10, 2008**

- (54) **ENGINE**
- (75) Inventors: **Douglas Lloyd Glass**, Greenville, SC  
(US); **Chad Eric James**, Tryon, NC  
(US)
- (73) Assignee: **Onihr Manufacturing SRL**, St. James,  
West Indies (BB)
- (\*\*) Term: **14 Years**
- (21) Appl. No.: **29/275,791**
- (22) Filed: **Jan. 5, 2007**
- (51) **LOC (8) Cl.** ..... **15-01**
- (52) **U.S. Cl.** ..... **D15/1**
- (58) **Field of Classification Search** ..... D15/1-5,  
D15/149, 14, 16-17; 74/606 R; 123/41.7,  
123/56, 306, 308, 661, 667, 41.66-41.67,  
123/657, 50 A-50 B, 50 R, 51 R, 51 A,  
123/195 C, 198 E, 41.01, 41.09, 70 R; 181/212,  
181/227-228, 241, 272-273  
See application file for complete search history.

- D367,070 S 2/1996 Maeda et al.
- D392,647 S 3/1998 Ueda et al.
- D396,045 S 7/1998 Neeley
- D396,476 S 7/1998 Shimizu
- D397,342 S 8/1998 Shimizu
- D398,010 S 9/1998 Yoshida et al.
- D406,146 S 2/1999 Kobayashi
- D414,498 S 9/1999 Yoshida
- D417,675 S 12/1999 Yaguchi et al.
- D421,024 S 2/2000 Katoh
- D441,714 S 5/2001 Yuzuriha
- D443,280 S 6/2001 Shimizu
- 6,240,889 B1 6/2001 Kuwabara et al.
- D444,478 S 7/2001 Shimizu
- D449,051 S 10/2001 Miyashita
- 6,331,740 B1 12/2001 Morohoshi et al.
- 6,362,533 B1 3/2002 Morohoshi et al.
- D457,891 S 5/2002 Matre
- D462,363 S 9/2002 Burmeister et al.
- 6,489,690 B1 12/2002 Hatsugai et al.

(Continued)

*Primary Examiner*—Ian Simmons  
*Assistant Examiner*—Wan Laymon  
(74) *Attorney, Agent, or Firm*—Alston & Bird LLP

(56) **References Cited**  
U.S. PATENT DOCUMENTS

- D257,844 S 1/1981 Stevens
- D282,071 S 1/1986 Nakamura
- D294,832 S 3/1988 Itou et al.
- 4,813,385 A 3/1989 Yamaguchi et al.
- D305,432 S 1/1990 Hashigaki
- D307,147 S 4/1990 Sasaki et al.
- D307,148 S 4/1990 Mikado
- D308,871 S 6/1990 Harkness et al.
- D308,872 S 6/1990 Harkness et al.
- D309,457 S 7/1990 Eifert et al.
- D309,458 S 7/1990 Johnson et al.
- 5,072,627 A 12/1991 Horiye et al.
- D330,897 S 11/1992 Carlson et al.
- D331,929 S 12/1992 Leaf et al.
- 5,197,426 A 3/1993 Frangesch et al.
- D342,076 S 12/1993 Heismann
- D343,843 S 2/1994 Mikado
- D353,381 S 12/1994 Yoshida et al.

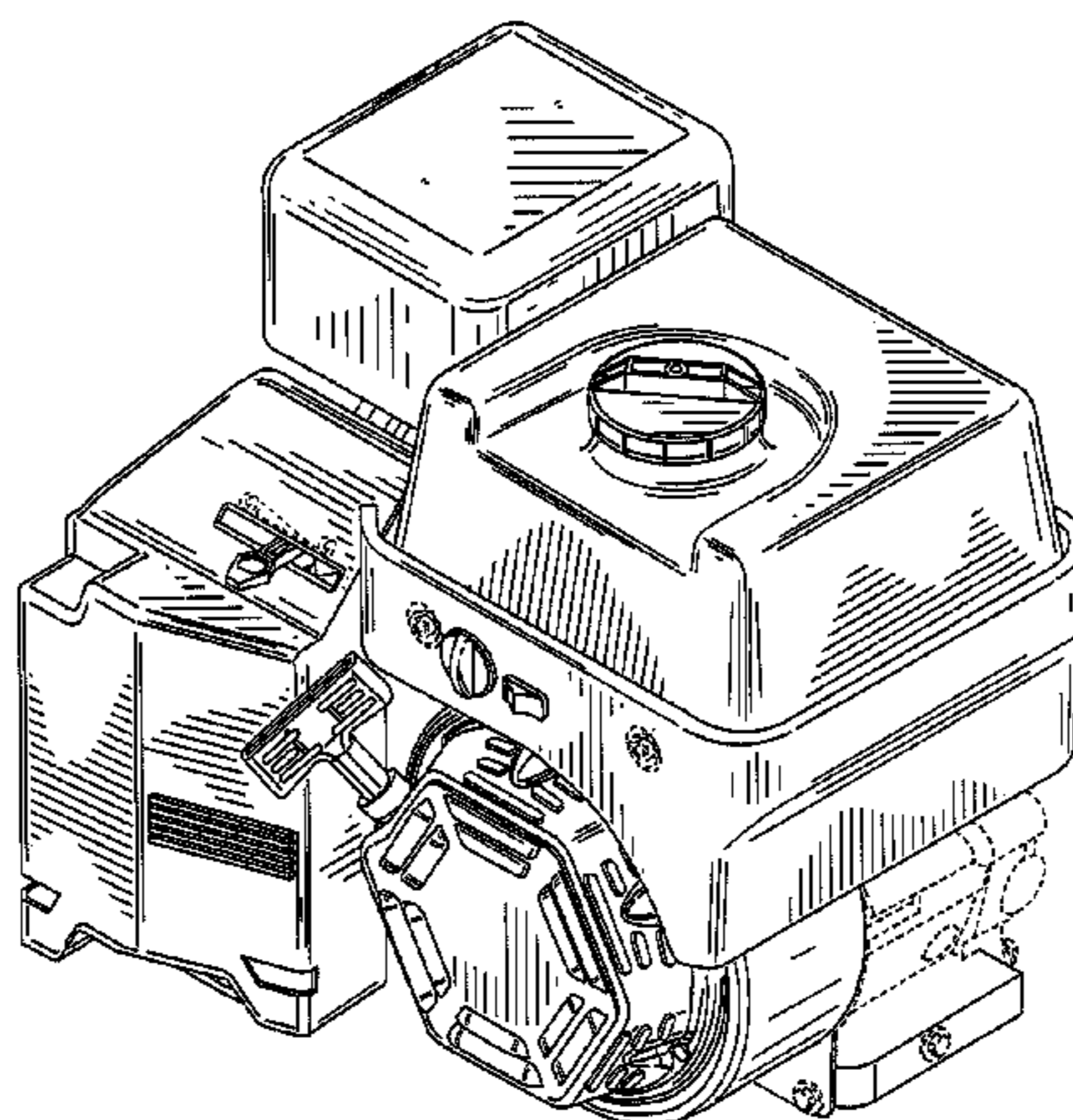
(57) **CLAIM**

The ornamental design for engine, as shown and described.

**DESCRIPTION**

FIG. 1 is a perspective view of engine according to our new design;  
FIG. 2 is a right side elevation view thereof;  
FIG. 3 is a bottom plan view view thereof;  
FIG. 4 is a front elevation view thereof;  
FIG. 5 is a rear elevation view thereof;  
FIG. 6 is a left side elevation view thereof; and,  
FIG. 7 is a top plan view thereof.  
The broken lines shown herein are for illustrative purposes only and form no part of the claimed design.

**1 Claim, 7 Drawing Sheets**



# US D570,877 S

Page 2

---

## U.S. PATENT DOCUMENTS

D468,751 S	1/2003	Neeley et al.	D493,806 S	8/2004	Csiki	
6,520,141 B2	2/2003	Ryczek et al.	D503,722 S	4/2005	Stenz et al.	
6,525,430 B1	2/2003	Asai et al.	D503,723 S	4/2005	Giddens	
D471,207 S	3/2003	Kern et al.	D515,589 S *	2/2006	Lin et al. ....	D15/1
D474,783 S	5/2003	Momoi	D521,024 S	5/2006	Giddens	
D475,065 S	5/2003	Shimizu et al.	D529,046 S *	9/2006	Maeda et al. ....	D15/1
D478,042 S	8/2003	Yaguchi et al.	D532,794 S	11/2006	Glass	
D479,244 S	9/2003	Kern et al.	D552,128 S *	10/2007	Li .....	D15/1
D481,042 S	10/2003	Yuzuriha et al.	2001/0039845 A1	11/2001	Tachibana	
D481,043 S	10/2003	Yuzuriha et al.	2003/0154934 A1	8/2003	Nakamizo et al.	
D488,167 S	4/2004	Momoi	2003/0182823 A1	10/2003	Sanders et al.	
D491,192 S	6/2004	Davis	2004/0224806 A1	11/2004	Chonan	
D491,193 S	6/2004	Davis				

\* cited by examiner

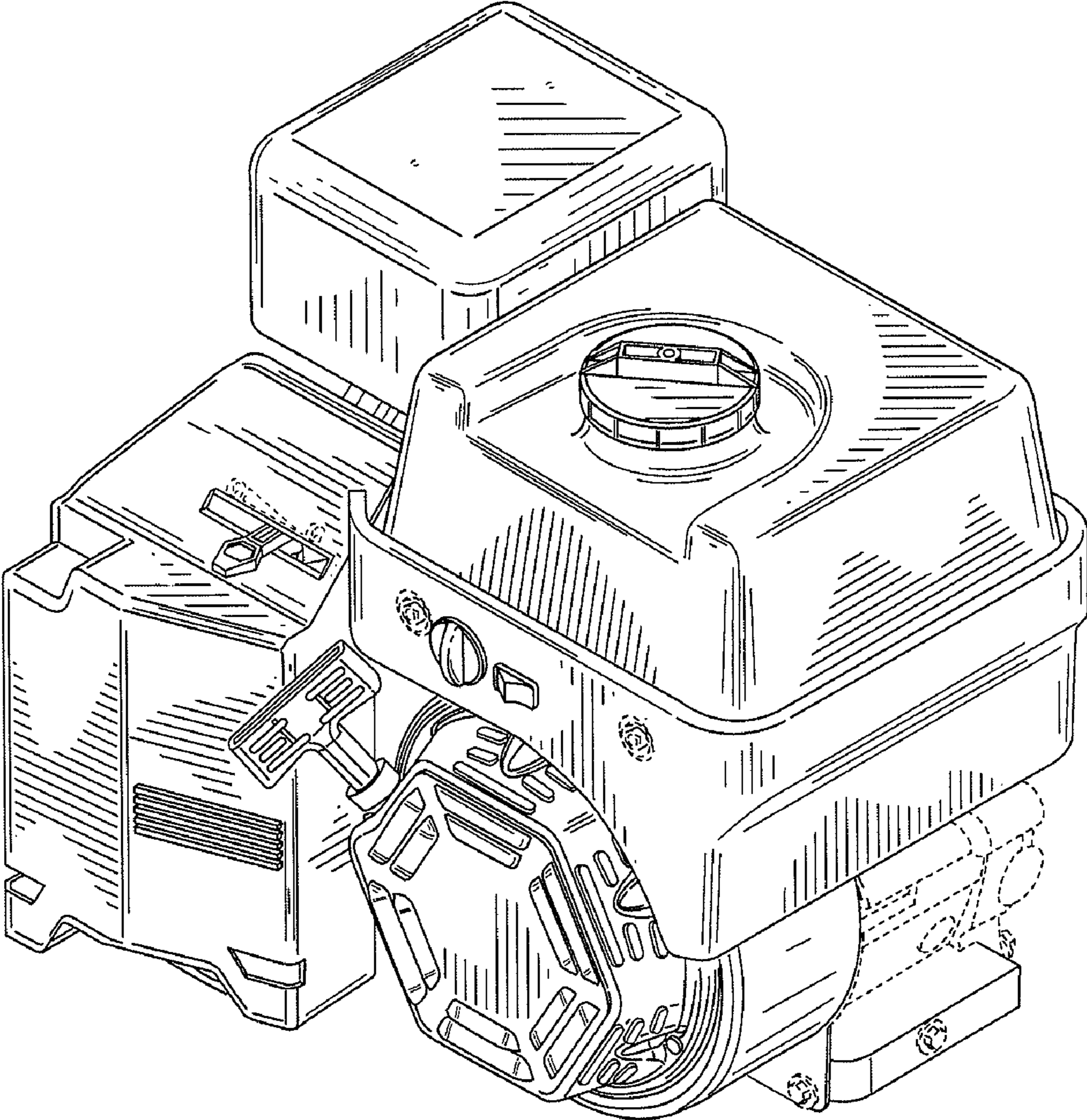


FIG. 1

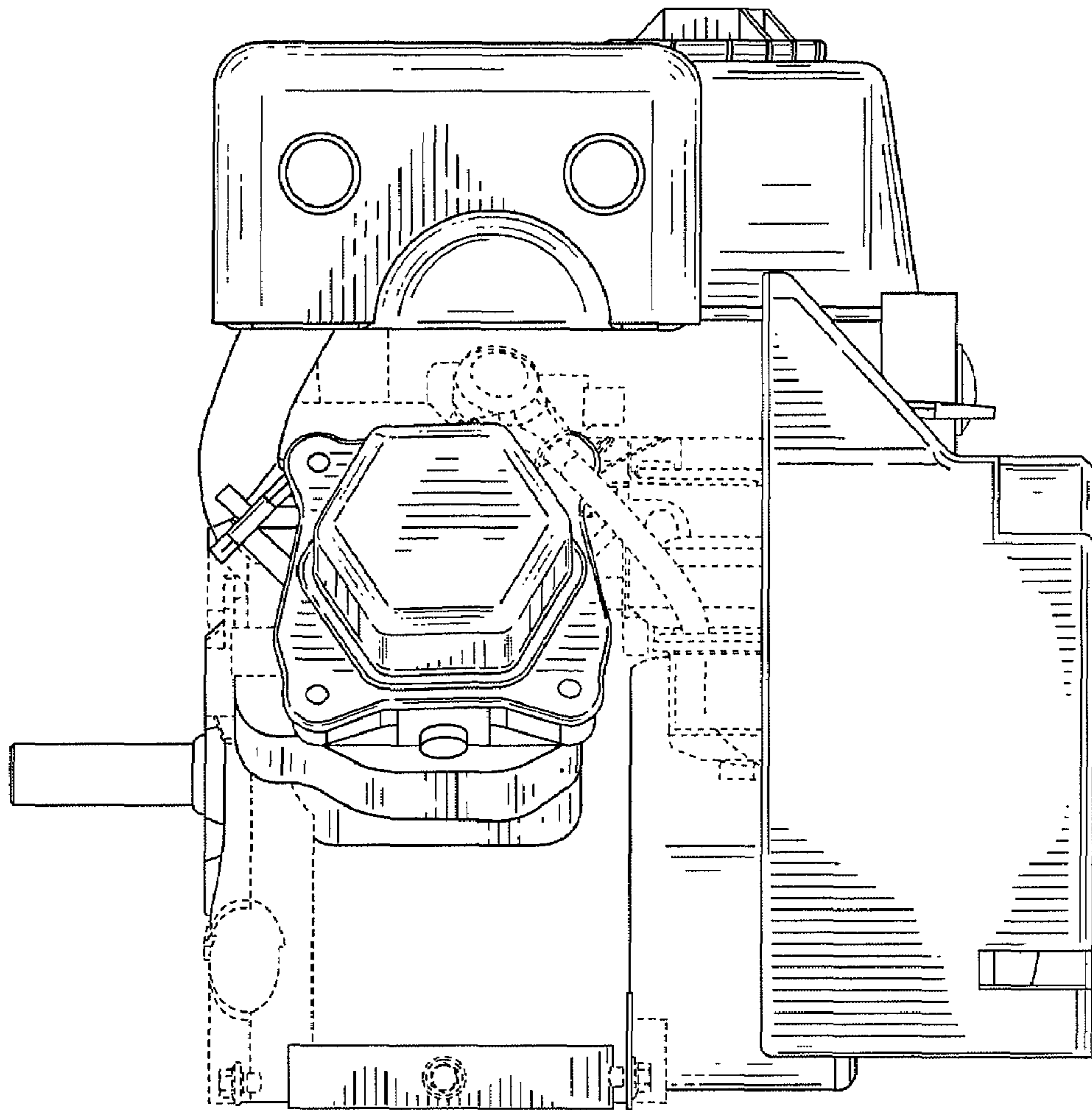


FIG. 2

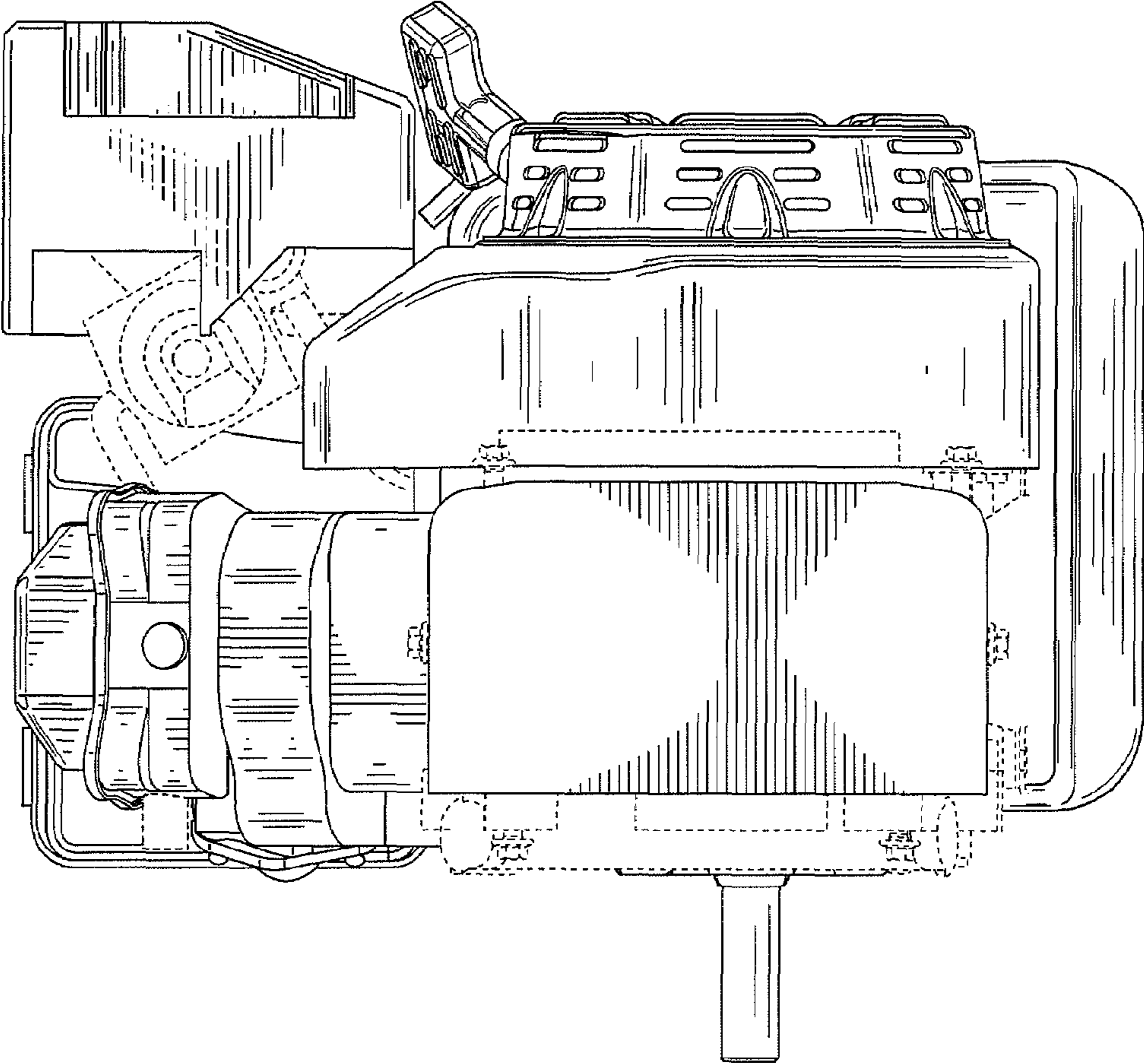


FIG. 3

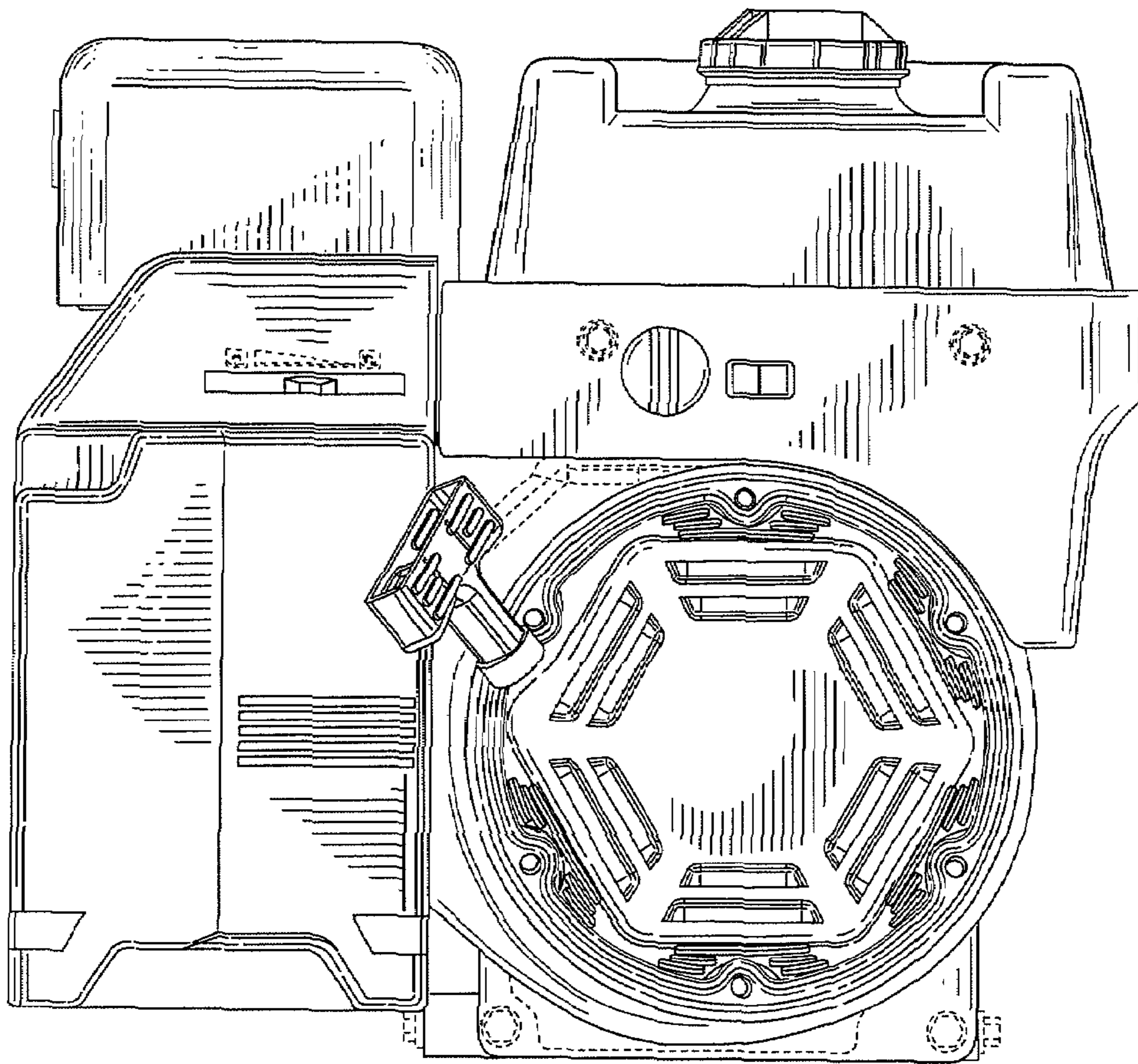


FIG. 4

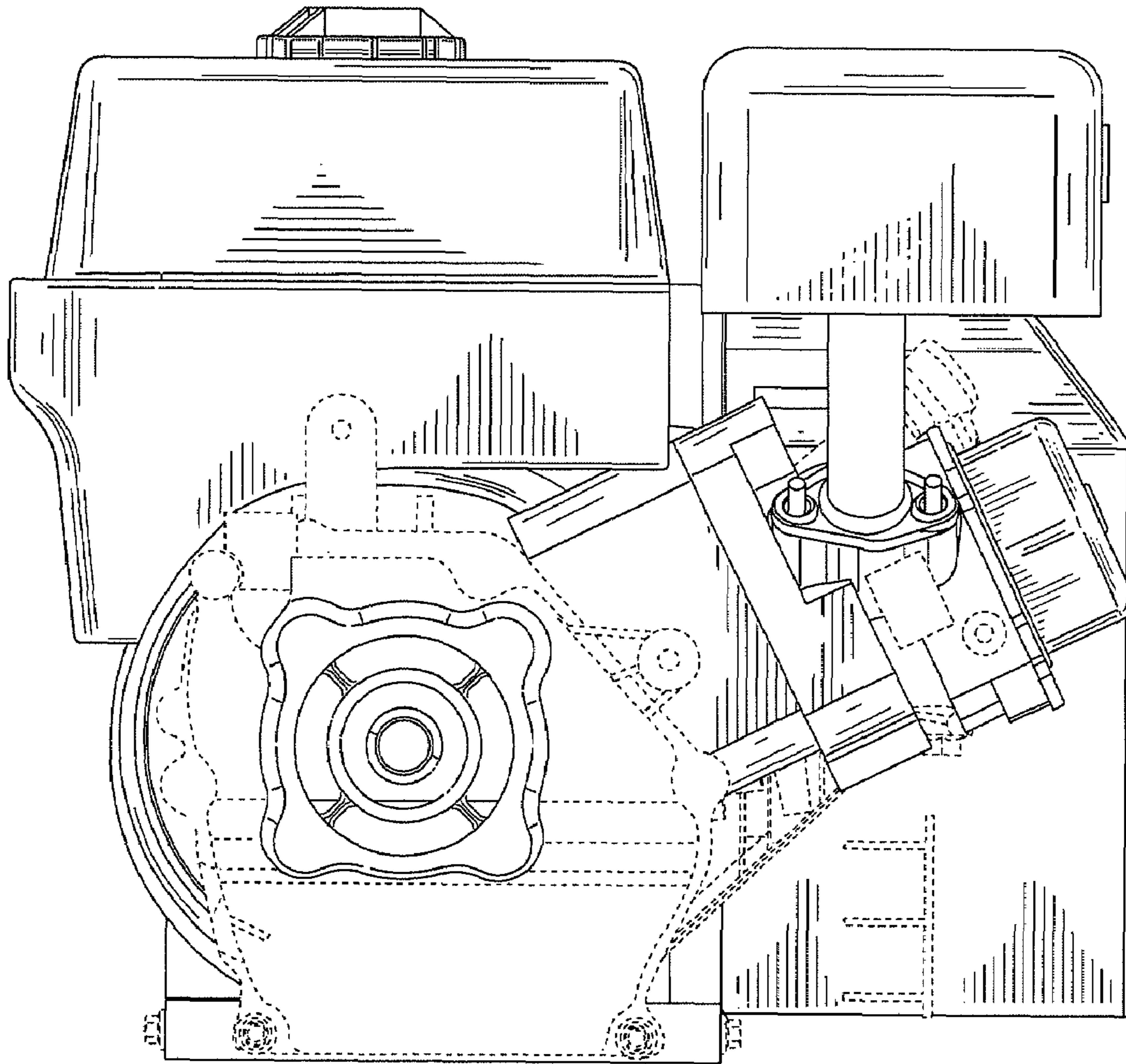


FIG. 5

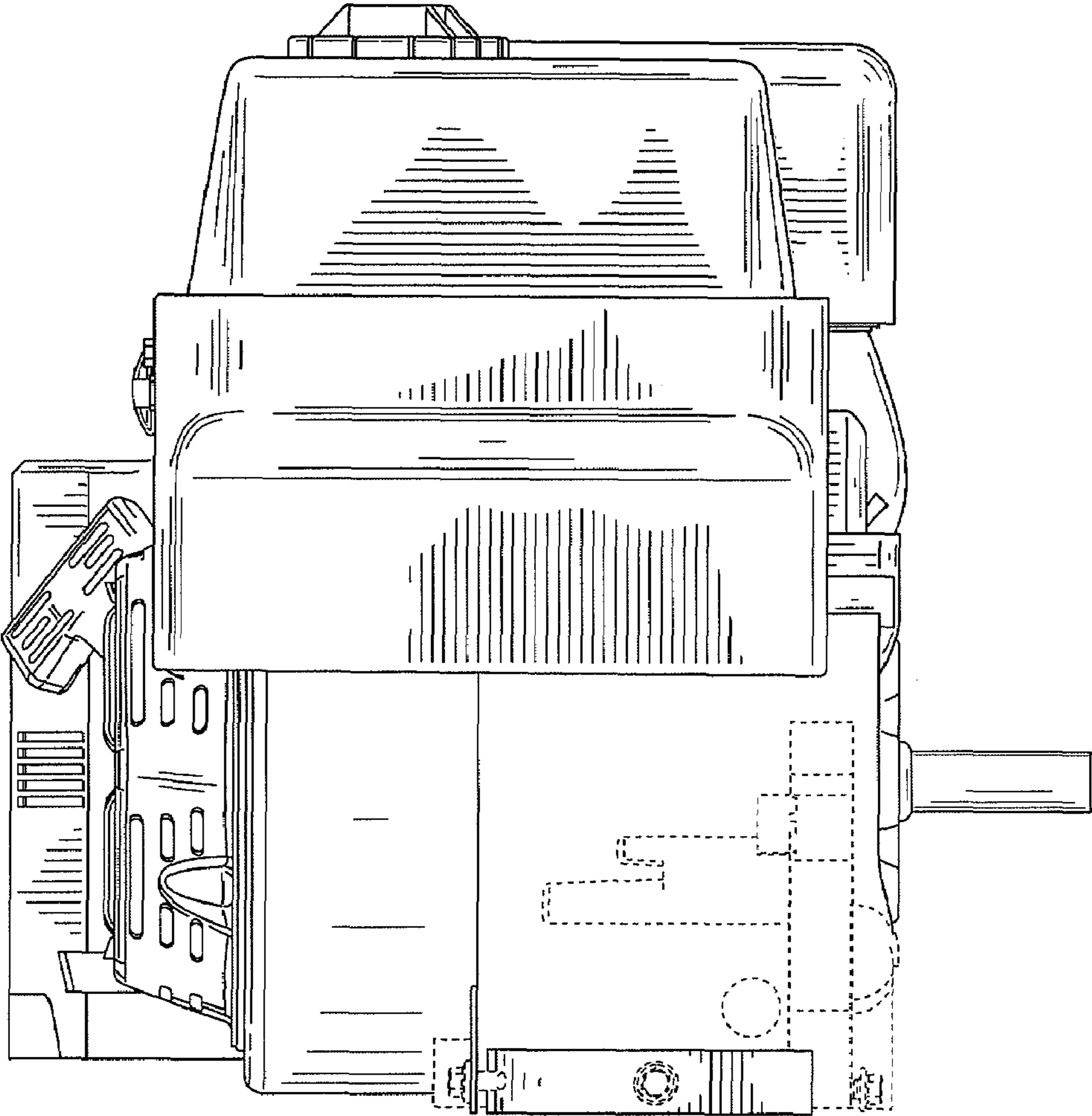


FIG. 6



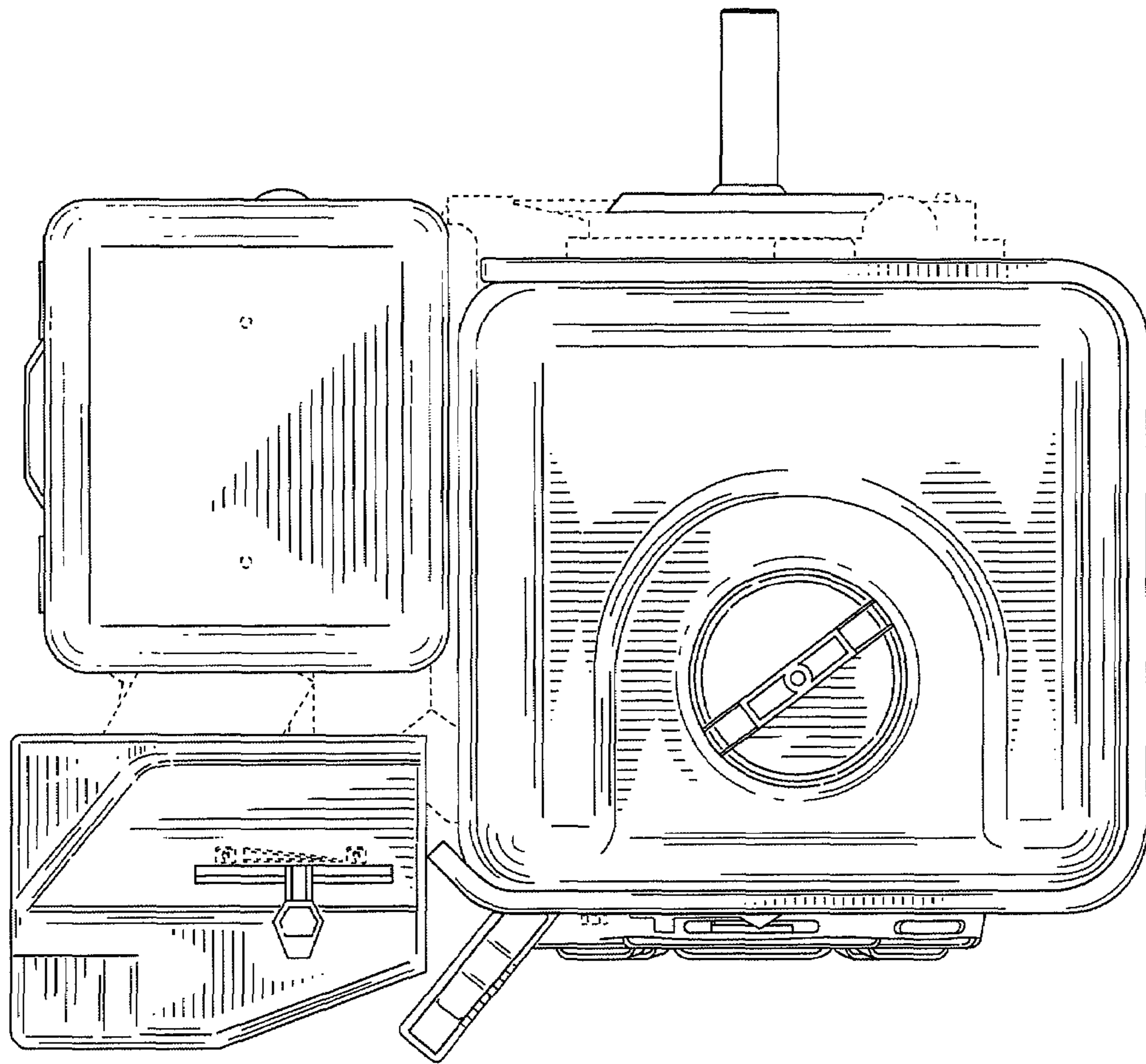


FIG. 7