

US00D570876S

(12) **United States Design Patent**
Lee

(10) **Patent No.:** **US D570,876 S**
(45) **Date of Patent:** **** Jun. 10, 2008**

(54) **PORTABLE MULTIMEDIA PLAYER**

(75) Inventor: **Myoung-Yong Lee**, Seoul (KR)

(73) Assignee: **Cowon Systems, Inc.** (KR)

(**) Term: **14 Years**

(21) Appl. No.: **29/295,702**

(22) Filed: **Oct. 4, 2007**

(30) **Foreign Application Priority Data**

May 10, 2007 (KR) 30-2007-0020471

(51) **LOC (8) Cl.** **14-03**

(52) **U.S. Cl.** **D14/496**

(58) **Field of Classification Search** D14/496,
D14/401, 435, 474, 483, 217, 137, 138, 160,
D14/168; 345/156, 169, 173-179, 905; 715/727-729,
715/864; 455/11.1, 7, 73, 344-347, 93, 95;
370/342-344; 369/1, 2, 6, 12; 463/43-47;
273/148 B

See application file for complete search history.

(56) **References Cited**

U.S. PATENT DOCUMENTS

6,122,526 A * 9/2000 Parulski et al. 455/556.1
D503,409 S * 3/2005 Wong et al. D14/496
D506,476 S * 6/2005 Andre et al. D14/496
D516,579 S * 3/2006 Nakamura D14/496

7,013,164 B2 * 3/2006 Lin 455/557
D518,290 S * 4/2006 Andre et al. D3/218
D529,512 S * 10/2006 Reawsanguanwong D14/496
D533,565 S * 12/2006 Kim D14/496
D533,566 S * 12/2006 Lee D14/496
D539,814 S * 4/2007 Andre et al. D14/496
7,230,822 B2 * 6/2007 Langberg et al. 361/683
7,281,214 B2 * 10/2007 Fadell 715/745

* cited by examiner

Primary Examiner—Prabhakar Deshmukh

(74) *Attorney, Agent, or Firm*—Cantor Colburn, LLP

(57) **CLAIM**

I claim, the ornamental design for a portable multimedia player, as shown and described.

DESCRIPTION

FIG. 1 is a perspective view of a portable multimedia player, showing my new design;

FIG. 2 is a front elevational view thereof;

FIG. 3 is a rear elevational view thereof;

FIG. 4 is a left side elevational view thereof;

FIG. 5 is a right side elevational view thereof;

FIG. 6 is a top plan view thereof; and,

FIG. 7 is a bottom plan view thereof.

1 Claim, 3 Drawing Sheets

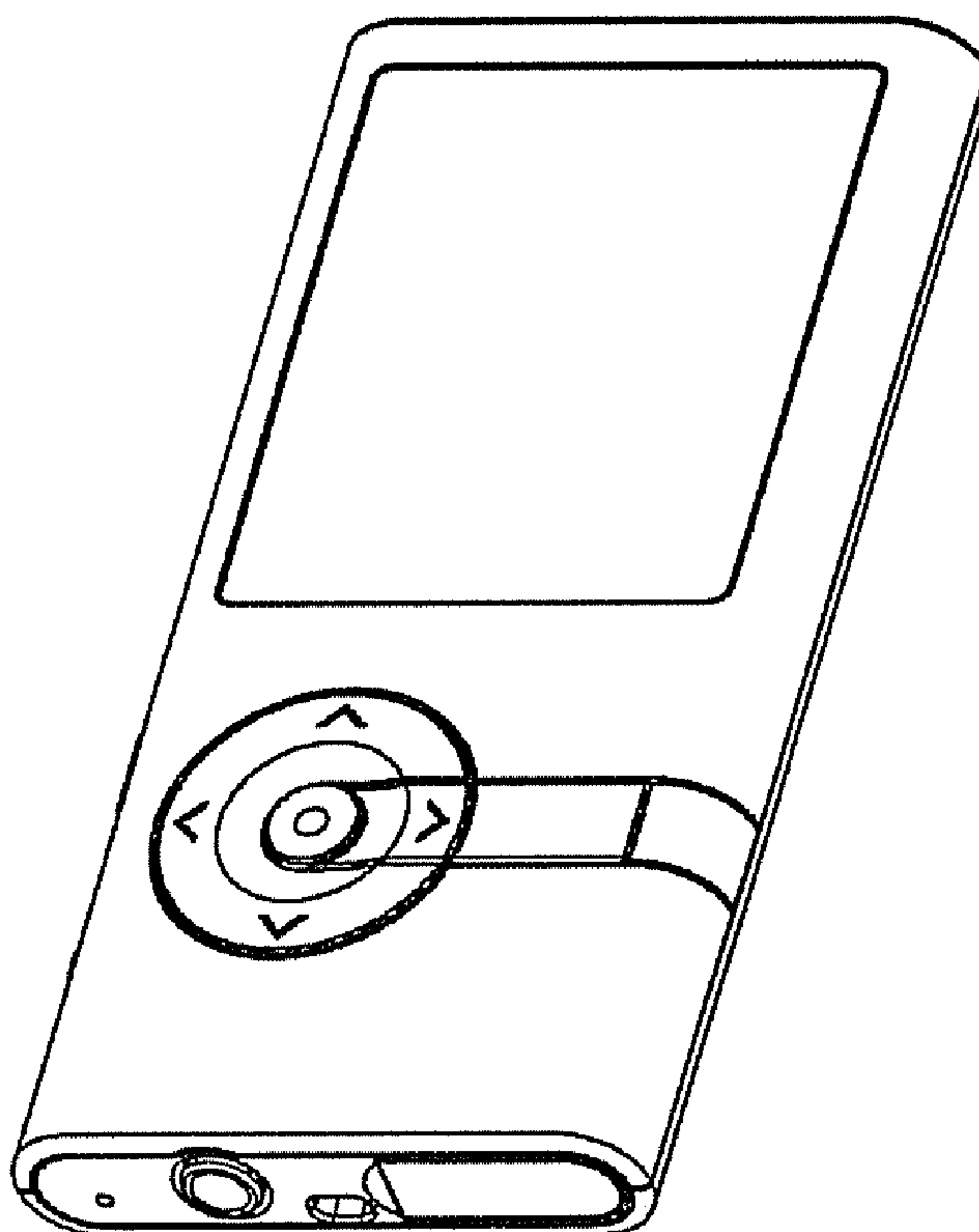


FIG. 1

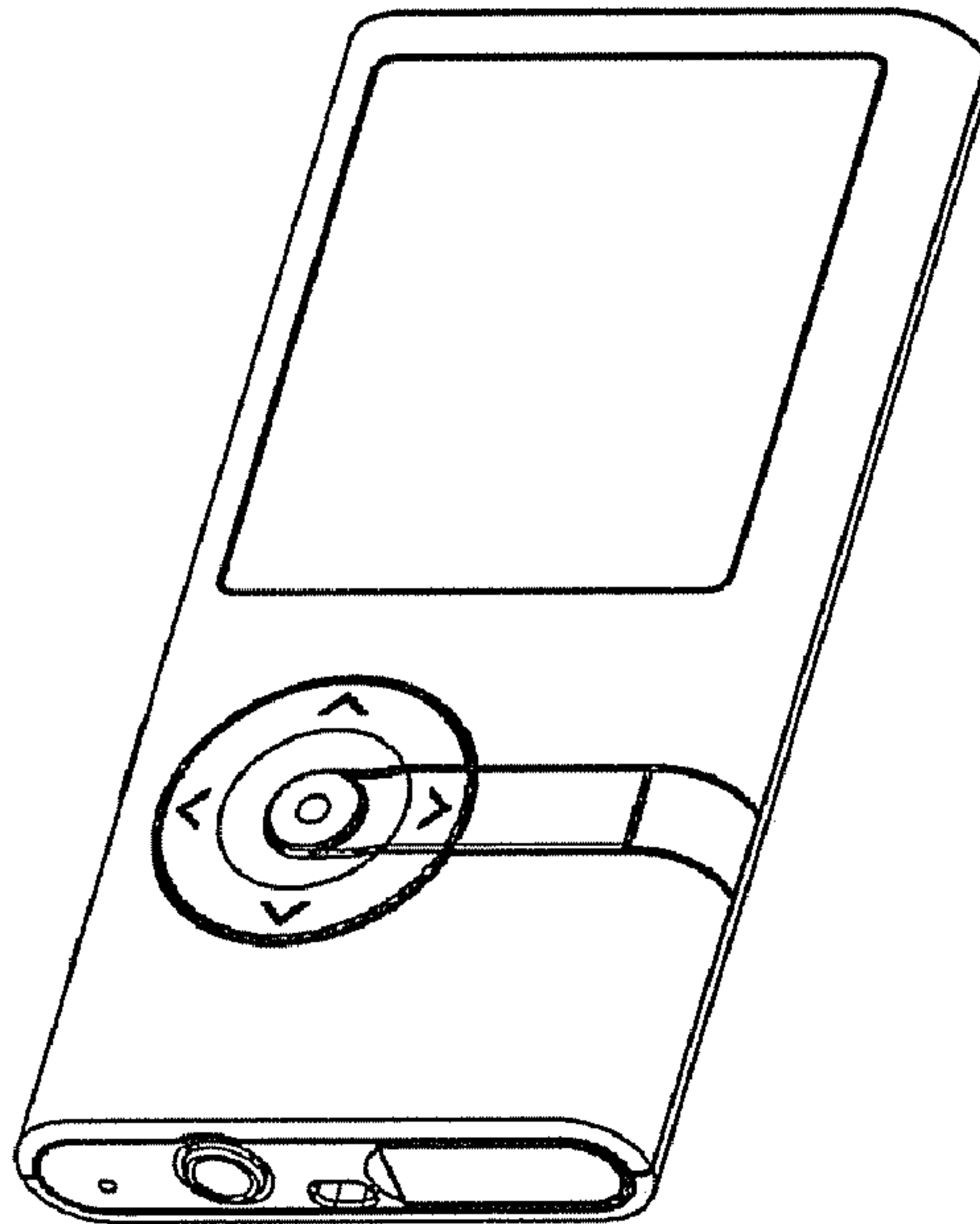


FIG. 2

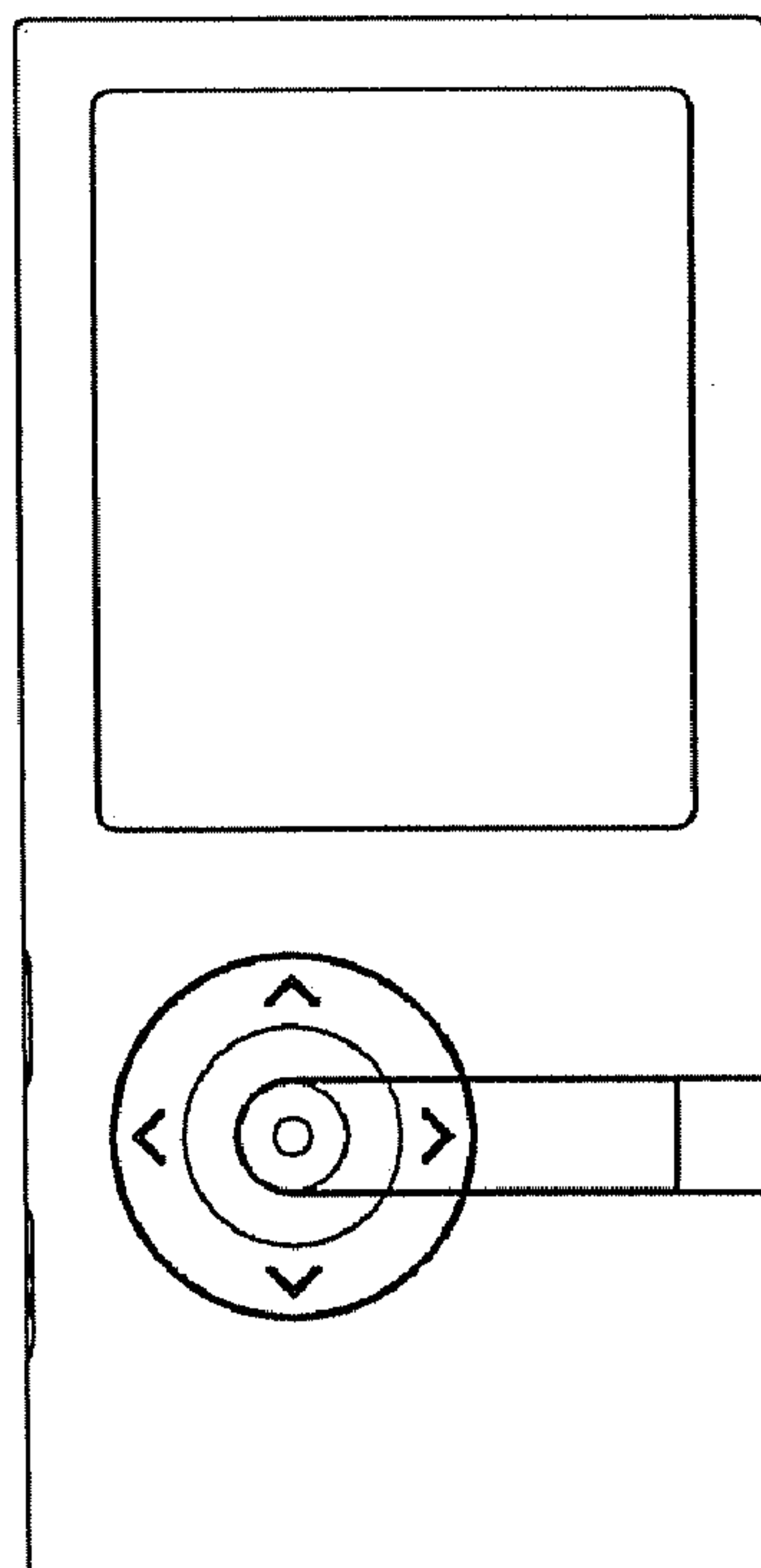


FIG 3

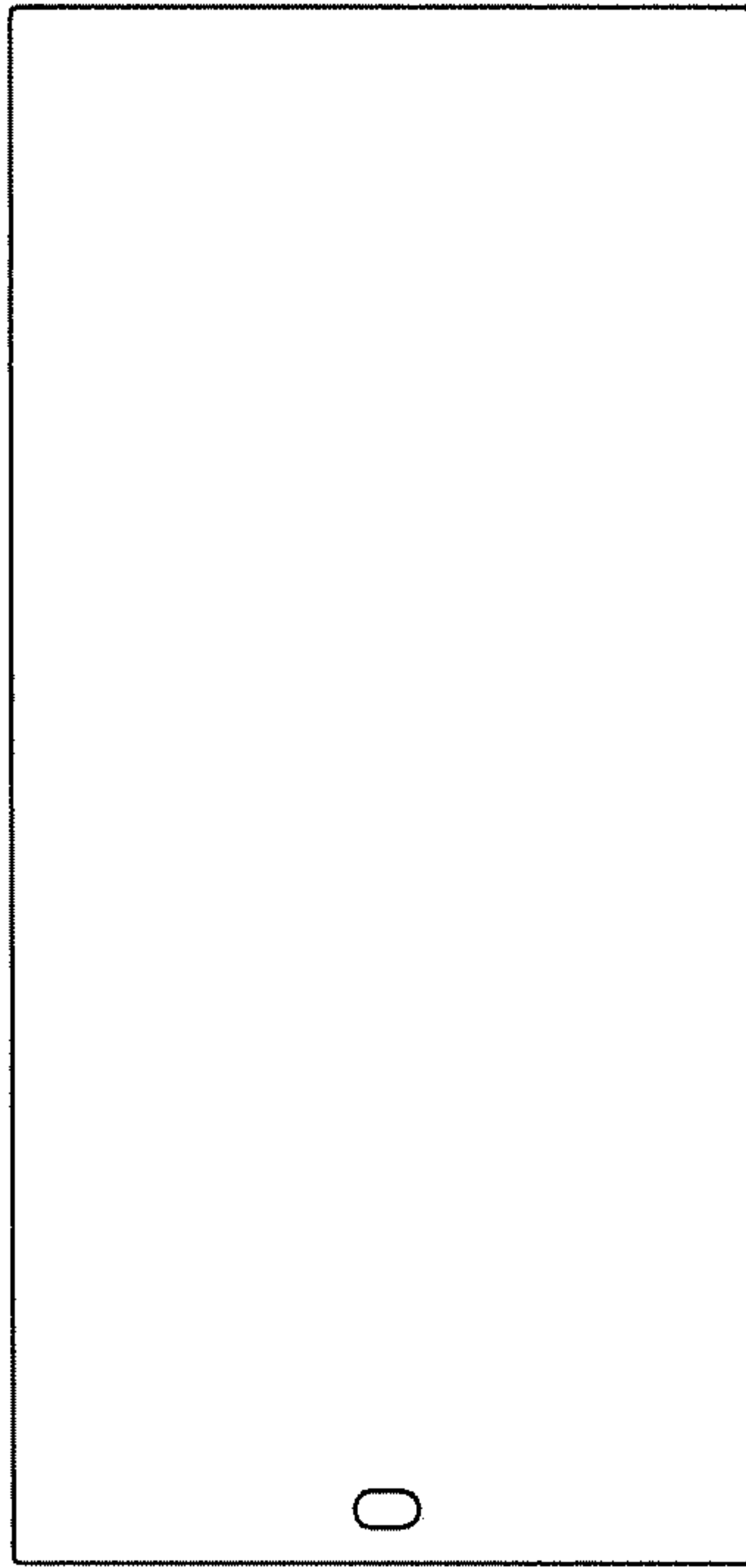


FIG 4

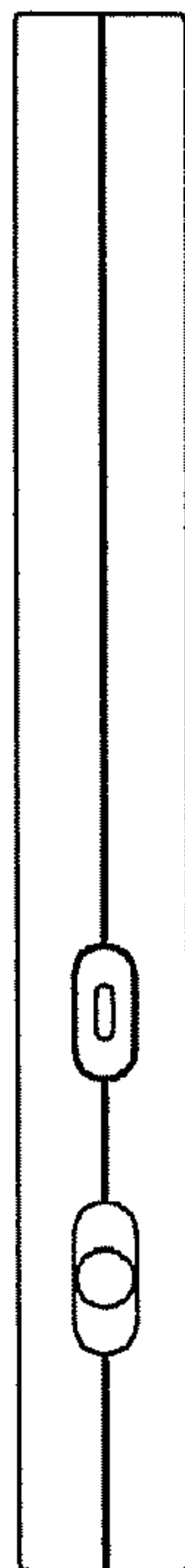


FIG. 5



FIG. 6

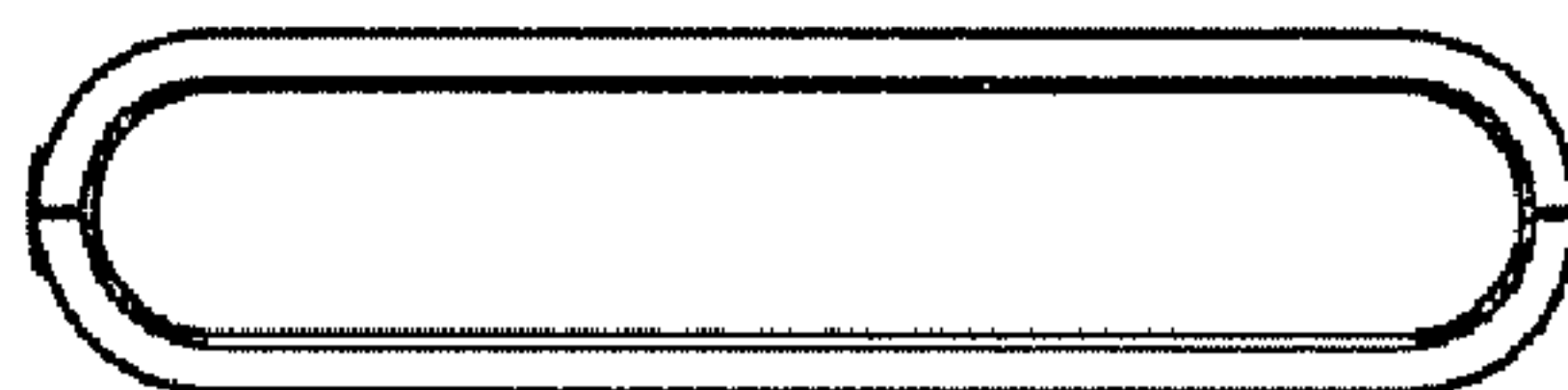


FIG. 7

