

US00D570853S

(12) **United States Design Patent**
Derry et al.

(10) **Patent No.:** **US D570,853 S**
(45) **Date of Patent:** **** Jun. 10, 2008**

(54) **BOOM EXTENSION ARM**
(75) Inventors: **Bradley A. Derry**, Easton, PA (US);
David VanDuzer, Slatington, PA (US);
Odd N. Oddsen, Jr., Easton, PA (US)
(73) Assignee: **Innovative Office Products, Inc.**,
Easton, PA (US)

5,133,547 A 7/1992 Pardi
5,170,975 A 12/1992 Chadwick
5,213,292 A 5/1993 Evans
5,477,283 A 12/1995 Casey
5,505,424 A * 4/1996 Niemann 248/585
5,538,214 A * 7/1996 Sinila 248/278.1
5,609,316 A 3/1997 Tigliev et al.

(Continued)

(**) Term: **14 Years**

(21) Appl. No.: **29/266,148**

(22) Filed: **Sep. 15, 2006**

(51) **LOC (8) Cl.** **14-03**

(52) **U.S. Cl.** **D14/452**

(58) **Field of Classification Search** D14/451,
D14/452, 129, 209, 217, 224, 237, 238, 239,
D14/432, 439, 447, 448; D8/349, 354, 355,
D8/363, 373, 380; 348/825, 827; 248/176.1,
248/205.1, 219.2, 220.21, 222.52, 222.51,
248/274.1, 276.1, 281.11, 284.1, 291.1, 309.1,
248/323, 324, 349.1, 425, 917, 918, 919,
248/920, 922, 923, 924

See application file for complete search history.

(56) **References Cited**

U.S. PATENT DOCUMENTS

919,777 A 4/1909 Savin et al.
1,189,754 A 7/1916 Trenaman
3,721,416 A 3/1973 Goudreau
3,981,340 A 9/1976 Anderson et al.
4,166,602 A 9/1979 Nilsen et al.
4,402,481 A 9/1983 Sasaki et al.
4,568,052 A 2/1986 Solomon et al.
4,846,434 A * 7/1989 Krogsrud 248/284.1
4,852,842 A * 8/1989 O'Neill 248/284.1
4,953,822 A 9/1990 Sharber et al.
5,014,693 A 5/1991 Wright, II et al.

Primary Examiner—Cathron Brooks
Assistant Examiner—Angela J Lee
(74) *Attorney, Agent, or Firm*—Lerner, David, Littenberg,
Krumholz & Mentlik, LLP

(57) **CLAIM**

The ornamental design for a boom extension arm, as shown and described.

DESCRIPTION

FIG. 1 is a perspective view of a boom extension arm in accordance with the present invention;

FIG. 2 is a right side elevational view of the boom extension arm of FIG. 1, the left side elevational view being a mirror image of the right side;

FIG. 3 is a front elevational view of the boom extension arm of FIG. 1;

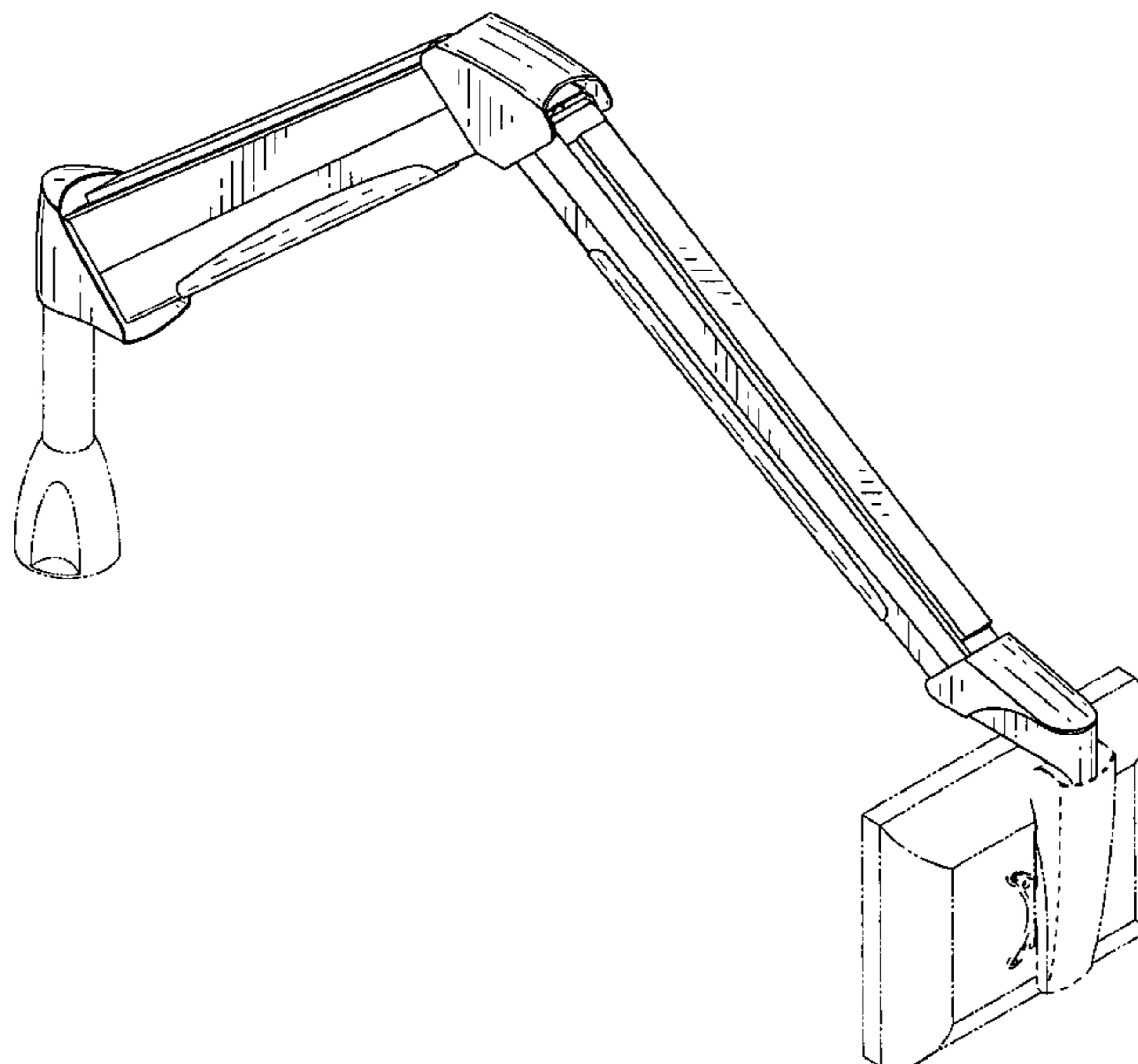
FIG. 4 is a rear elevational view of the boom extension arm of FIG. 1;

FIG. 5 is a top plan view of the boom extension arm of FIG. 1; and,

FIG. 6 is a bottom plan view of the boom extension arm of FIG. 1.

The broken line showing of portions of the design and of environment forms no part of the claimed design.

1 Claim, 4 Drawing Sheets



US D570,853 S

Page 2

U.S. PATENT DOCUMENTS

5,876,008	A	3/1999	Sweere et al.	7,188,812	B2 *	3/2007	Wang	248/276.1
5,924,665	A	7/1999	Sweere et al.	D544,489	S *	6/2007	Oddsens et al.	D14/452
5,967,479	A	10/1999	Sweere et al.	D555,657	S *	11/2007	Loyd	D14/452
6,286,794	B1 *	9/2001	Harbin	2002/0088910	A1	7/2002	Sweere et al.	
6,550,734	B1	4/2003	Spadea	2003/0075653	A1 *	4/2003	Li	248/274.1
6,553,587	B1	4/2003	Barker et al.	2004/0178312	A1 *	9/2004	Parsons	248/276.1
D495,240	S *	8/2004	Mnich et al.	2005/0230585	A1 *	10/2005	Hung	248/278.1
6,896,230	B2	5/2005	Cvek	2006/0266903	A1 *	11/2006	Oddsens et al.	248/274.1

* cited by examiner

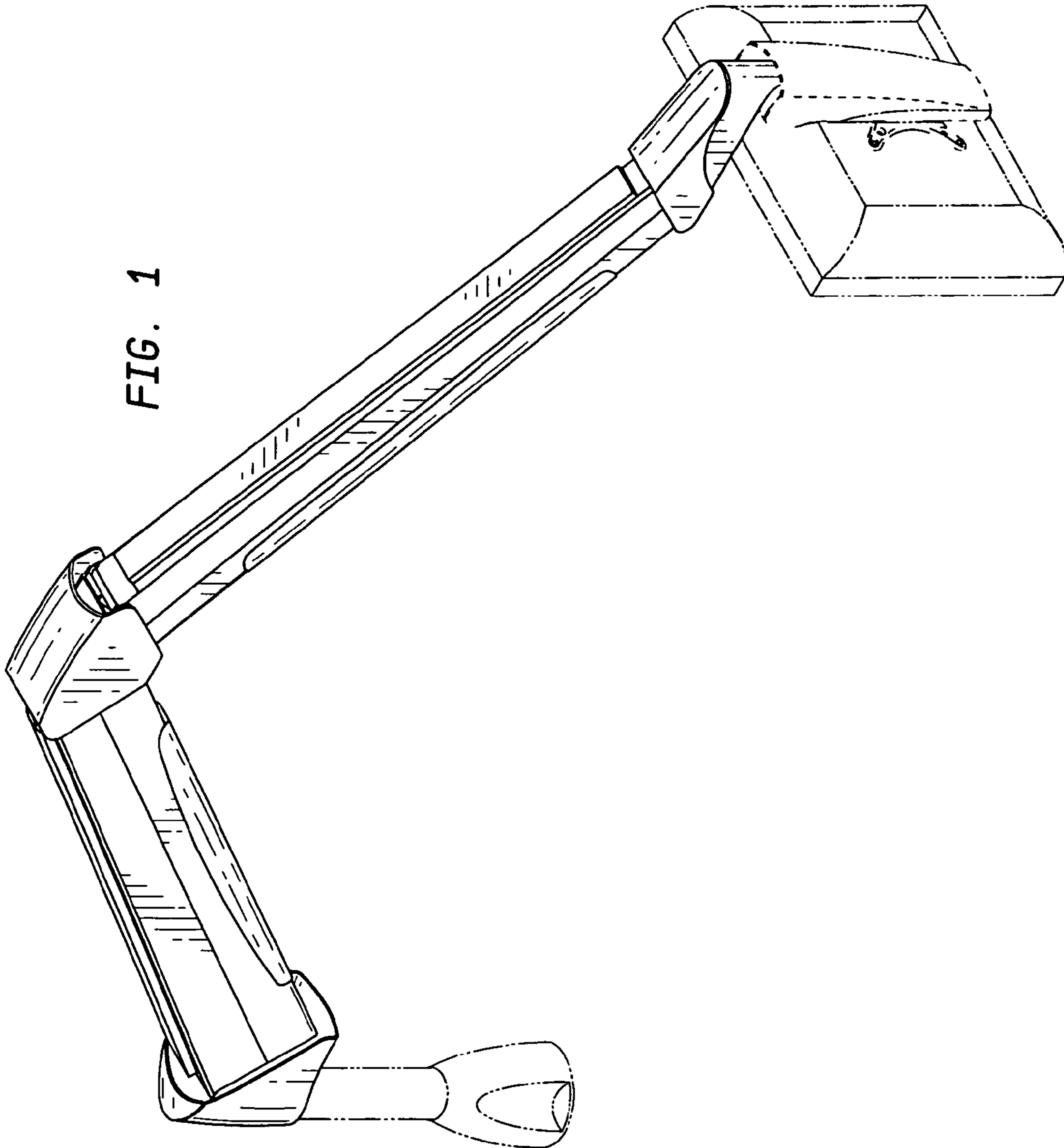


FIG. 1

FIG. 2

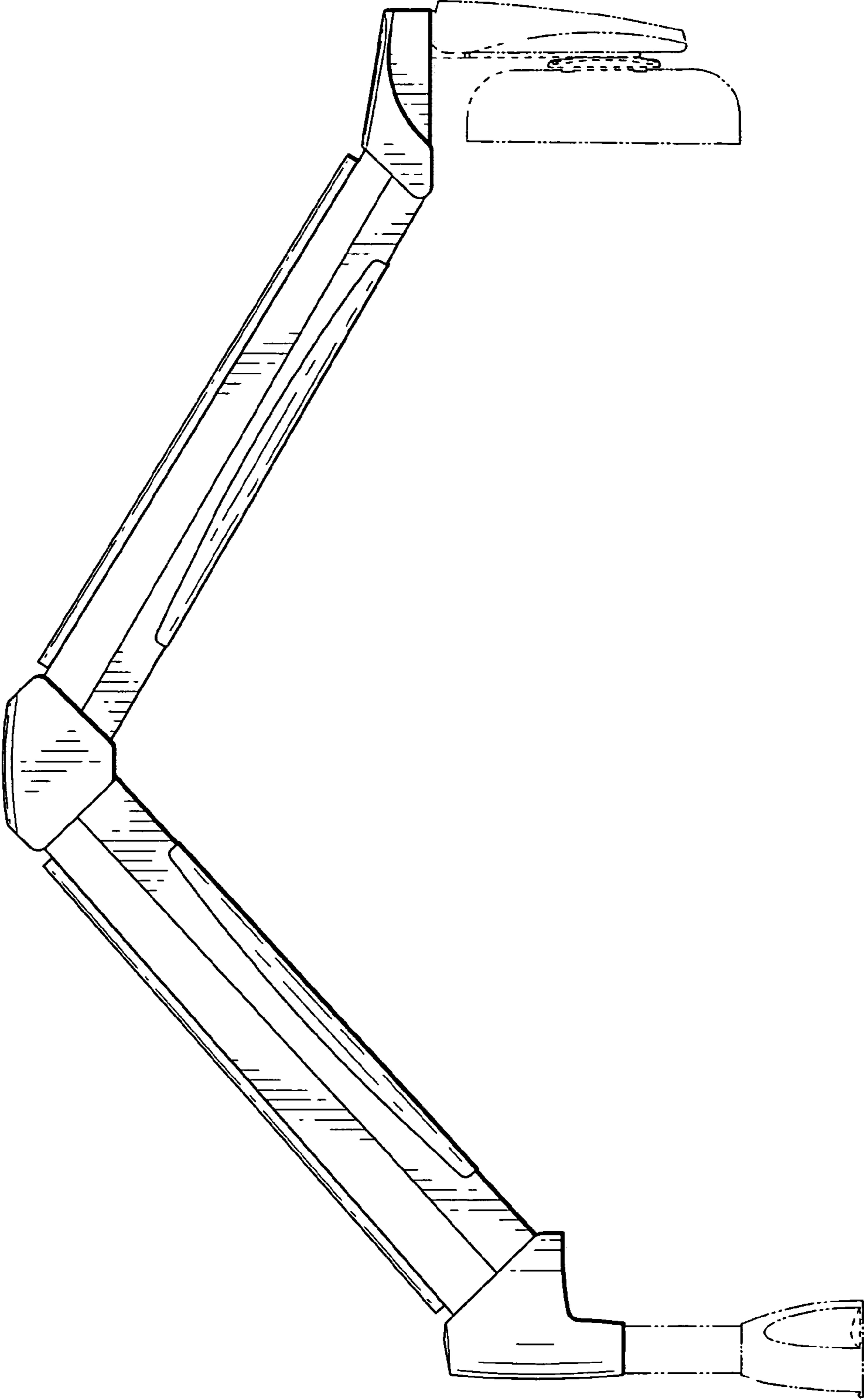


FIG. 3

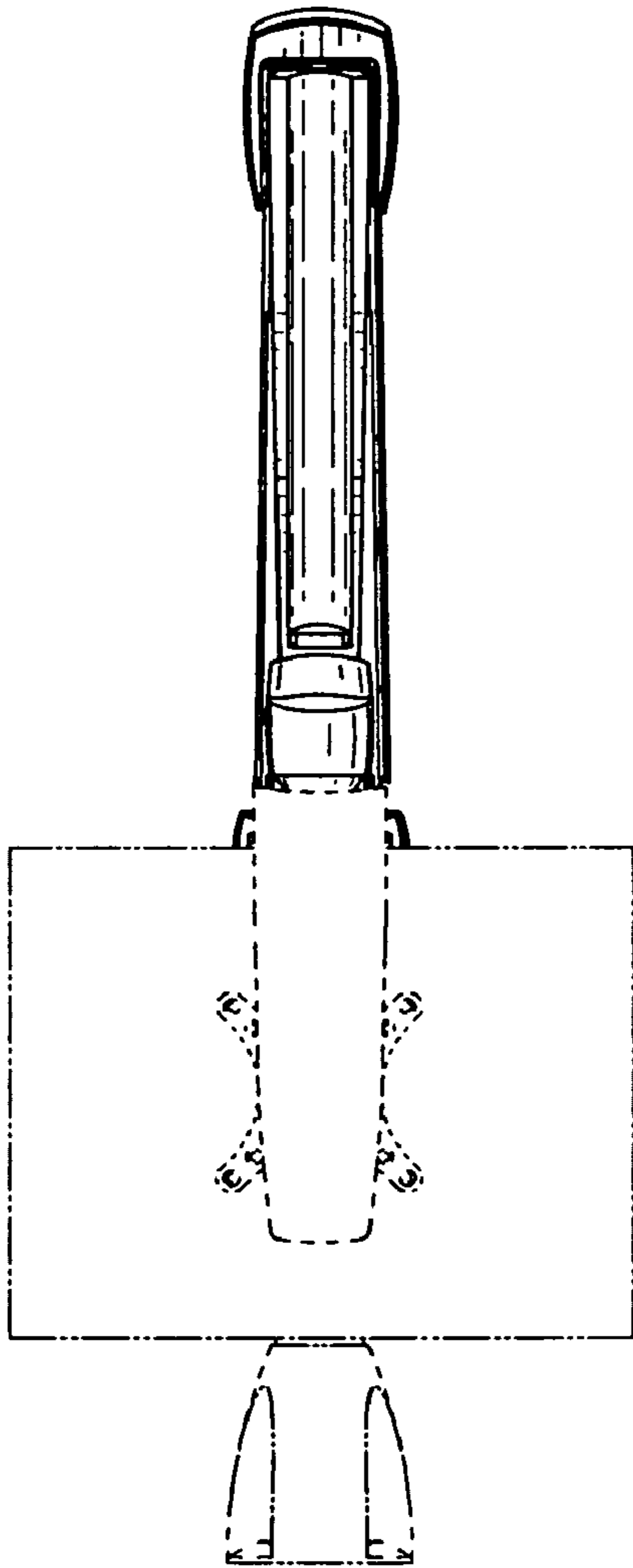
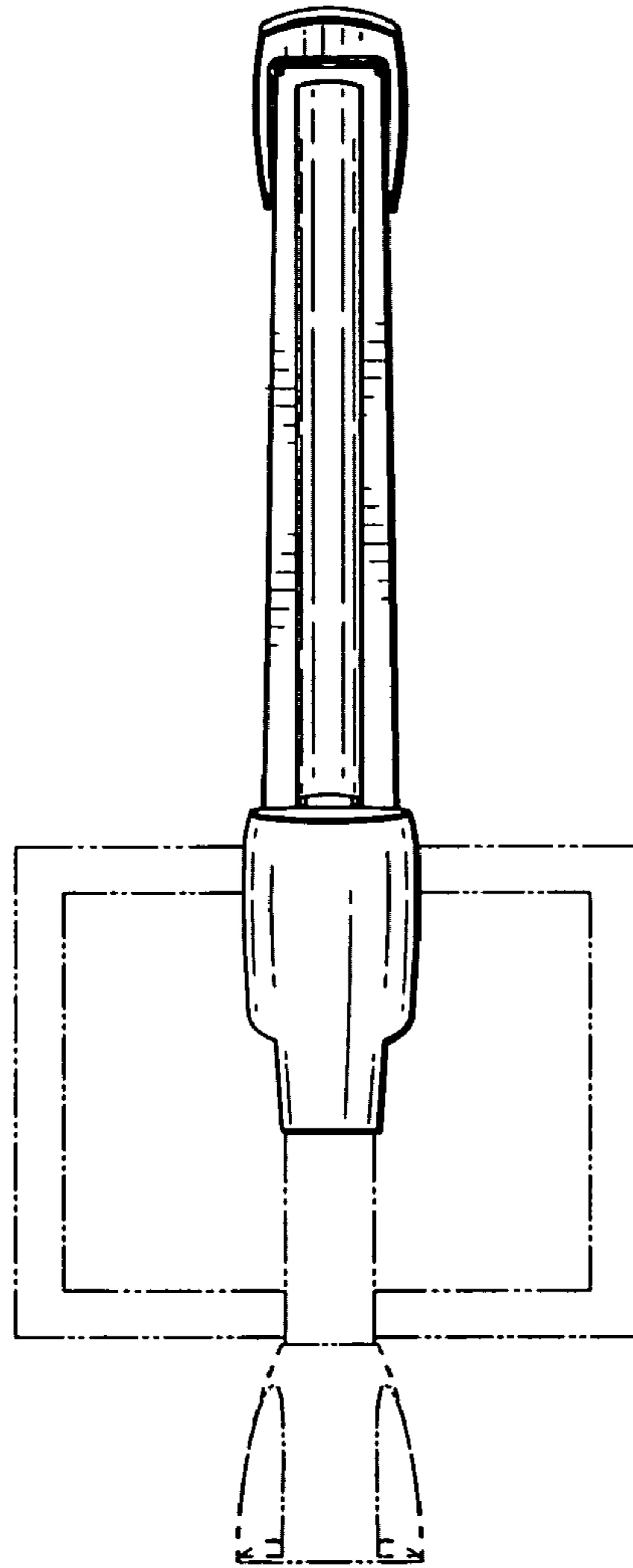


FIG. 4



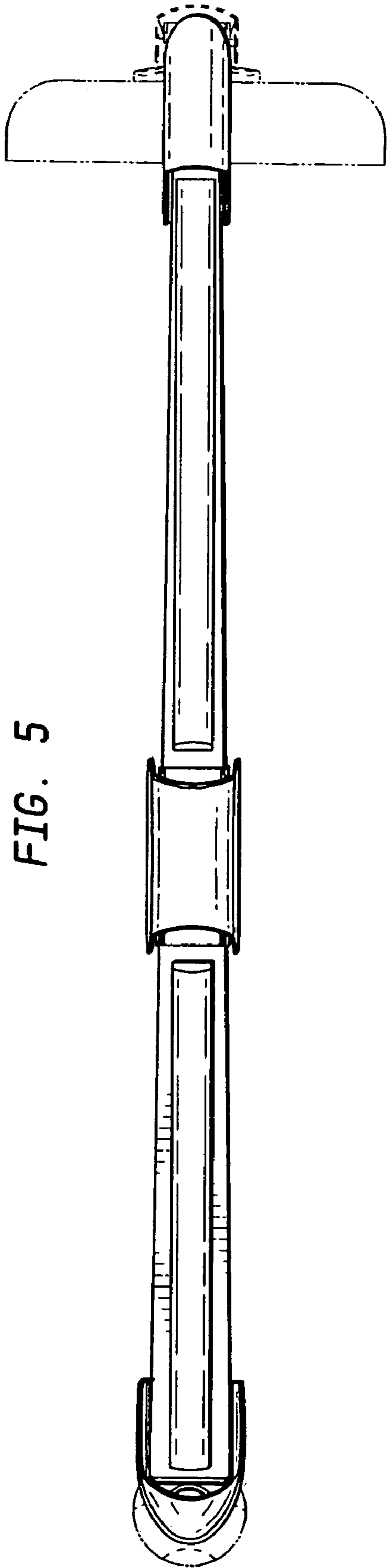


FIG. 5

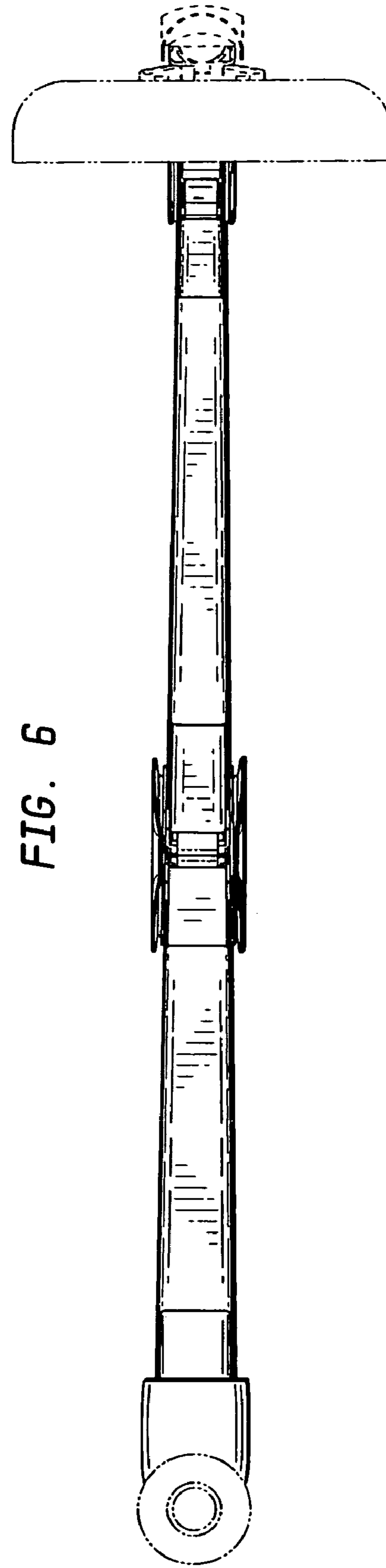


FIG. 6