

US00D570847S

(12) **United States Design Patent**
Chern

(10) **Patent No.:** **US D570,847 S**

(45) **Date of Patent:** **** Jun. 10, 2008**

(54) **MEDIA DEVICE DOCKING STATION WITH
A SPEAKER**

D542,279 S * 5/2007 Chan D14/216
7,258,709 B2 * 8/2007 Ponjican et al. 55/374
D554,107 S * 10/2007 Calco et al. D14/217

(76) Inventor: **Chyi Chern**, 30 Fuchsia, Irvine, CA
(US) 92604

* cited by examiner

(**) Term: **14 Years**

Primary Examiner—Prabhakar Deshmukh
(74) *Attorney, Agent, or Firm*—Jian Chen

(21) Appl. No.: **29/289,214**

(22) Filed: **Jul. 11, 2007**

(57) **CLAIM**

(51) **LOC (8) Cl.** **14-02**

(52) **U.S. Cl.** **D14/434**

(58) **Field of Classification Search** D14/434,
D14/432, 433, 447, 356, 357, 251, 299; D21/324,
D21/328, 332, 333; 361/600, 679–686; 320/114,
320/115; 345/156, 901, 905; 439/529, 534,
439/929; 248/309.1; 429/100

The ornamental design for a media device docking station with a speaker, as shown and described.

See application file for complete search history.

DESCRIPTION

(56) **References Cited**

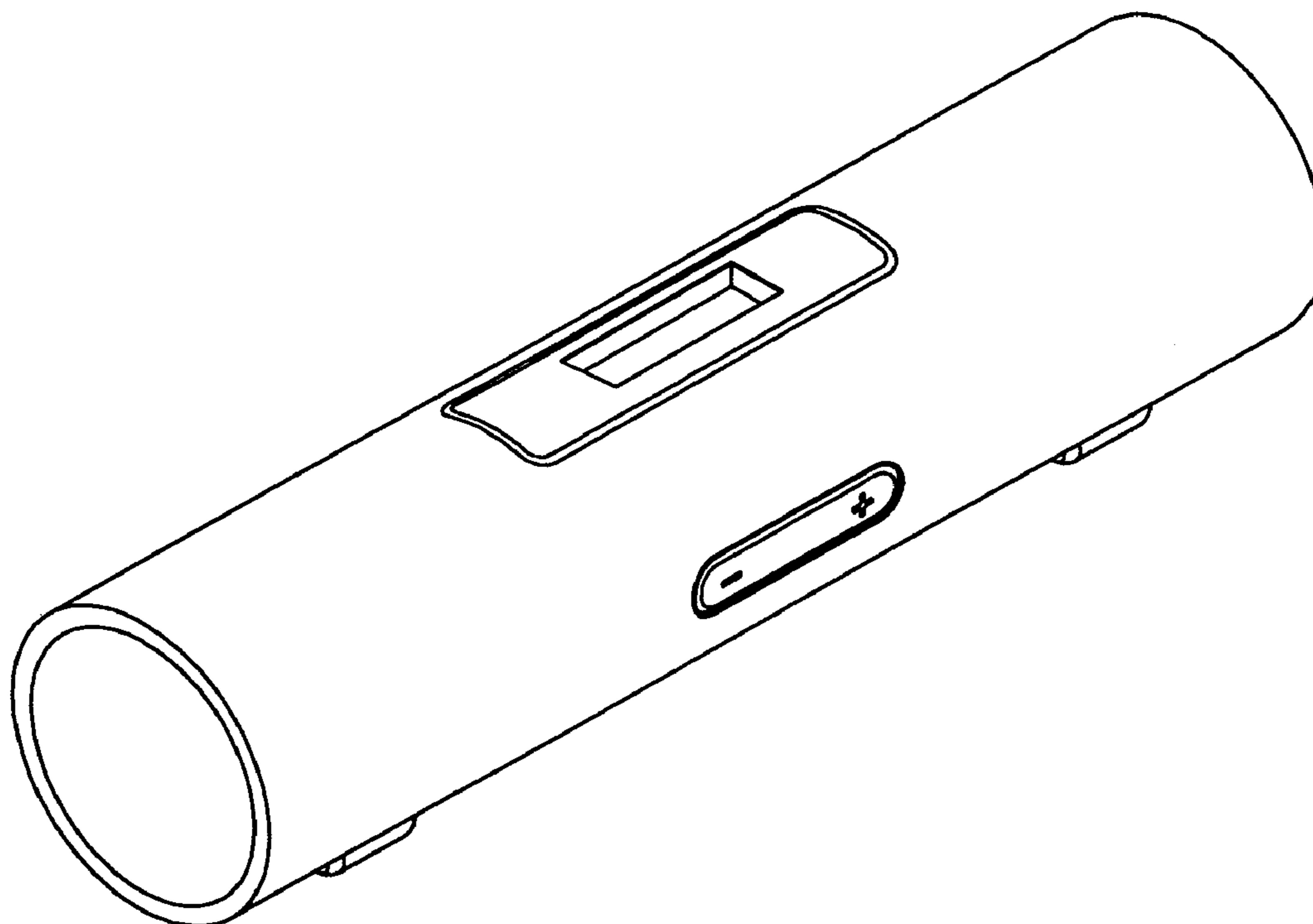
U.S. PATENT DOCUMENTS

D495,336 S * 8/2004 Andre et al. D14/434
6,898,080 B2 * 5/2005 Yin et al. 361/686
D516,562 S * 3/2006 Solomon et al. D14/434
7,079,384 B2 * 7/2006 Wang et al. 361/686
7,095,867 B2 * 8/2006 Schul et al. 381/334
7,113,218 B2 * 9/2006 Battles et al. 348/373
D540,802 S * 4/2007 Hussaini et al. D14/434
7,204,791 B1 * 4/2007 Baumler et al. 482/142

FIG. 1 is a front perspective view of a media device docking station with a speaker in accordance with the present design; FIG. 2 is a rear perspective view thereof; FIG. 3 is a front view thereof; FIG. 4 is a rear view thereof; FIG. 5 is a top view thereof; FIG. 6 is a bottom view thereof; FIG. 7 is a left side view thereof; and, FIG. 8 is a right side view thereof.

The broken lines are for illustrative purpose only and form no part of the claimed design.

1 Claim, 4 Drawing Sheets



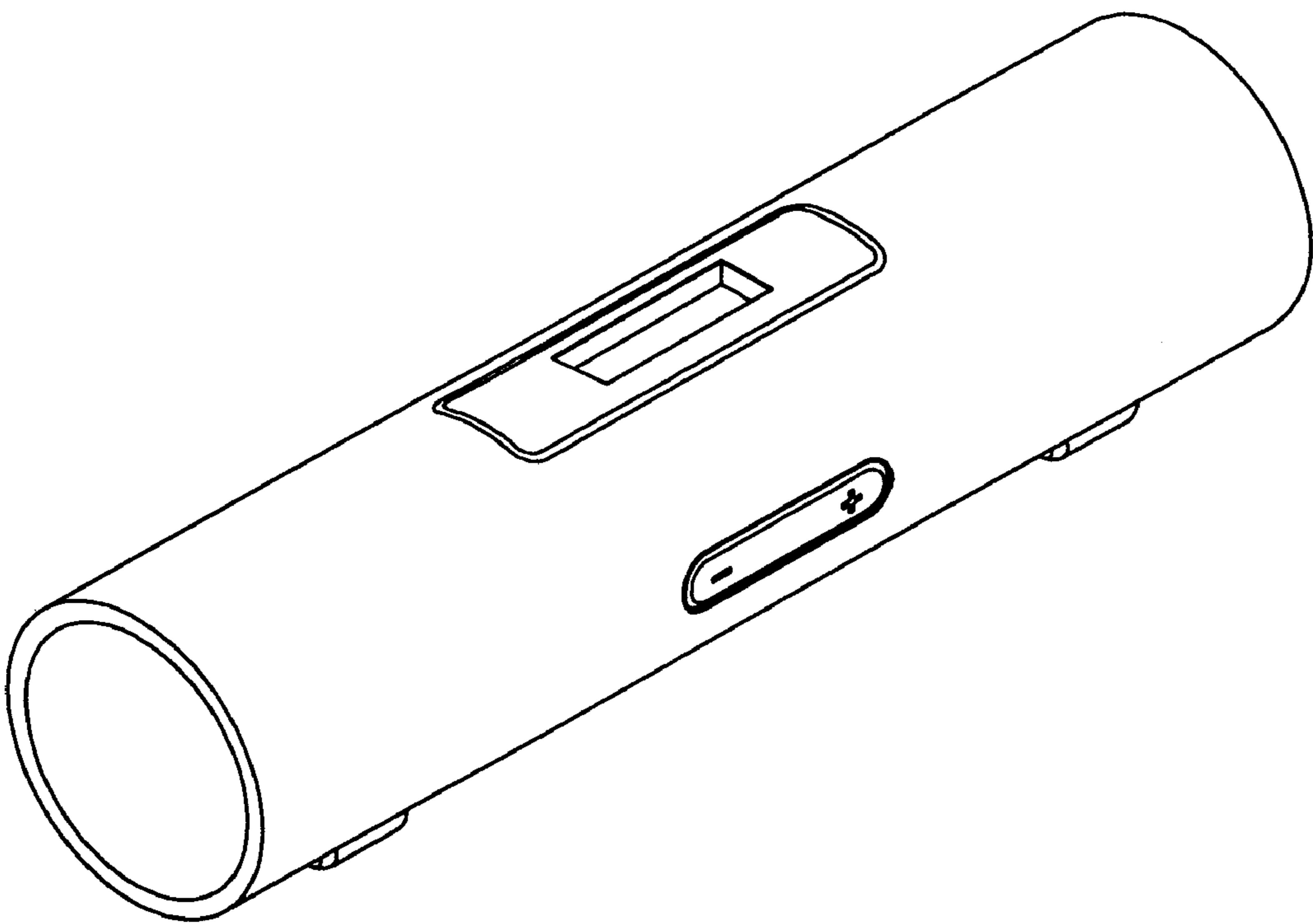


FIG. 1

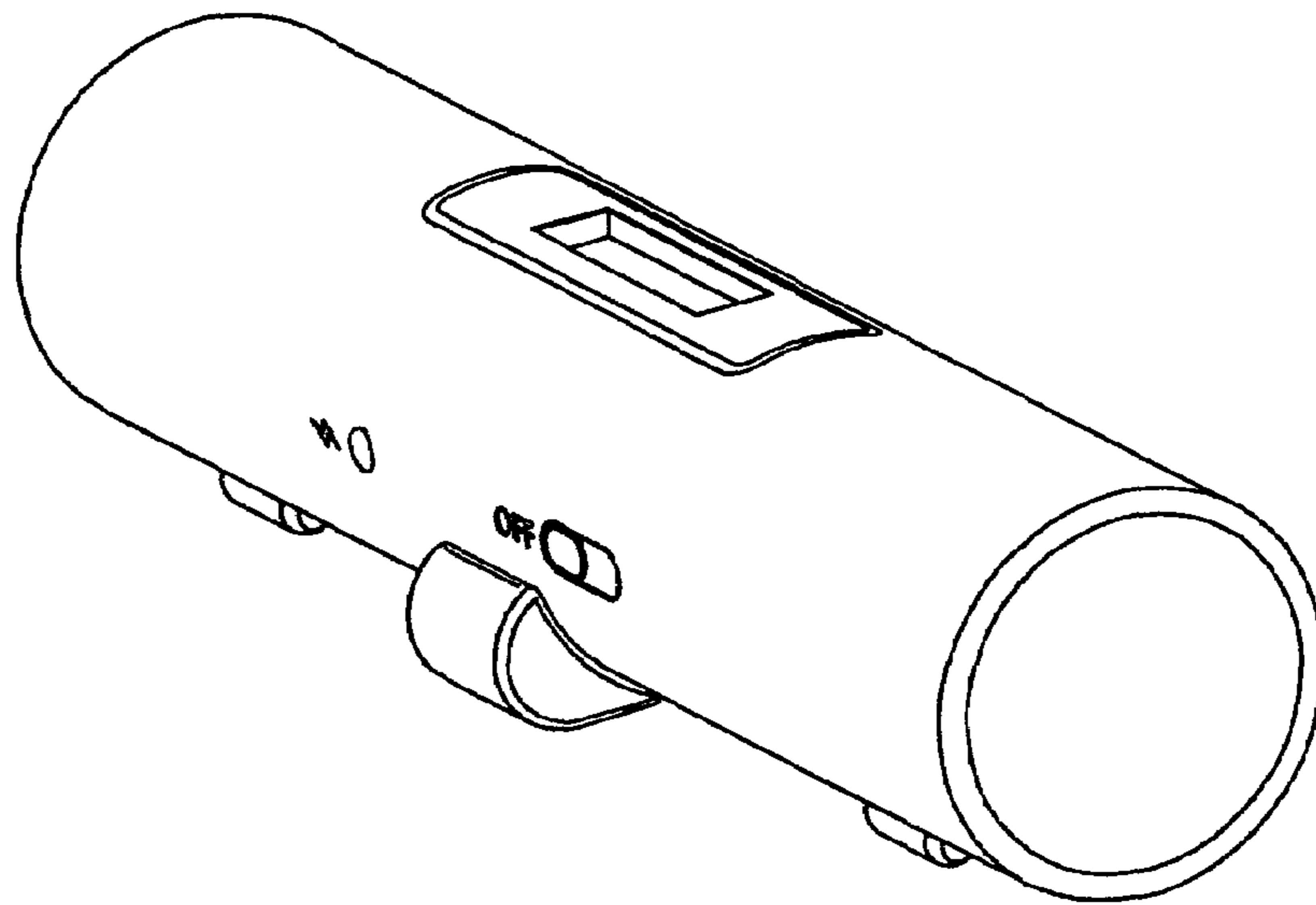


FIG. 2

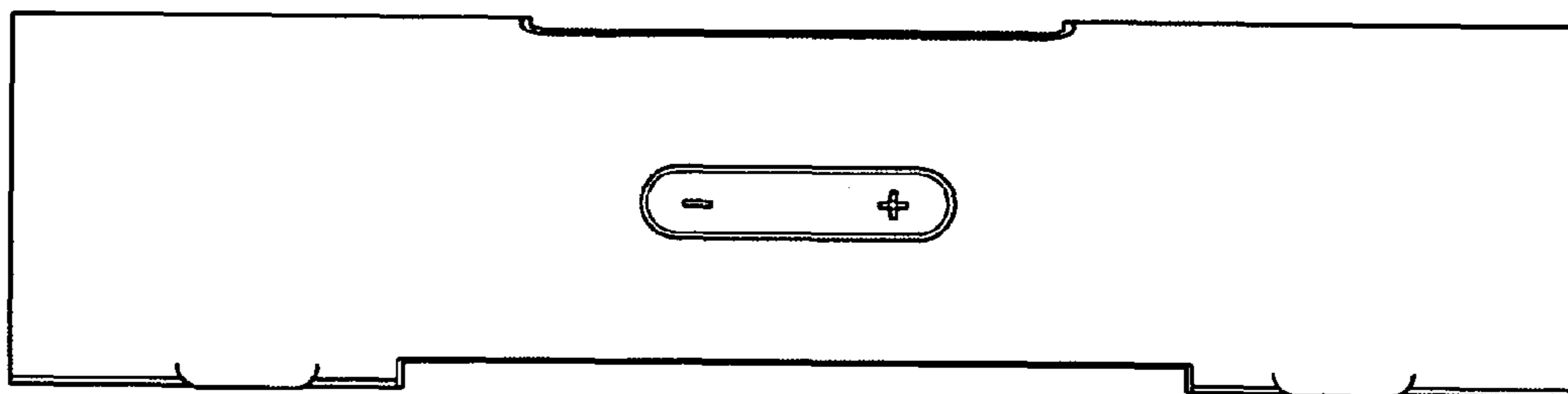


FIG. 3

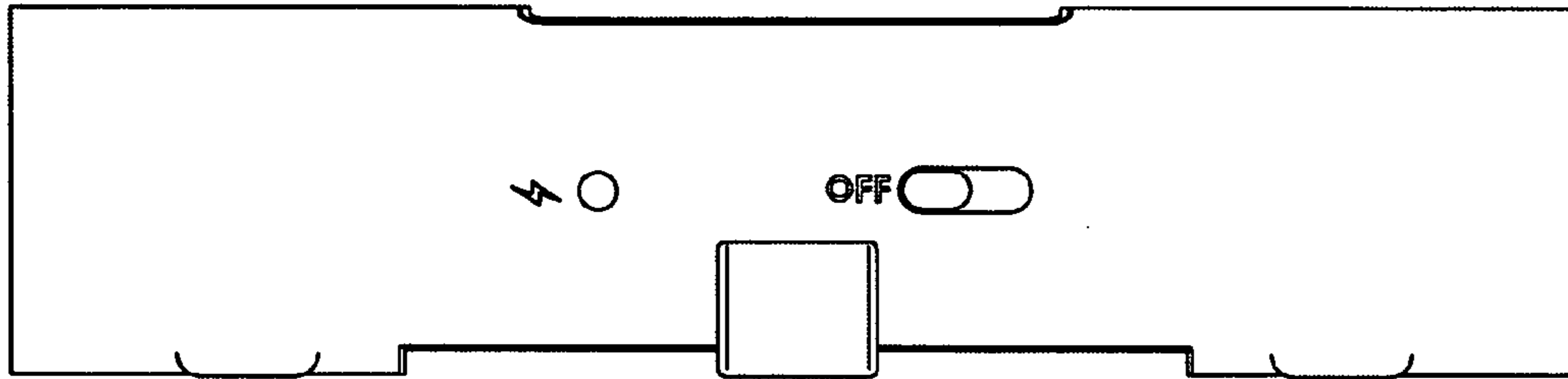


FIG. 4

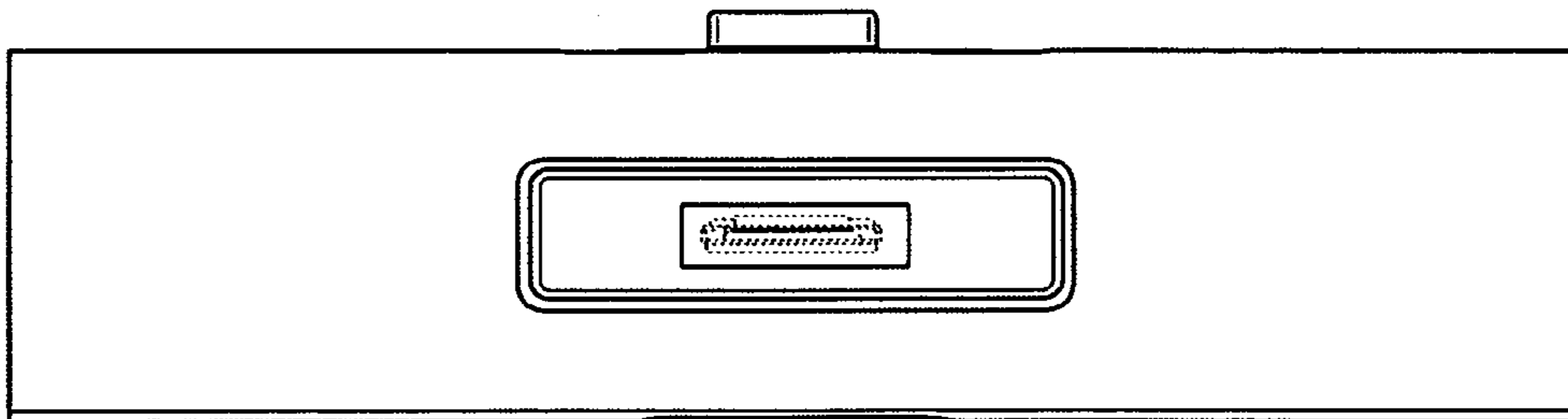


FIG. 5

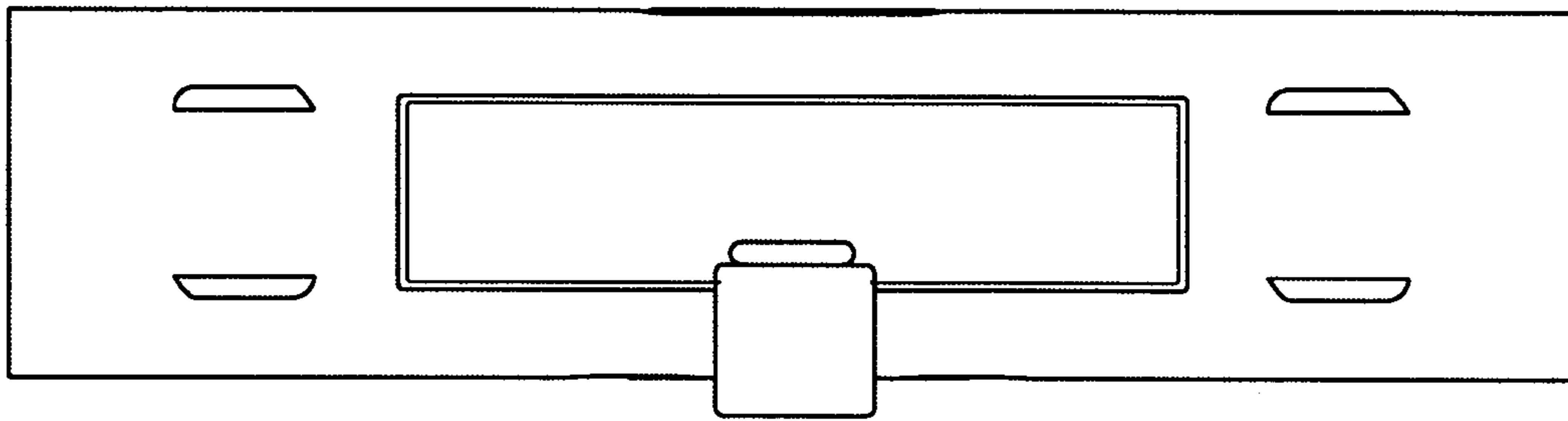


FIG. 6

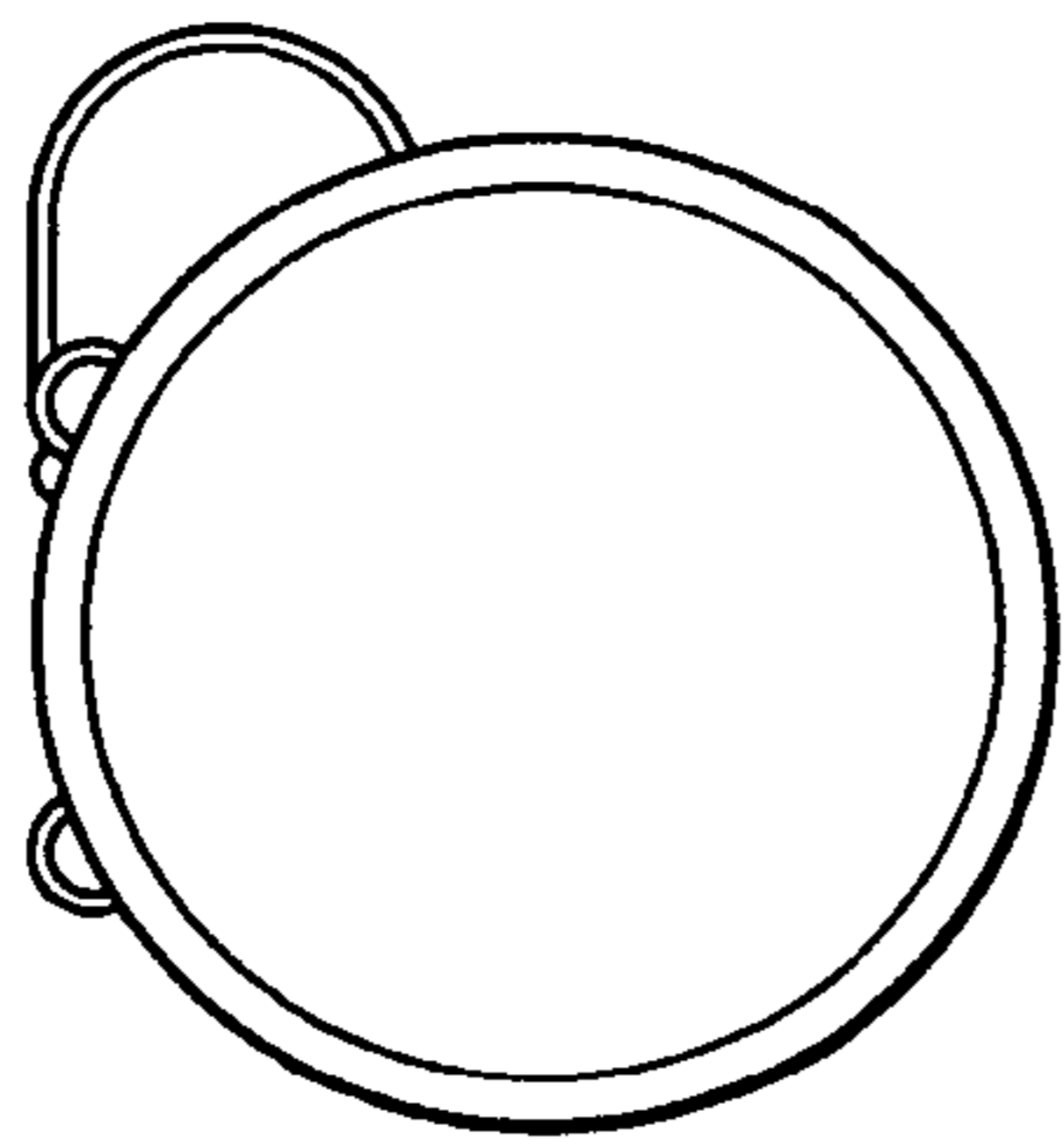


FIG. 7

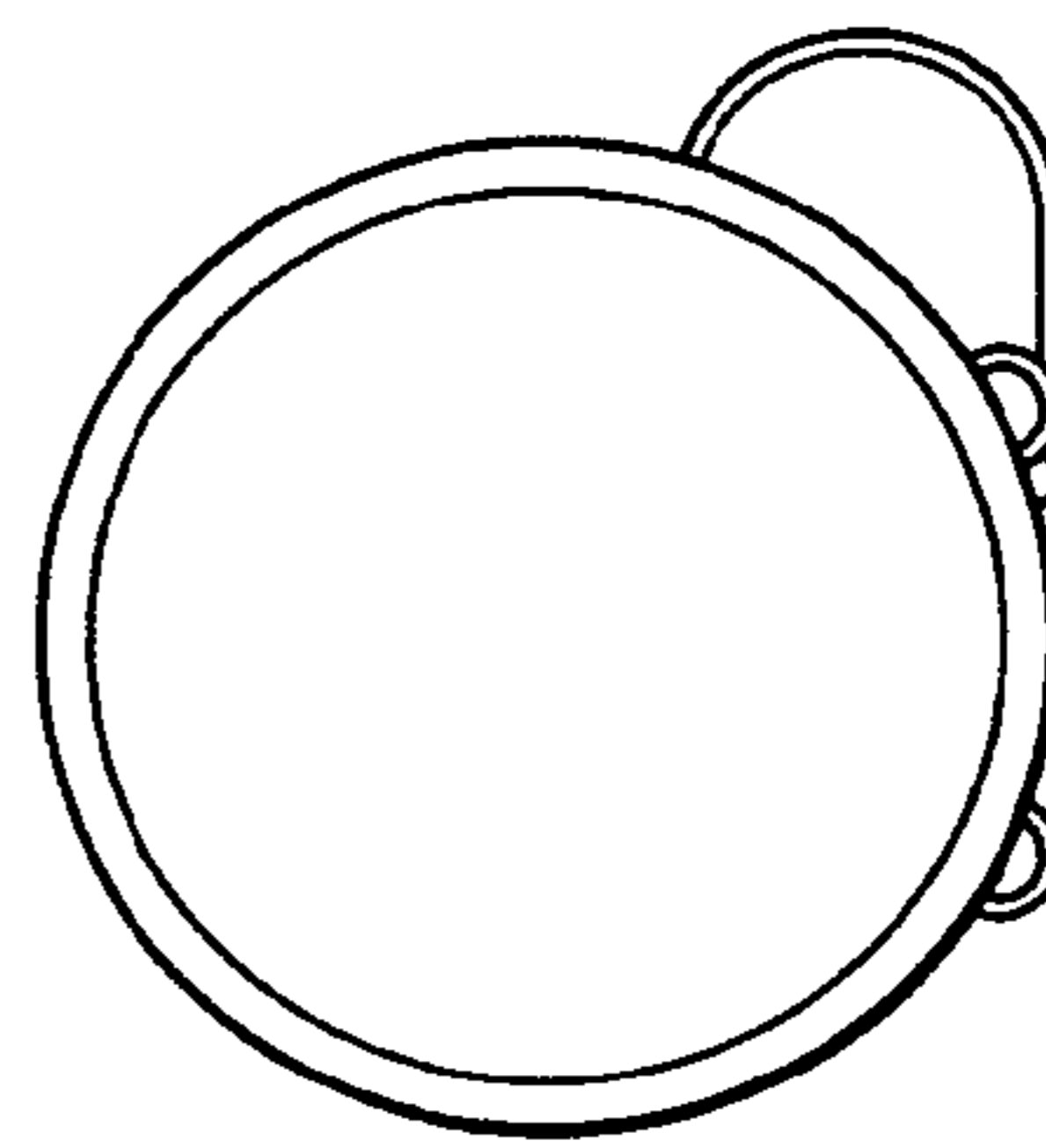


FIG. 8