

US00D570845S

(12) **United States Design Patent**  
**Liu et al.**

(10) **Patent No.: US D570,845 S**  
(45) **Date of Patent: \*\* Jun. 10, 2008**

(54) **WIRELESS USB ADAPTER**

(75) Inventors: **Calvin Y Liu**, Irvine, CA (US);  
**Hung-Bing Chen**, Tustin, CA (US)

(73) Assignee: **Cisco Technology, Inc.**, San Jose, CA (US)

(\*\*) Term: **14 Years**

(21) Appl. No.: **29/258,460**

(22) Filed: **Apr. 21, 2006**

(51) **LOC (8) Cl.** ..... **14-02**

(52) **U.S. Cl.** ..... **D14/433**

(58) **Field of Classification Search** ..... D14/240,  
D14/242, 356, 358, 363, 365, 367, 370, 432-437,  
D14/439; D13/147, 164, 123, 133, 146,  
D13/110, 199, 103, 162, 159, 160, 184; 361/683,  
361/684, 686, 724, 735, 737, 752  
See application file for complete search history.

(56) **References Cited**

U.S. PATENT DOCUMENTS

- D338,193 S \* 8/1993 Sasaki ..... D14/433
- D355,412 S \* 2/1995 Rak et al. .... D14/242
- D358,395 S \* 5/1995 Heidorn et al. .... D14/242
- D371,770 S \* 7/1996 Larson et al. .... D14/242
- D395,434 S \* 6/1998 Fincher, Jr. .... D14/242
- 5,773,332 A \* 6/1998 Glad ..... 439/344
- D416,023 S \* 11/1999 Du ..... D14/242
- 5,984,731 A \* 11/1999 Laity ..... 361/737
- D425,021 S \* 5/2000 Ko ..... D13/123
- 6,058,441 A \* 5/2000 Shu ..... 710/100
- D432,540 S \* 10/2000 Laity et al. .... D14/436
- D434,374 S \* 11/2000 Ko ..... D13/123
- 6,183,307 B1 \* 2/2001 Laity et al. .... 361/686
- 6,217,391 B1 \* 4/2001 Colantuono et al. .... 439/676
- D452,494 S \* 12/2001 Sodling ..... D14/242
- 6,325,674 B1 \* 12/2001 Oliphant et al. .... 439/676
- D452,863 S \* 1/2002 Madsen et al. .... D14/433

- 6,400,931 B1 \* 6/2002 Inkinen et al. .... 455/90.1
- 6,456,496 B1 \* 9/2002 Aldridge et al. .... 361/737
- 6,457,992 B2 \* 10/2002 Posey et al. .... 439/490
- D470,852 S \* 2/2003 Kim ..... D14/439
- D477,603 S \* 7/2003 Chen ..... D14/433
- D478,580 S \* 8/2003 Schmidt et al. .... D14/240
- D484,120 S \* 12/2003 Yin et al. .... D14/240
- 6,671,764 B2 \* 12/2003 Martin ..... 439/638
- D490,080 S \* 5/2004 Alviar et al. .... D14/433
- D490,404 S \* 5/2004 Chan ..... D14/433
- D516,074 S \* 2/2006 Ho et al. .... D14/433
- 7,156,667 B2 \* 1/2007 Ge et al. .... 439/64
- D548,691 S \* 8/2007 Krieger et al. .... D13/110
- D556,683 S \* 12/2007 Bonanno ..... D13/110

\* cited by examiner

*Primary Examiner*—Cathron Brooks

*Assistant Examiner*—Deanna Fluegeman

(74) *Attorney, Agent, or Firm*—Tom Chen; MacPherson Kwok Chen & Heid, LLP.

(57) **CLAIM**

We claim the ornamental design for a wireless USB adapter, substantially as shown and described.

**DESCRIPTION**

FIG. 1 is a perspective view of the wireless USB adapter according to one embodiment;

FIG. 2 is a front view of the wireless USB adapter of FIG. 1;

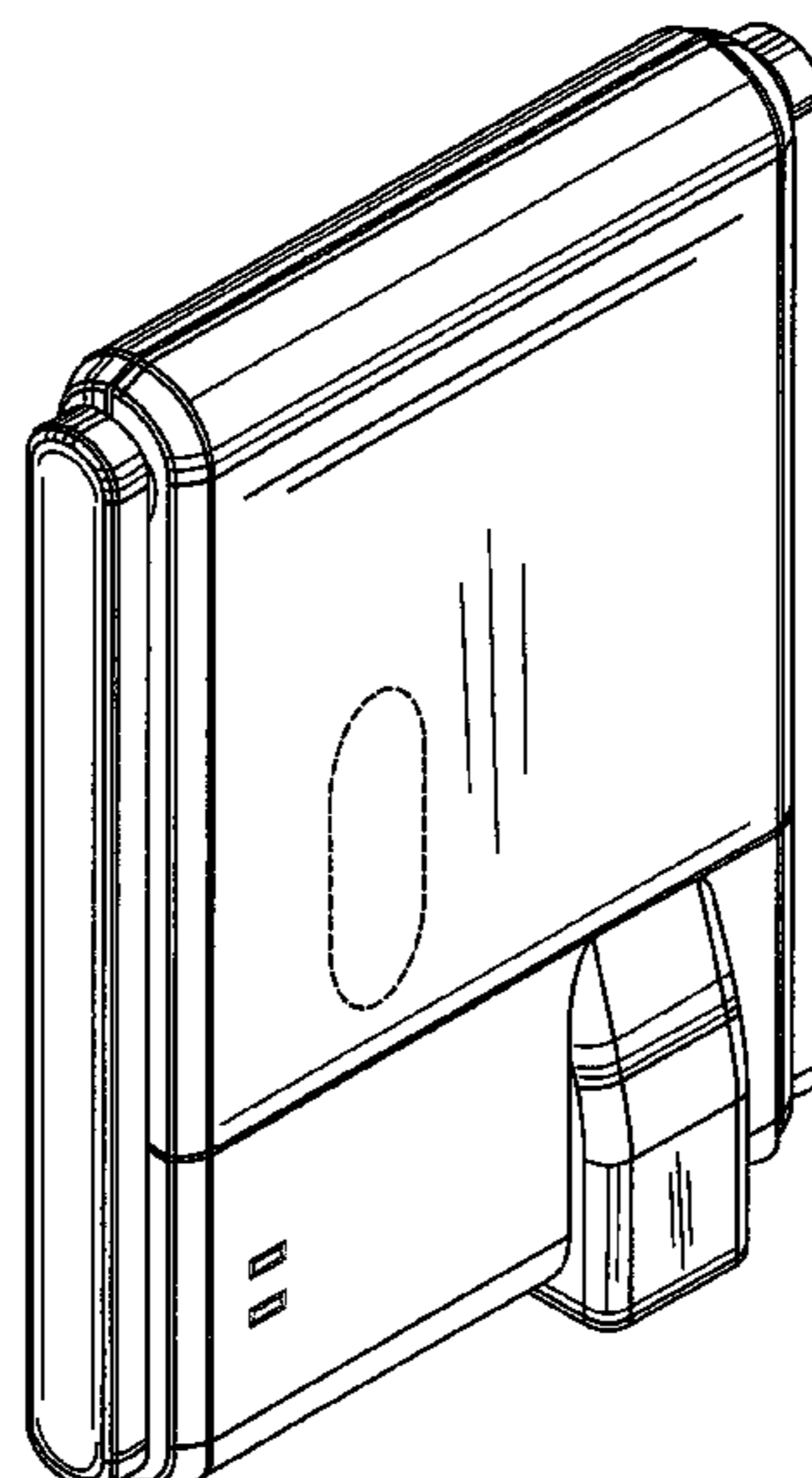
FIG. 3 is a side view of the wireless USB adapter of FIG. 1;

FIG. 4 is a top view of the wireless USB adapter of FIG. 1; and,

FIG. 5 is a bottom view of the wireless USB adapter of FIG. 1.

The broken lines in the drawing indicate the boundary of the claimed design.

**1 Claim, 4 Drawing Sheets**



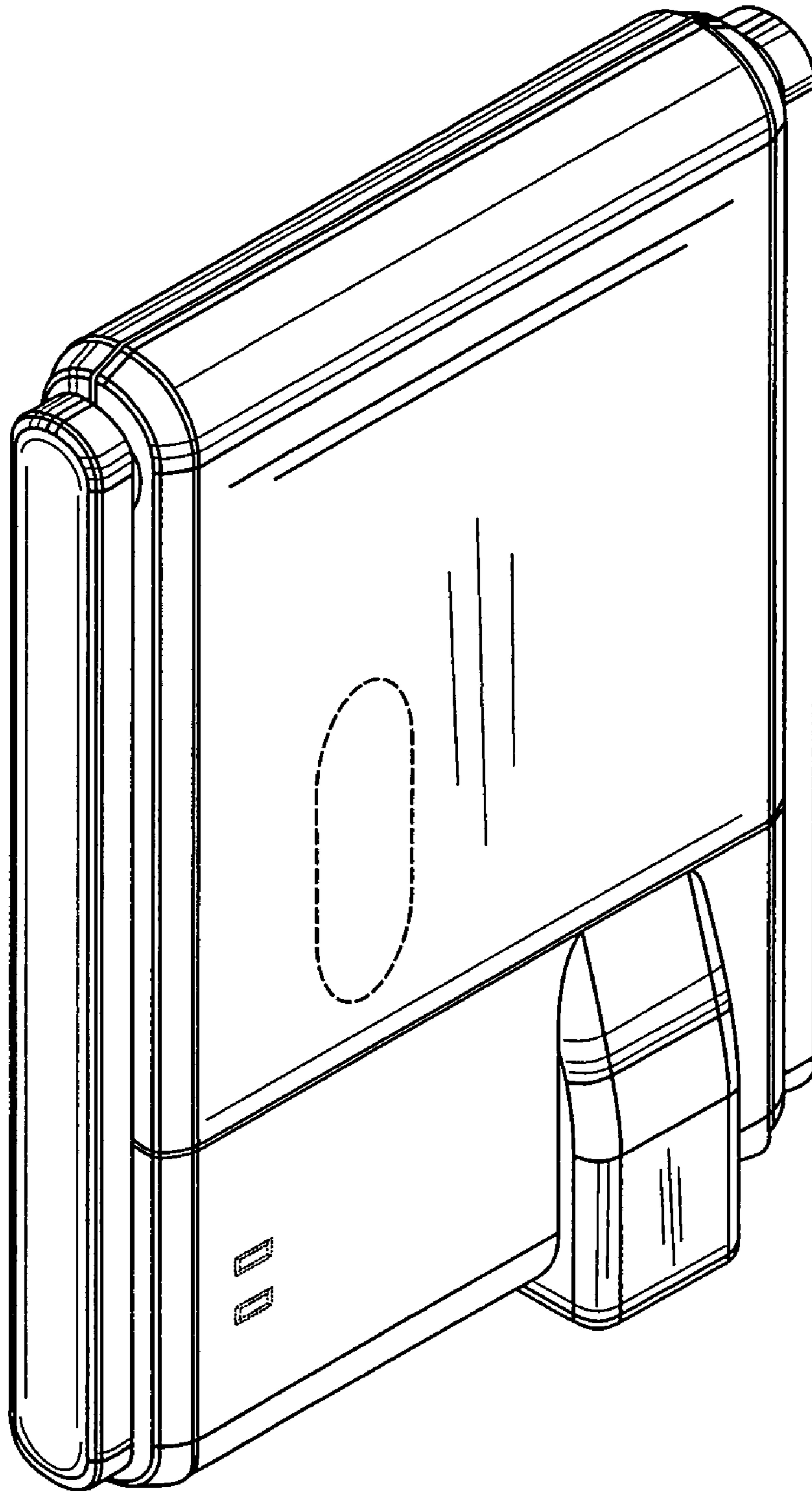


FIG. 1

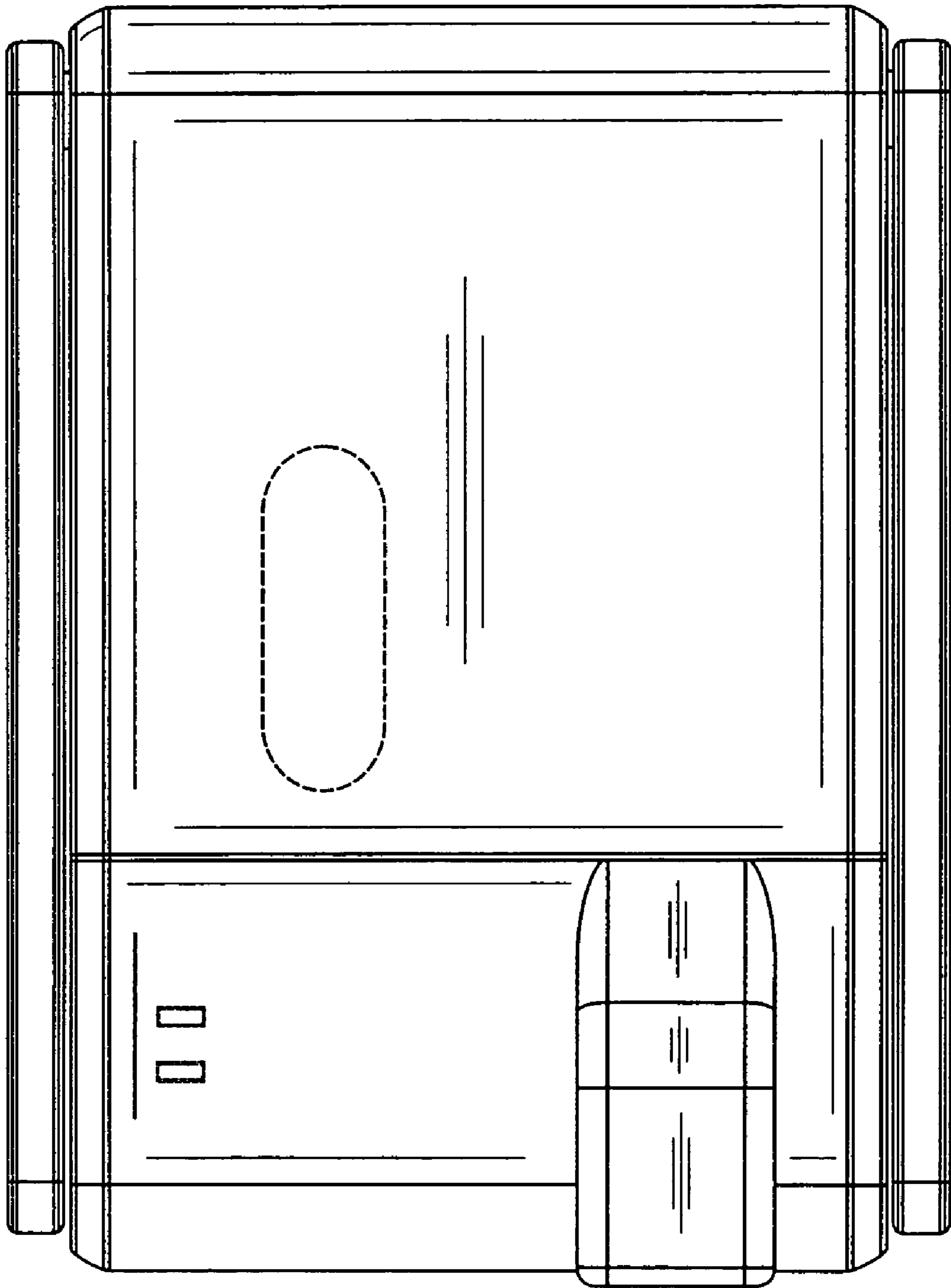


FIG. 2

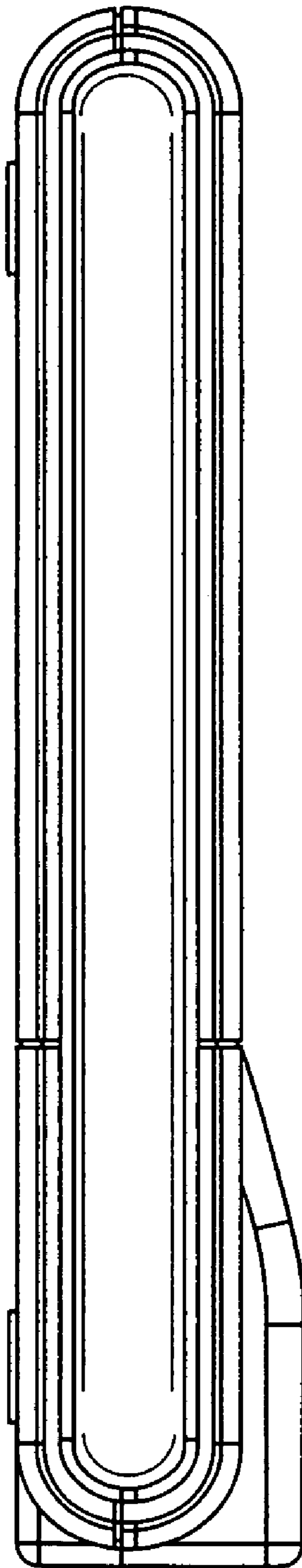


FIG. 3

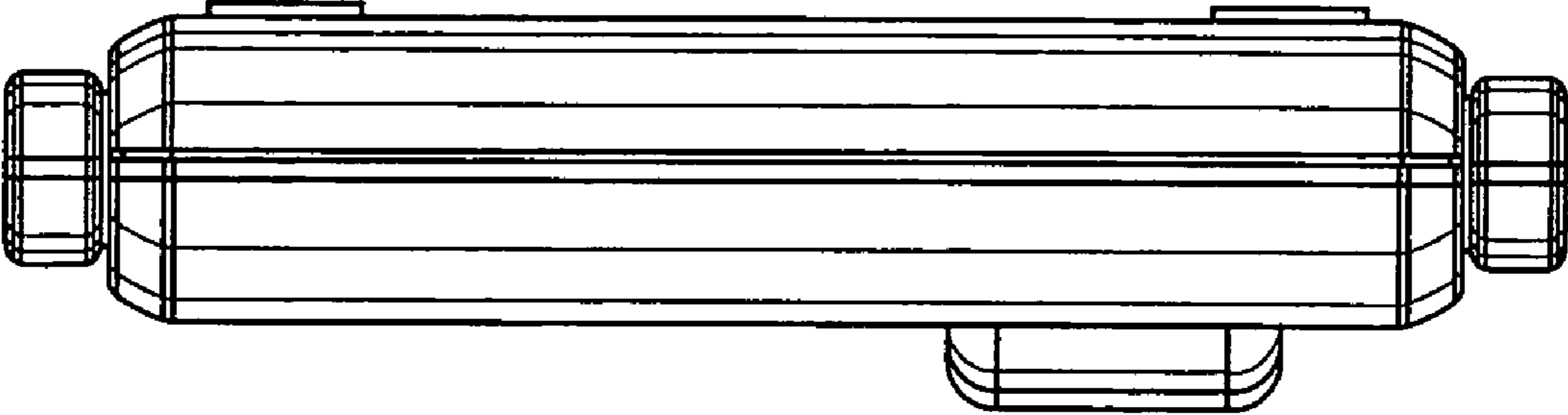


FIG. 4

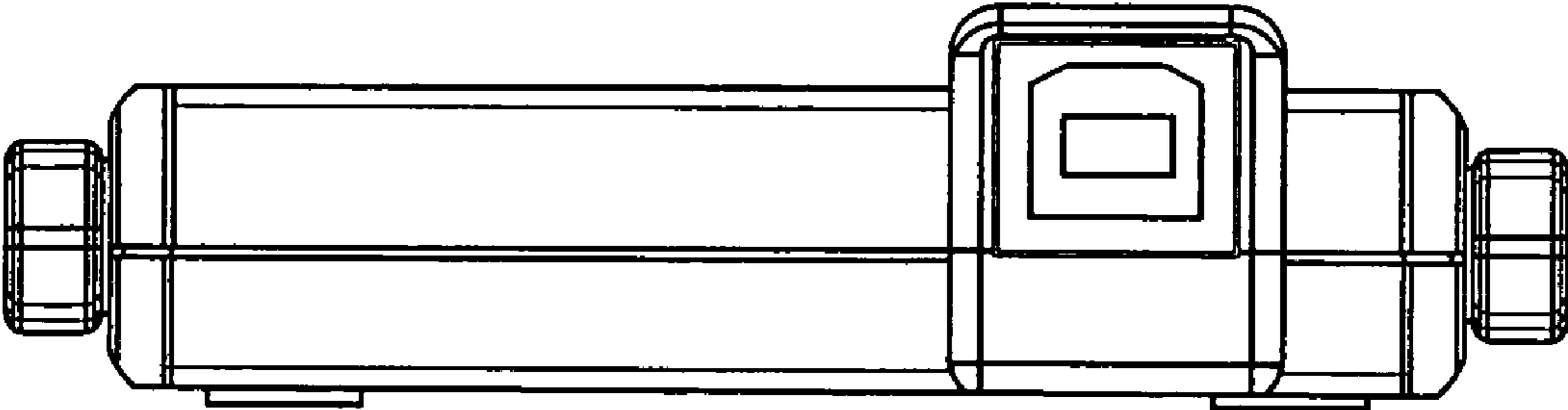


FIG. 5