

US00D570844S

(12) **United States Design Patent**
Liu et al.

(10) **Patent No.:** **US D570,844 S**
(45) **Date of Patent:** **** Jun. 10, 2008**

(54) **WIRELESS NETWORK ADAPTER**

(75) Inventors: **Calvin Y. Liu**, Irvine, CA (US);
Hung-Bing Chen, Tustin, CA (US)

(73) Assignee: **Cisco Technology, Inc.**, San Jose, CA (US)

(**) Term: **14 Years**

(21) Appl. No.: **29/250,095**

(22) Filed: **Nov. 1, 2006**

(51) **LOC (8) Cl.** **14-02**

(52) **U.S. Cl.** **D14/433**

(58) **Field of Classification Search** D14/240,
D14/242, 356, 358, 363, 365, 367, 370, 432-437,
D14/439; D13/147, 164, 123, 133, 146,
D13/110, 199, 103, 162, 159, 160, 184; 361/683,
361/684, 686, 724, 735, 737, 752
See application file for complete search history.

(56) **References Cited**

U.S. PATENT DOCUMENTS

- D315,351 S * 3/1991 Velazquez D14/234
- D409,199 S * 5/1999 Taguchi et al. D14/343
- D433,642 S * 11/2000 Bauman D10/104
- D445,422 S * 7/2001 Hsin D14/385
- 6,362,794 B1 * 3/2002 Yu 343/702
- D455,419 S * 4/2002 Inoue D14/235
- D461,181 S * 8/2002 Ko D14/242

- D471,540 S * 3/2003 Tomino et al. D14/240
- D489,369 S * 5/2004 Sasaki D14/358
- D489,720 S * 5/2004 Sasaki D14/358
- D490,080 S * 5/2004 Alviar et al. D14/433
- D532,776 S * 11/2006 Griffin D14/218
- D545,311 S * 6/2007 Wai D14/356

* cited by examiner

Primary Examiner—Cathron Brooks
Assistant Examiner—Deanna Fluegeman
(74) *Attorney, Agent, or Firm*—Tom Chen; MacPherson
Kwok Chen & Heid, LLP

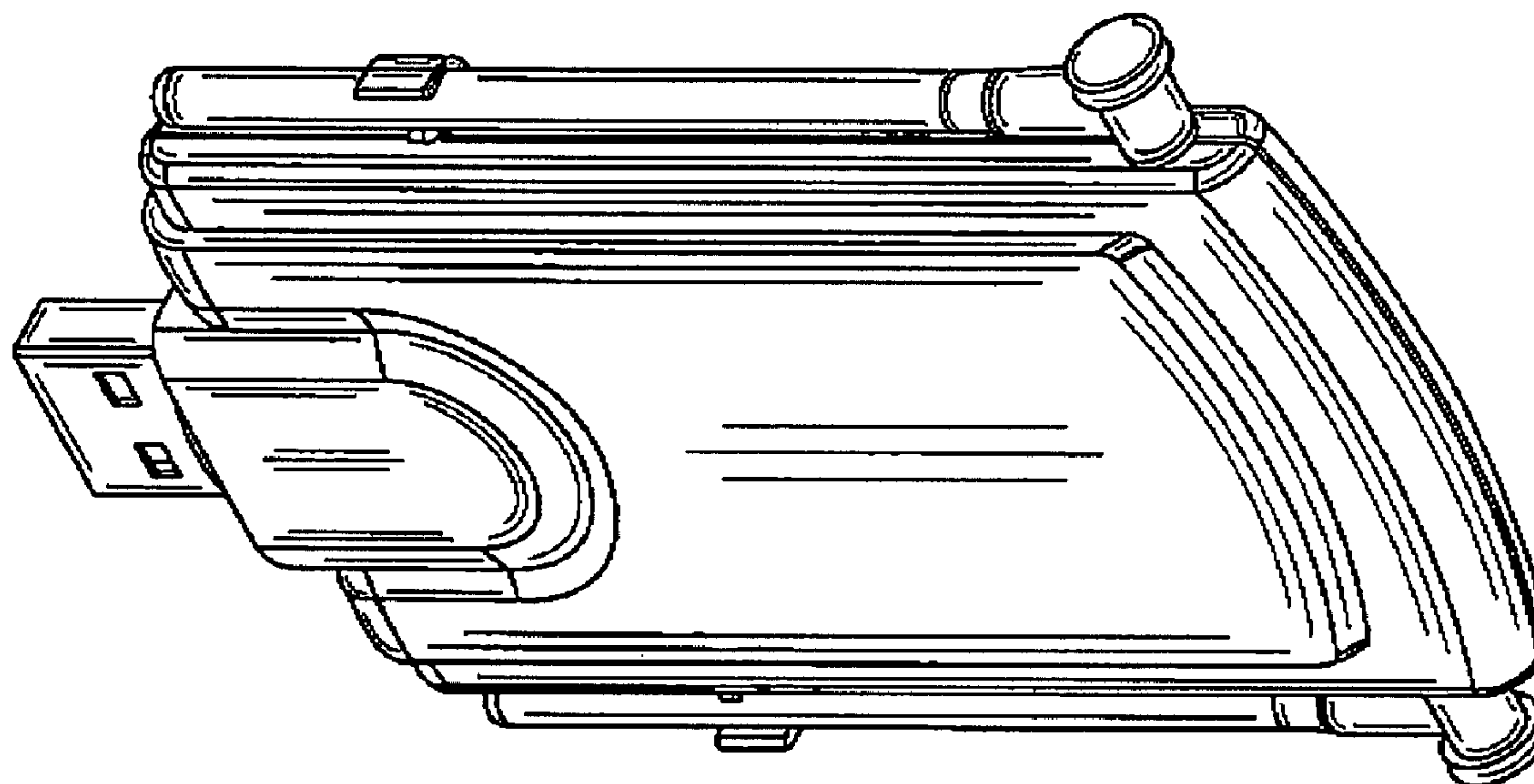
(57) **CLAIM**

The ornamental design for a wireless network adapter, as shown and described.

DESCRIPTION

FIG. 1 is a top plan view of a wireless network adapter showing our new design;
FIG. 2 is a top perspective view thereof;
FIG. 3 is a back plan view thereof;
FIG. 4 is a back perspective view thereof;
FIG. 5 is a side view thereof;
FIG. 6 is a back view thereof; and,
FIG. 7 is a front view thereof.

1 Claim, 5 Drawing Sheets



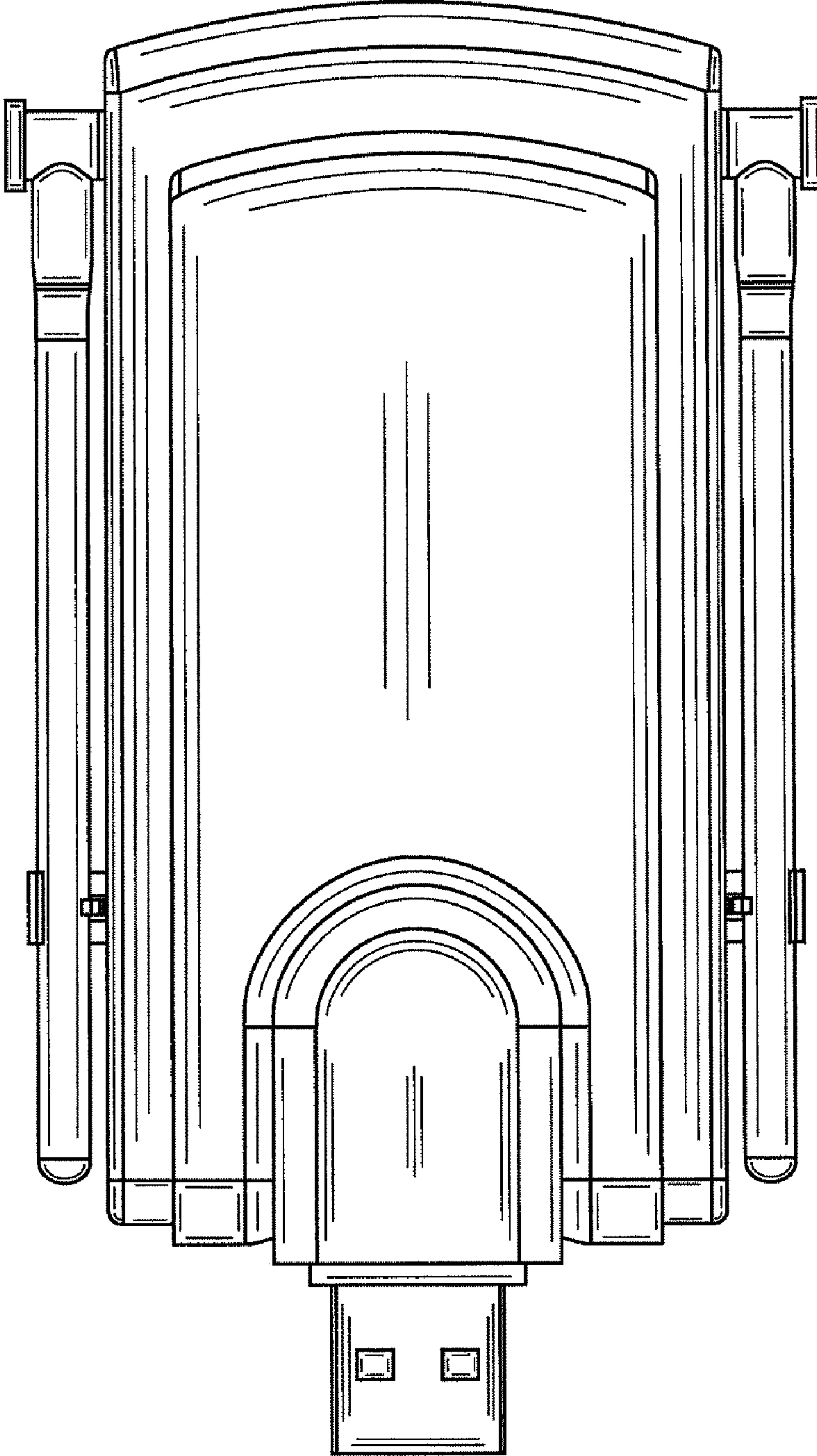


FIG. 1

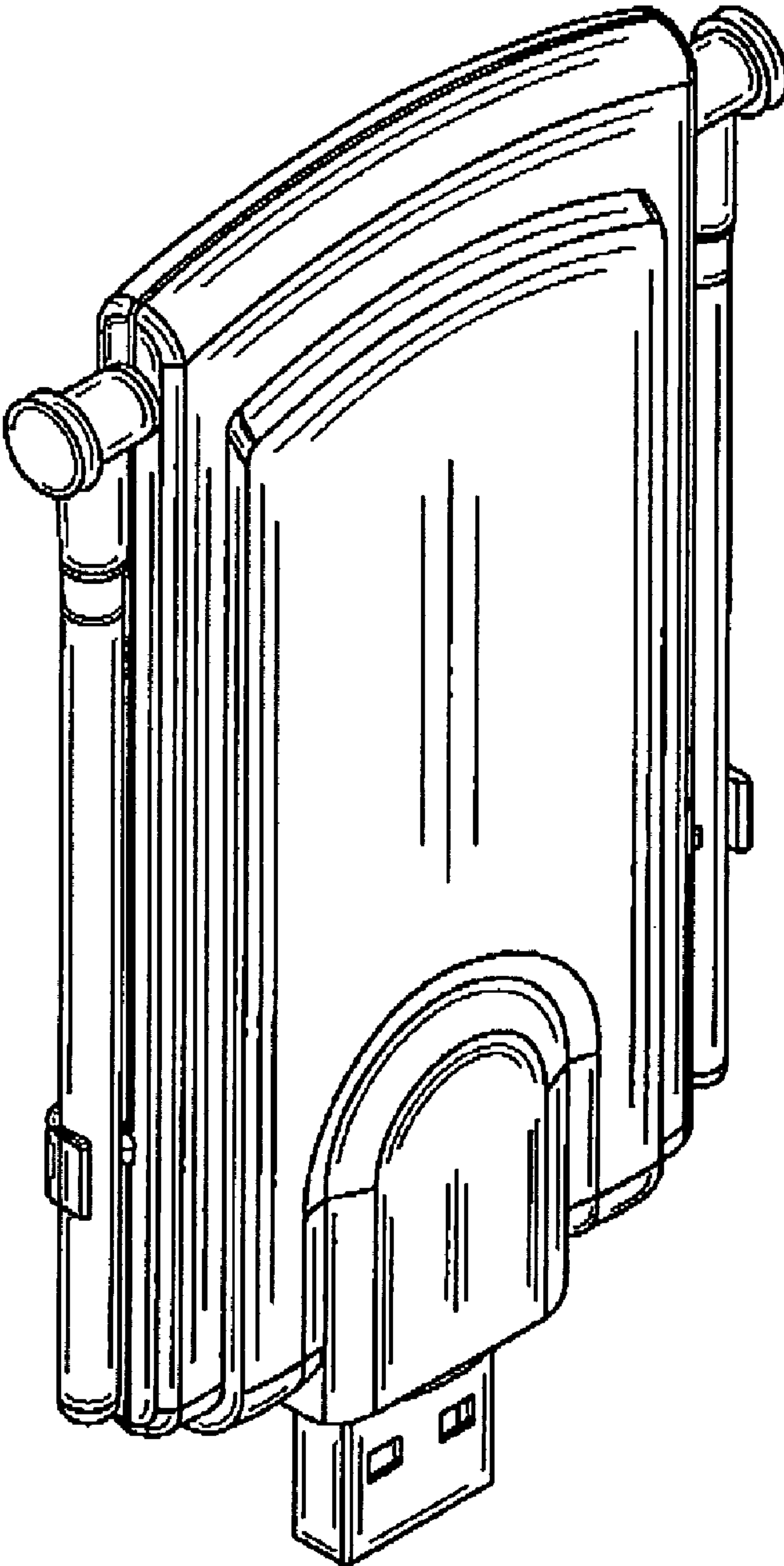


FIG. 2

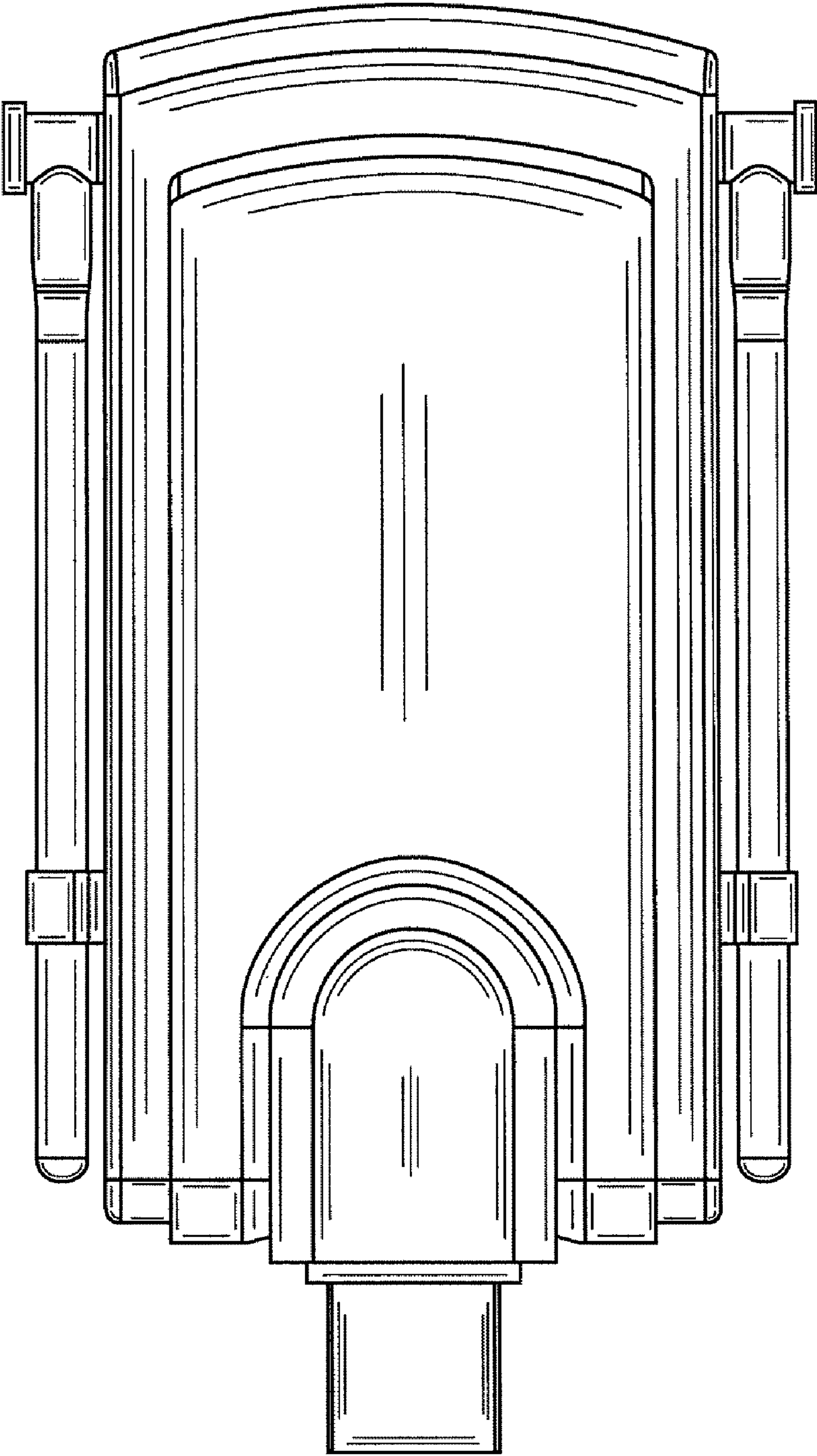


FIG. 3

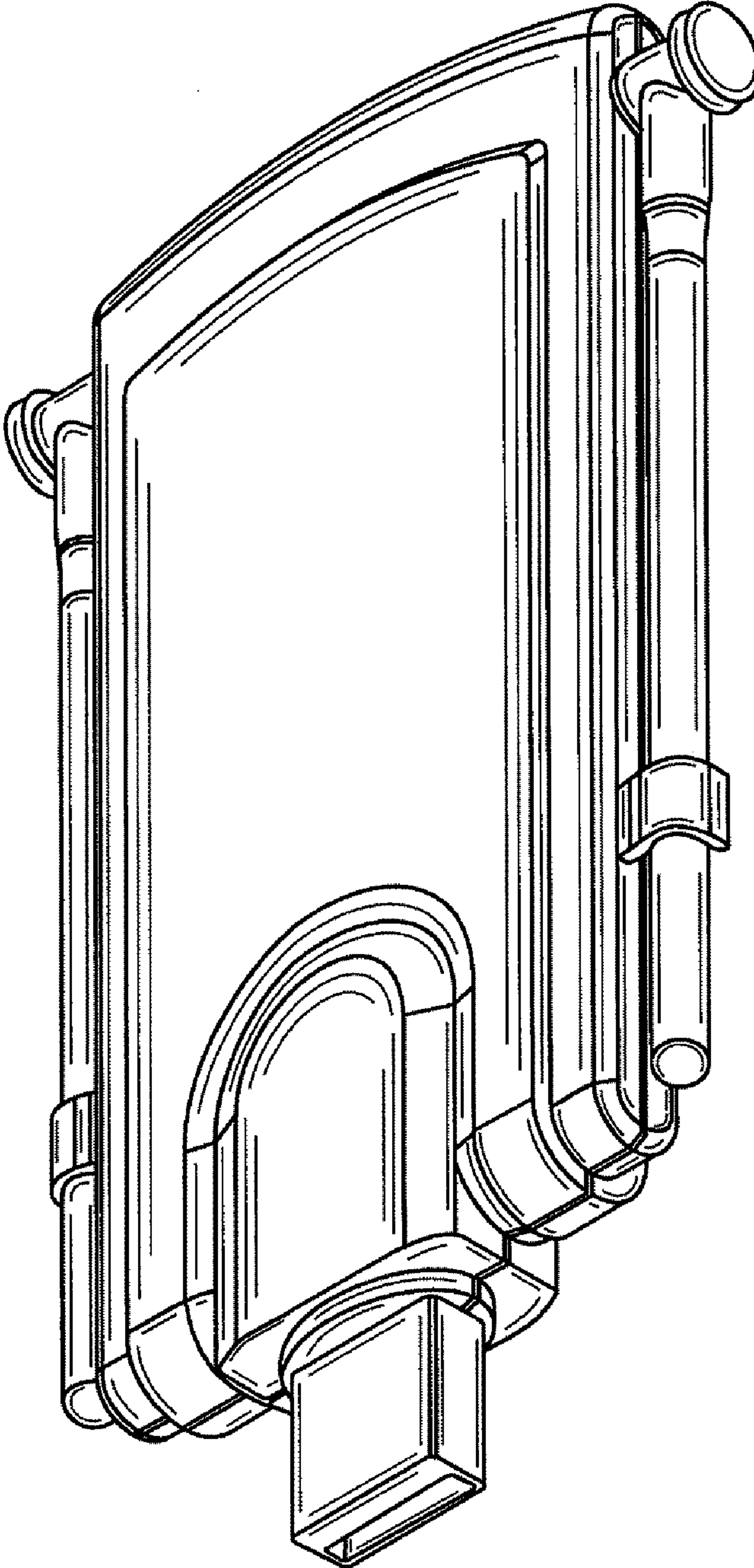


FIG. 4

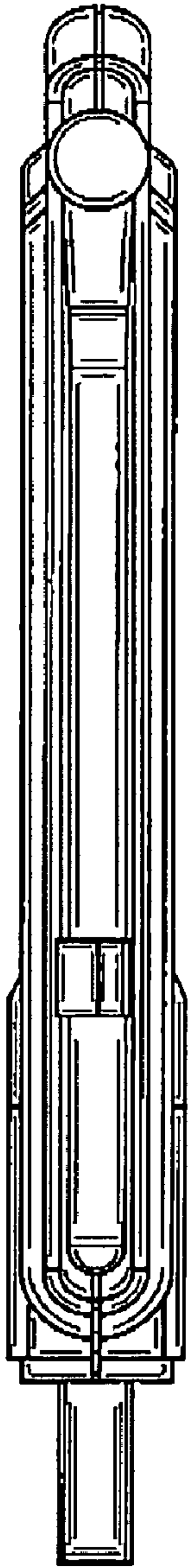


FIG. 5



FIG. 6

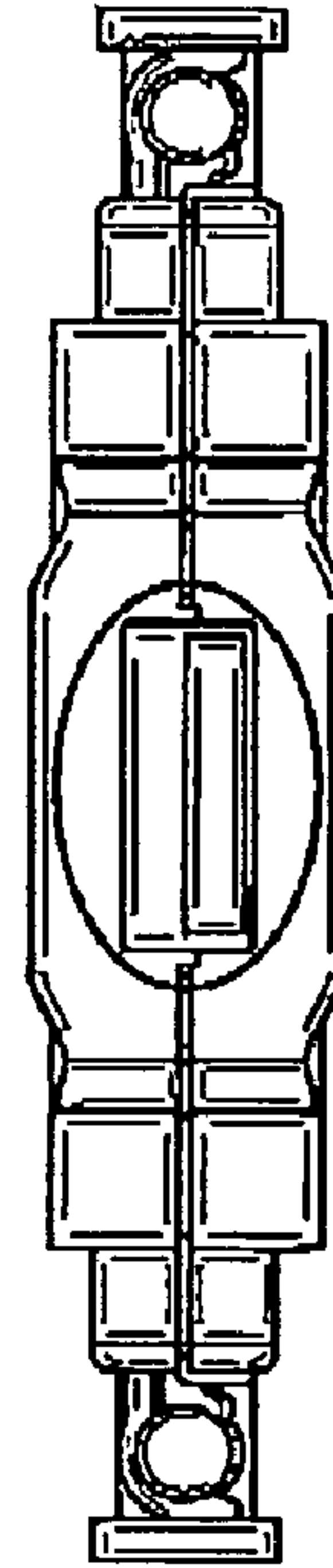


FIG. 7