



US00D570843S

(12) **United States Design Patent** (10) **Patent No.:** **US D570,843 S**
Mazzone et al. (45) **Date of Patent:** **** Jun. 10, 2008**

(54) **CODED INFORMATION READER**

(75) Inventors: **Claudio Mazzone**, Crespellano (IT);
Stefano Vassura, Rastignano (IT);
Corrado Tasselli, Sala Bolognese (IT);
Monica Alegiani, Silvi (IT); **Massimo Lotti**, Rimini (IT)

D446,524 S * 8/2001 Bontly et al. D14/426
6,478,226 B2 * 11/2002 Canini et al. 235/462.48
D470,145 S * 2/2003 Schlieffers et al. D14/428
6,517,003 B2 * 2/2003 Vassura et al. 235/472.01
7,147,162 B2 * 12/2006 Fitch et al. 235/472.01
2005/0023358 A1 2/2005 Byun et al.

FOREIGN PATENT DOCUMENTS

(73) Assignee: **Datalogic S.p.A.**, Lippo di Calderara di Reno (Bologna) (IT)

DE 20016762 U1 1/2001
EP 1128314 A1 8/2001

(**) Term: **14 Years**

OTHER PUBLICATIONS

(21) Appl. No.: **29/248,141**

European Search Report dated Jul. 5, 2005 from corresponding European Application No. 06425049.1.

(22) Filed: **Jul. 31, 2006**

* cited by examiner

(30) **Foreign Application Priority Data**

Feb. 1, 2006 (EM) 06425049

Primary Examiner—Melanie Tung
Assistant Examiner—Susan Moon Lee
(74) *Attorney, Agent, or Firm*—Duane Morris LLP

(51) **LOC (8) Cl.** **14-02**

(57) **CLAIM**

(52) **U.S. Cl.** **D14/428; D14/426**

We claim the ornamental design for a coded information reader, as shown and described.

(58) **Field of Classification Search** D14/420,
D14/426-430, 453, 346, 341, 347, 412; D13/107,
D13/184; 358/473; 235/462.43, 462.45,
235/462.47, 462.48, 462.44, 462.46, 487,
235/472.01, 472.02; 16/110.1, 430, 431;
439/133, 135; 709/219, 201; 710/73; 320/114,
320/115, 123; 361/679; 382/313, 321; 455/575.1,
455/561, 572

DESCRIPTION

See application file for complete search history.

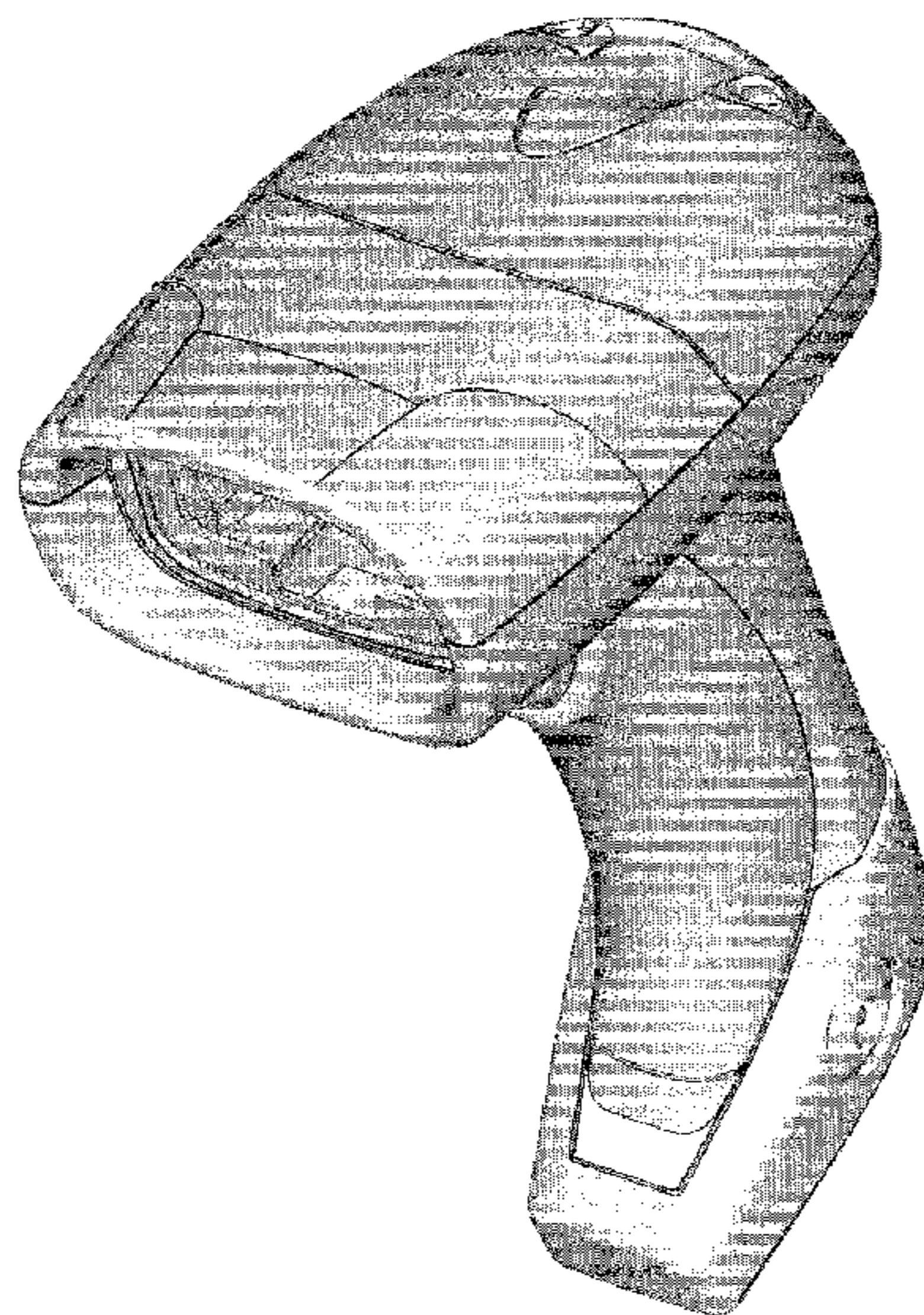
FIG. 1 is a front perspective view of a coded information reader according to the present invention;
FIG. 2 is a rear perspective view thereof;
FIG. 3 is a front view thereof;
FIG. 4 is a right side view thereof;
FIG. 5 is a left side view thereof;
FIG. 6 is a rear view thereof;
FIG. 7 is a top view thereof; and,
FIG. 8 is a bottom view thereof.

(56) **References Cited**

U.S. PATENT DOCUMENTS

D344,501 S * 2/1994 Gong et al. D14/428
D362,435 S * 9/1995 Charych et al. D14/428
D400,199 S * 10/1998 Fitch et al. D14/428
D414,171 S * 9/1999 Swift et al. D14/428
D418,500 S * 1/2000 Giordano et al. D14/429

1 Claim, 8 Drawing Sheets



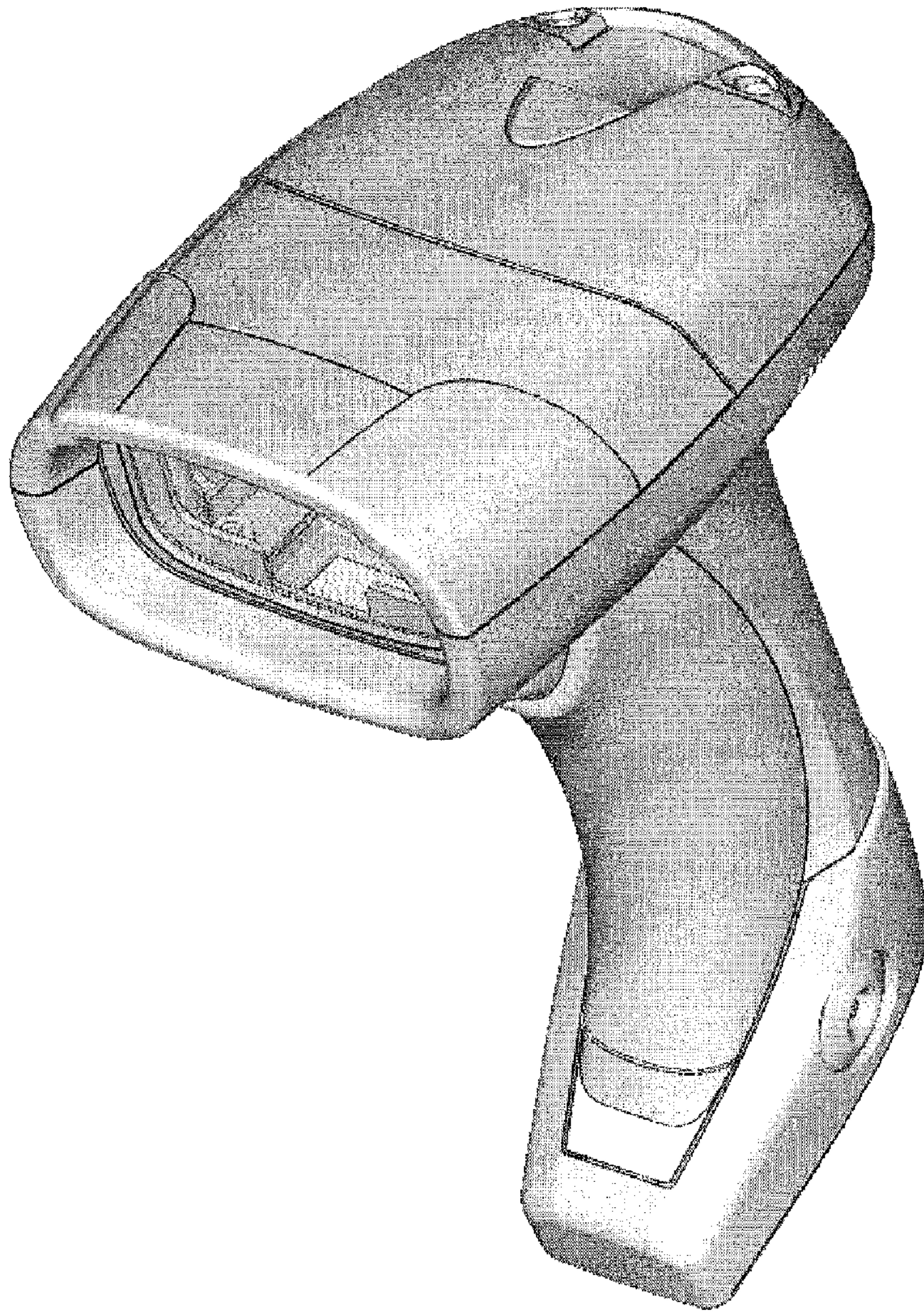


FIG. 1

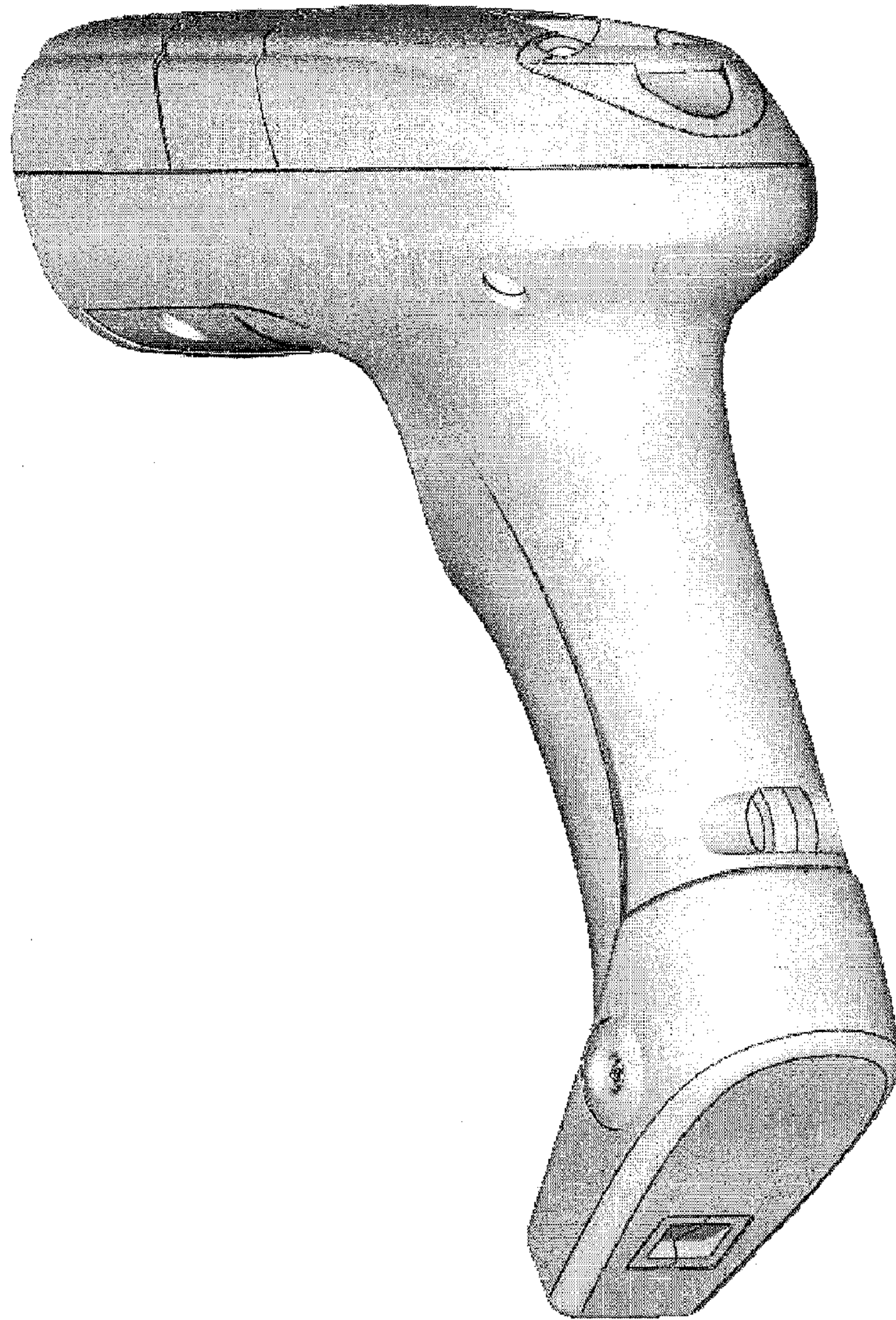


FIG. 2

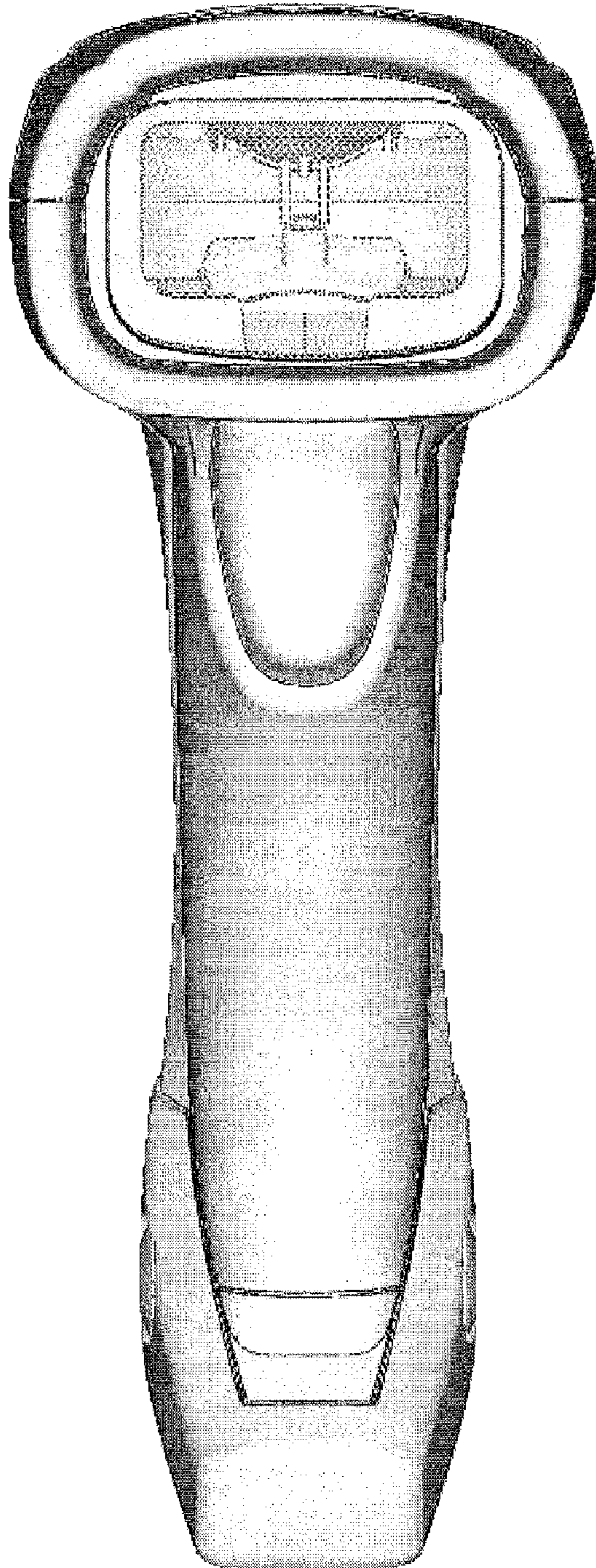


FIG. 3

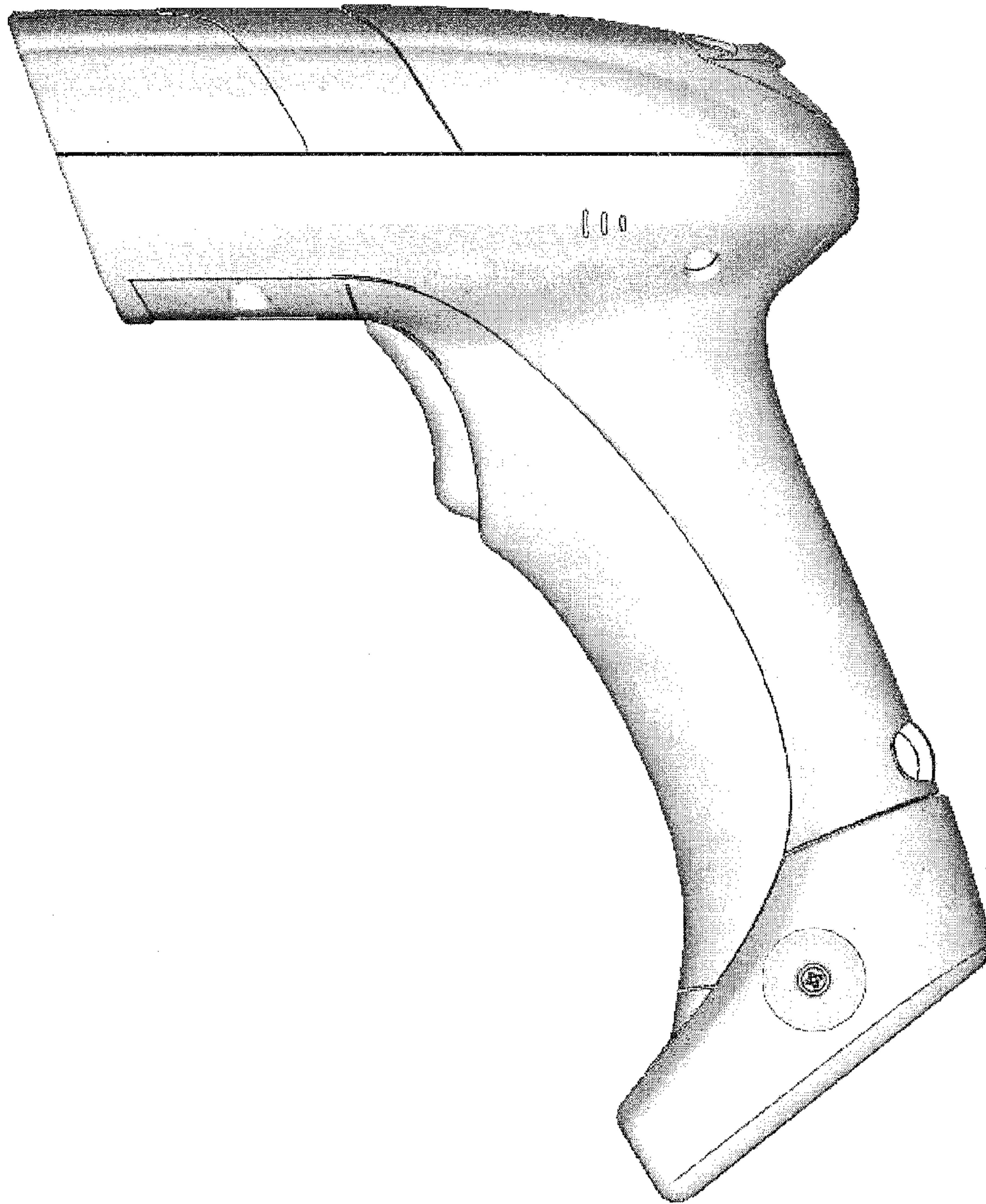


FIG. 4

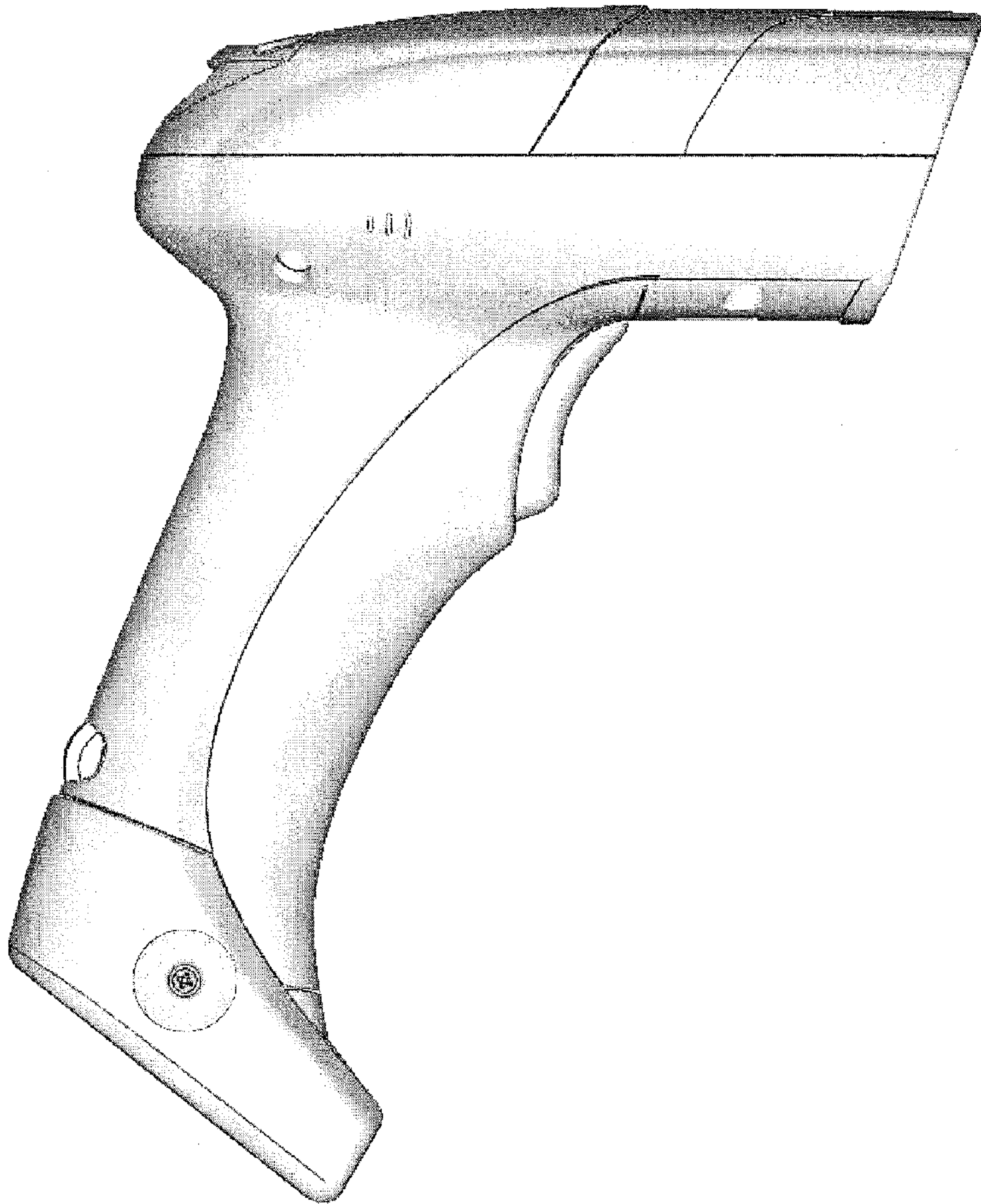


FIG. 5

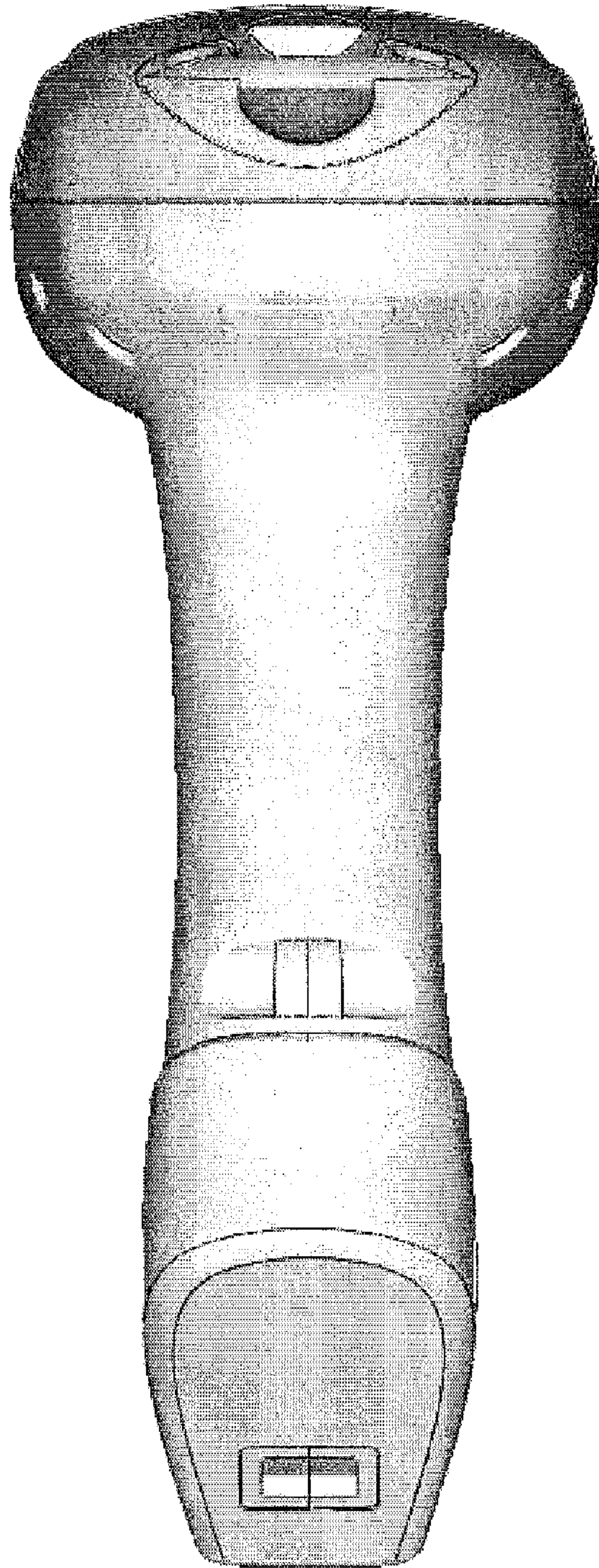


FIG. 6

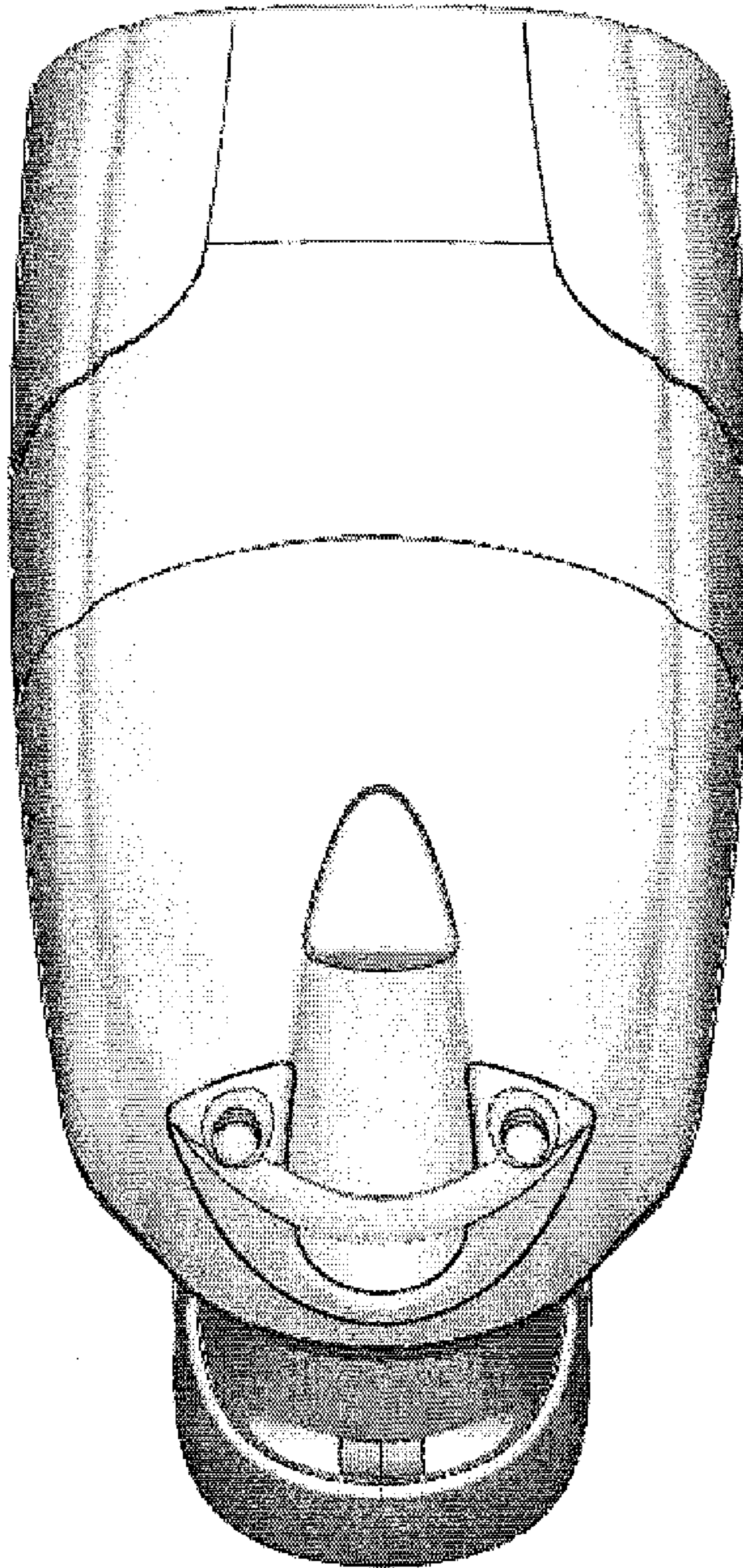


FIG. 7

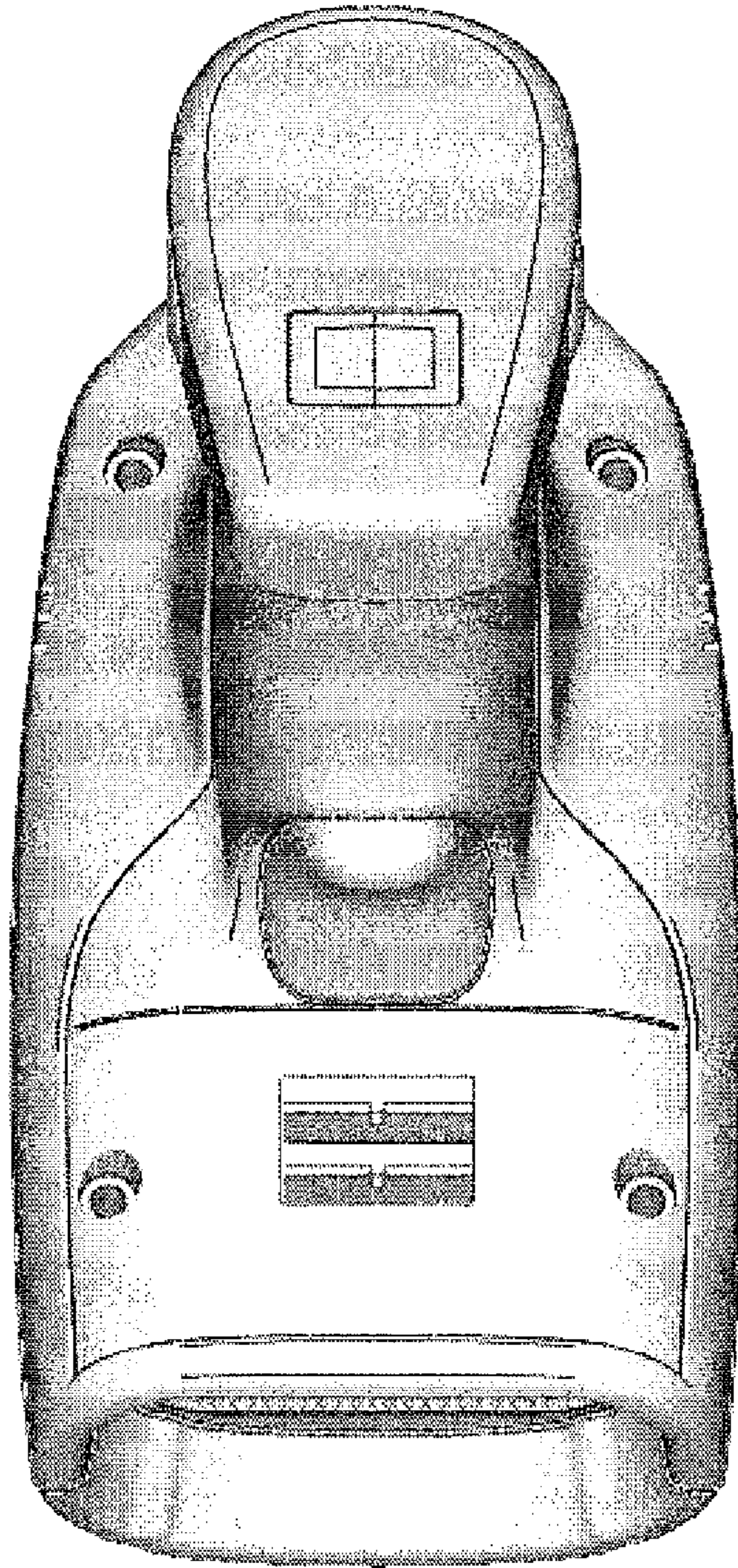


FIG. 8