



US00D570839S

(12) **United States Design Patent**
Hofer et al.

(10) **Patent No.:** **US D570,839 S**
(45) **Date of Patent:** **** Jun. 10, 2008**

(54) **HANDHELD DEVICE**

(75) Inventors: **Joseph Hofer**, Kitchener (CA); **Jason T. Griffin**, Kitchener (CA); **Norman M. Ladouceur**, Waterloo (CA); **Todd Andrew Wood**, Guelph (CA)

(73) Assignee: **Research In Motion Limited**, Waterloo, Ontario (CA)

(**) Term: **14 Years**

(21) Appl. No.: **29/278,922**

(22) Filed: **Apr. 13, 2007**

(51) **LOC (8) Cl.** **14-02**

(52) **U.S. Cl.** **D14/341; D14/138**

(58) **Field of Classification Search** D14/346,
D14/341, 342, 343, 344, 345, 347, 439, 137,
D14/138, 374, 248, 496, 125, 129; 345/169,
345/173; 379/433.04, 433.06, 433.07, 433.11,
379/433.12, 433.13; 348/14.02; 455/556.1,
455/556.2, 566, 575.1, 575.3, 575.4, 90.3;
341/22; D13/168; D18/6, 7; D21/329,
D21/331

See application file for complete search history.

(56) **References Cited**

U.S. PATENT DOCUMENTS

| | | | |
|--------------|---------|----------------------|---------|
| D493,778 S * | 8/2004 | Walliser et al. | D14/138 |
| D524,279 S * | 7/2006 | Lai | D14/138 |
| D537,804 S * | 3/2007 | Park et al. | D14/138 |
| D545,803 S * | 7/2007 | Chen | D14/138 |
| D546,810 S * | 7/2007 | Kwak | D14/138 |
| D550,641 S * | 9/2007 | Wang | D14/138 |
| D555,624 S * | 11/2007 | Lee et al. | D14/138 |
| D560,635 S * | 1/2008 | Kim et al. | D14/138 |
| D560,646 S * | 1/2008 | Yun et al. | D14/138 |
| D562,284 S * | 2/2008 | Kwon et al. | D14/138 |

| | | | |
|-------------------|---------|------------------|---------|
| D562,312 S * | 2/2008 | Hu et al. | D14/248 |
| D562,314 S * | 2/2008 | Han et al. | D14/248 |
| 2007/0275765 A1 * | 11/2007 | Chao et al. | 455/566 |

FOREIGN PATENT DOCUMENTS

EM 000709746-001 * 4/2007

* cited by examiner

Primary Examiner—Cathron Brooks

Assistant Examiner—Angela J Lee

(74) *Attorney, Agent, or Firm*—Brij K. Agarwal; Eckert Seamans Cherin & Mellott, LLC

(57) **CLAIM**

The ornamental design for a handheld device, as shown and described.

DESCRIPTION

FIG. 1 is a front elevational view of a handheld device depicting our new design;

FIG. 2 is a left side elevational view thereof;

FIG. 3 is a right side elevational view thereof;

FIG. 4 is a top plan view thereof;

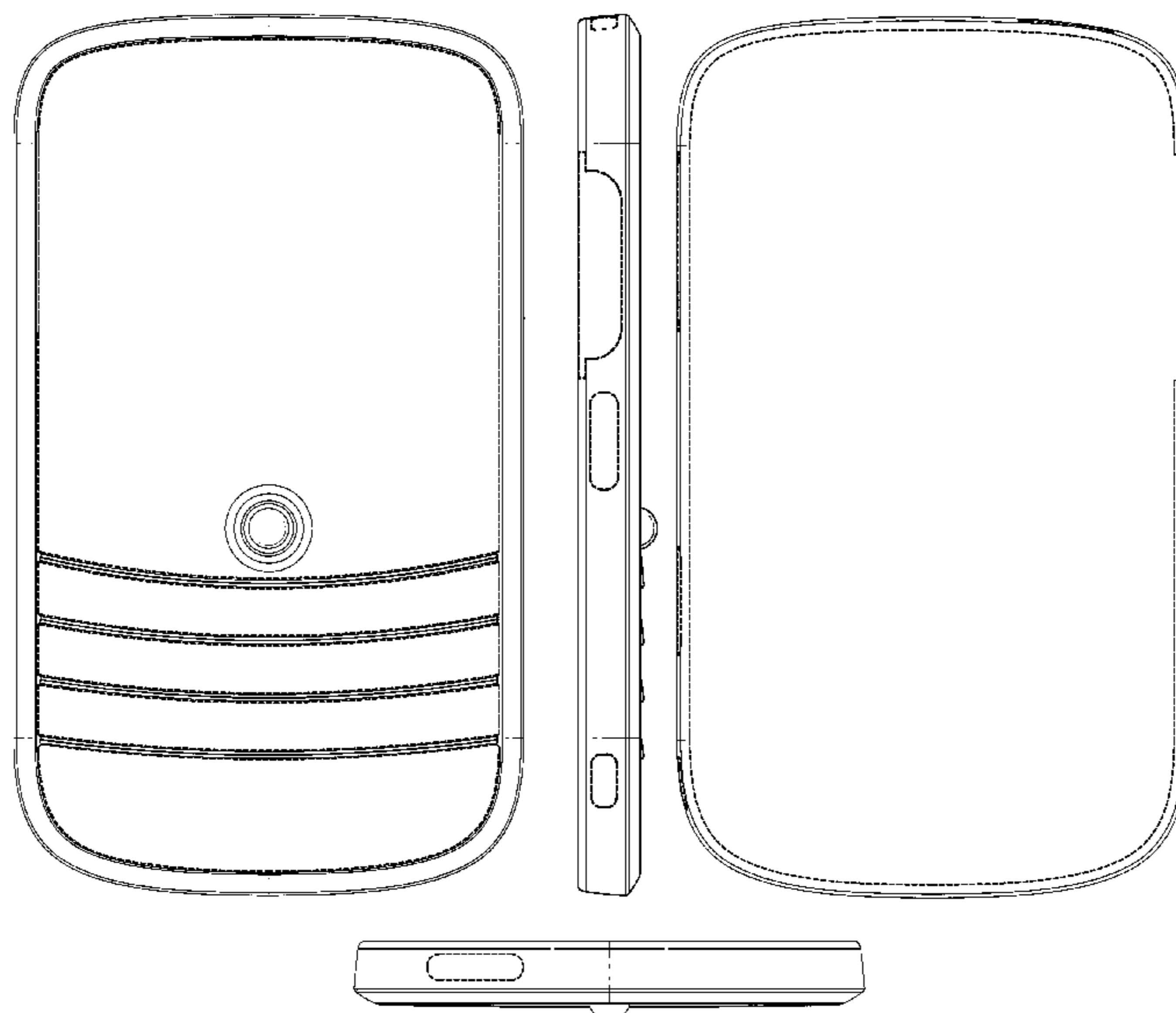
FIG. 5 is a bottom plan view thereof;

FIG. 6 is a rear elevational view thereof; and,

FIG. 7 is a perspective view thereof.

The broken line shown in the upper area of FIGS. 1 and 7 represents an unclaimed area up to but not including the circular member illustrated by the solid line and forms no part thereof. The other broken lines on the front and rear surfaces define the bounds of the claimed design and form no part thereof. All other broken lines are for the purpose of illustrating portions of the handheld device and form no part of the claimed design.

1 Claim, 5 Drawing Sheets



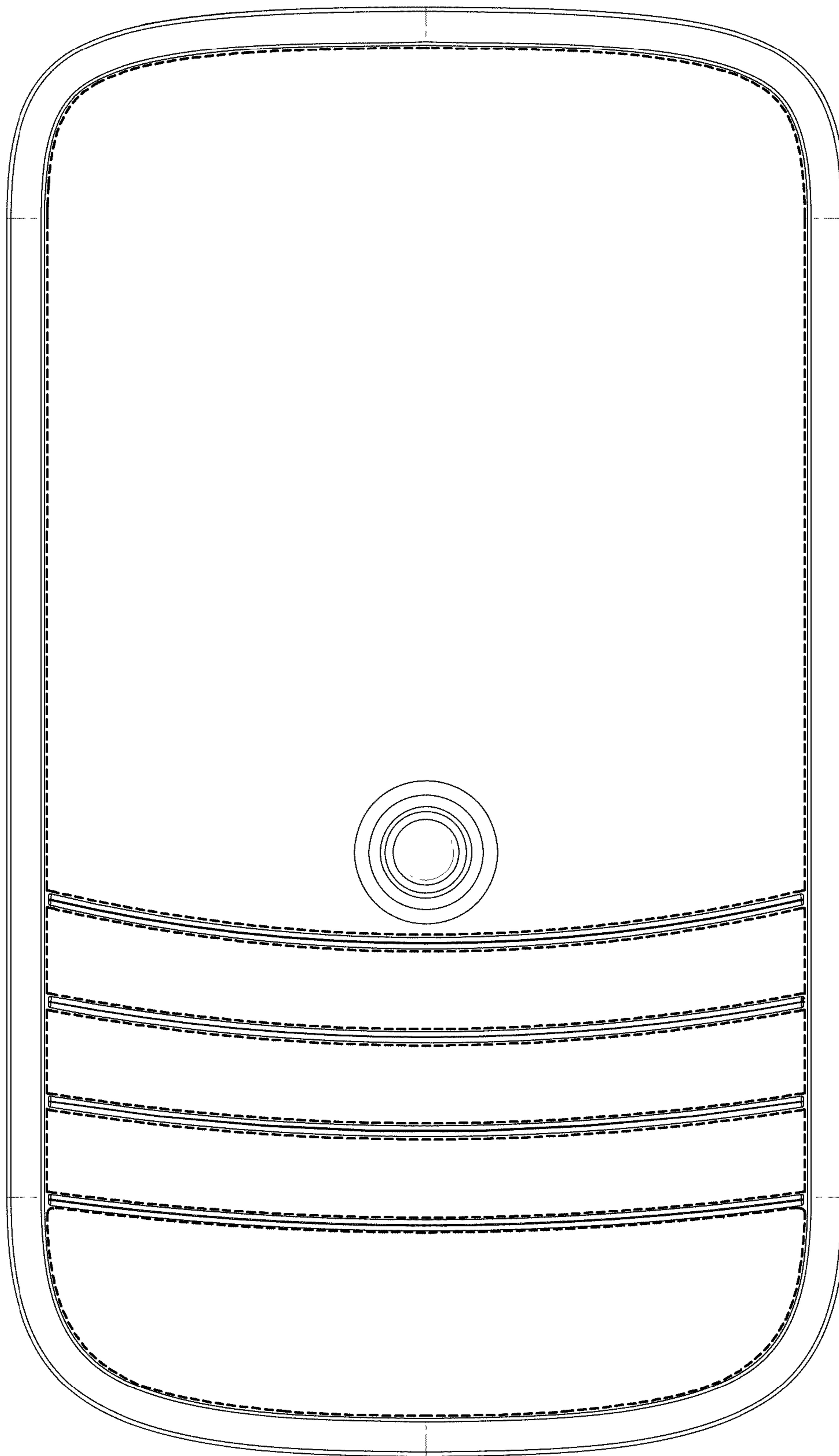


FIG. 1

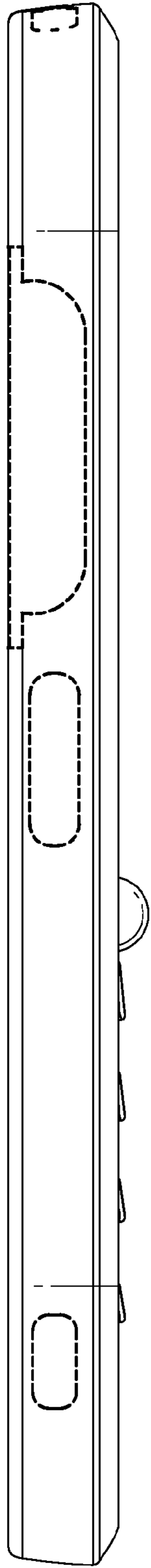


FIG. 2

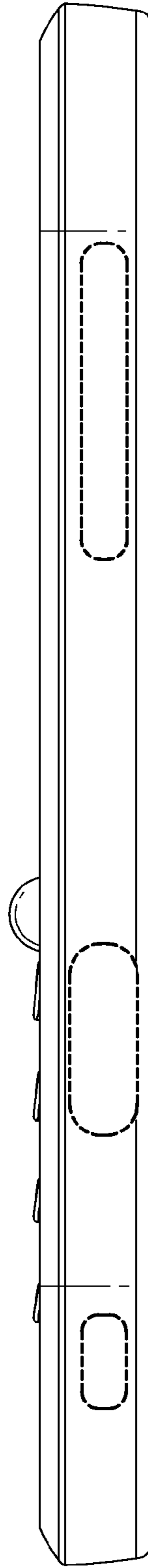


FIG. 3

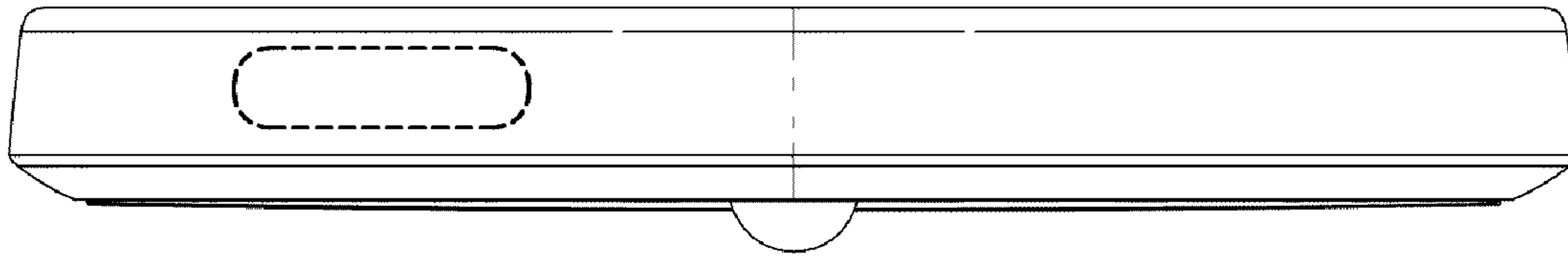


FIG. 4

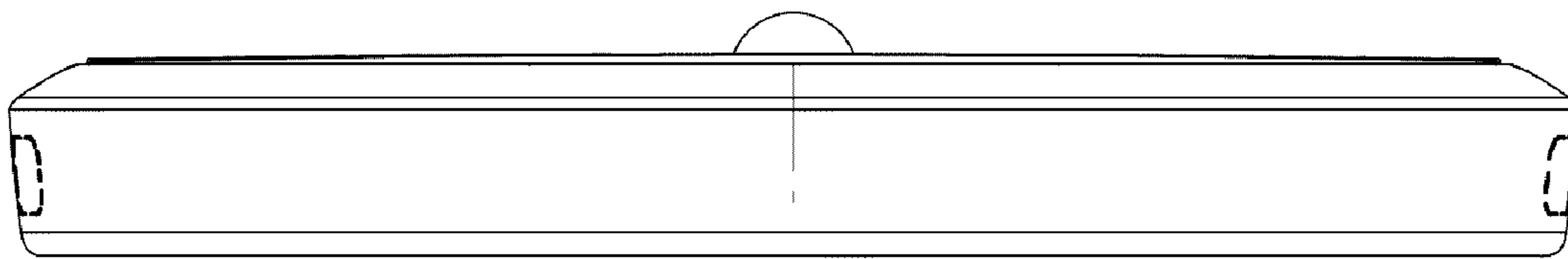


FIG. 5

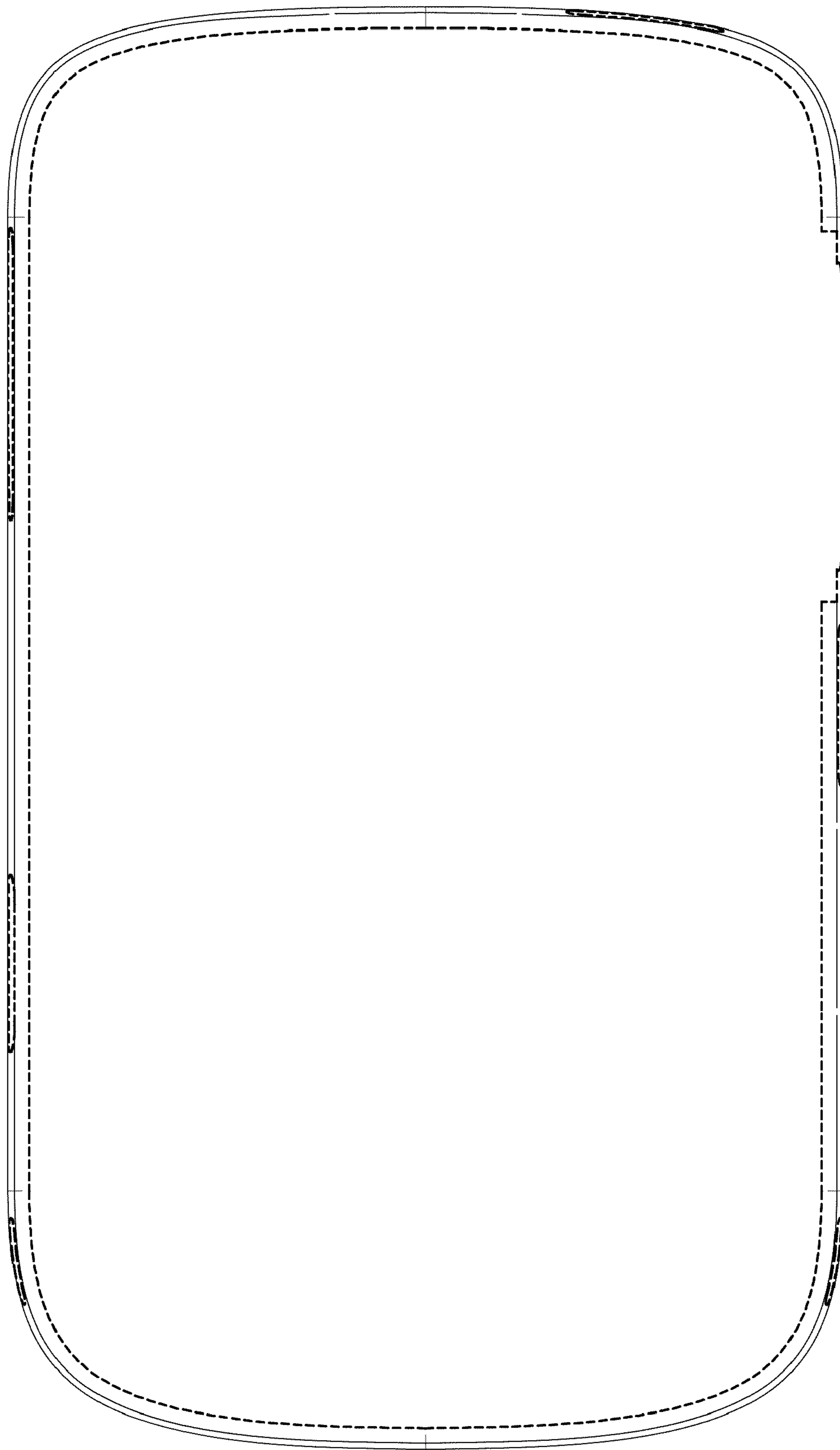


FIG. 6

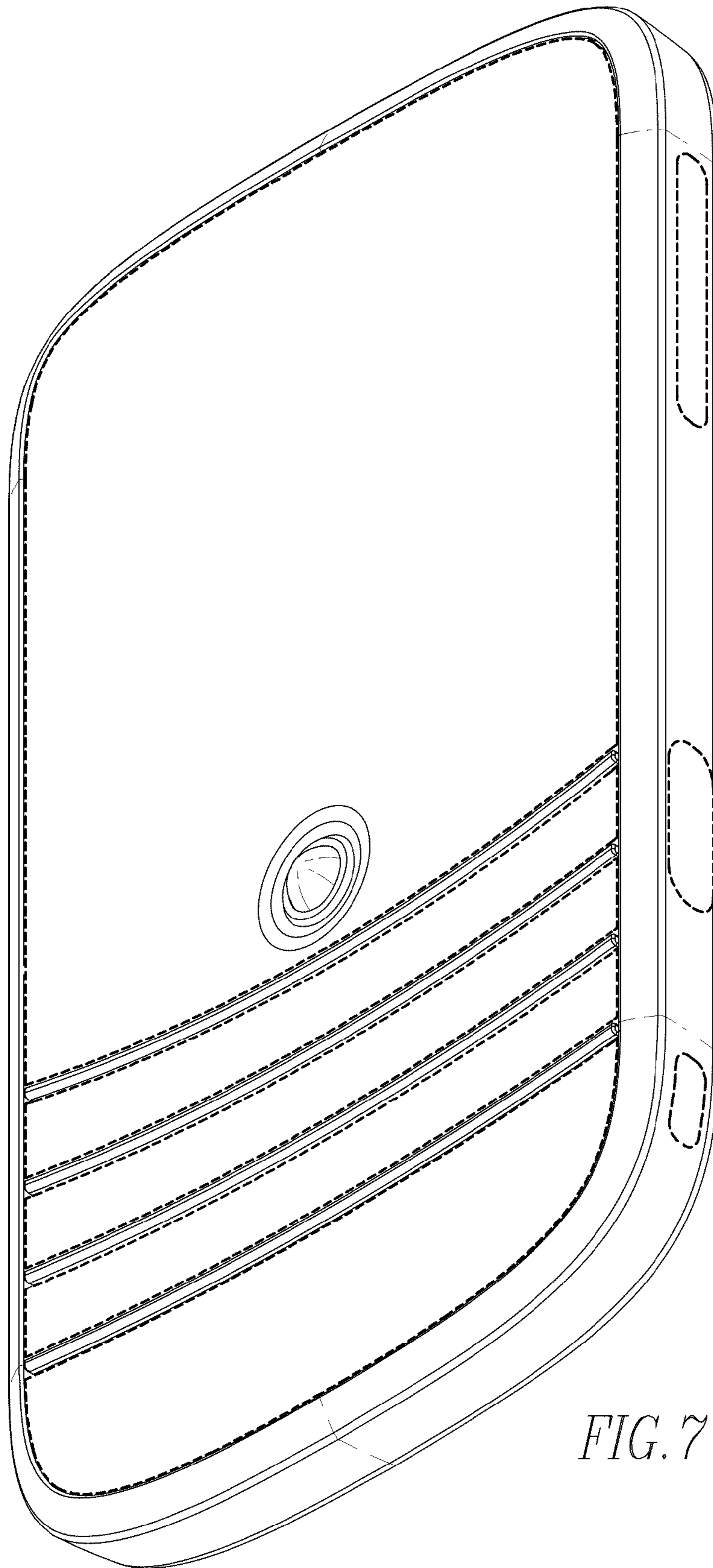


FIG. 7