



US00D570837S

(12) **United States Design Patent**  
**Sakamoto et al.**

(10) **Patent No.:** **US D570,837 S**  
(45) **Date of Patent:** **\*\* Jun. 10, 2008**

(54) **SERVER**

(75) Inventors: **Hideaki Sakamoto**, Kadoma (JP);  
**Toshihiro Nakashima**, Kadoma (JP)

(73) Assignee: **Matsushita Electric Industrial Co., Ltd.**, Osaka (JP)

(\*\*) Term: **14 Years**

(21) Appl. No.: **29/263,297**

(22) Filed: **Jul. 20, 2006**

(30) **Foreign Application Priority Data**

Apr. 13, 2006 (JP) ..... 2006-009575  
Apr. 13, 2006 (JP) ..... 2006-009576

(51) **LOC (8) Cl.** ..... **14-02**

(52) **U.S. Cl.** ..... **D14/301; D14/441**

(58) **Field of Classification Search** ..... D14/301,  
D14/441-446; D13/162, 184, 199; 312/223.2;  
361/680-686, 690, 696; 369/34.01, 36.01  
See application file for complete search history.

(56) **References Cited**

**U.S. PATENT DOCUMENTS**

D388,074 S \* 12/1997 Laituri et al. .... D14/442  
(Continued)

*Primary Examiner*—Freda S Nunn

(74) *Attorney, Agent, or Firm*—Brinks Hofer Gilson & Lione

(57) **CLAIM**

We claim the ornamental design for a server, as shown and described.

**DESCRIPTION**

FIG. 1 is a top perspective view of a first embodiment of a server of the present invention;

FIG. 2 is a front view thereof;

FIG. 3 is a first side view thereof;

FIG. 4 is a second side view thereof;

FIG. 5 is a top view thereof;

FIG. 6 is a rear view thereof;

FIG. 7 is a bottom view thereof;

FIG. 8 is an enlarged front view thereof taken along the lines 8—8 of FIG. 2;

FIG. 9 is an enlarged perspective view of the corner taken along the lines 9—9 of FIG. 2;

FIG. 10 is a cross-section view taken along the line 10—10 of FIG. 5;

FIG. 11 is a top perspective view of a second embodiment of a server of the present invention;

FIG. 12 is a front view thereof;

FIG. 13 is a first side view thereof;

FIG. 14 is a second side view thereof;

FIG. 15 is a top view thereof;

FIG. 16 is a rear view thereof;

FIG. 17 is a bottom view thereof;

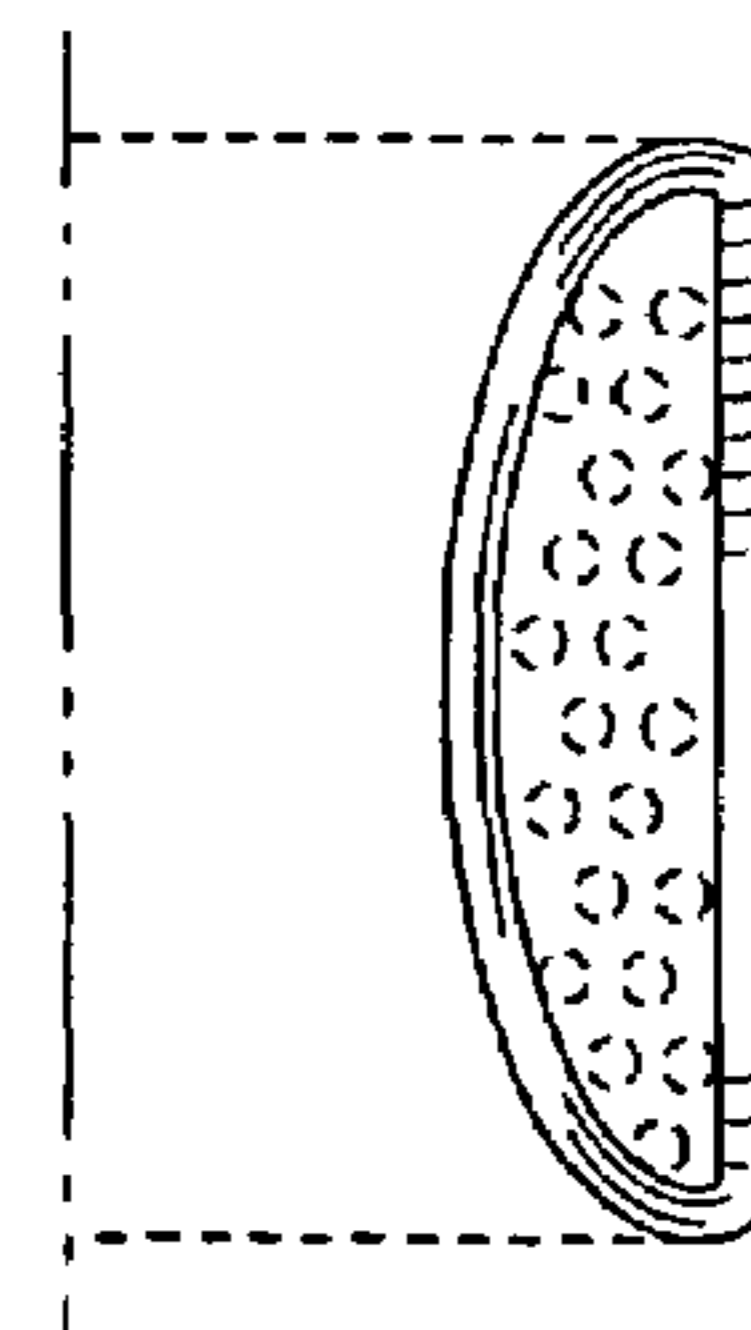
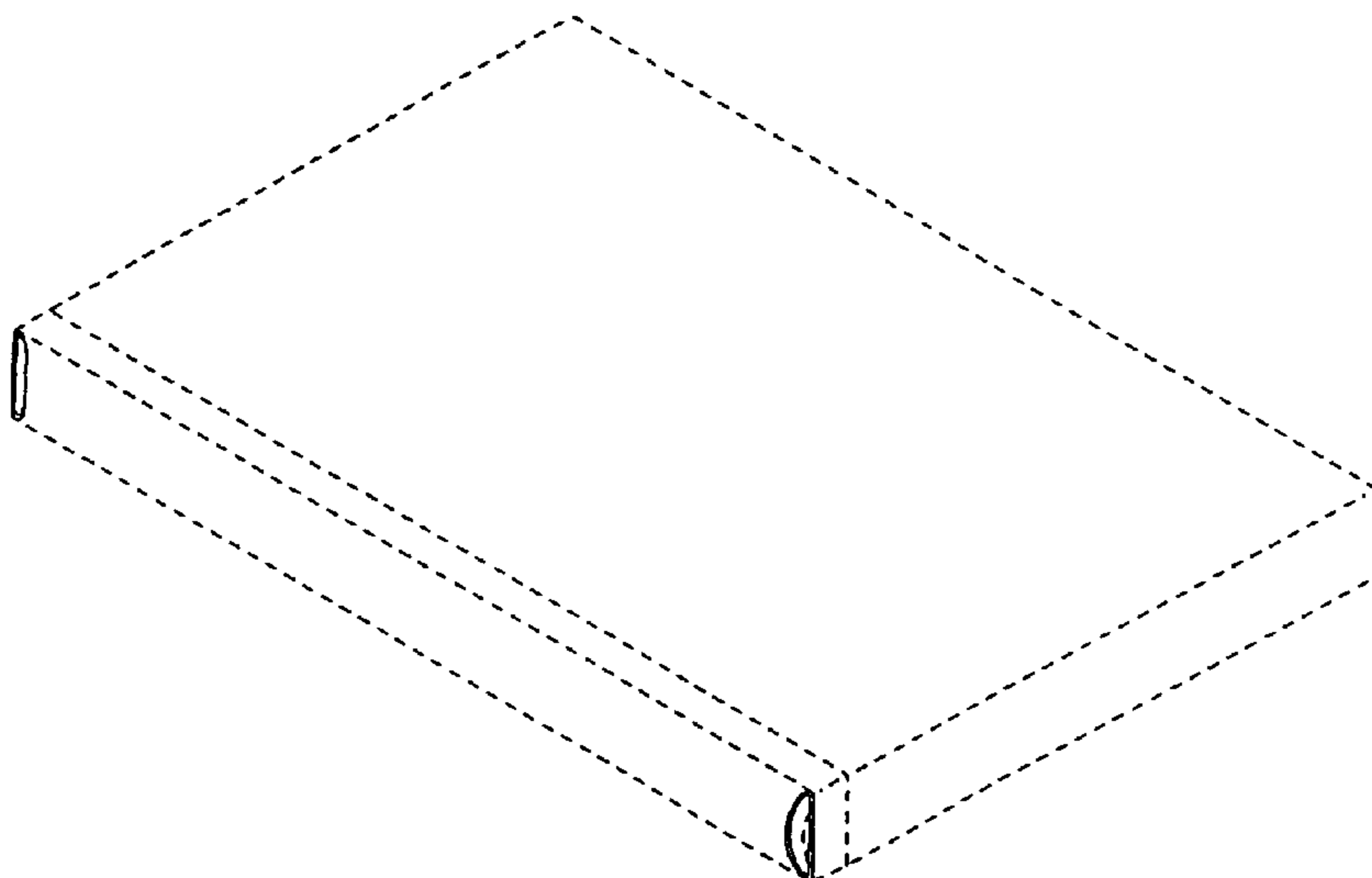
FIG. 18 is an enlarged front view thereof taken along the lines 18—18 of FIG. 12;

FIG. 19 is an enlarged perspective view of the corner taken along the lines 19—19 of FIG. 12; and,

FIG. 20 is a cross-section view taken along the line 20—20 of FIG. 15.

The ornamental design which is claimed is shown in solid lines in the drawings. Any broken lines in the drawings are for illustrative purposes only and form no part of the claimed design.

**1 Claim, 8 Drawing Sheets**



# US D570,837 S

Page 2

---

## U.S. PATENT DOCUMENTS

D447,483 S *	9/2001	Wu .....	D14/441	D469,778 S	2/2003	Mautz et al.	
D447,485 S	9/2001	Carbonneau et al.		D491,570 S *	6/2004	Fan et al. ....	D14/445
D460,963 S	7/2002	Mautz et al.		D515,095 S *	2/2006	Breitbarth et al. ....	D14/441

\* cited by examiner

FIG. 1

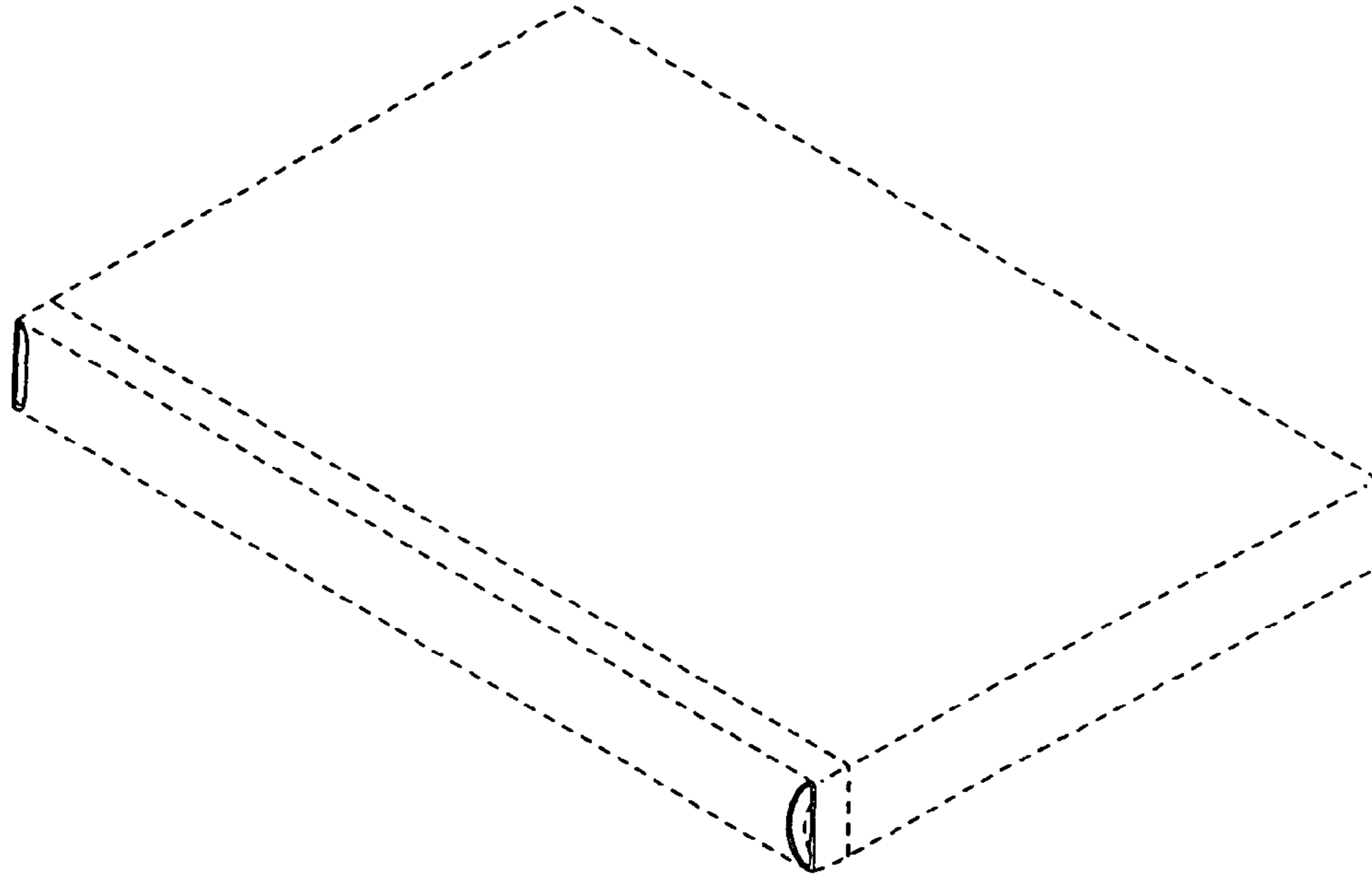


FIG. 2

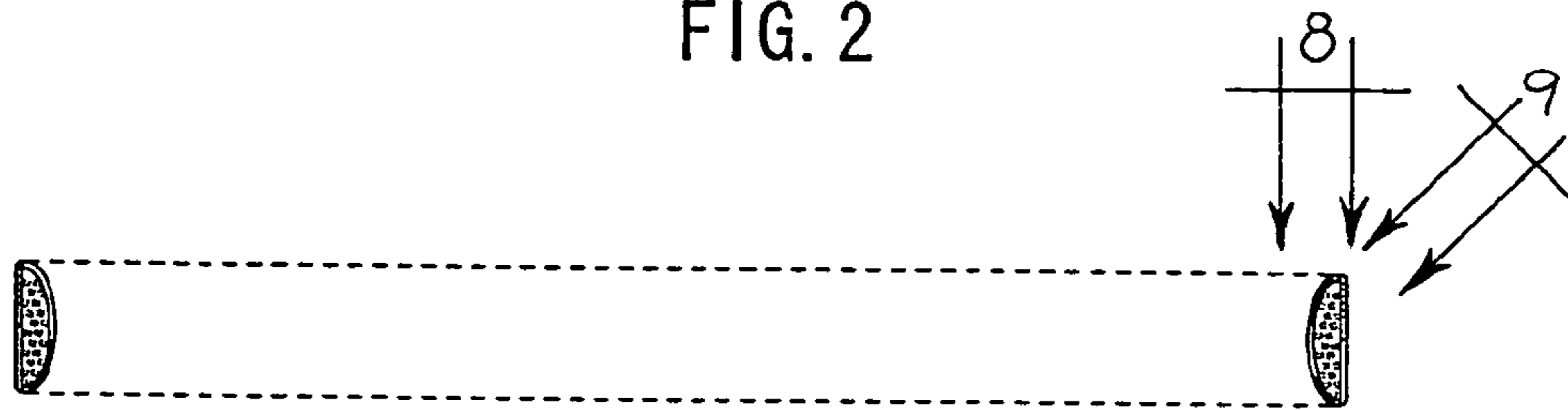


FIG. 3



FIG. 4



FIG. 5

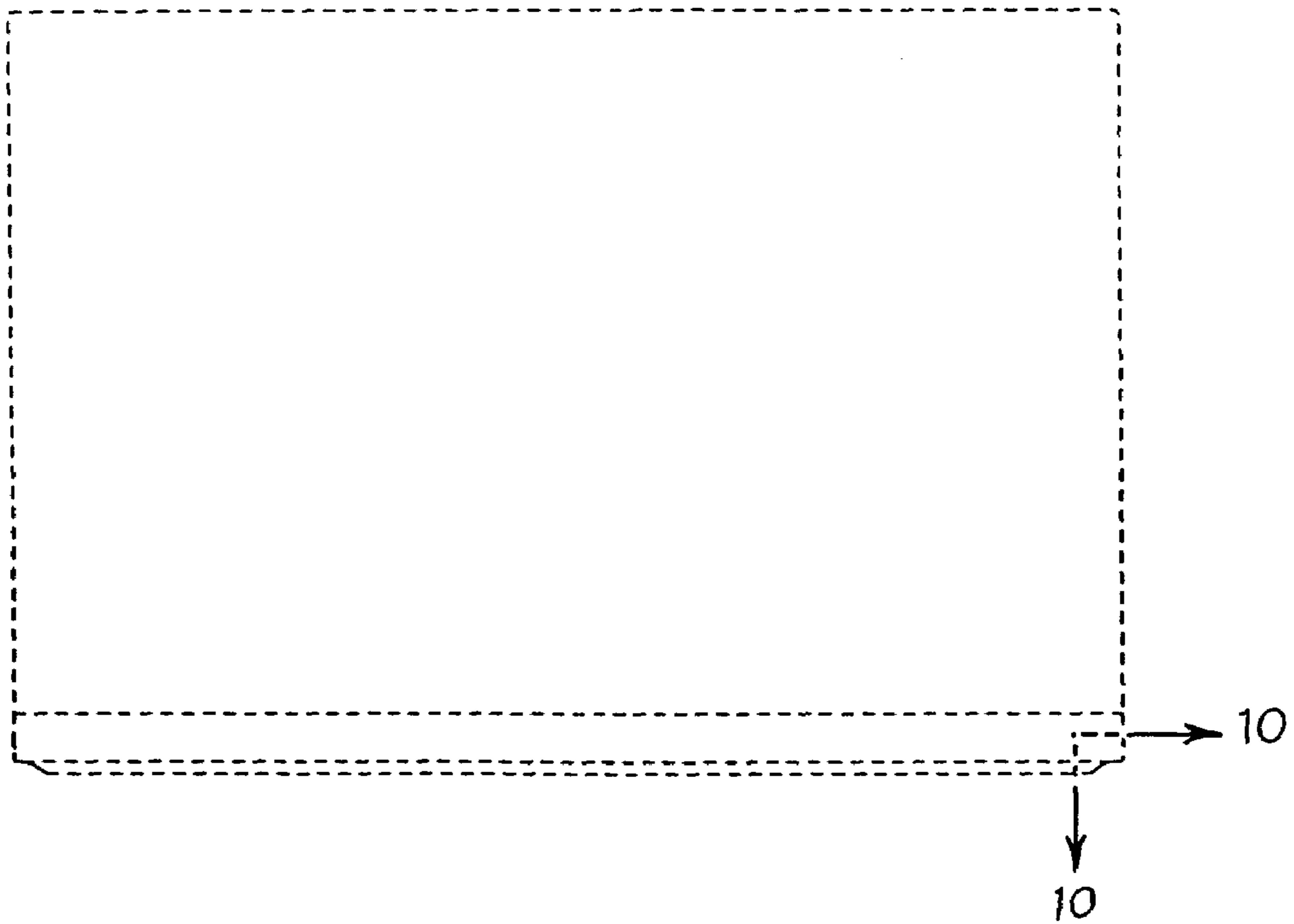


FIG. 6

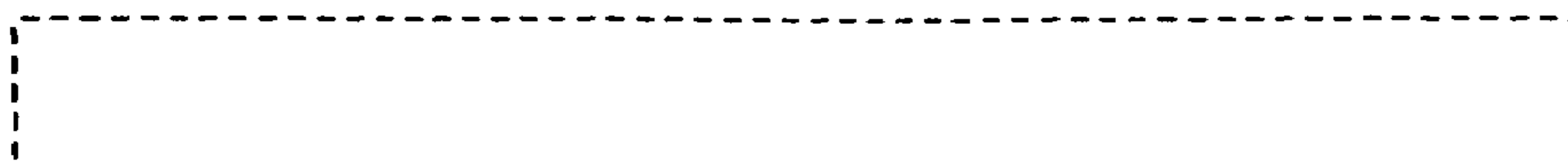


FIG. 7

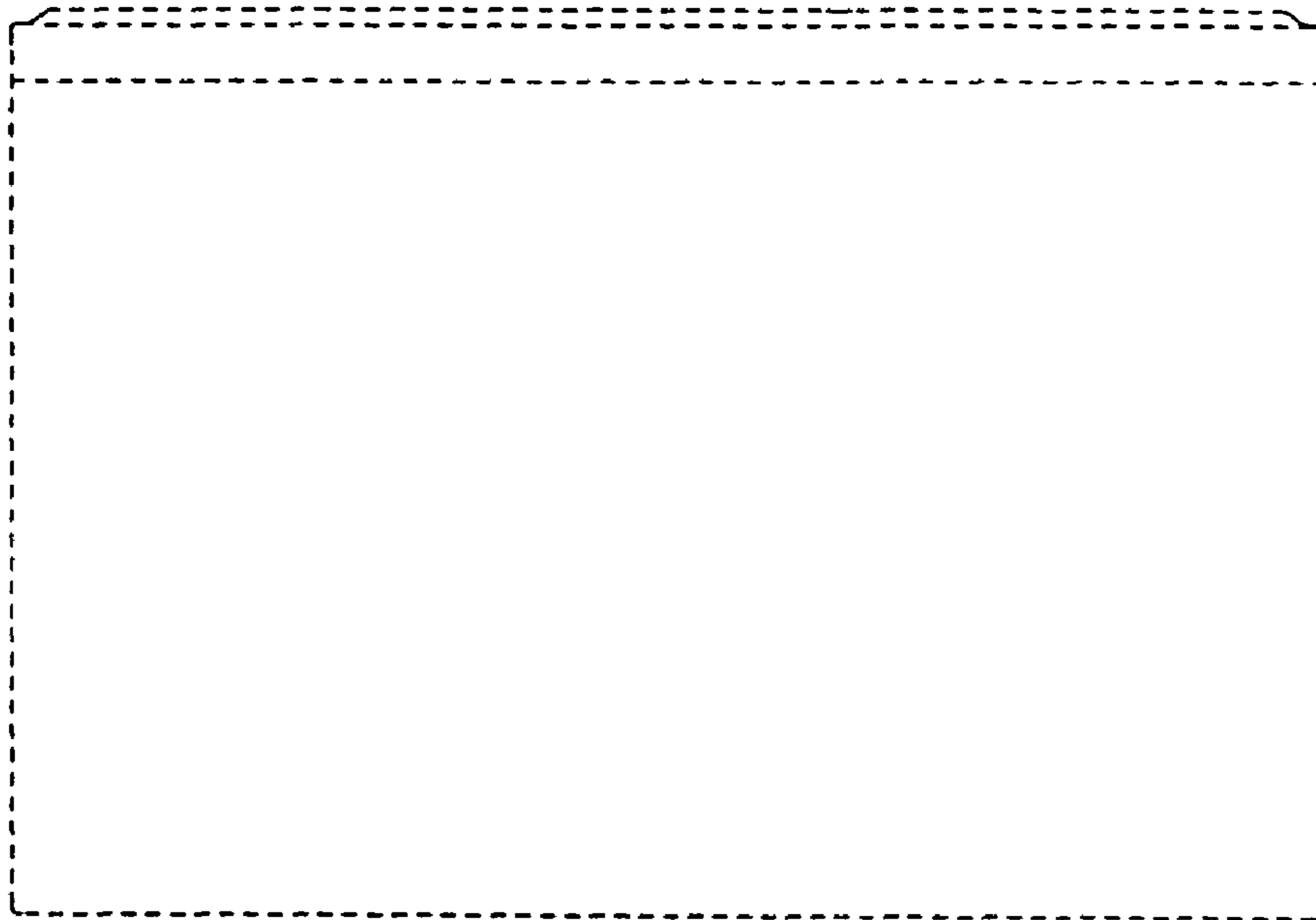


FIG. 8

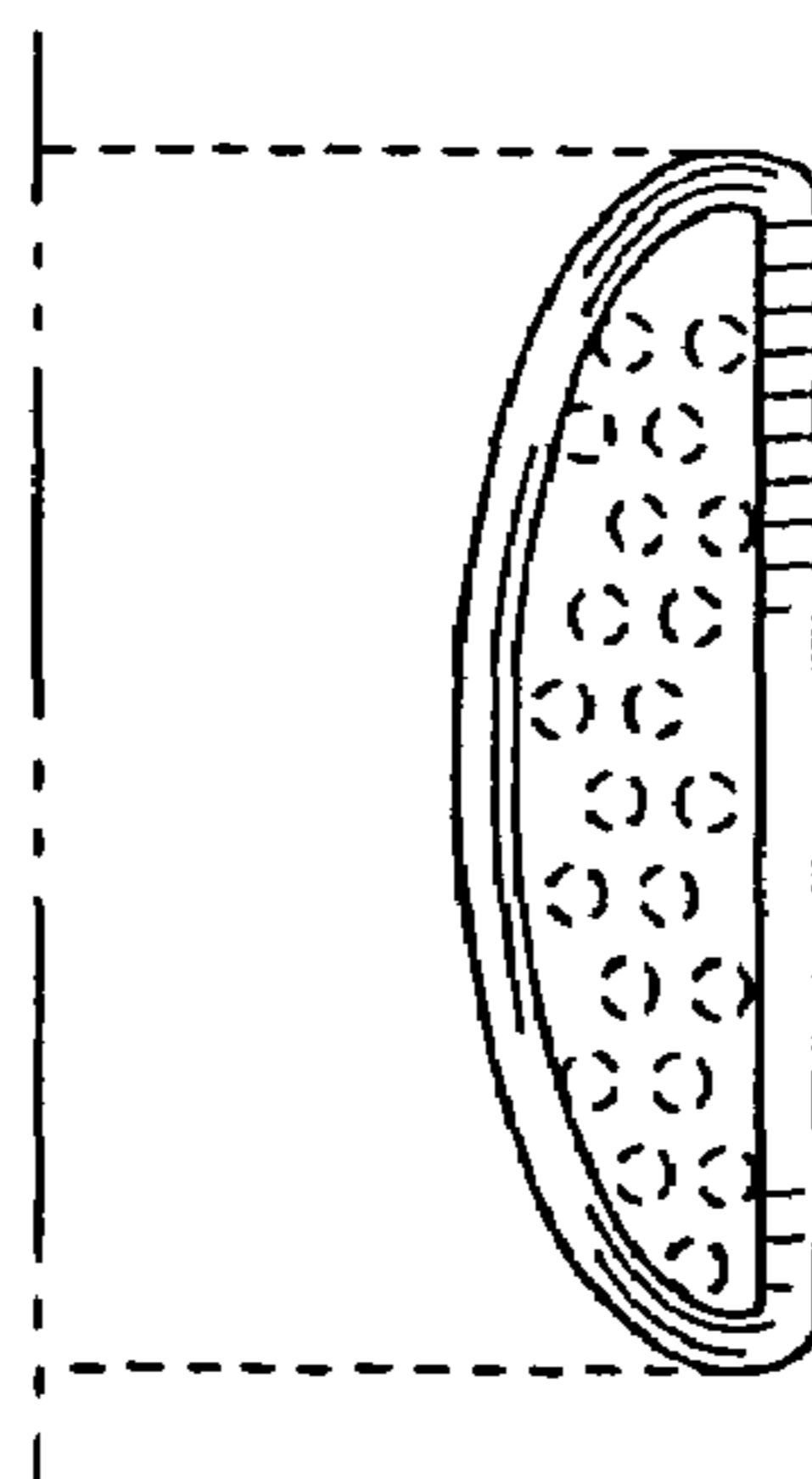


FIG. 9

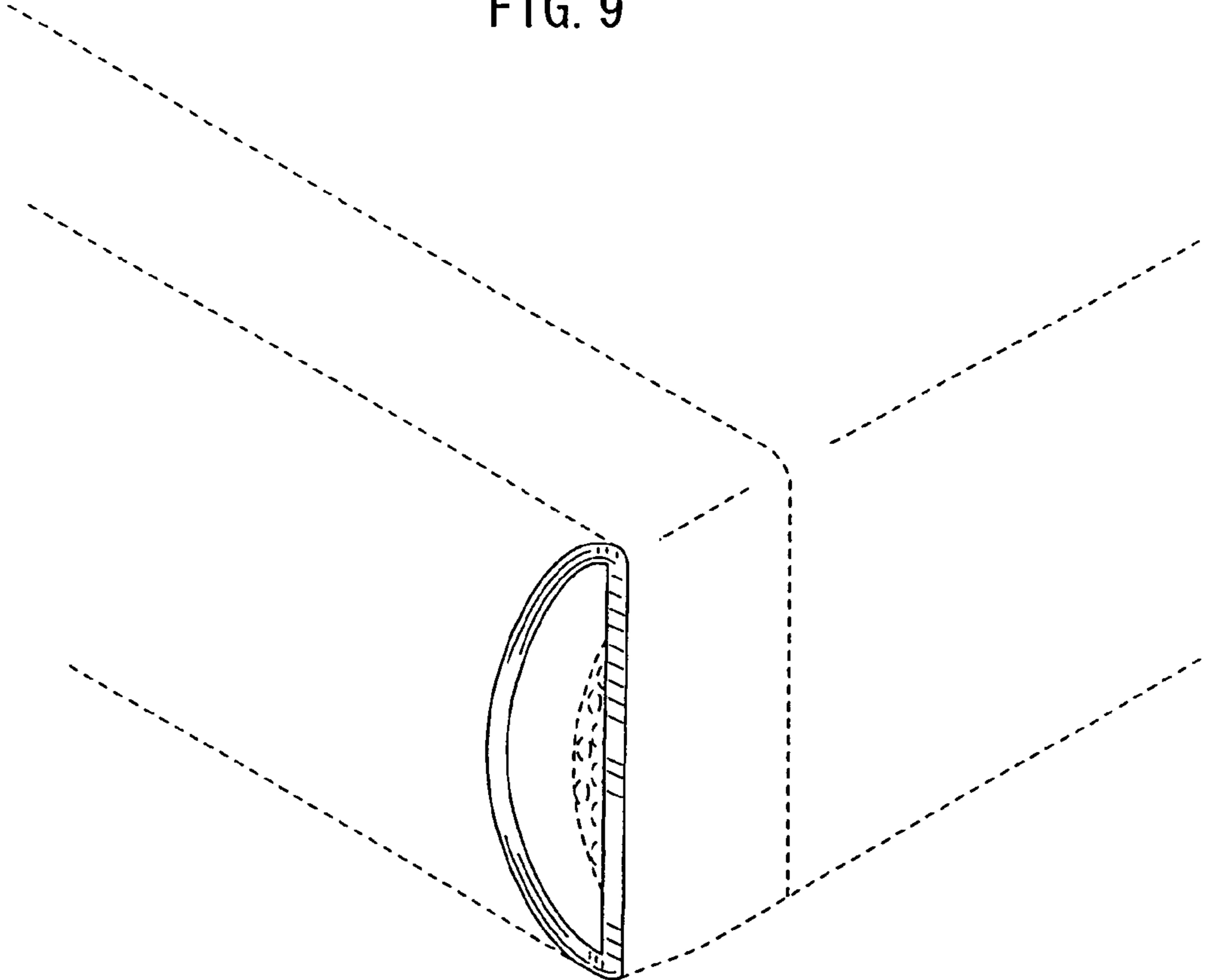


FIG. 10

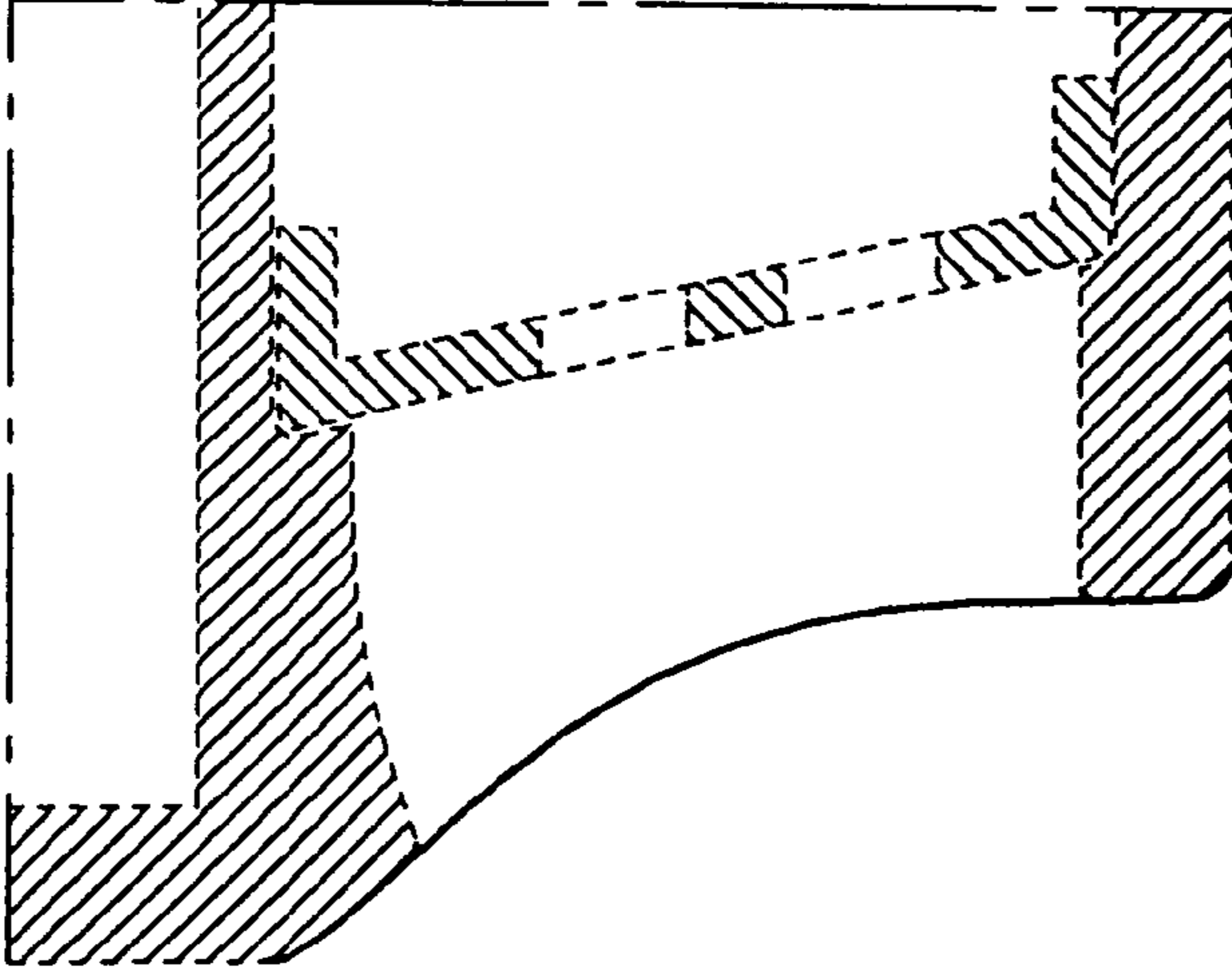


FIG. 11

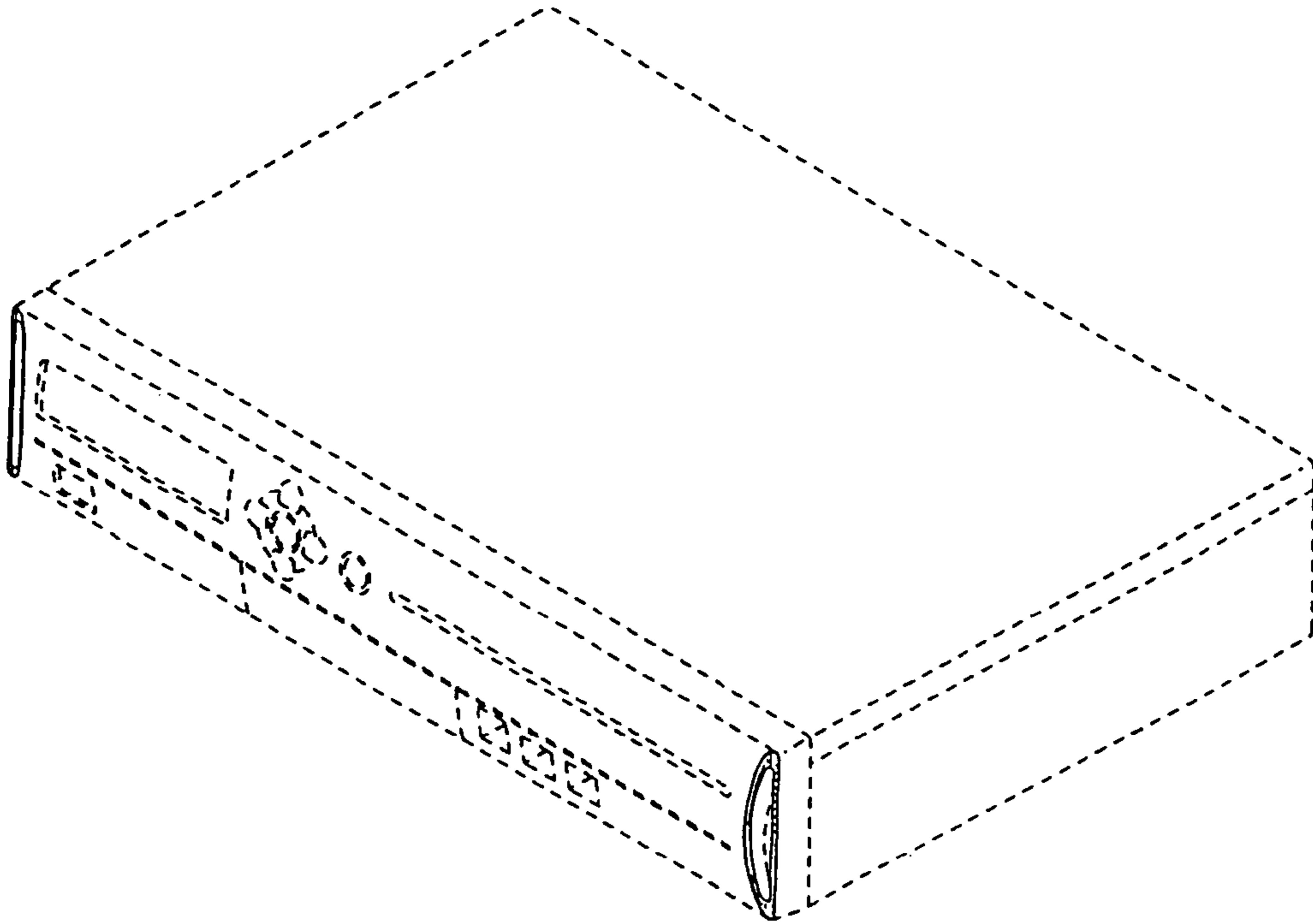


FIG. 12

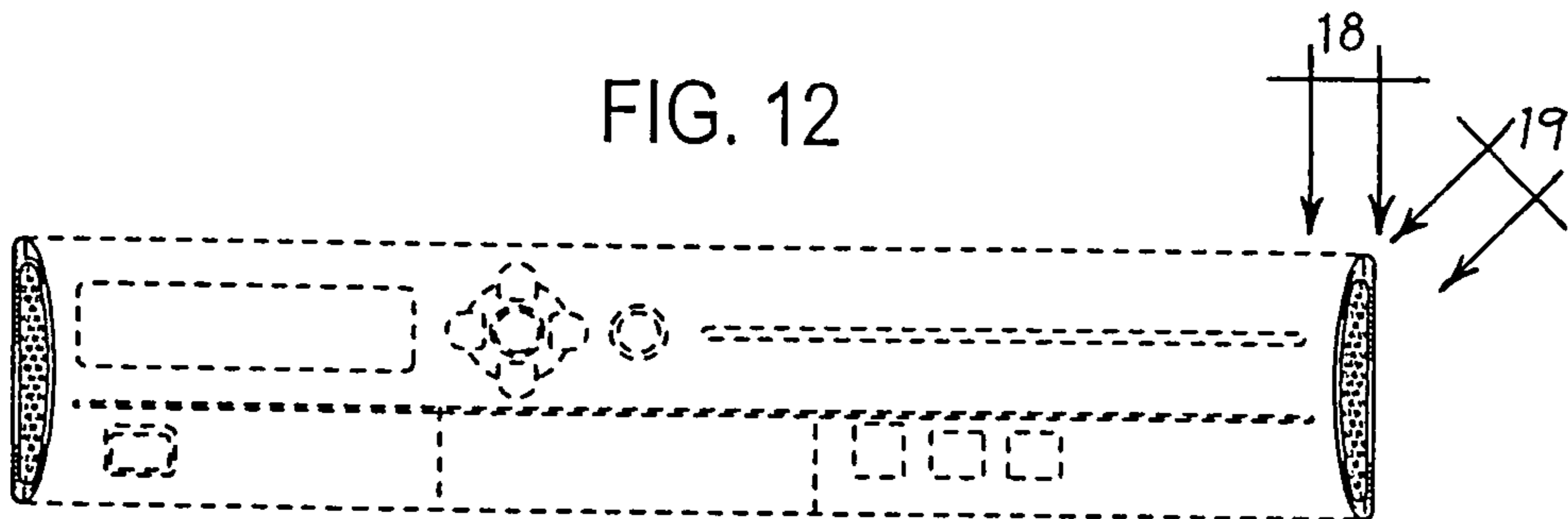


FIG. 13

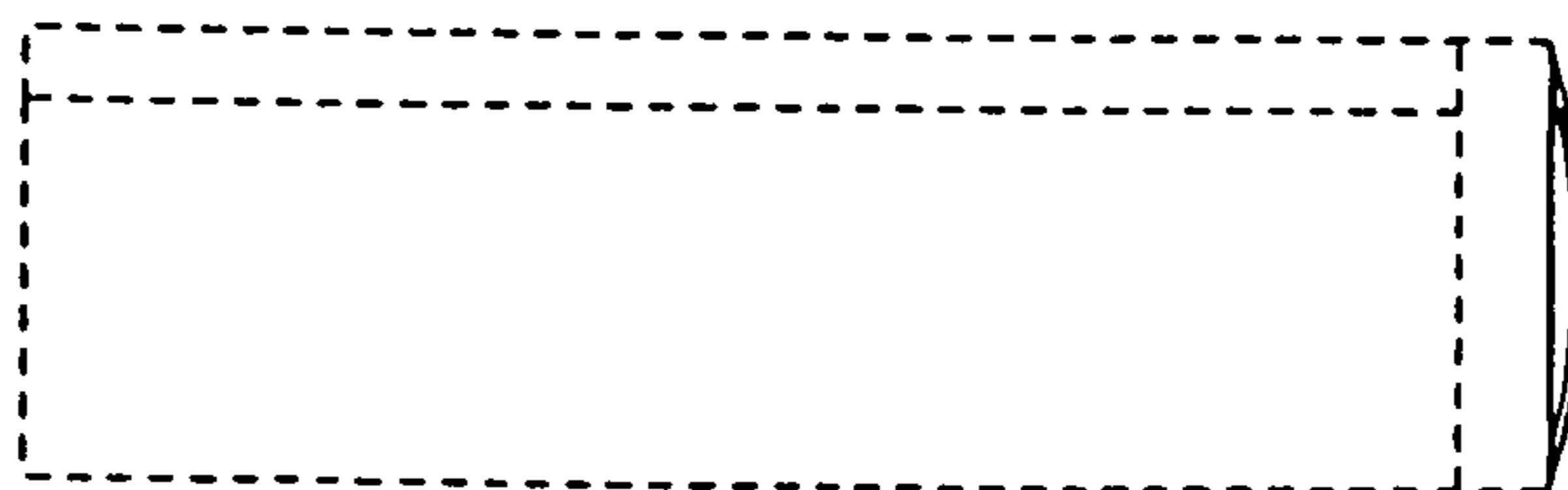


FIG. 14

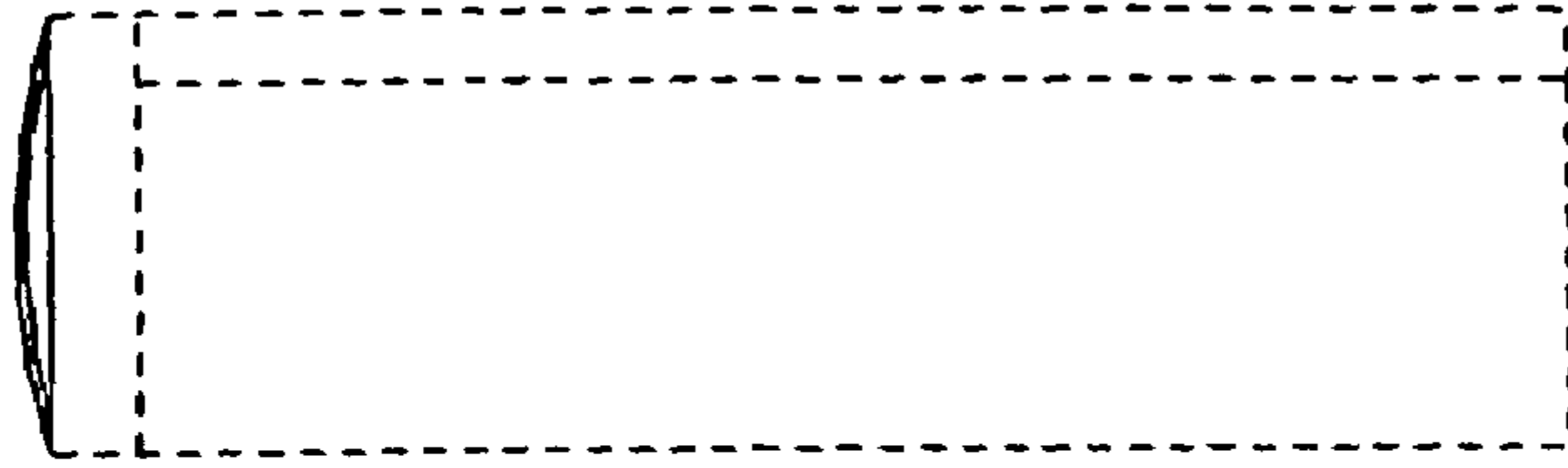


FIG. 15

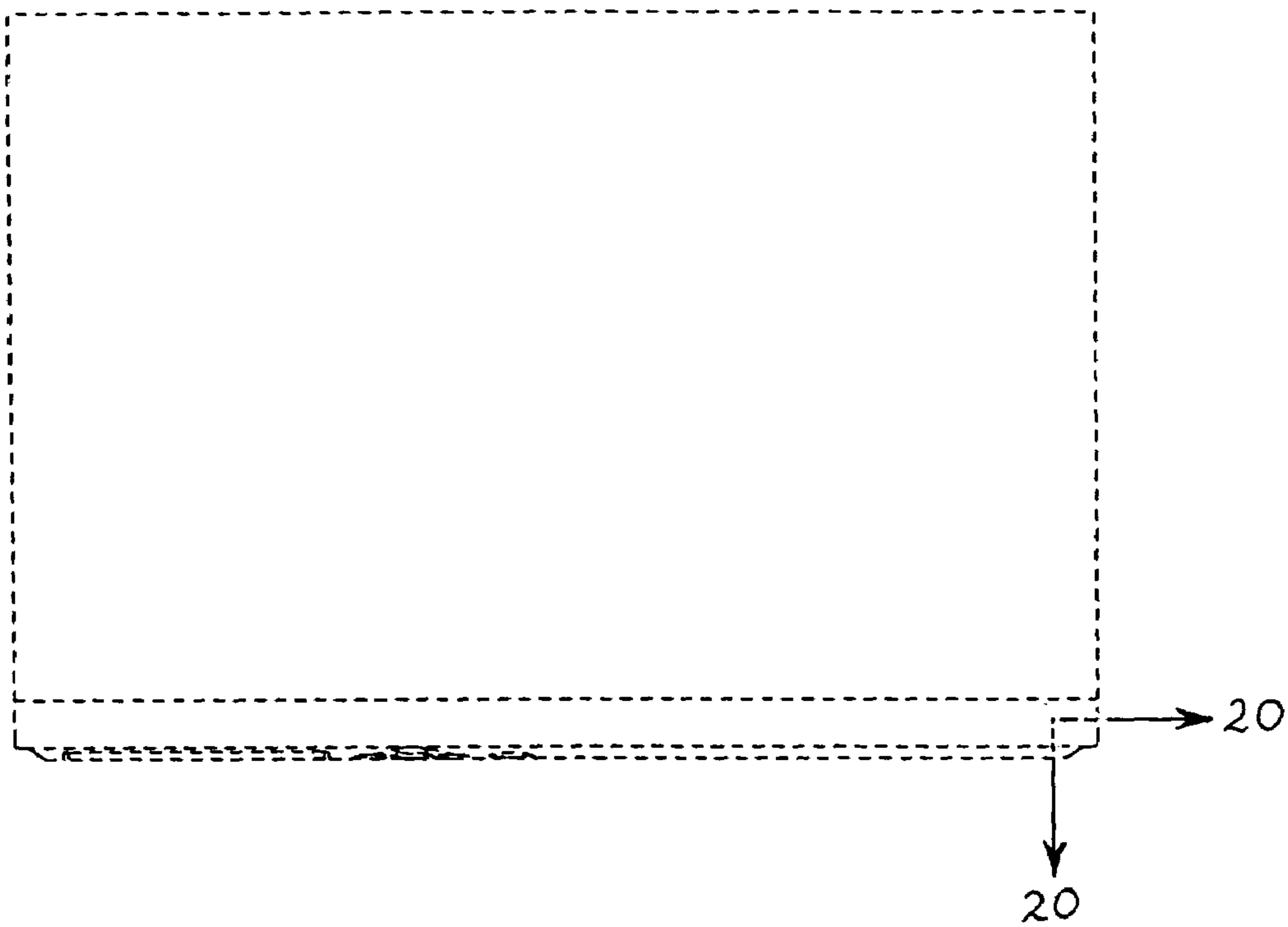


FIG. 16





FIG. 17

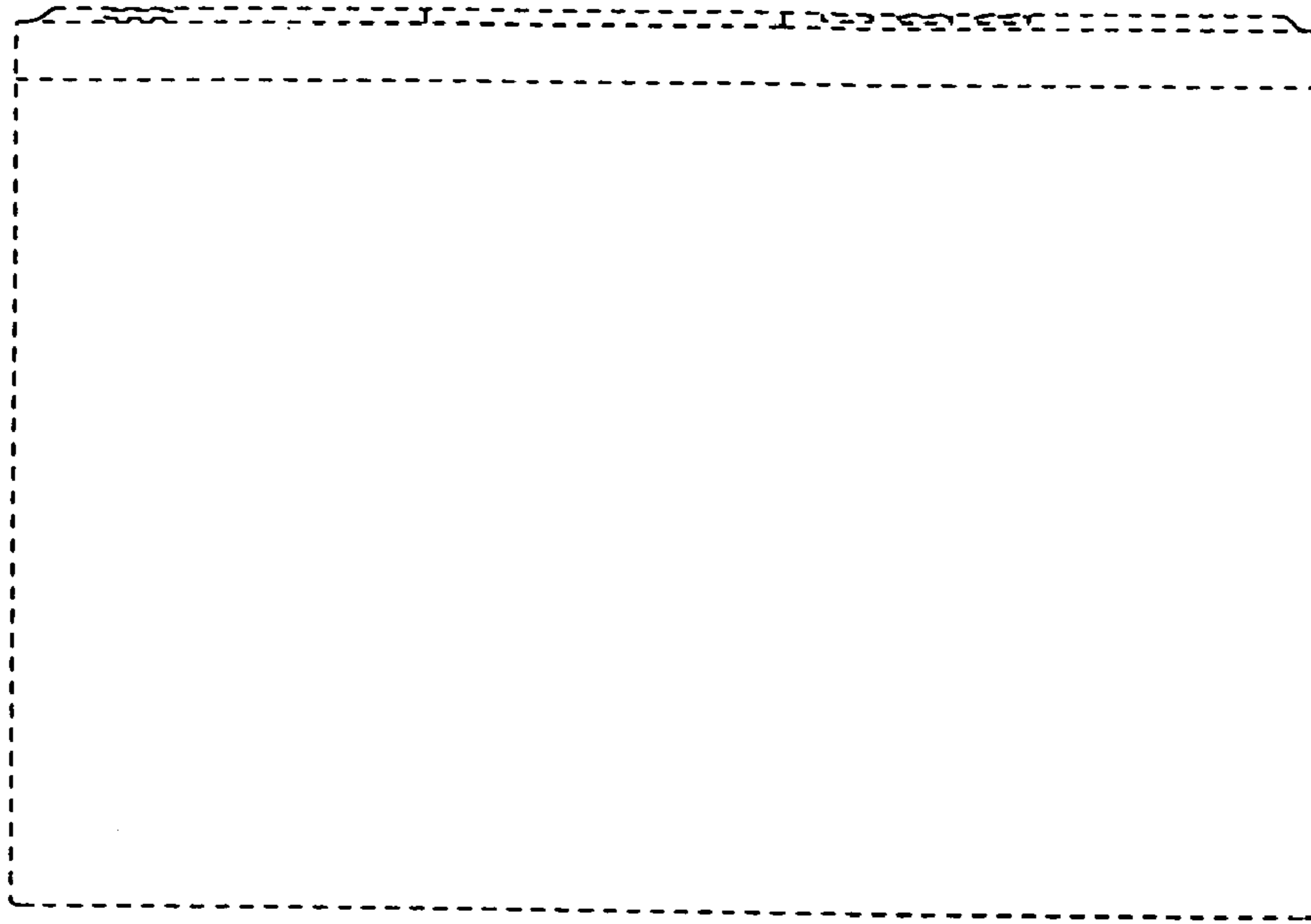


FIG. 18

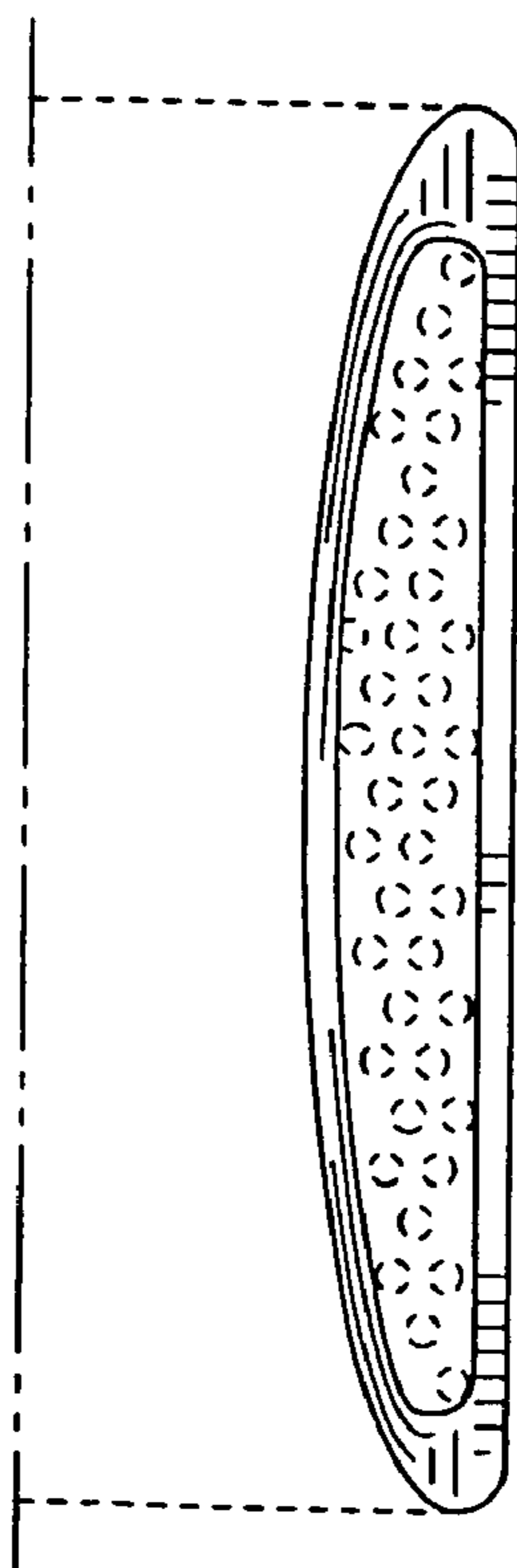


FIG. 19

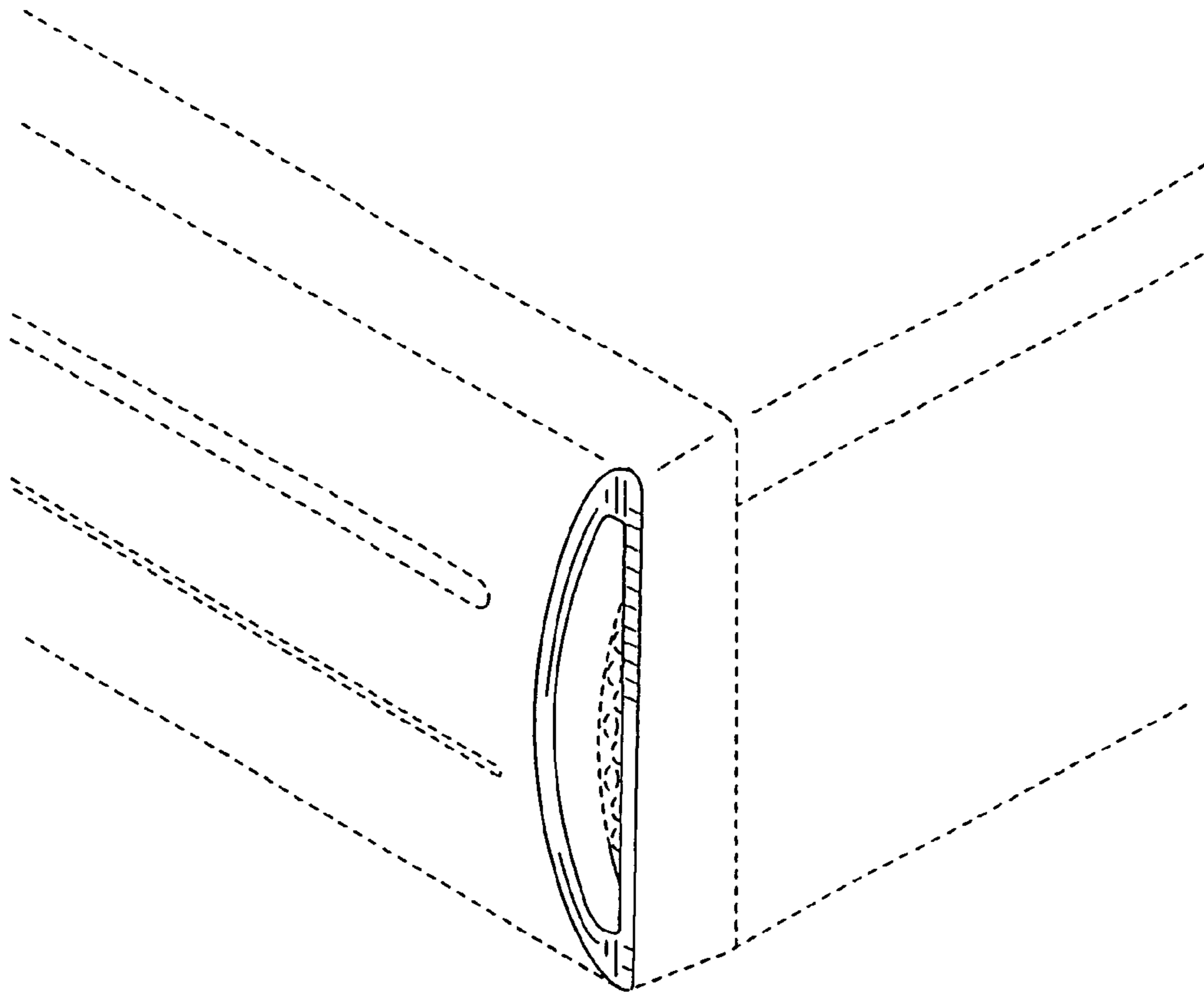


FIG. 20

