



US00D570836S

(12) **United States Design Patent**
Chen

(10) **Patent No.:** **US D570,836 S**

(45) **Date of Patent:** **** Jun. 10, 2008**

(54) **MOBILE ELECTRONICS HOLDER**

(76) Inventor: **Wen Jye Chen**, 1Fl., 15, Lane 191,
Xinhu 2nd Road, Neihu, Taipei 114
(TW)

(**) Term: **14 Years**

(21) Appl. No.: **29/277,918**

(22) Filed: **Mar. 14, 2007**

(51) **LOC (8) Cl.** **14-03**

(52) **U.S. Cl.** **D14/253**

(58) **Field of Classification Search** D14/140,
D14/142, 146, 224, 240, 250-253, 434, 447,
D14/452; D3/218; 206/320; D6/466; D8/71,
D8/350, 354-355, 363, 373, 380; D12/400,
D12/415, 414; D13/107-108; D16/242;
248/121, 122.1, 157, 160, 205.5, 205.8, 206.2,
248/274.1, 371, 917; 320/107-108, 114-115;
379/454, 455; 455/575.1, 575.2, 575.6, 575.9,
455/90.3

See application file for complete search history.

(56) **References Cited**

U.S. PATENT DOCUMENTS

D49,679 S *	9/1916	Standish	D14/253
D361,768 S *	8/1995	Chen	D14/251
D404,038 S *	1/1999	Fransson et al.	D14/153
6,913,232 B2 *	7/2005	Richter	248/205.8
D530,333 S *	10/2006	Richter	D14/447
D545,826 S *	7/2007	Richter	D14/447
D549,709 S *	8/2007	Richter	D14/447
D552,454 S *	10/2007	Fynn	D8/363
D554,042 S *	10/2007	Richter	D12/415
2004/0011932 A1 *	1/2004	Duff	248/157
2006/0113434 A1 *	6/2006	Richter	248/121
2007/0012825 A1 *	1/2007	Yeh	248/122.1

* cited by examiner

Primary Examiner—Ian Simmons
Assistant Examiner—Carla Wright

(57) **CLAIM**

The ornamental design for a mobile electronics holder, as shown and described.

DESCRIPTION

FIG. 1 is an exploded perspective view of the mobile electronics holder;

FIG. 2 is an exploded front view thereof;

FIG. 3 is an exploded rear view thereof;

FIG. 4 is an exploded left side elevational view thereof;

FIG. 5 is an exploded right side elevational view thereof;

FIG. 6 is a top view of the base portion of the mobile electronics holder shown separately for ease of illustration;

FIG. 7 is a top view of the upper portion of the mobile electronics holder shown separately for ease of illustration;

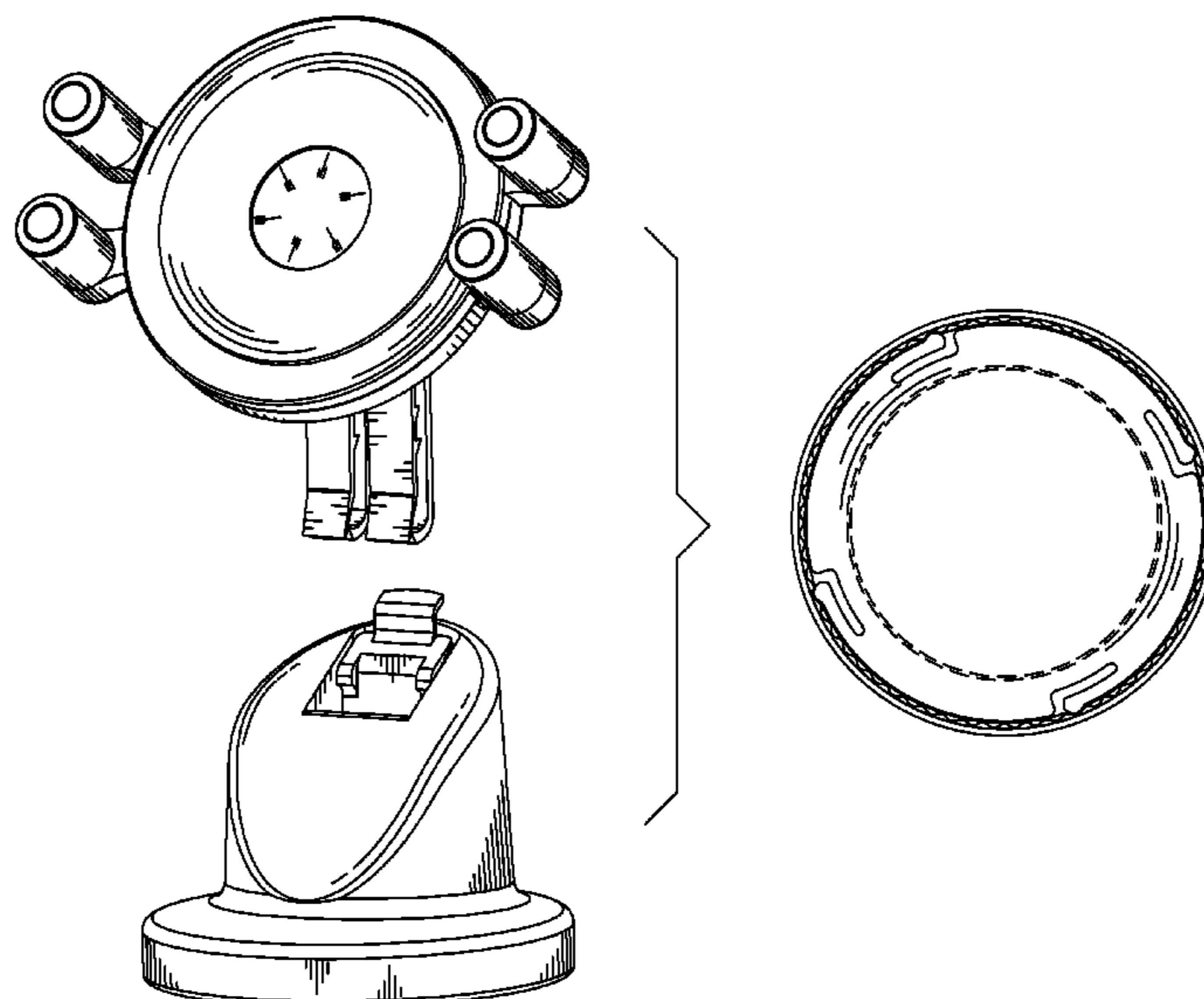
FIG. 8 is a bottom view of the base portion of the mobile electronics holder shown separately for ease of illustration;

FIG. 9 is a bottom view of the upper portion of the mobile electronics holder shown separately for ease of illustration; and,

FIG. 10 is a perspective view of a mobile electronics holder showing my new design.

The single broken line extending from the base portion of the mobile electronics holder to the upper portion thereof in the exploded views (FIGS. 2-5) is intended to set forth the pathway along which the base portion is exploded from the upper portion of the mobile electronics holder. All other broken lines represent environmental structures which form no part of the claimed design.

1 Claim, 8 Drawing Sheets



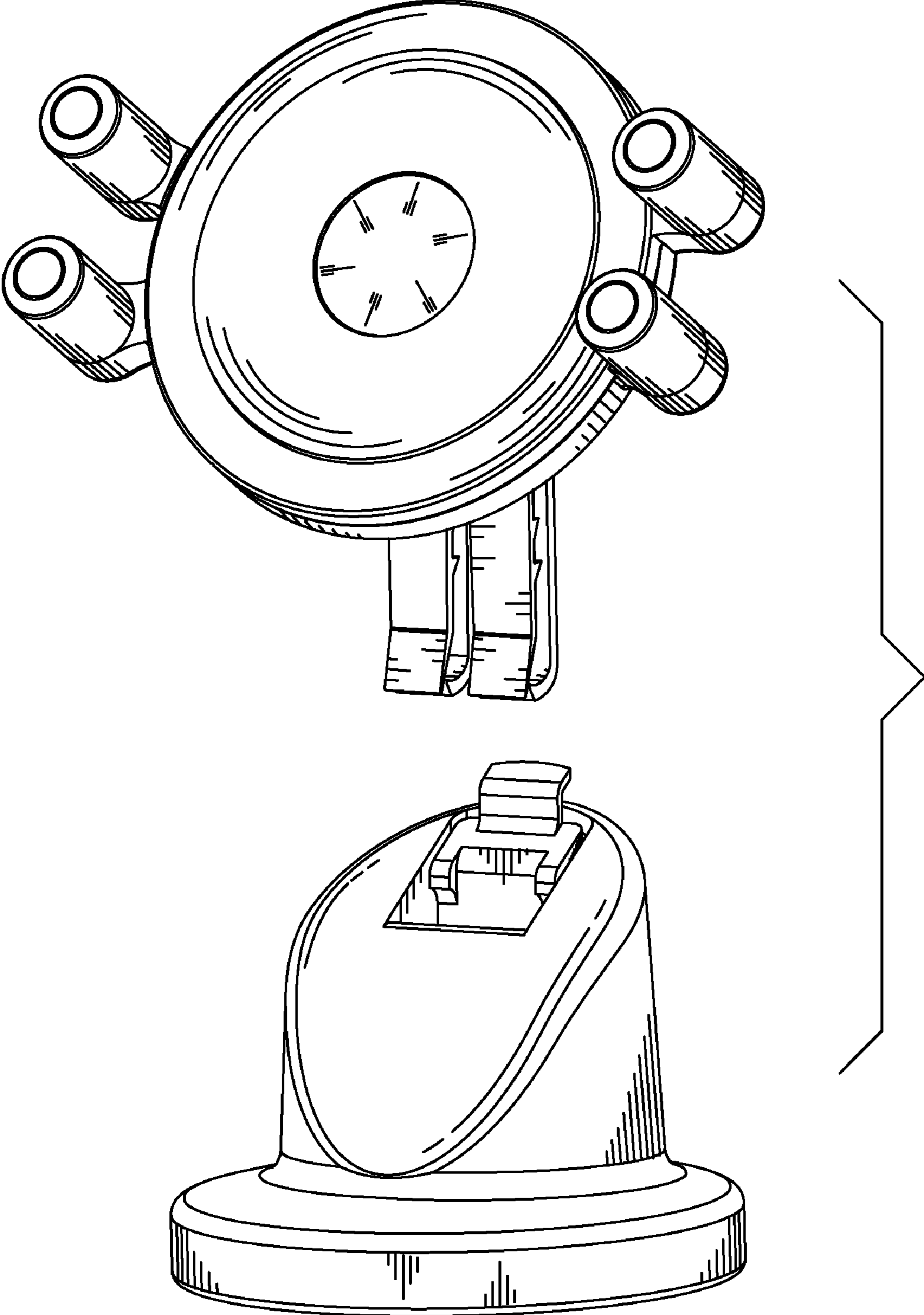


FIG. 1

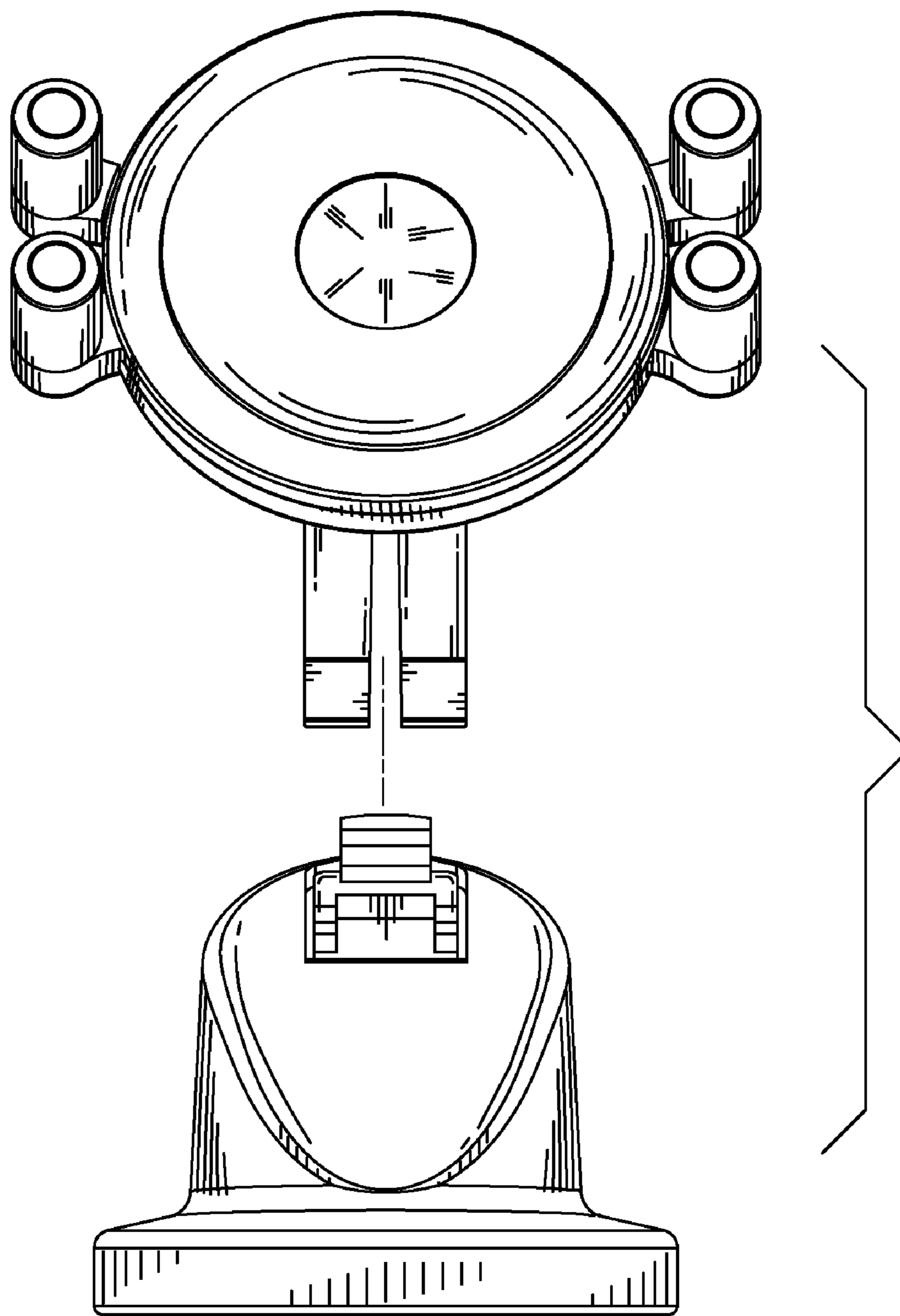


FIG. 2

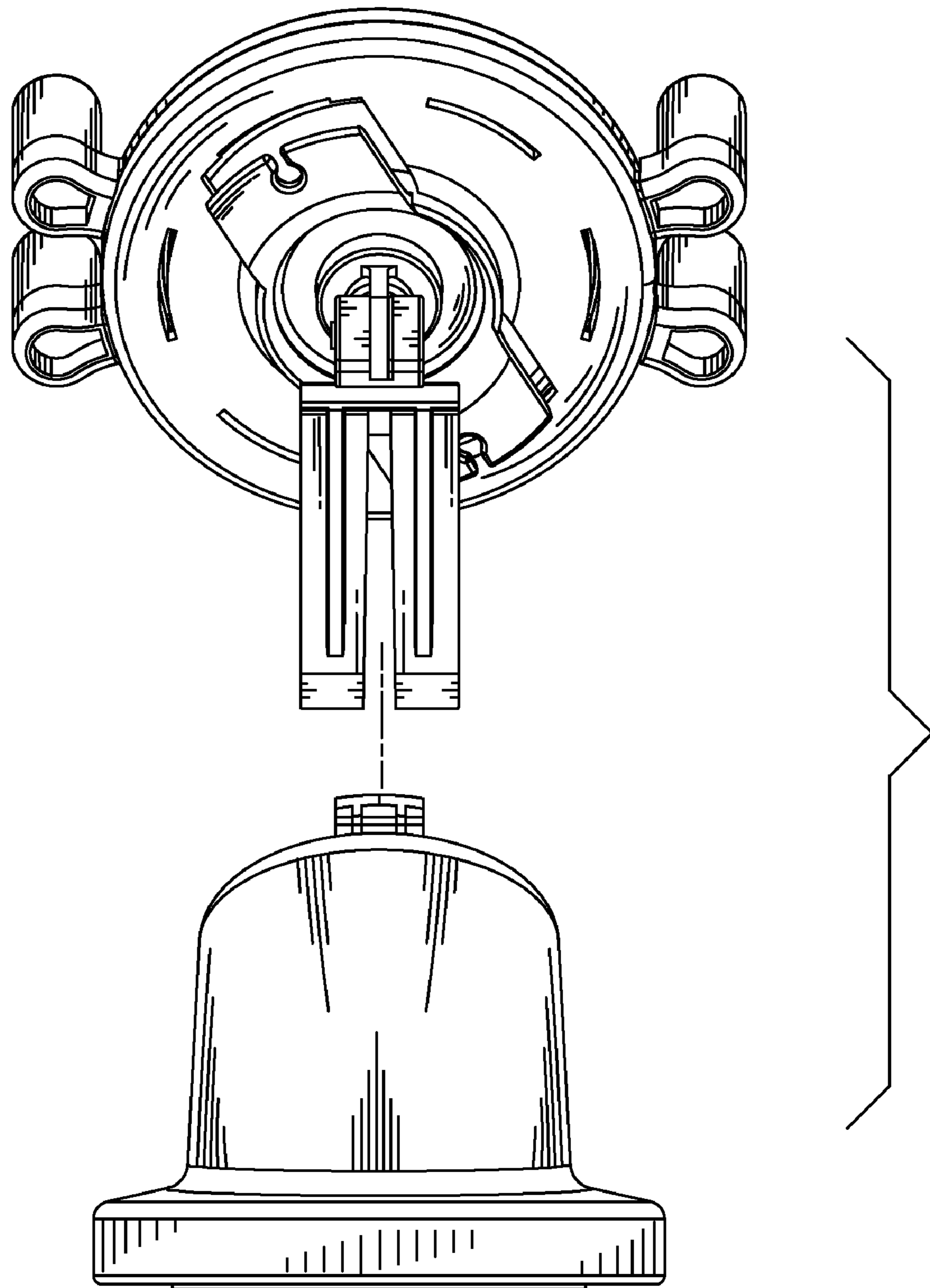


FIG. 3

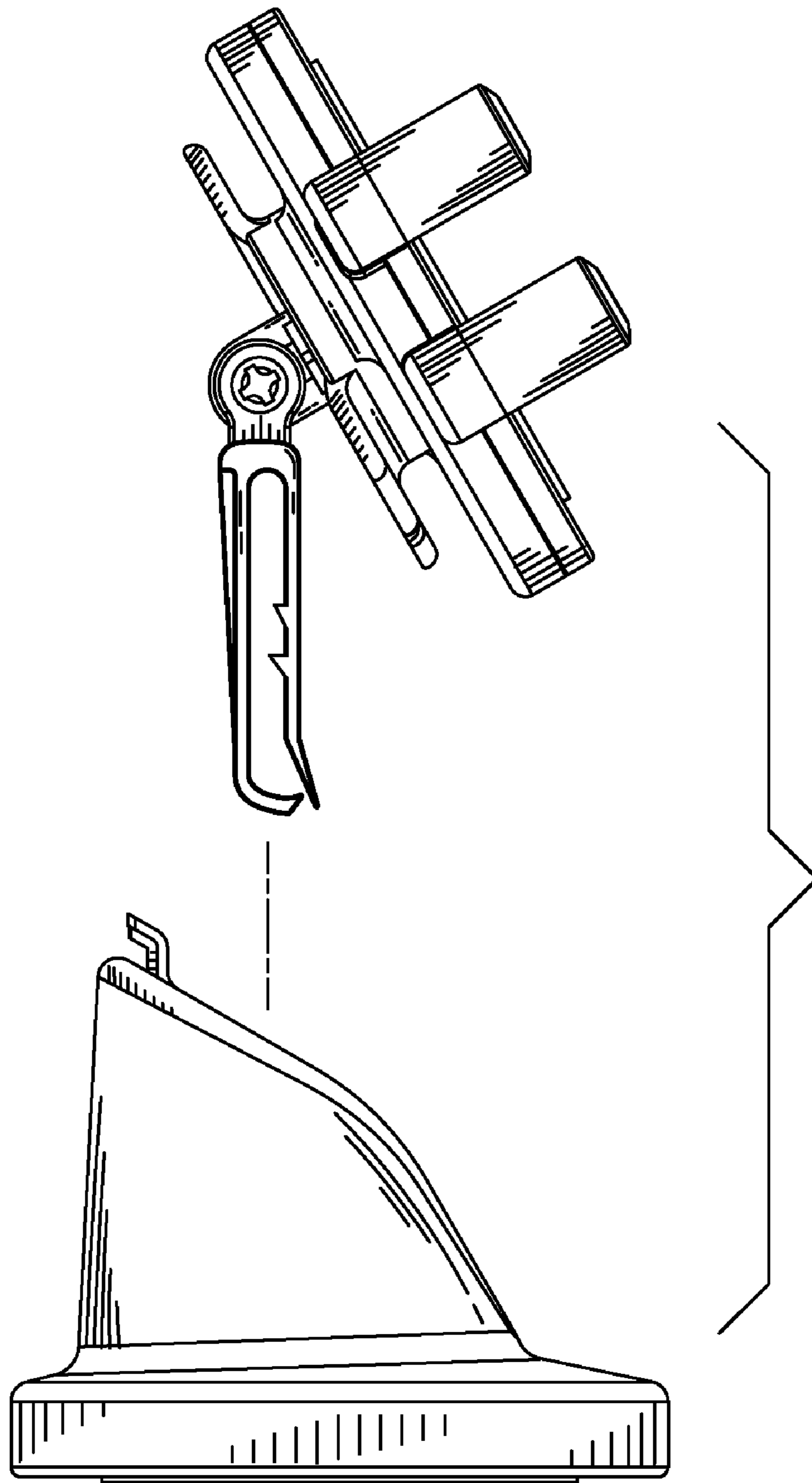


FIG. 4

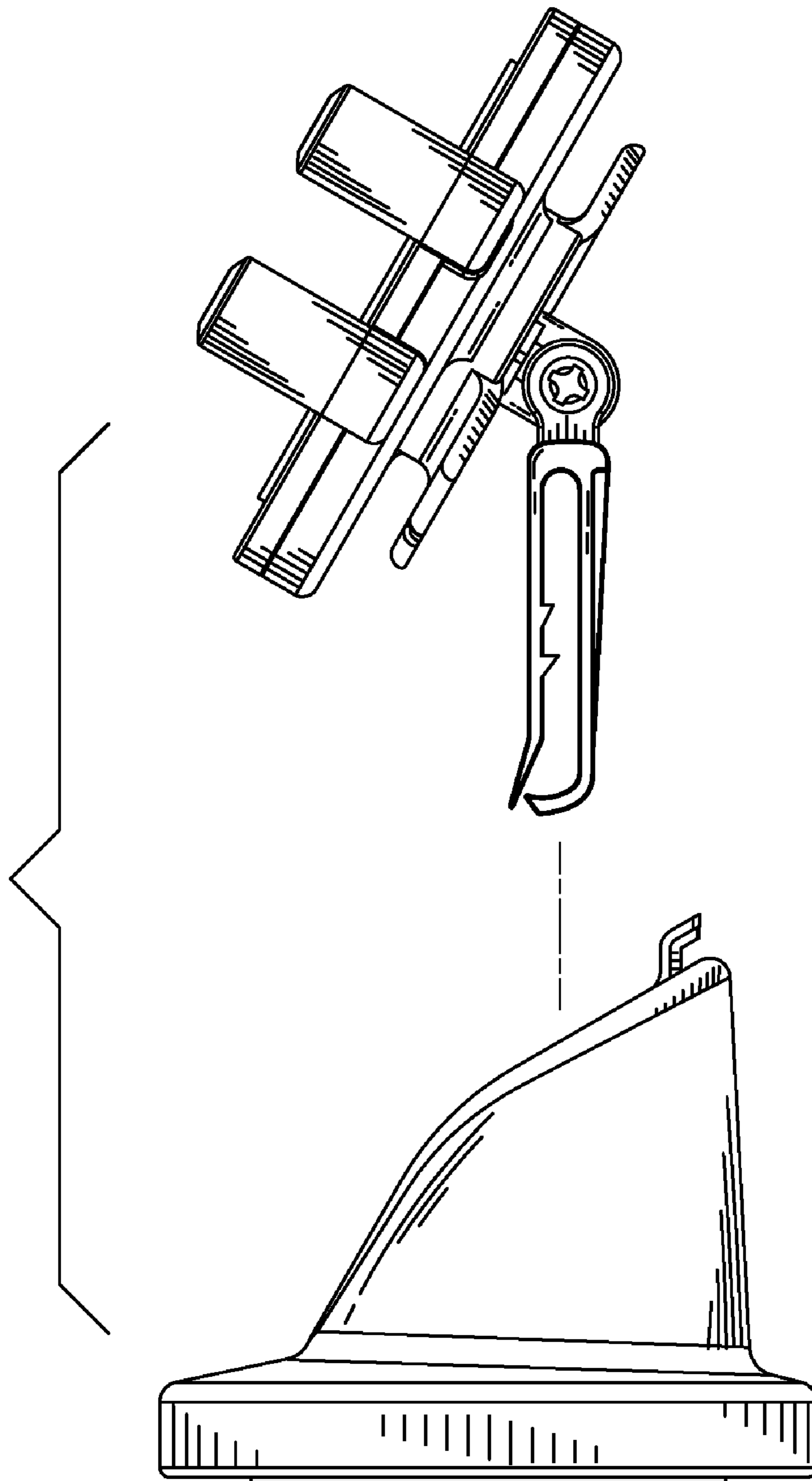


FIG. 5

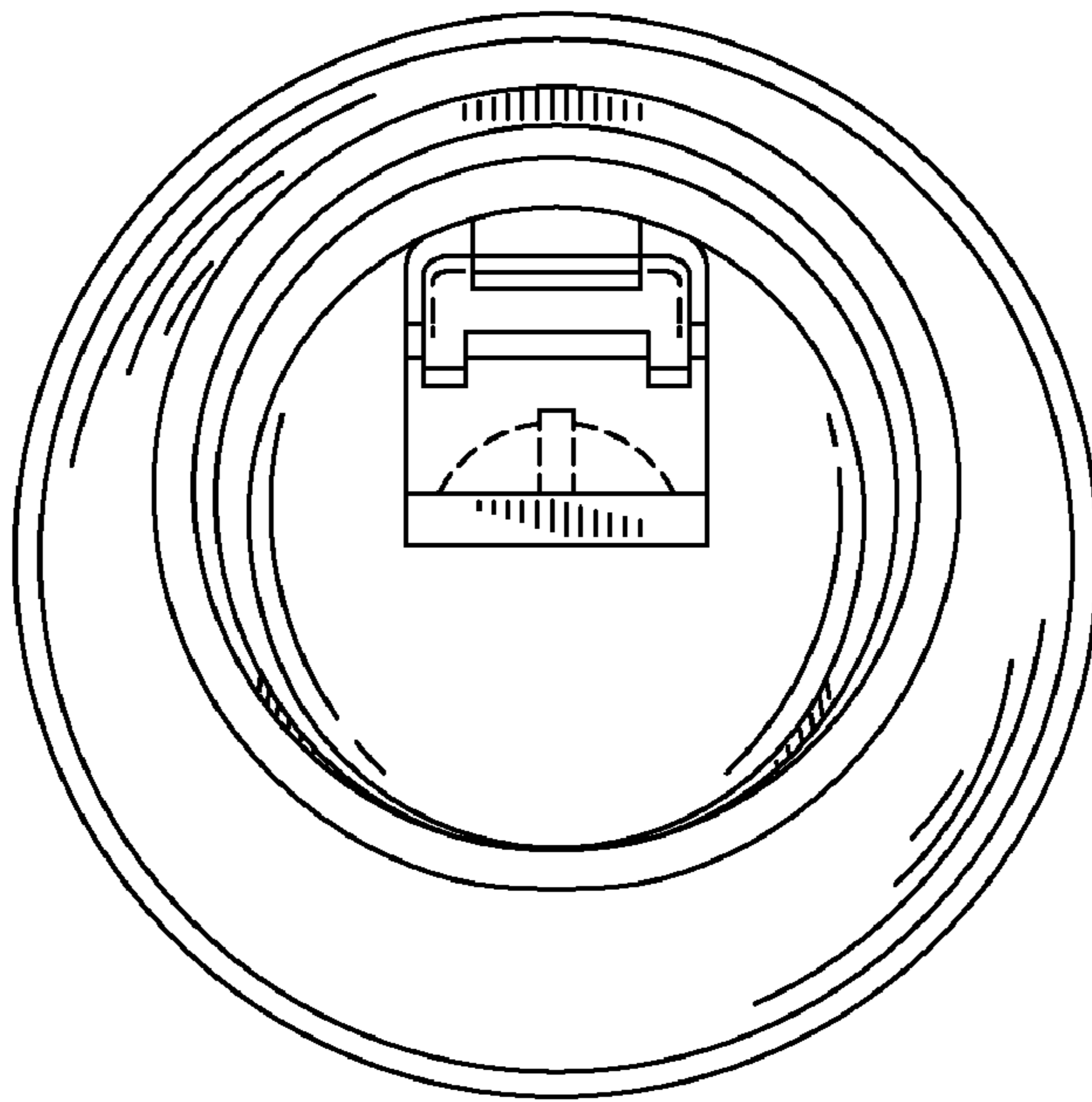


FIG. 6

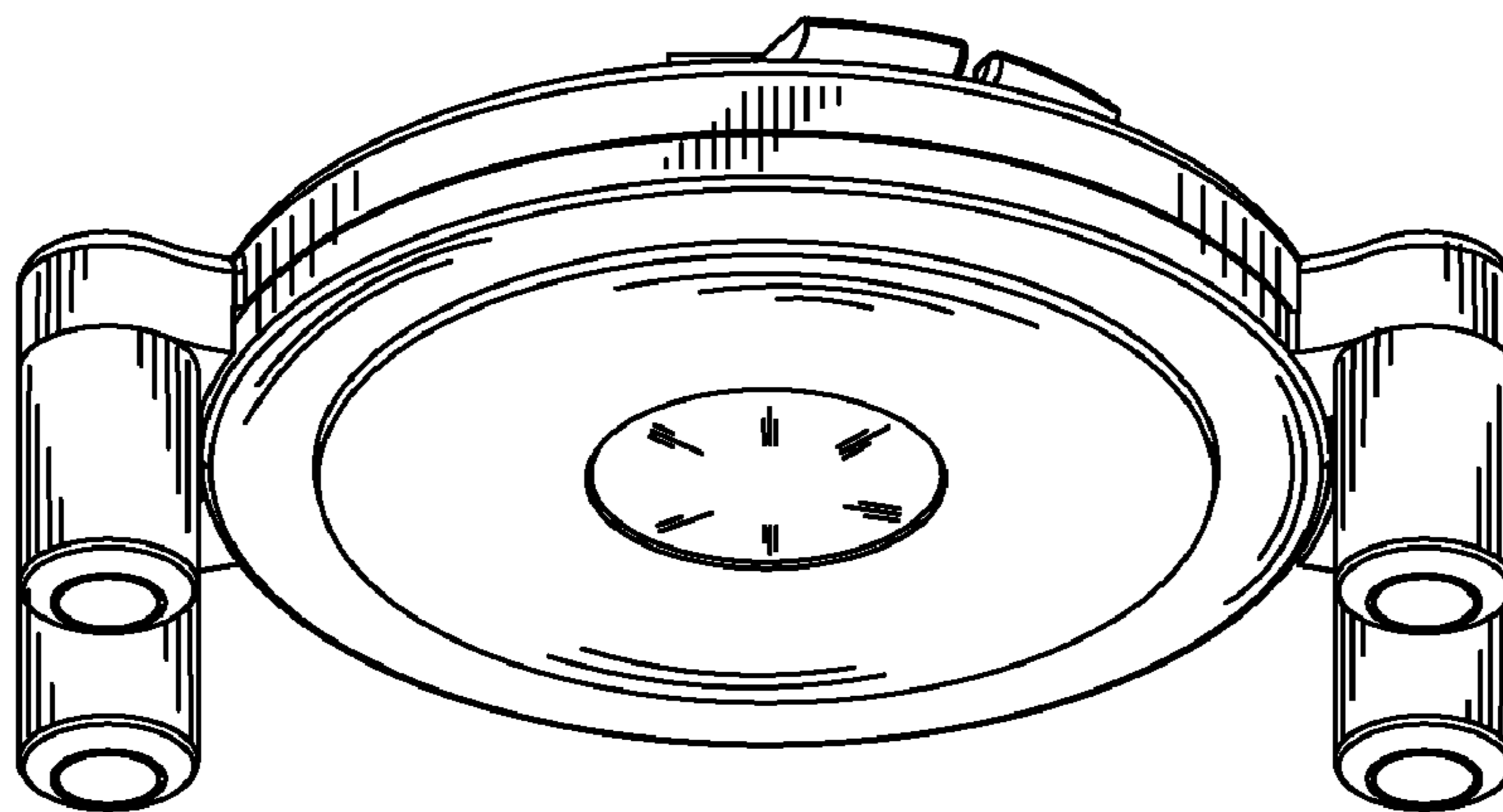


FIG. 7

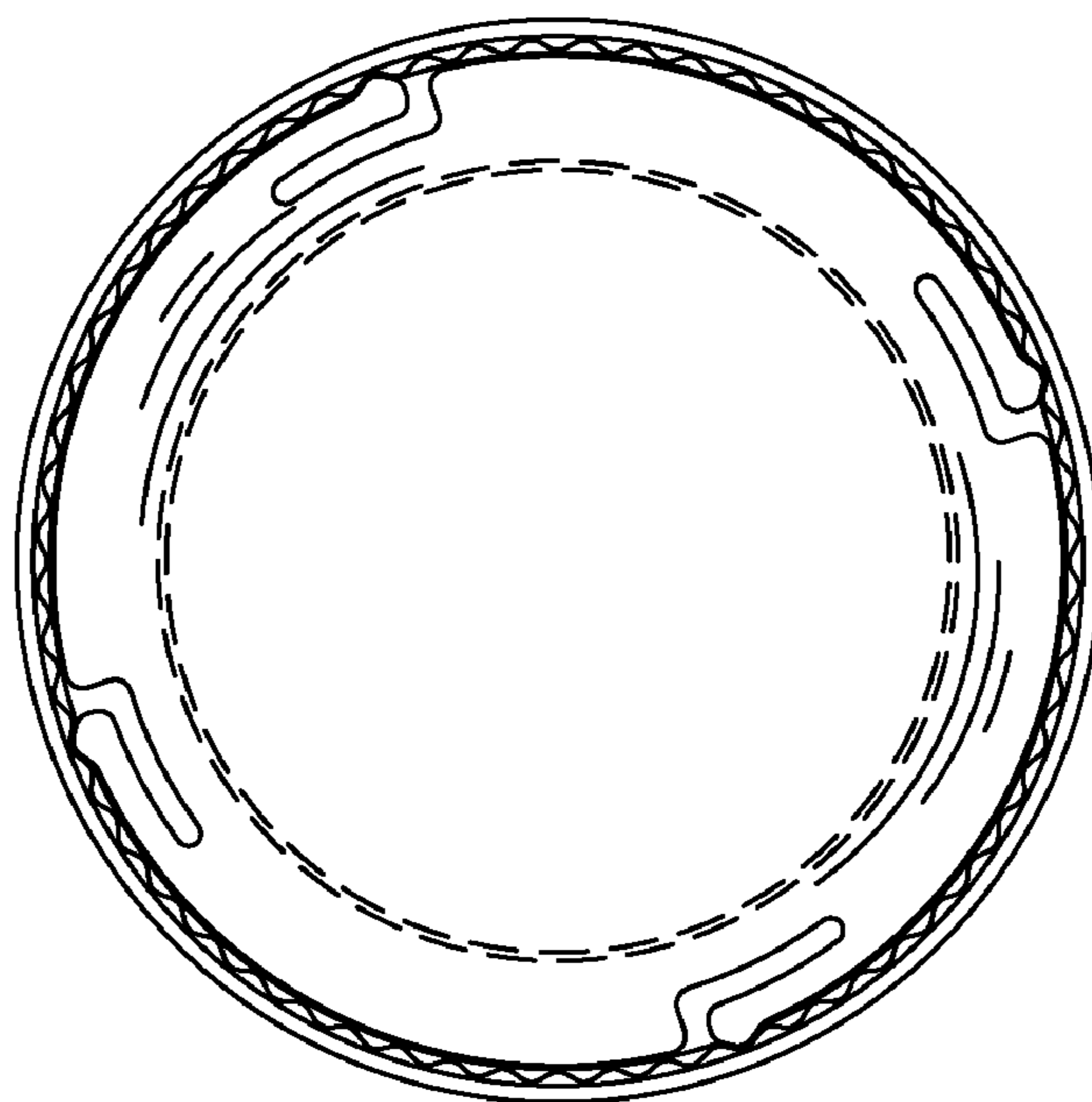


FIG. 8

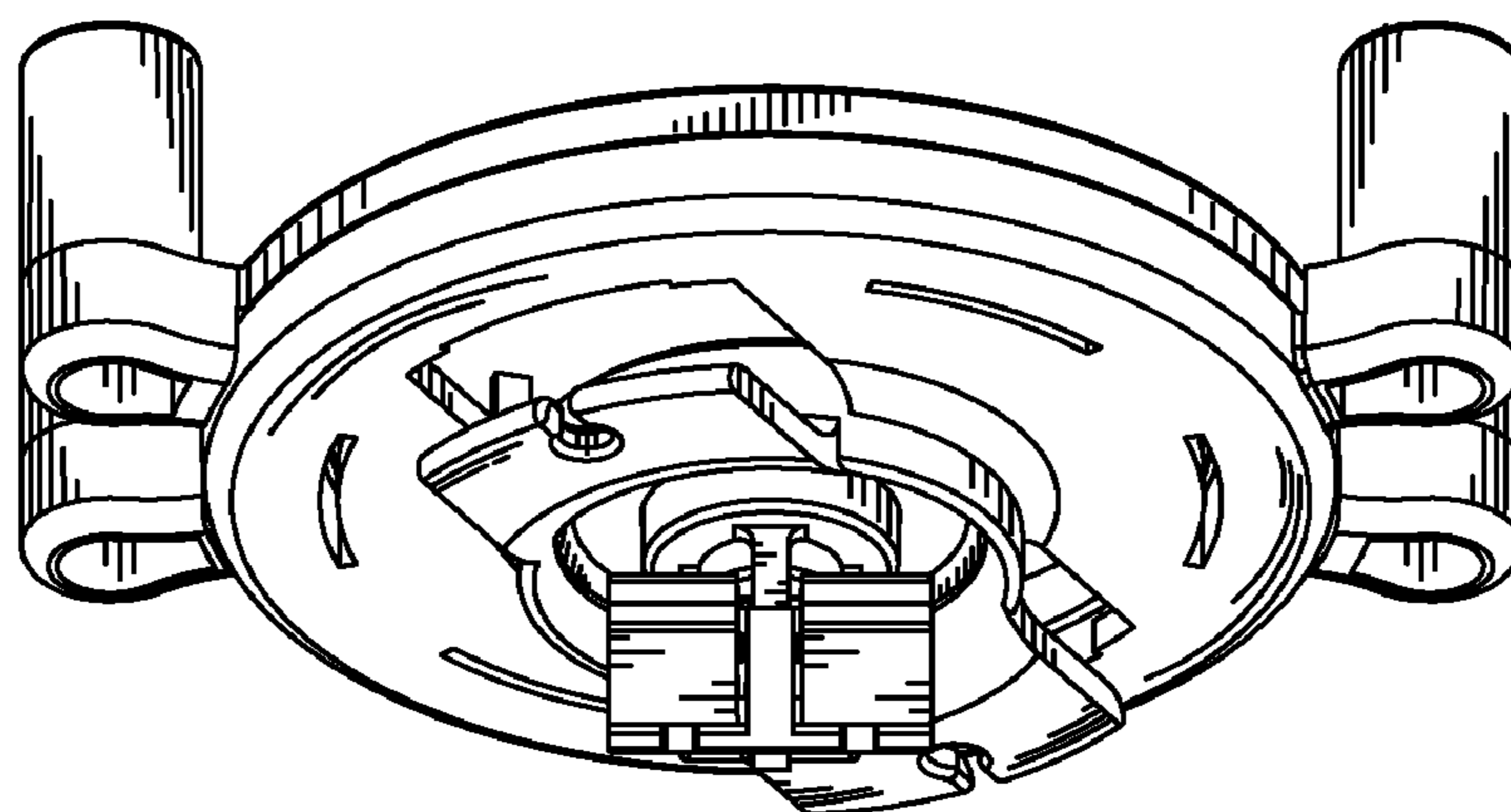


FIG. 9

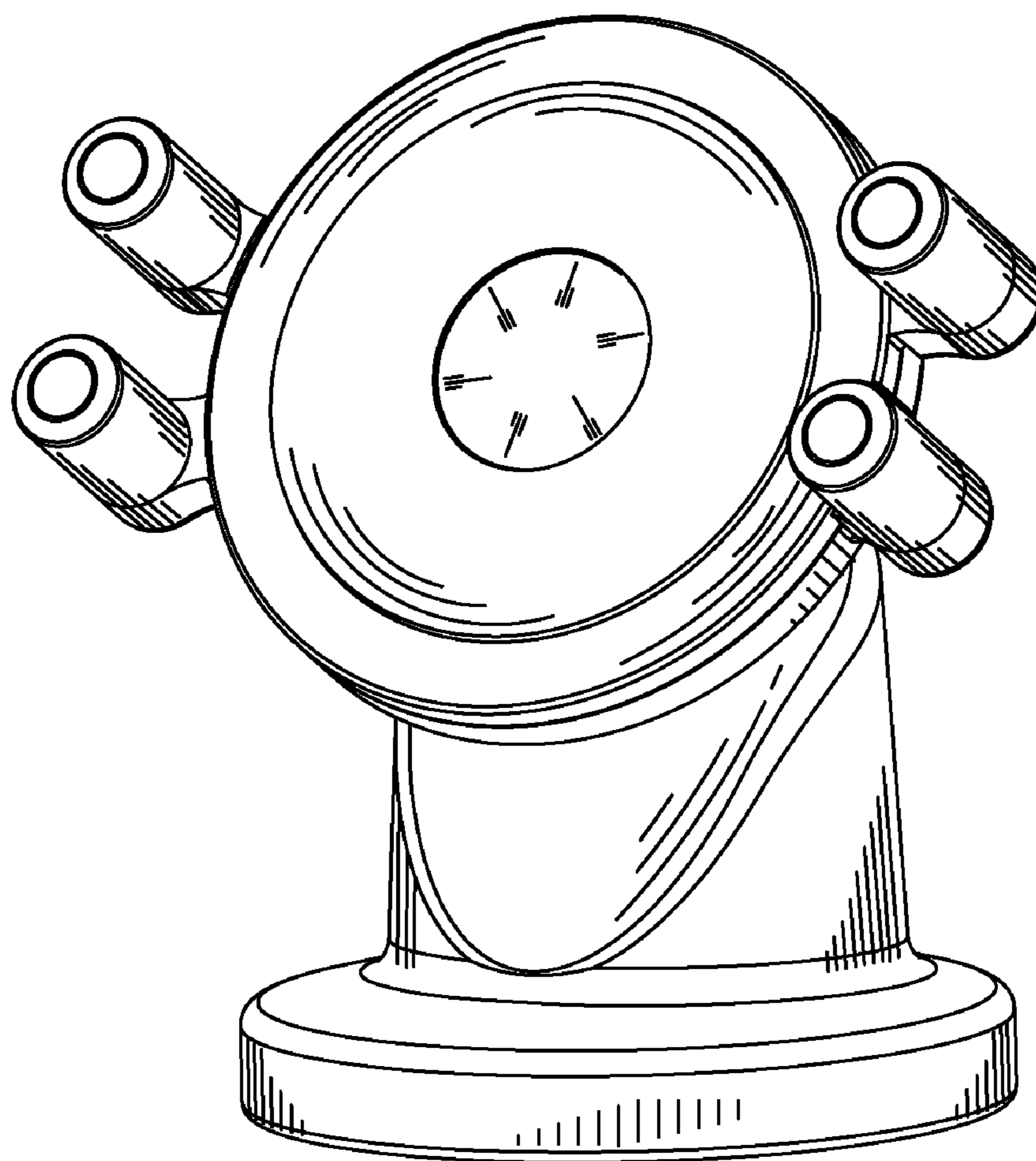


FIG. 10