

US00D570830S

(12) **United States Design Patent**
Sukeguchi et al.

(10) **Patent No.:** **US D570,830 S**

(45) **Date of Patent:** **** Jun. 10, 2008**

(54) **ADAPTER FOR DIGITAL AUDIO PLAYER**

(75) Inventors: **Satoshi Sukeguchi**, Musashino (JP);
Tetsuya Iguchi, Musashino (JP)

(73) Assignee: **Teac Corporation**, Musashino-Shi,
Tokyo (JP)

(**) Term: **14 Years**

(21) Appl. No.: **29/274,888**

(22) Filed: **Jun. 5, 2007**

(30) **Foreign Application Priority Data**

Dec. 12, 2006 (JP) 2006-034146

(51) **LOC (8) Cl.** **14-03**

(52) **U.S. Cl.** **D14/217; D14/155**

(58) **Field of Classification Search** D14/155,
D14/162, 167, 188, 217, 299, 356-358, 432-434,
D14/439, 496; D13/107, 108, 133; 307/150,
307/151; 439/540.1, 683; 455/91, 556.1,
455/556.2, 557

See application file for complete search history.

(56) **References Cited**

U.S. PATENT DOCUMENTS

6,626,704 B1 * 9/2003 Pikel 439/638

D482,657 S * 11/2003 Lai D13/146
D531,619 S * 11/2006 Chau D14/217
D531,991 S * 11/2006 Chau D14/217
D550,196 S * 9/2007 Griffin et al. D14/155
D560,166 S * 1/2008 Andre et al. D13/133

* cited by examiner

Primary Examiner—Stella M. Reid

Assistant Examiner—Keli L Acker

(74) *Attorney, Agent, or Firm*—Manabu Kanesaka

(57) **CLAIM**

The ornamental design for an adapter for digital audio player, as shown and described.

DESCRIPTION

FIG. 1 is a perspective view of an adapter for digital audio player showing our new design;

FIG. 2 is a top plan view thereof;

FIG. 3 is a front view thereof;

FIG. 4 is a bottom plan view thereof;

FIG. 5 is a rear view thereof;

FIG. 6 is a left side view thereof; and,

FIG. 7 is a right side view thereof.

1 Claim, 4 Drawing Sheets

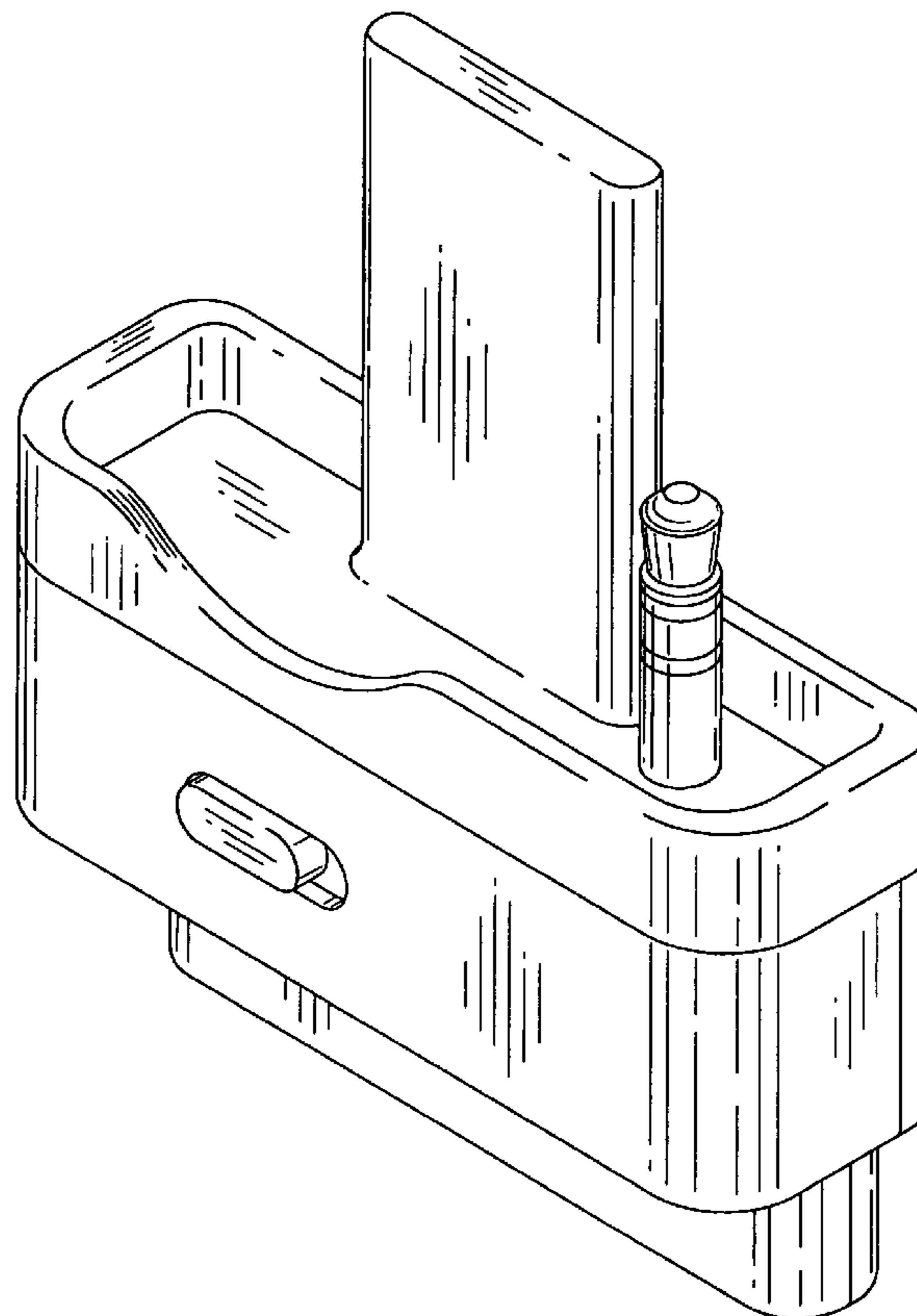


FIG. 1

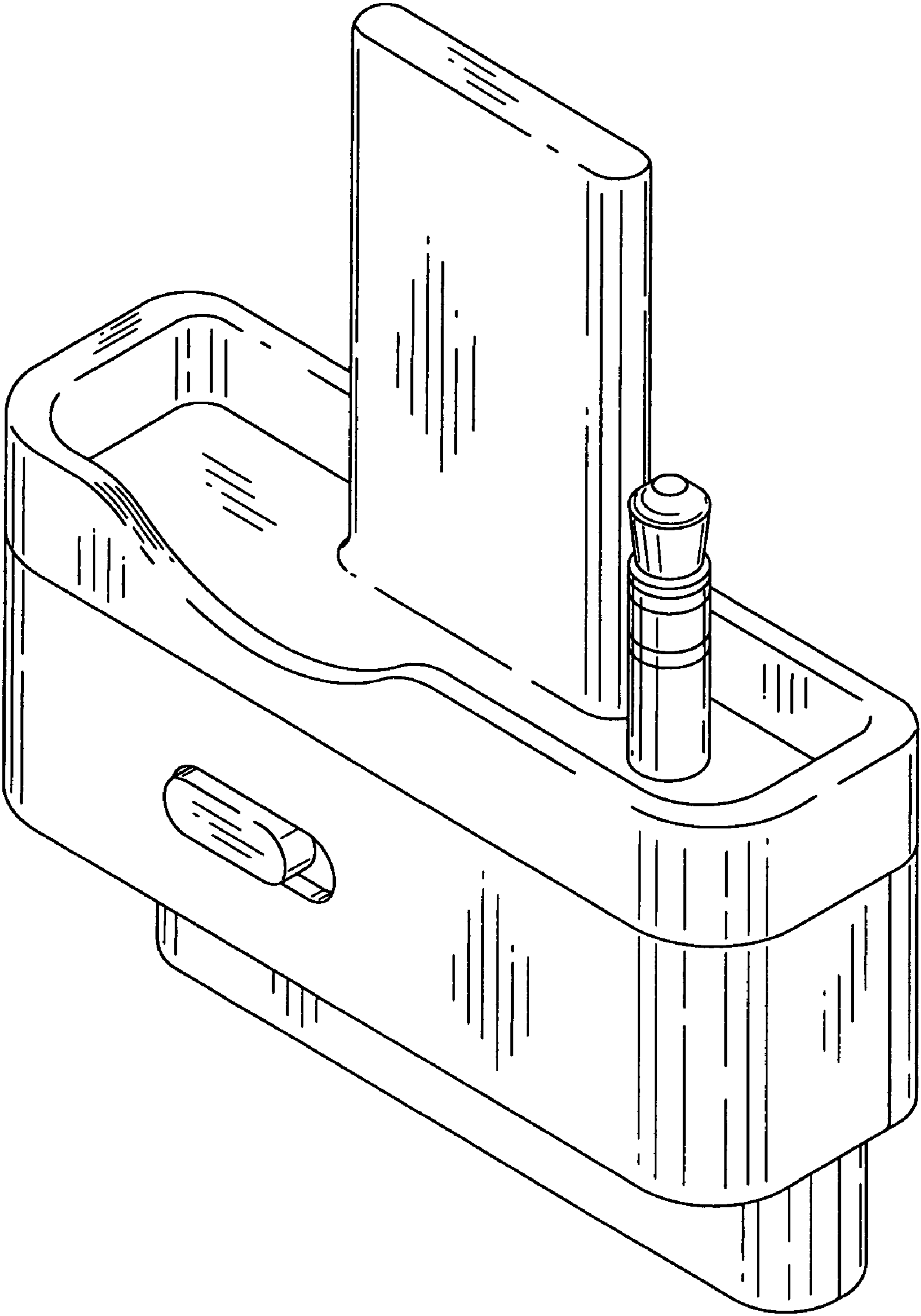


FIG. 2

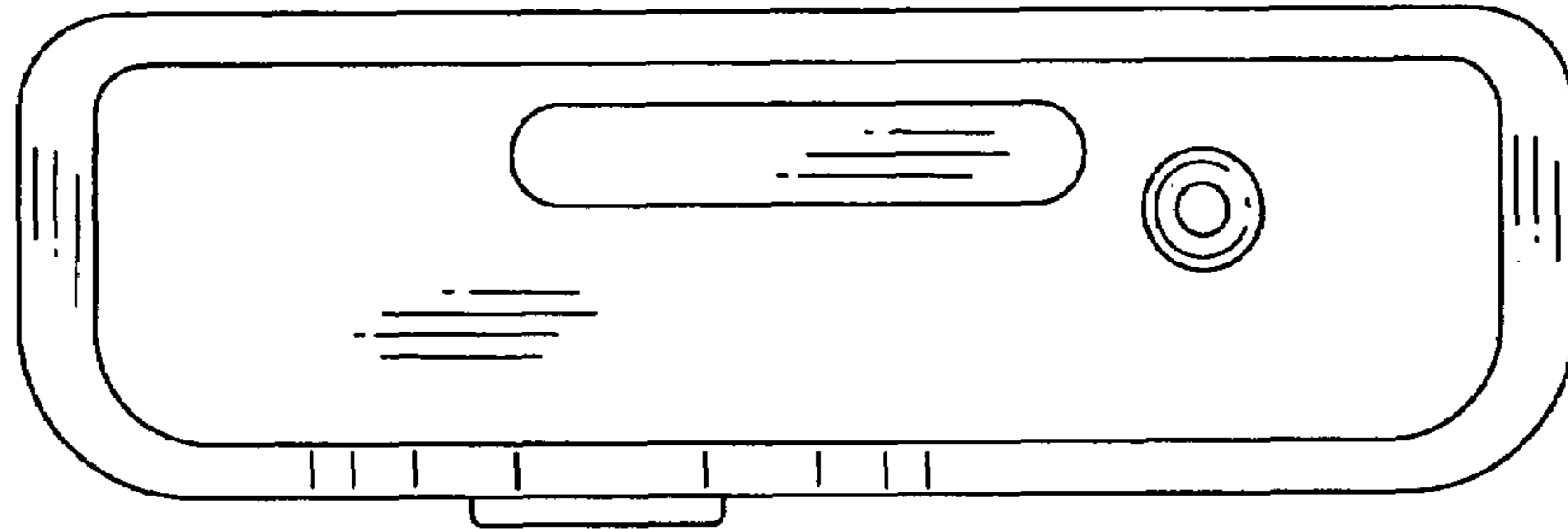


FIG. 3

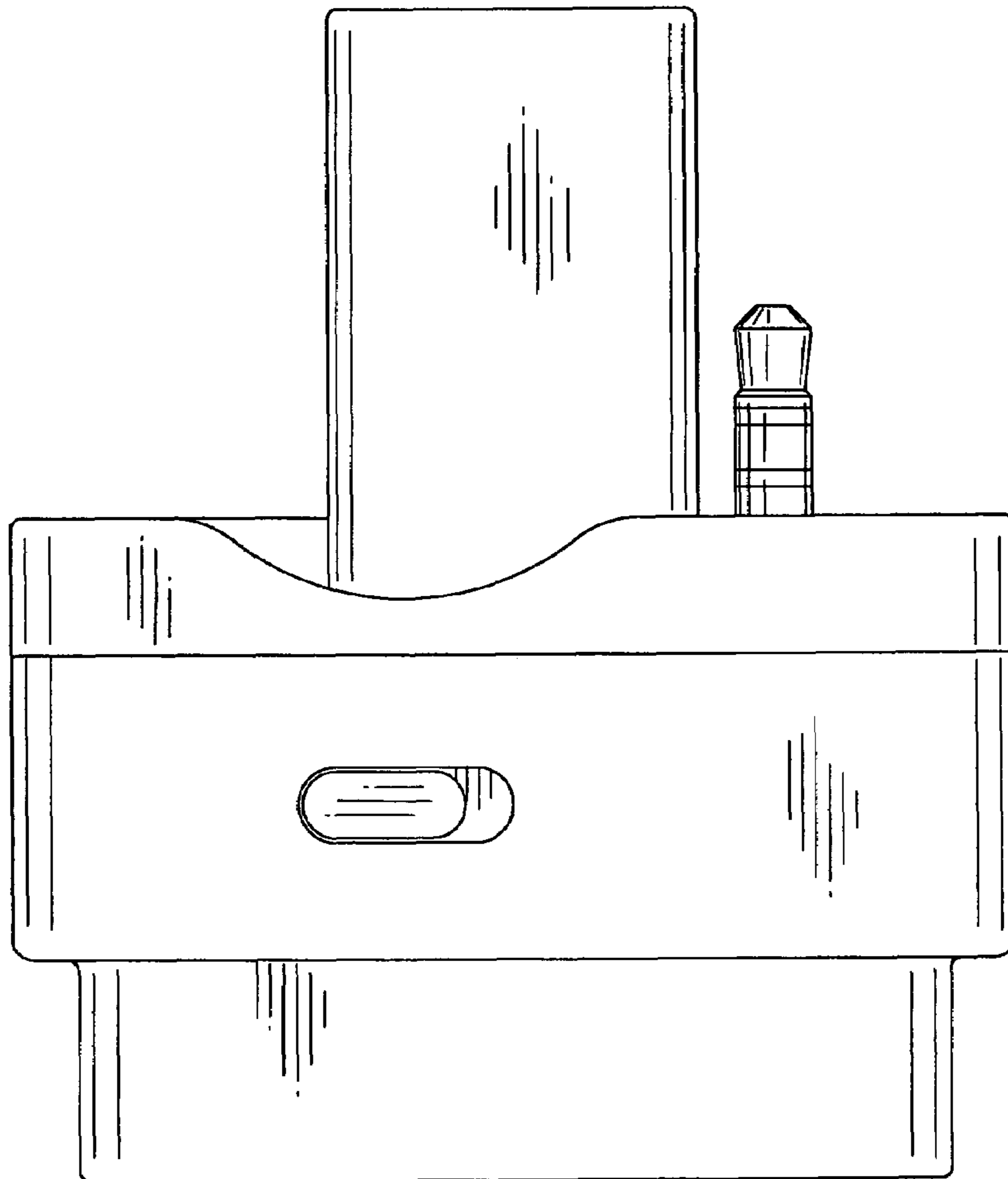


FIG. 4

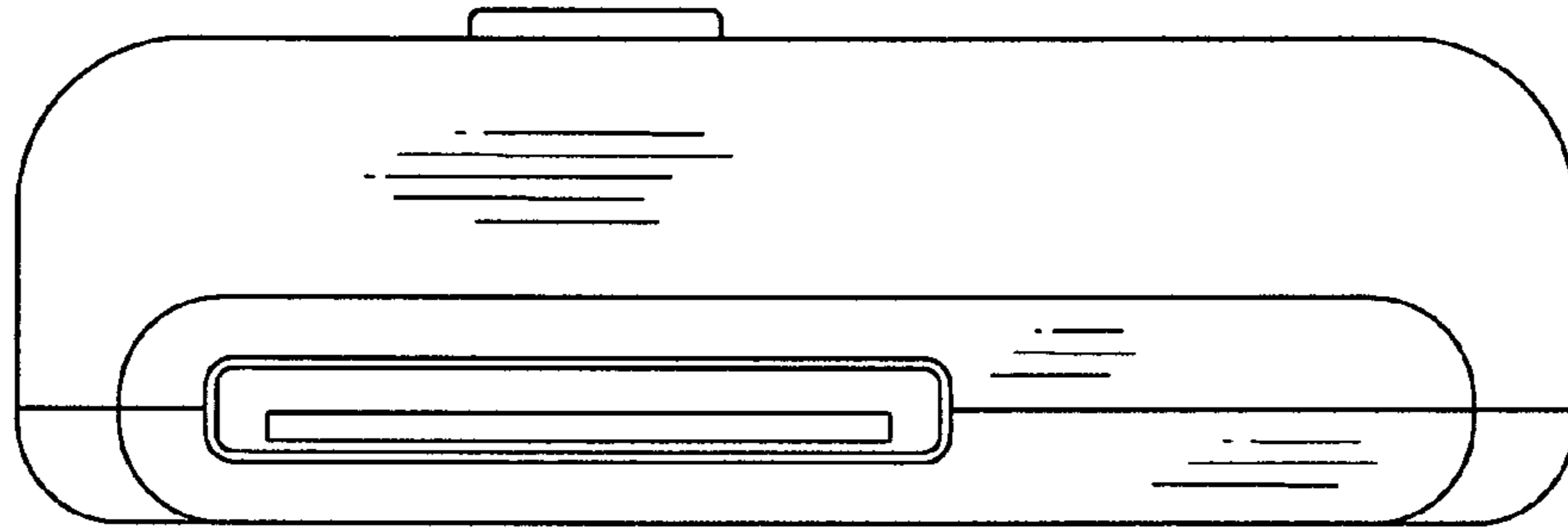


FIG. 5

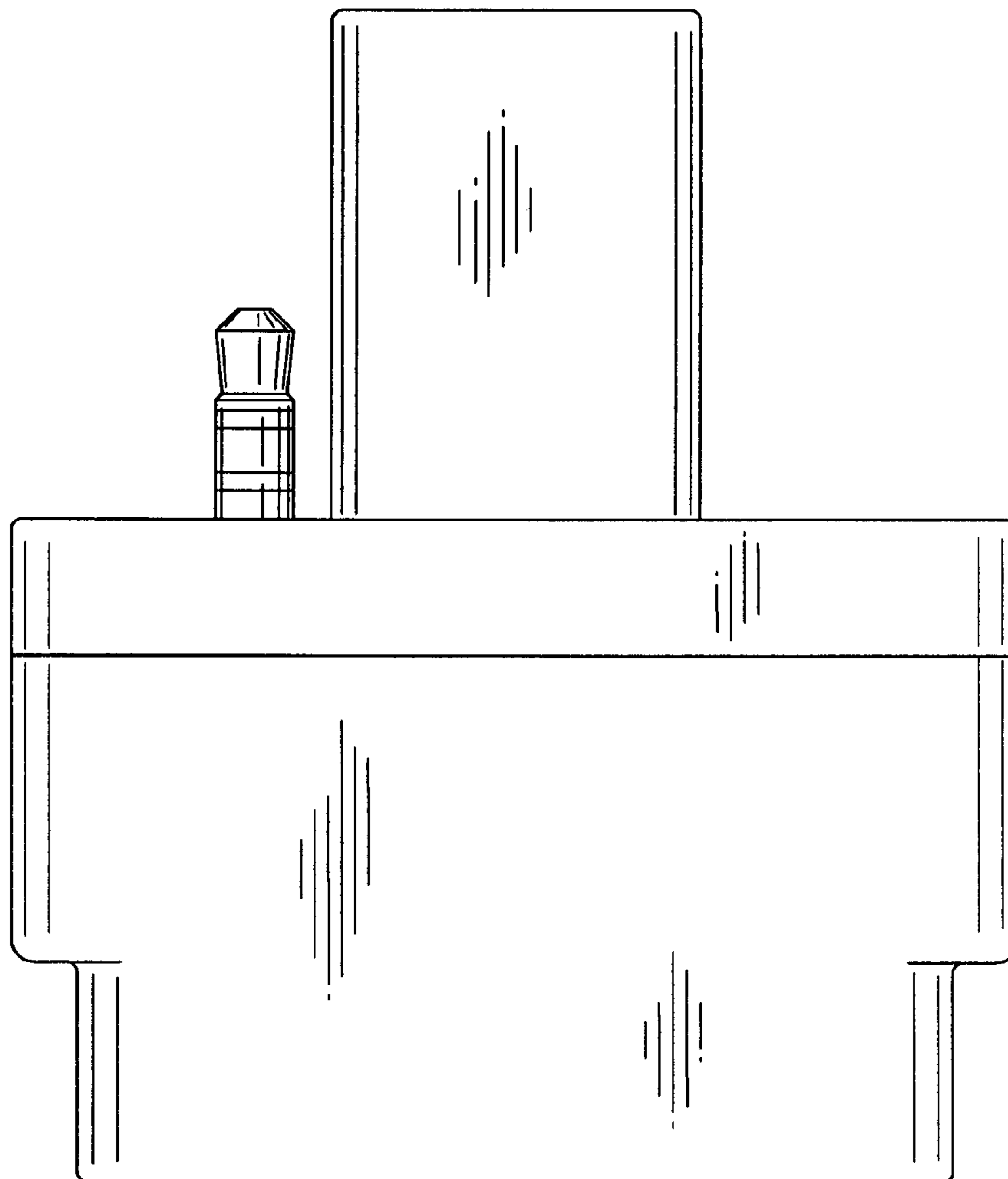


FIG. 6

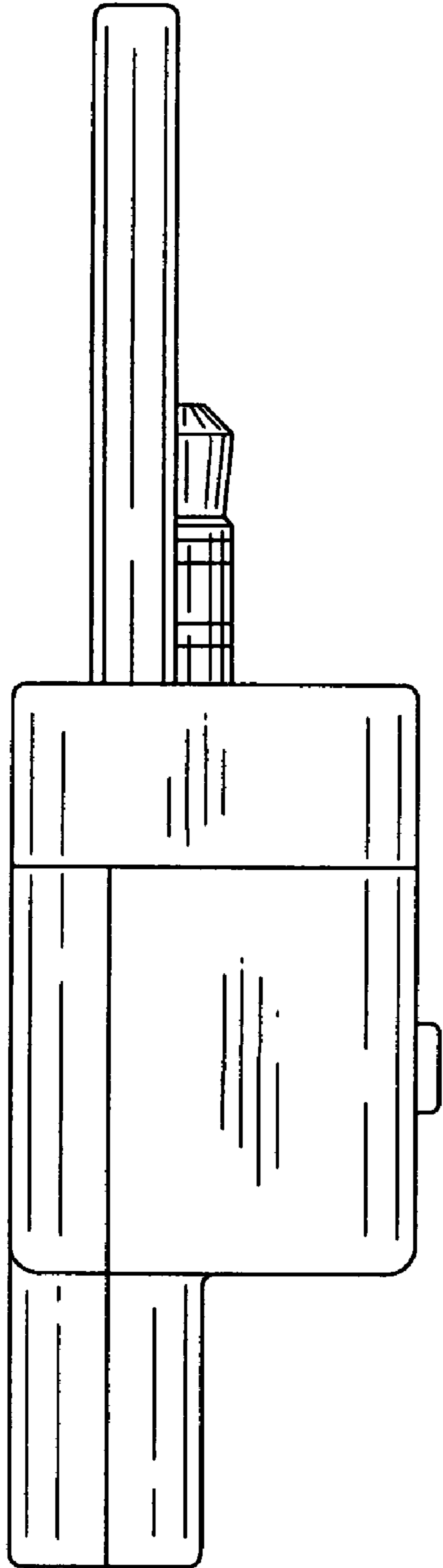


FIG. 7

