



US00D570828S

(12) **United States Design Patent**  
**Cho**

(10) **Patent No.:** **US D570,828 S**

(45) **Date of Patent:** **\*\* Jun. 10, 2008**

(54) **SPEAKER**

(75) Inventor: **Ju-Won Cho**, Seoul (KR)

(73) Assignee: **Samsung Electronics Co., Ltd.**,  
Suwon, Kyunggi-Do (KR)

(\*\*) Term: **14 Years**

(21) Appl. No.: **29/286,869**

(22) Filed: **May 21, 2007**

(51) **LOC (8) Cl.** ..... **14-01**

(52) **U.S. Cl.** ..... **D14/215**

(58) **Field of Classification Search** ..... D14/204,  
D14/207, 210–216, 172; 181/143–144, 147–148,  
181/150–153, 157, 198–199; 381/300–303,  
381/306, 332–333, 336, 345, 361–364, 386–388  
See application file for complete search history.

(56) **References Cited**

**U.S. PATENT DOCUMENTS**

D449,036 S \* 10/2001 Weikel et al. .... D14/215  
D531,617 S \* 11/2006 Rozier ..... D14/215  
D533,541 S \* 12/2006 Motoishi ..... D14/215

**OTHER PUBLICATIONS**

U.S. Appl. No. 29/258,373, Applicant: Jae-Hyung Kim, filed Apr.  
20, 2006 entitled Speaker for Home Theater.

U.S. Appl. No. 29/286,867, Applicant: Ju-Won Cho, filed May 21,  
2007 entitled Speaker.

\* cited by examiner

*Primary Examiner*—Nanda Bondade

(74) *Attorney, Agent, or Firm*—Flynn, Thiel, Boutell &  
Tanis, P.C.

(57) **CLAIM**

The ornamental design for a speaker, as shown and  
described.

**DESCRIPTION**

FIG. 1 is a top front perspective view of speaker showing my  
new design;

FIG. 2 is a front elevational view thereof;

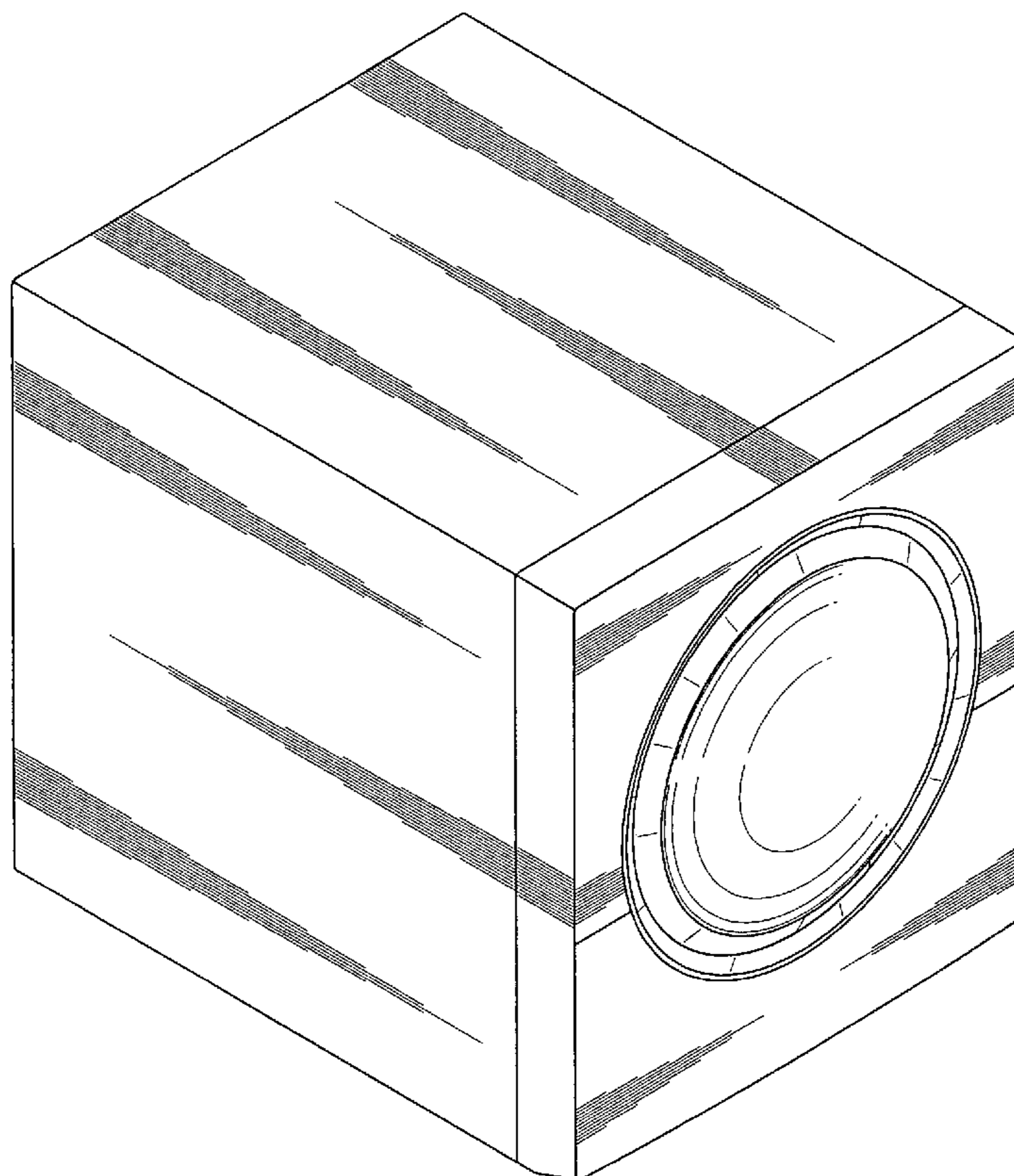
FIG. 3 is a rear elevational view thereof;

FIG. 4 is a left side elevational view, the right side being  
symmetrical thereof;

FIG. 5 is a top plan view thereof; and,

FIG. 6 is a bottom plan view thereof.

**1 Claim, 4 Drawing Sheets**



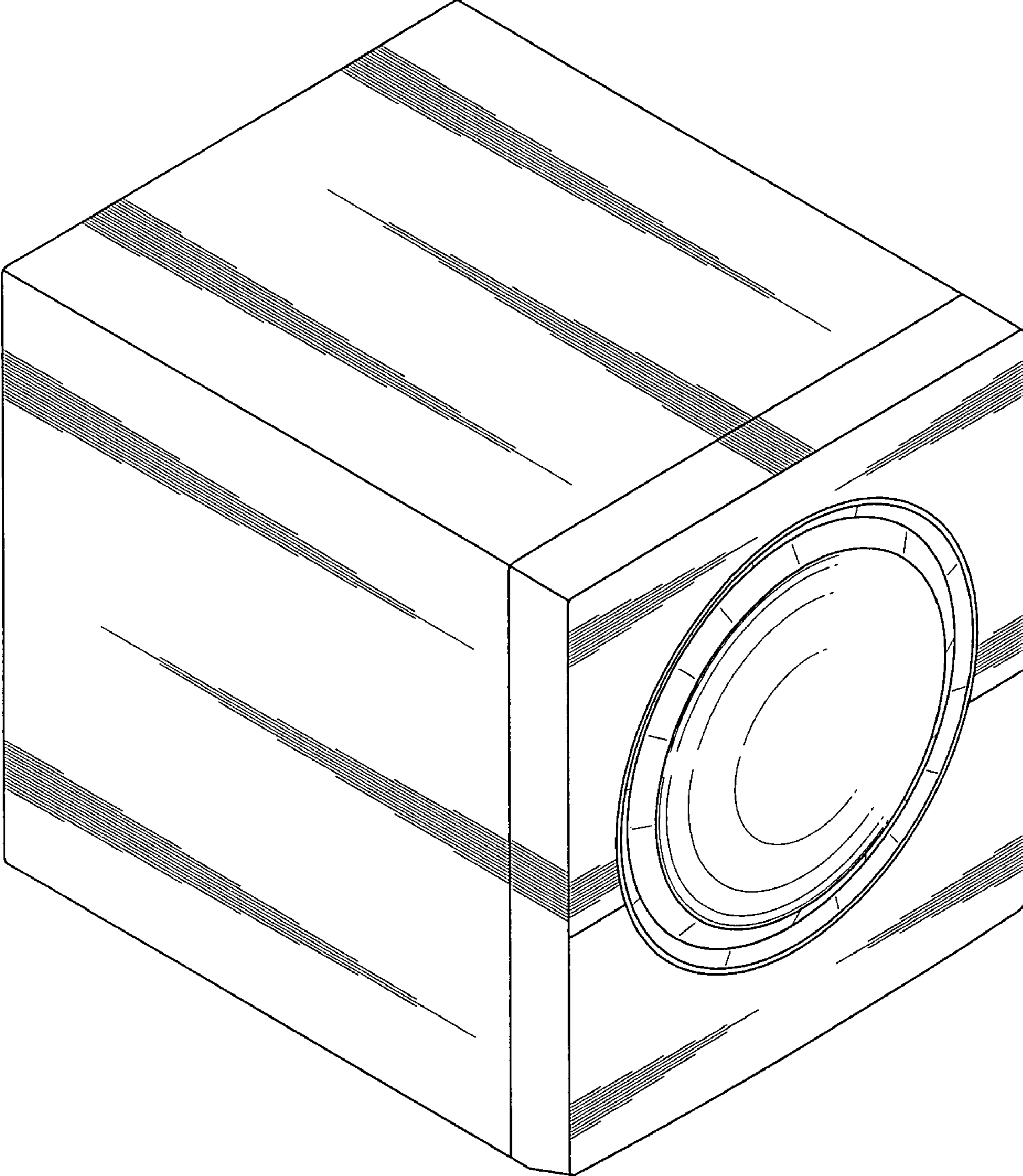


FIG. 1

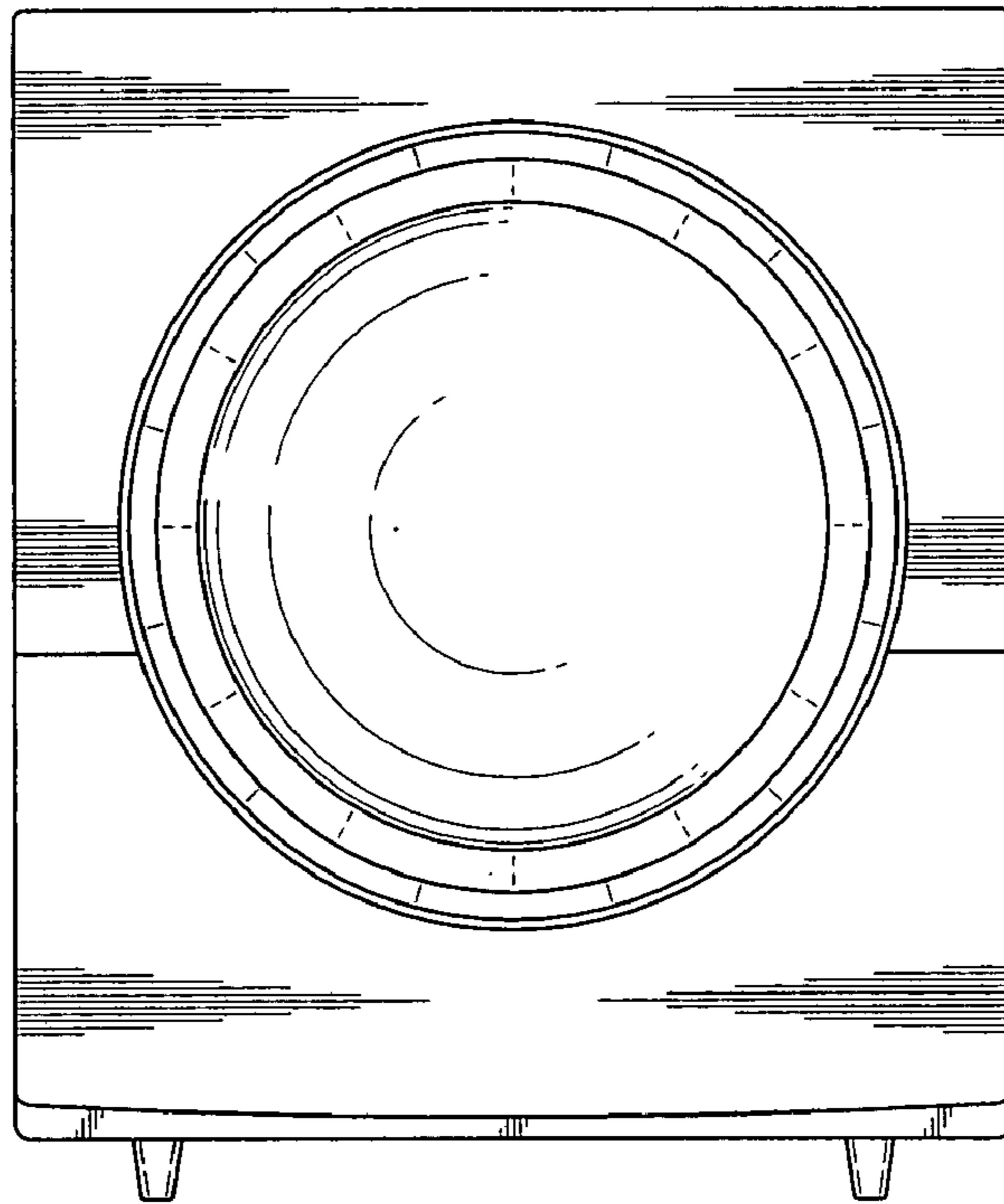


FIG. 2

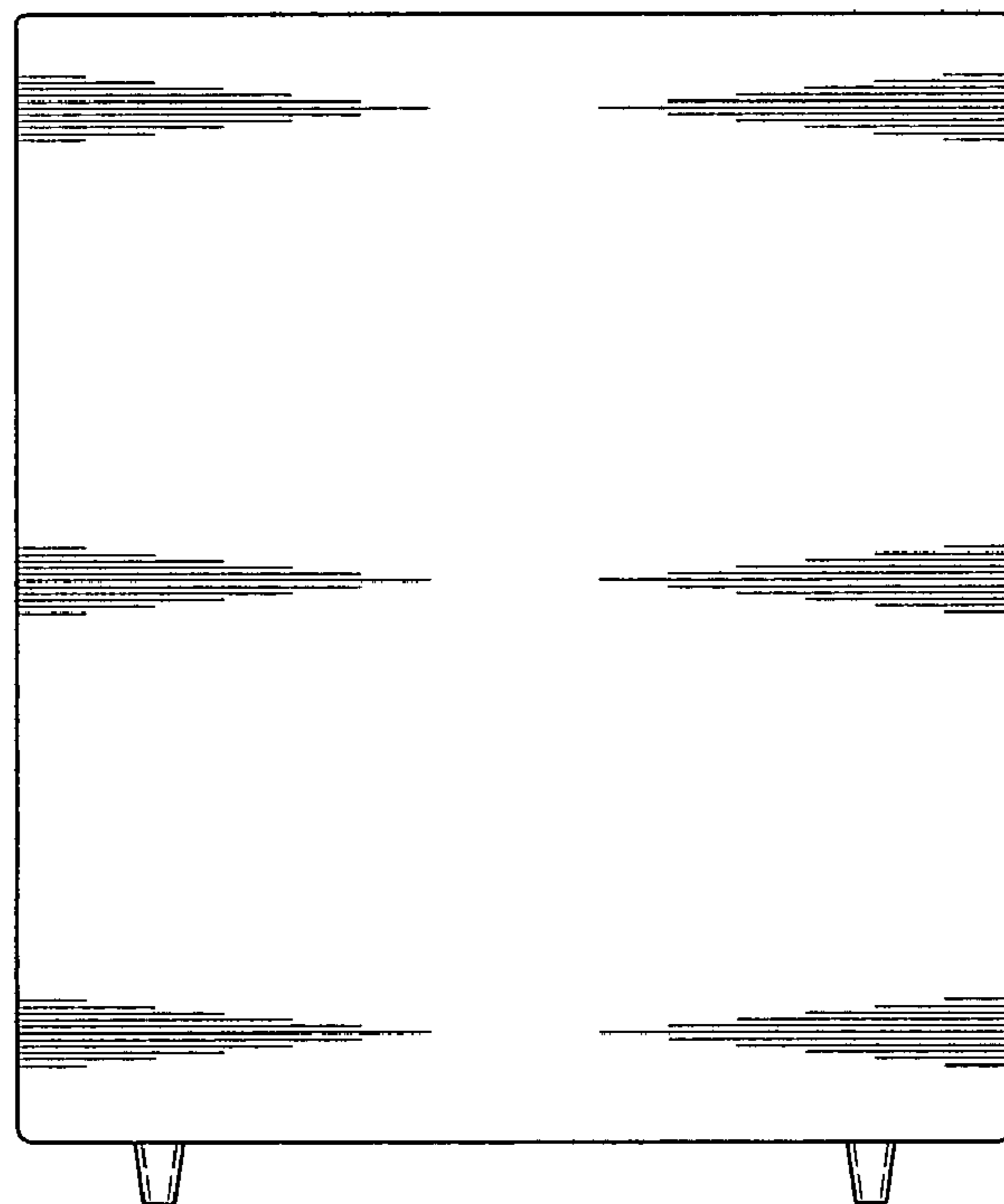


FIG. 3

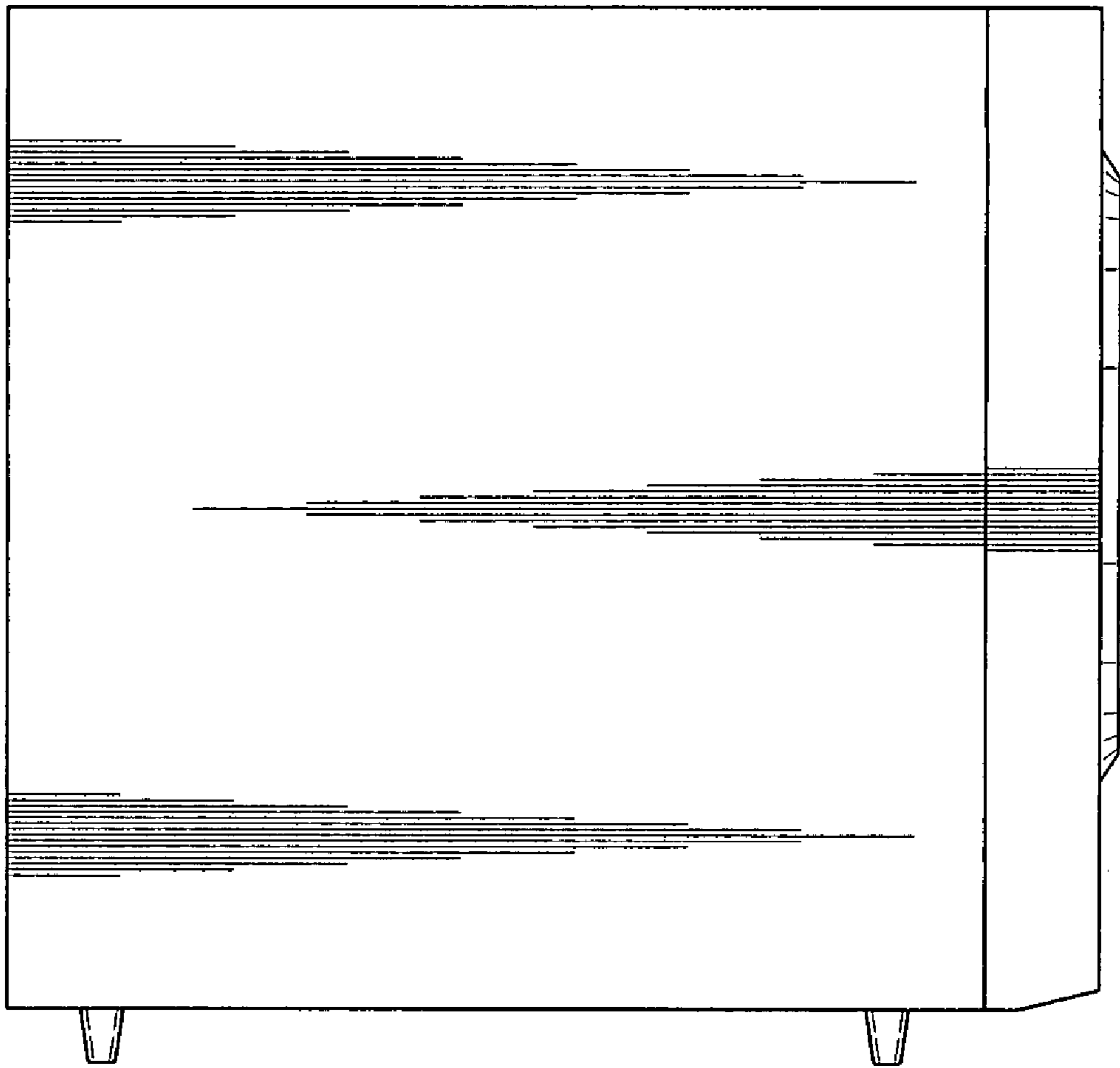


FIG. 4

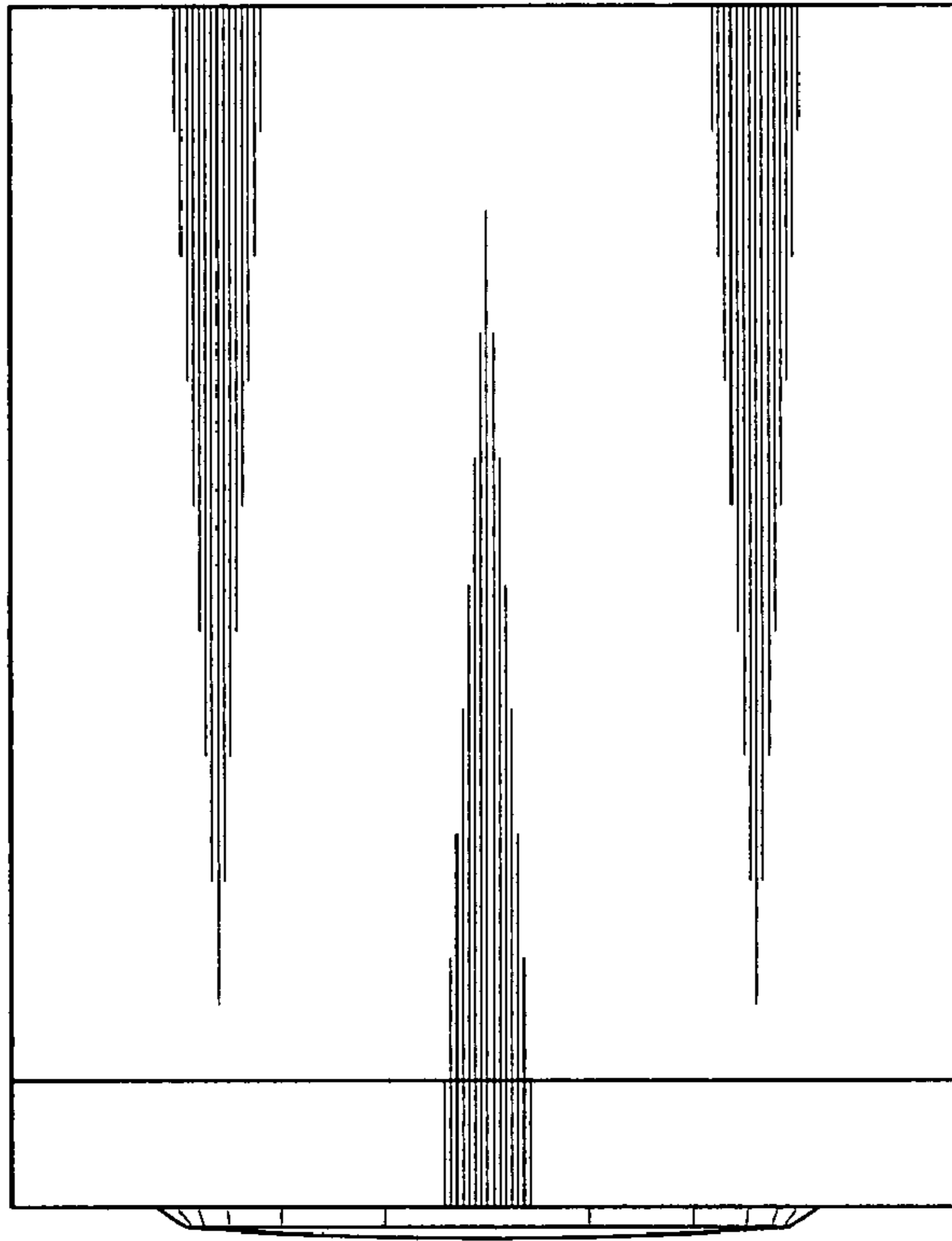


FIG. 5

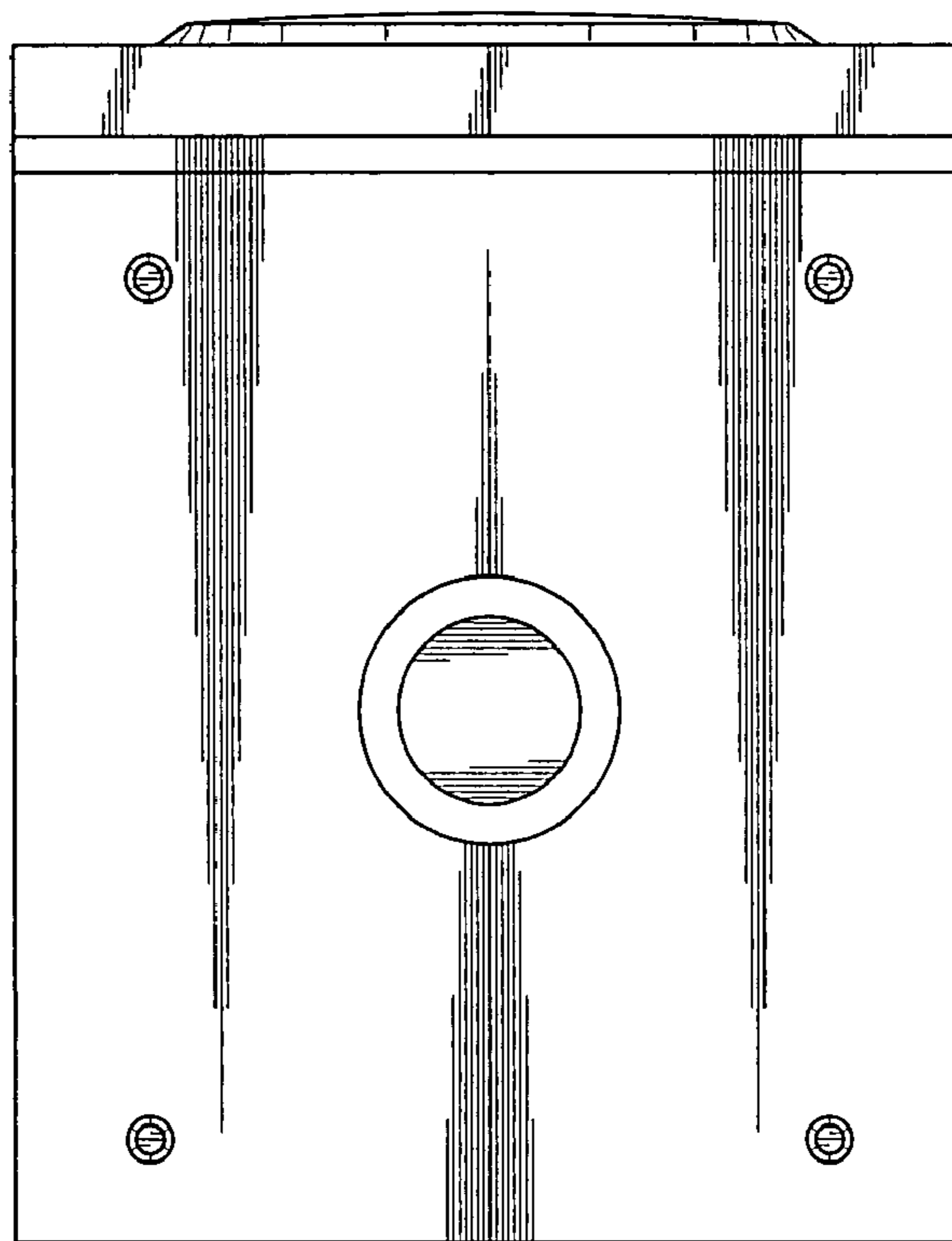


FIG. 6