

US00D570827S

(12) **United States Design Patent**
Azumi

(10) **Patent No.:** **US D570,827 S**
(45) **Date of Patent:** **** Jun. 10, 2008**

(54) **SPEAKER**

D381,335 S * 7/1997 Whitehead D14/204
D521,981 S * 5/2006 Sogabe D14/214

(75) Inventor: **Shin Azumi**, London (GB)

(73) Assignee: **TOA Corporation**, Kobe-shi (JP)

(**) Term: **14 Years**

(21) Appl. No.: **29/286,581**

(22) Filed: **May 10, 2007**

(30) **Foreign Application Priority Data**

Nov. 13, 2006 (JP) 2006-031041

(51) **LOC (8) Cl.** **14-01**

(52) **U.S. Cl.** **D14/214**

(58) **Field of Classification Search** D14/204,
D14/207, 210–216, 172; 181/143–144, 147–148,
181/150–153, 157, 198–199; 381/300–303,
381/306, 332–333, 336, 345, 361–364, 386–388
See application file for complete search history.

(56) **References Cited**

U.S. PATENT DOCUMENTS

4,805,730 A * 2/1989 O'Neill et al. 181/148
4,809,089 A * 2/1989 Richie 386/96
D315,736 S * 3/1991 Takagi D14/172

* cited by examiner

Primary Examiner—Nanda Bondade

(74) *Attorney, Agent, or Firm*—Allen Hall McCoy Russell
& Tuttle LLP

(57) **CLAIM**

The ornamental design for a speaker, as shown and described.

DESCRIPTION

FIG. 1 is a front perspective view of a design for a speaker, according to the invention.

FIG. 2 is a rear perspective view of the speaker of FIG. 1.

FIG. 3 is a front view of the speaker of FIG. 1.

FIG. 4 is a rear view of the speaker of FIG. 1.

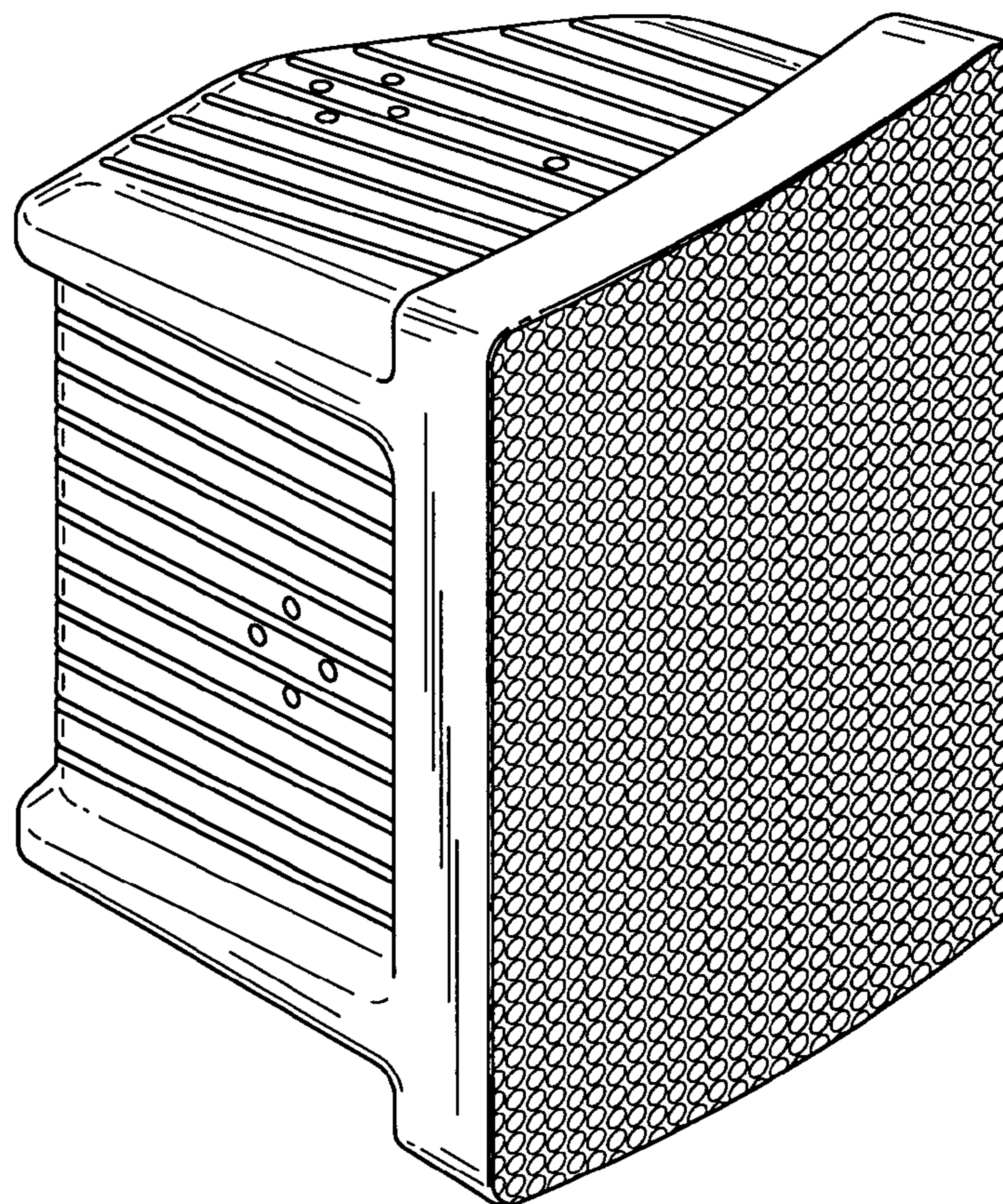
FIG. 5 is a top view of the speaker of FIG. 1.

FIG. 6 is a bottom view of the speaker of FIG. 1.

FIG. 7 is a left side view of the speaker of FIG. 1; and,

FIG. 8 is a right side view of the speaker of FIG. 1.

1 Claim, 4 Drawing Sheets



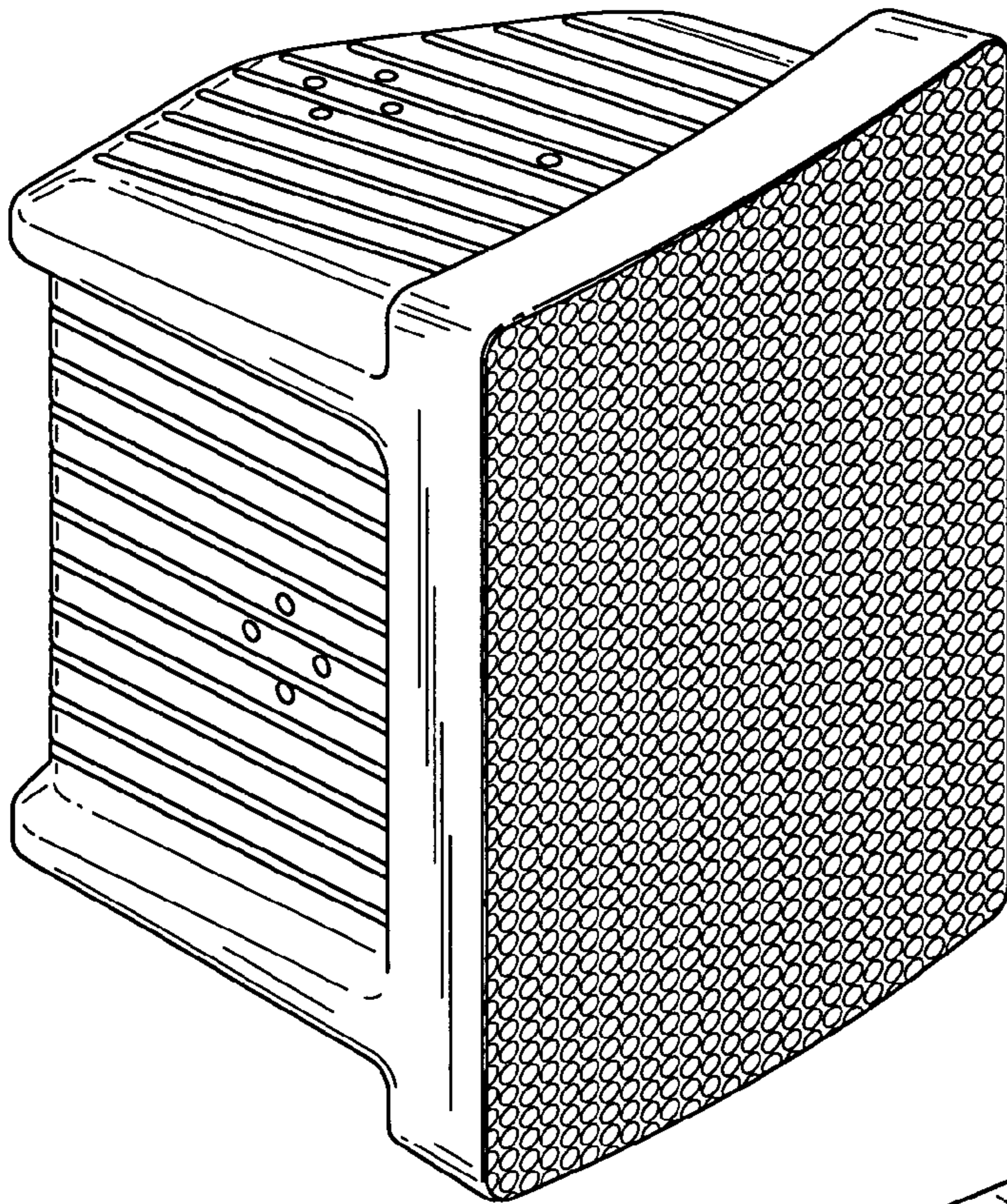


FIG. 1

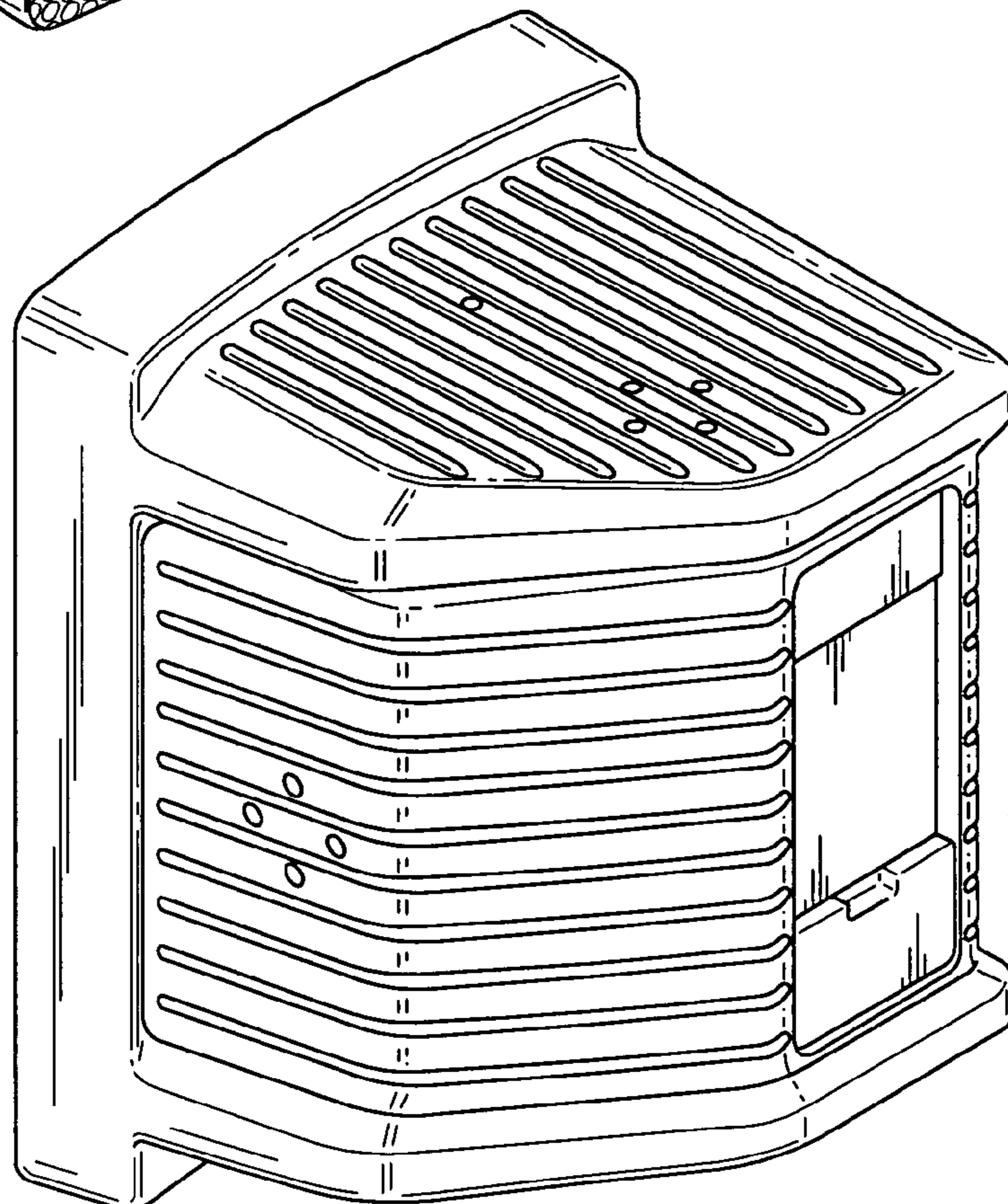


FIG. 2

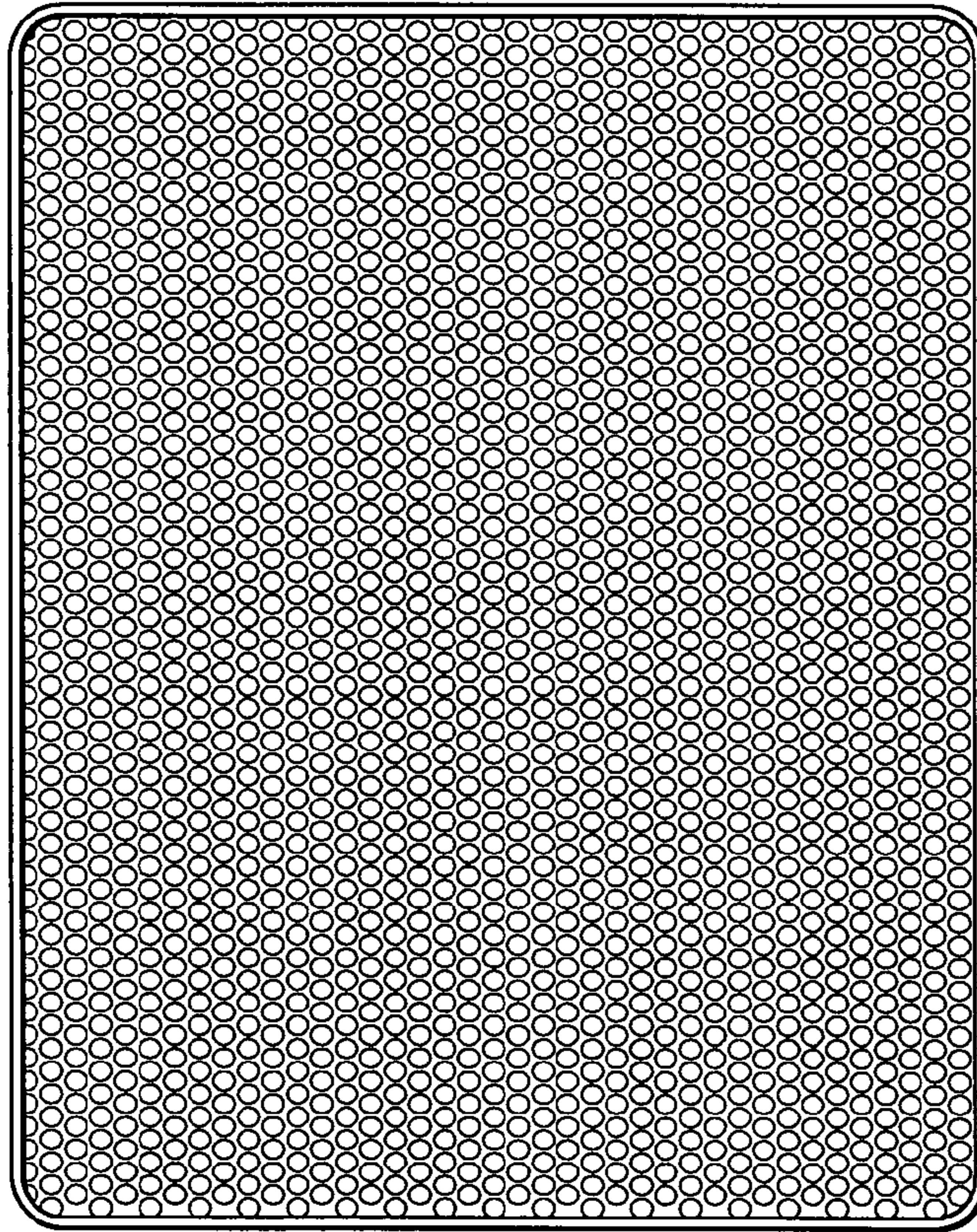


FIG. 3

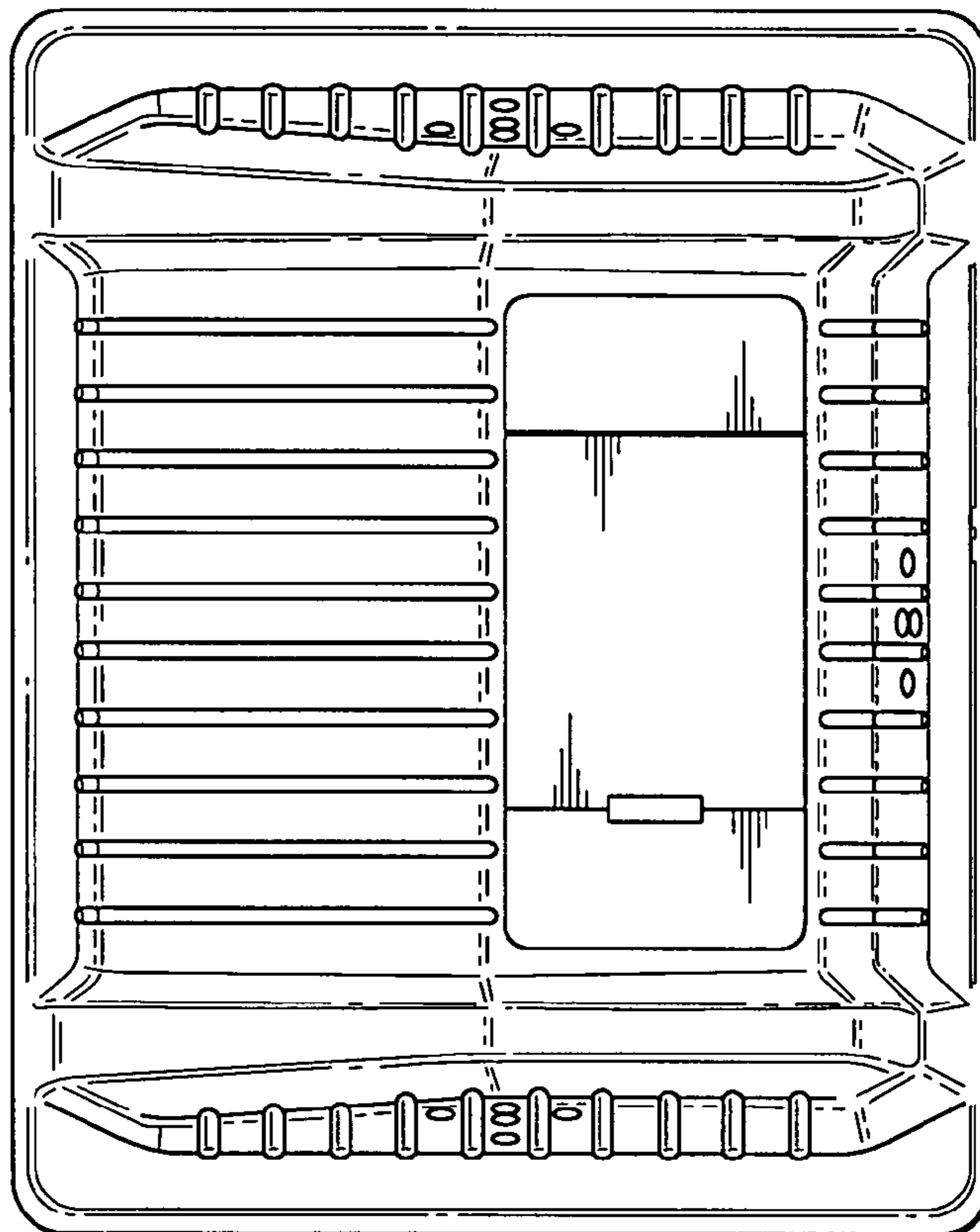


FIG. 4

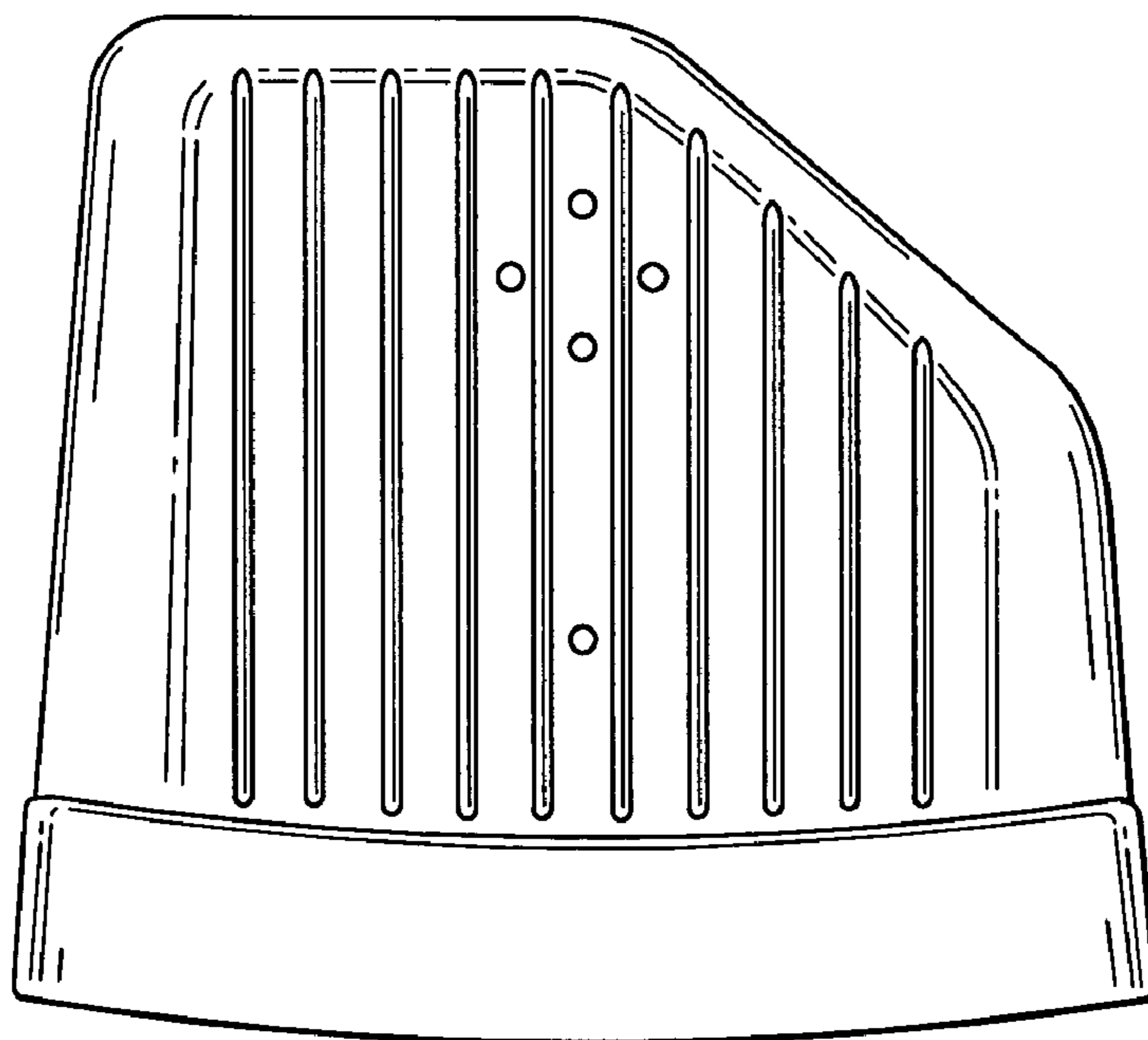


FIG. 5

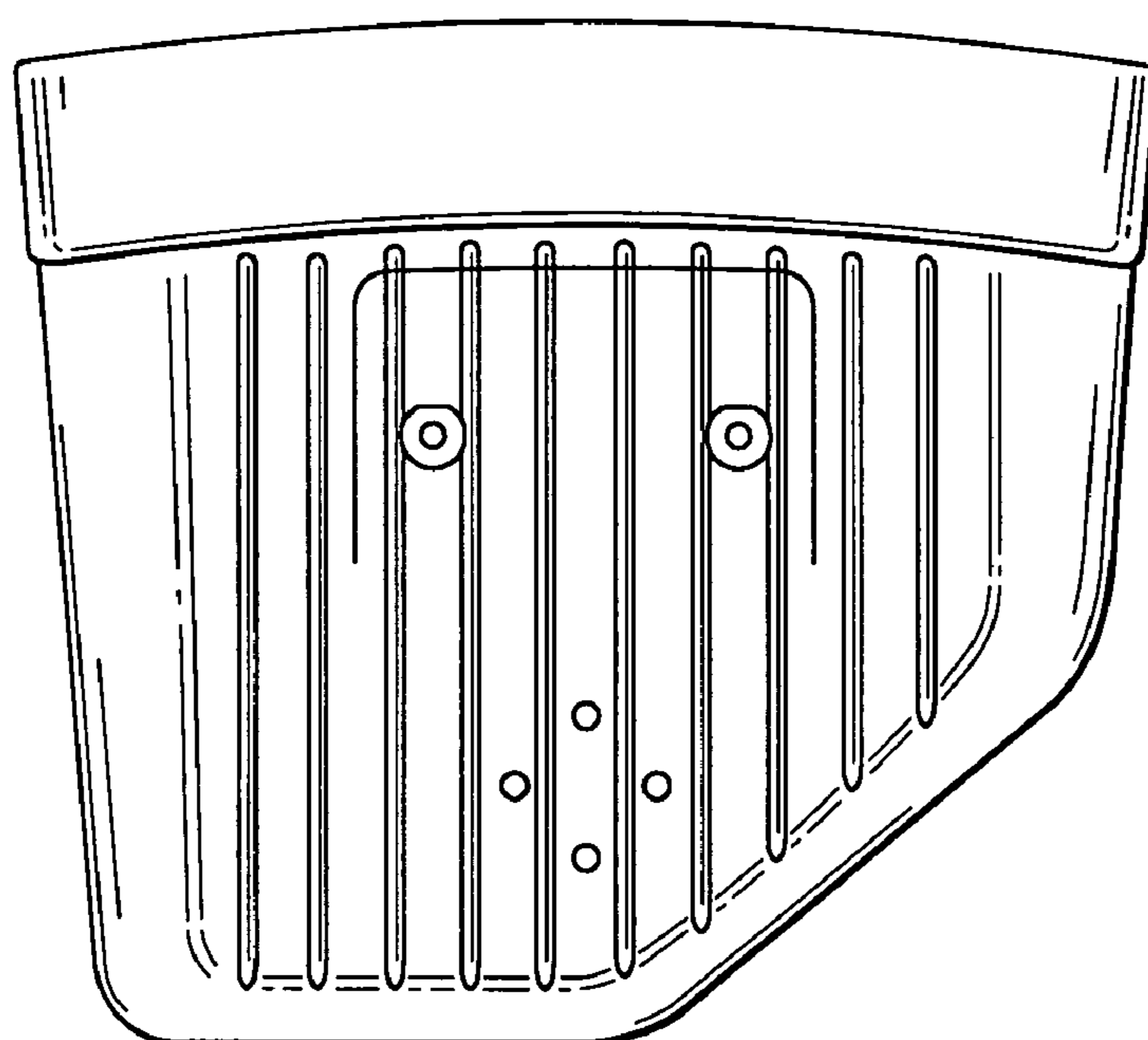


FIG. 6

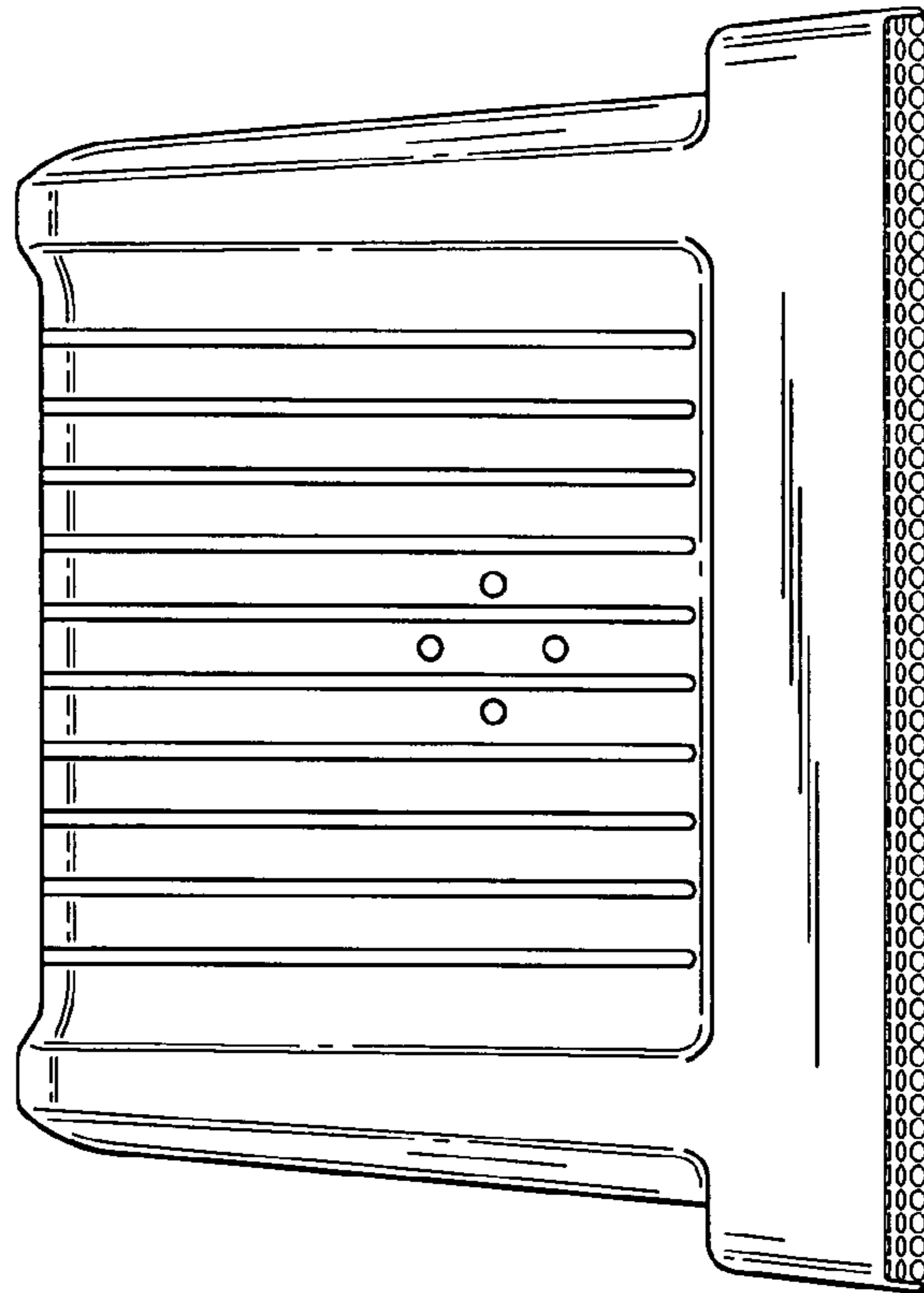


FIG. 7

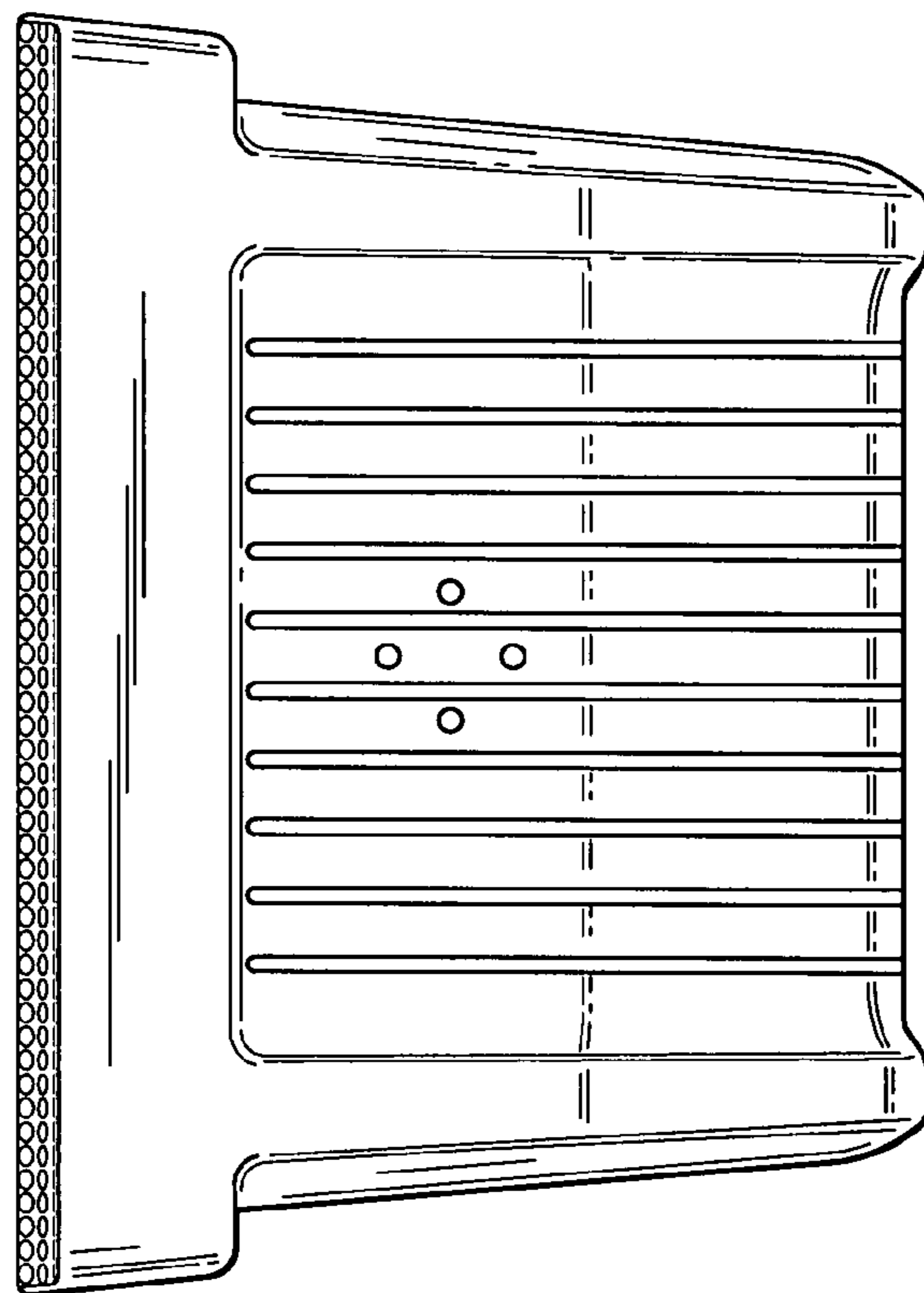


FIG. 8