



US00D570825S

(12) **United States Design Patent**  
**Schultz et al.**

(10) **Patent No.:** **US D570,825 S**  
(45) **Date of Patent:** **\*\* Jun. 10, 2008**

(54) **HEADPHONES**

(75) Inventors: **Gary Schultz**, Andover, NJ (US); **Eric Ping Pang Chan**, New York, NY (US); **Shigeru Natsume**, Brooklyn, NY (US); **Bernard San Lap Lo**, North York (CA)

(73) Assignee: **Altec Lansing, a division of Plantronics, Inc.**, Milford, PA (US)

(\*\*) Term: **14 Years**

(21) Appl. No.: **29/280,059**

(22) Filed: **May 15, 2007**

(51) **LOC (8) Cl.** ..... **14-01**

(52) **U.S. Cl.** ..... **D14/205**

(58) **Field of Classification Search** ..... D14/205, D14/206, 223, 225, 226, 253; D29/112; 2/209; 379/430, 433.01, 433.02, 433.06; 381/376, 377, 379, 380, 381, 383, 370, 371, 381/375, 309, 311; 128/866; 181/129-130  
See application file for complete search history.

(56) **References Cited**

**U.S. PATENT DOCUMENTS**

2,149,341 A \* 3/1939 Harrison ..... 381/379  
D203,677 S \* 2/1966 Spilman et al. .... D14/205  
3,588,384 A \* 6/1971 Negley ..... 381/375

4,571,746 A \* 2/1986 Gorike ..... 2/209  
4,597,469 A \* 7/1986 Nagashima ..... 181/129  
4,689,822 A \* 8/1987 Houng ..... 381/379  
D310,081 S \* 8/1990 Daido et al. .... D14/205  
D338,010 S \* 8/1993 Yamatogi ..... D14/205  
5,406,037 A \* 4/1995 Nageno et al. .... 181/129  
D539,267 S \* 3/2007 Komiyama ..... D14/205

\* cited by examiner

*Primary Examiner*—Paula A Greene

(74) *Attorney, Agent, or Firm*—Greenberg Traurig, LLP; Richard E. Kurtz

(57) **CLAIM**

The ornamental design for headphones, as shown and described.

**DESCRIPTION**

FIG. 1 is a perspective view of headphones showing the present design;

FIG. 2 is a front elevation view thereof;

FIG. 3 is a rear elevation view thereof;

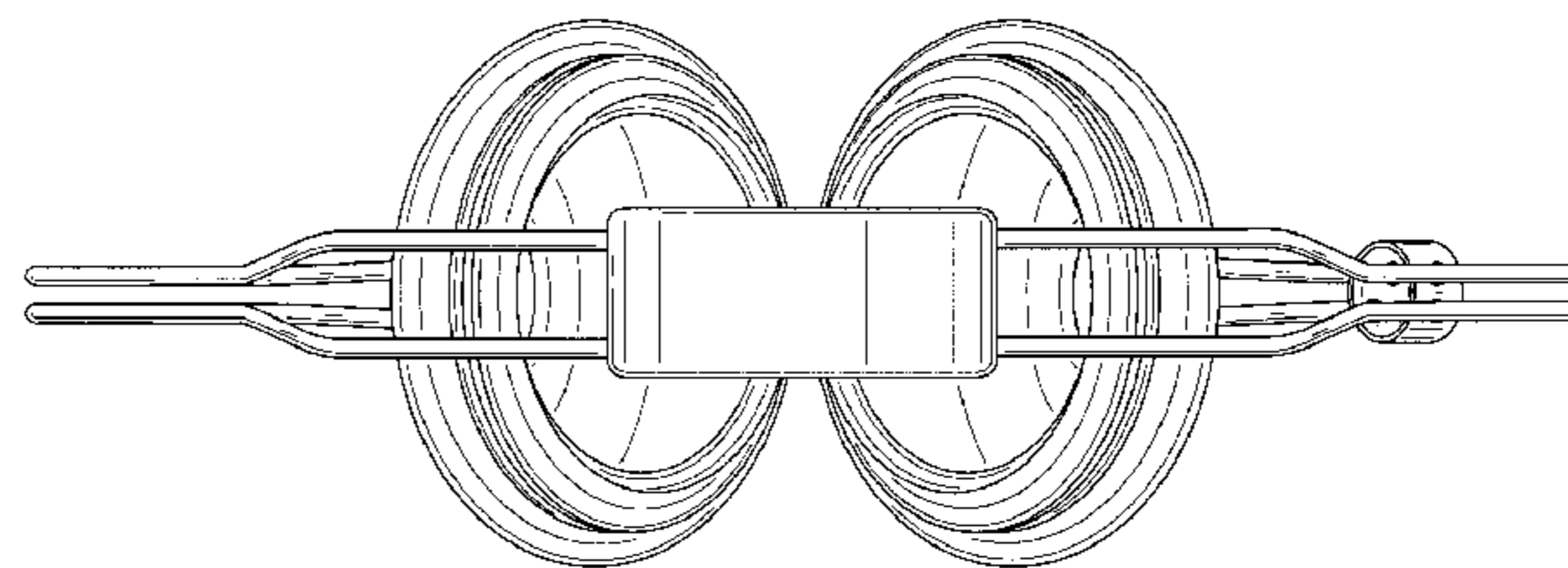
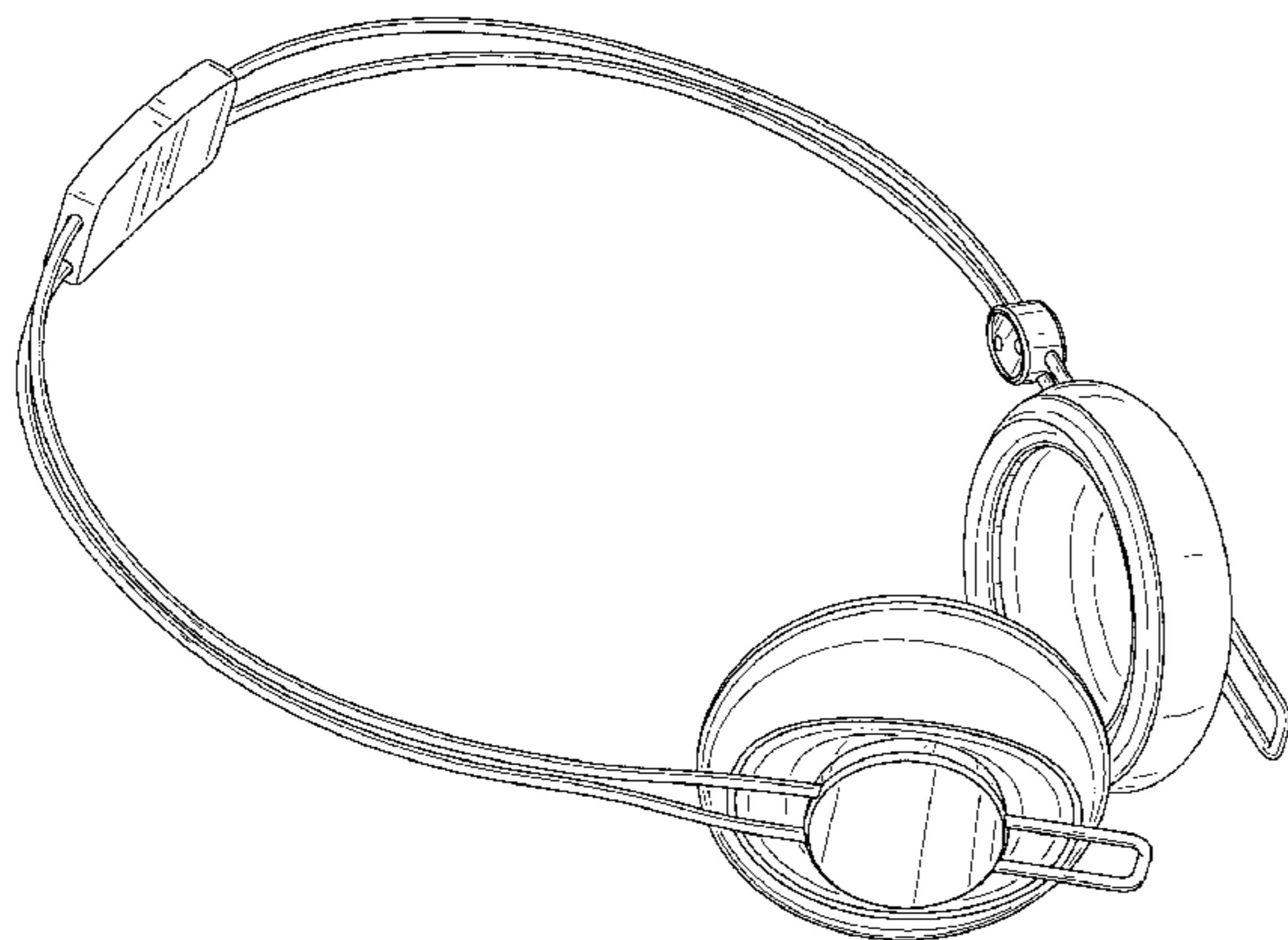
FIG. 4 is a left elevation view thereof;

FIG. 5 is a right elevation view thereof;

FIG. 6 is a top view thereof; and,

FIG. 7 is a bottom view thereof.

**1 Claim, 5 Drawing Sheets**



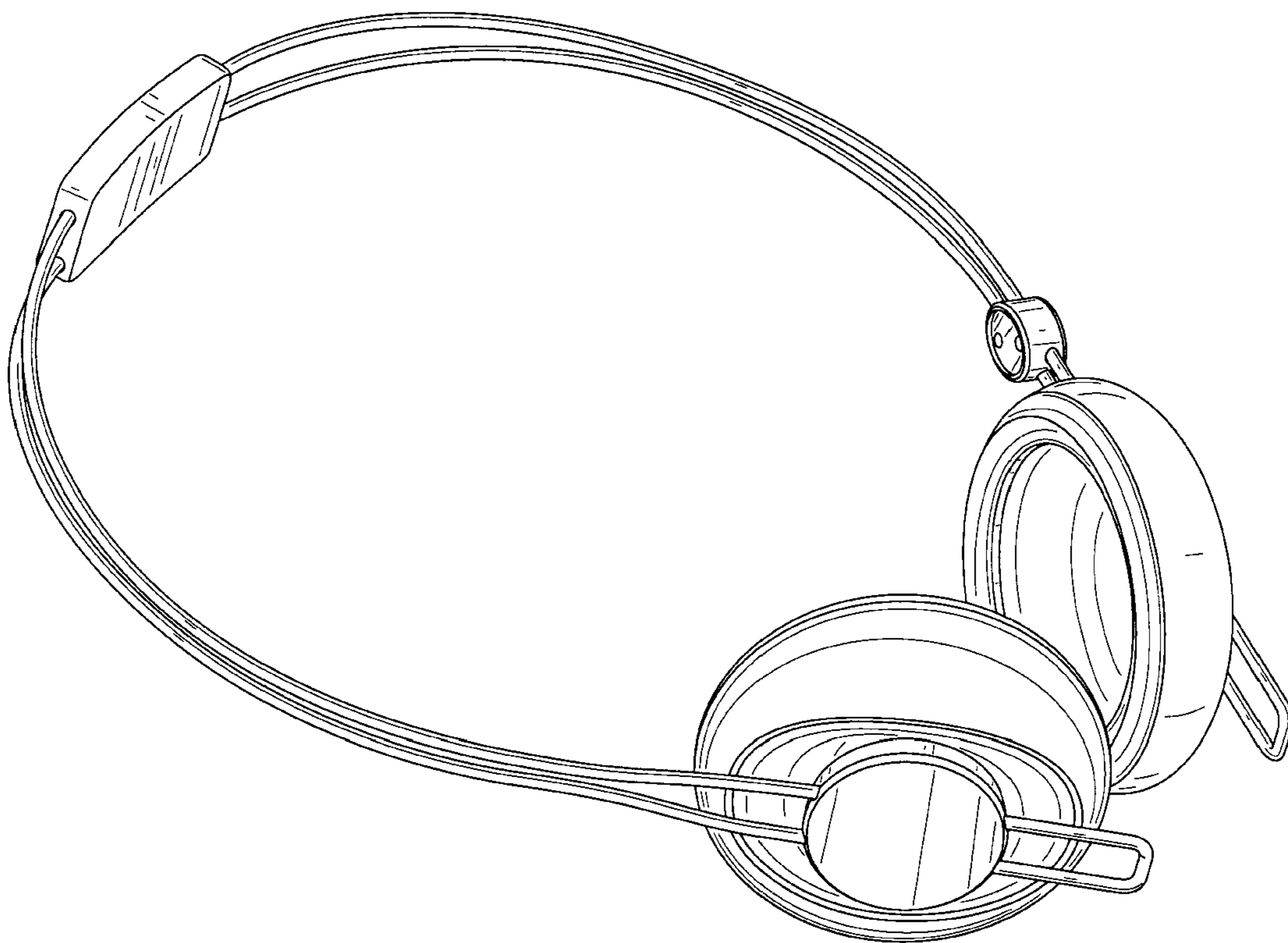


FIG. 1

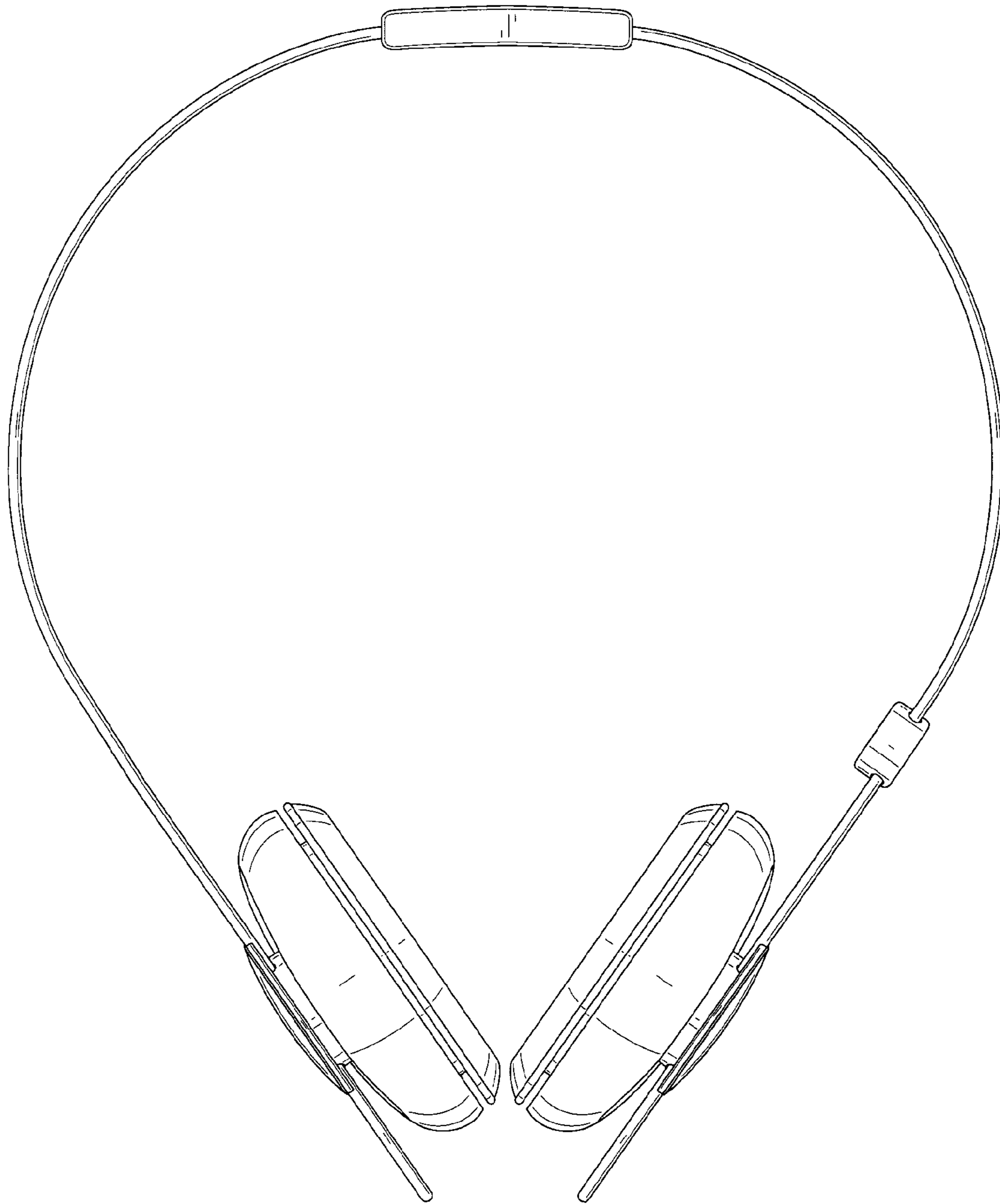


FIG. 2



FIG. 3

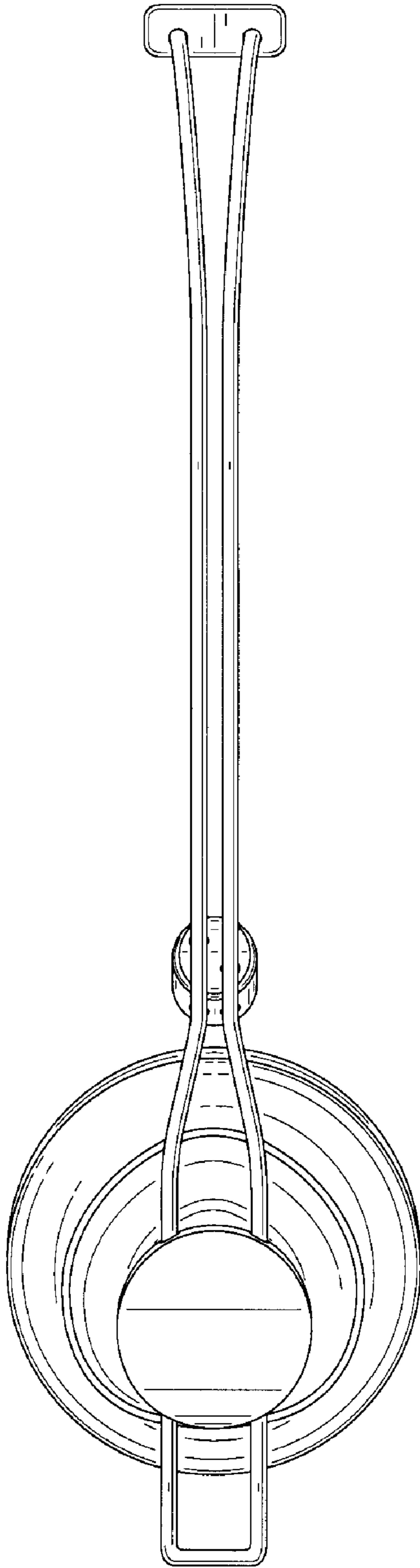


FIG. 4

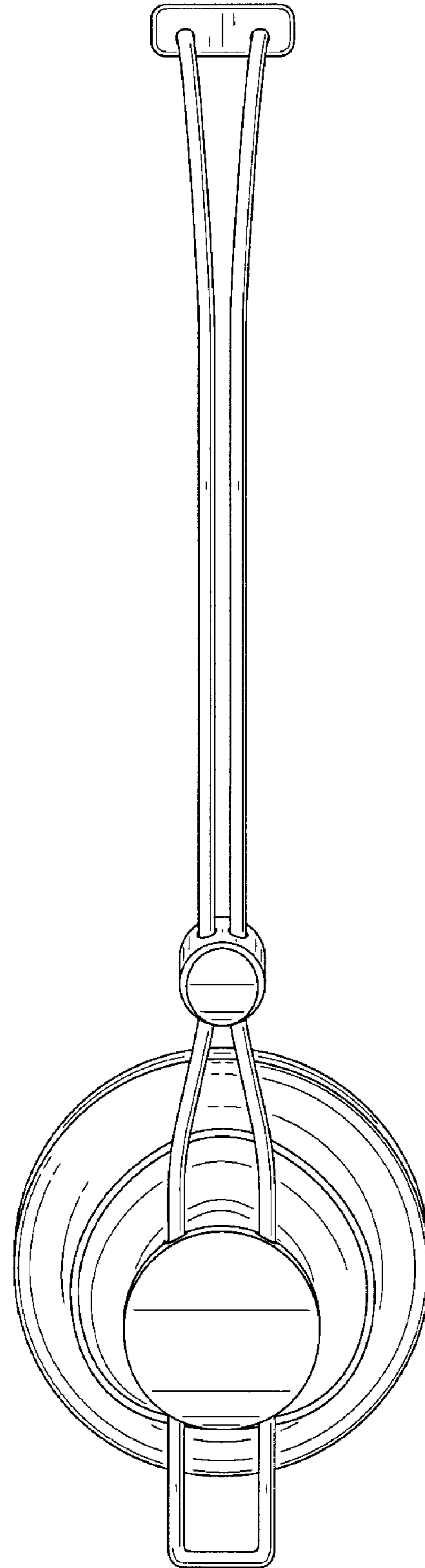


FIG. 5

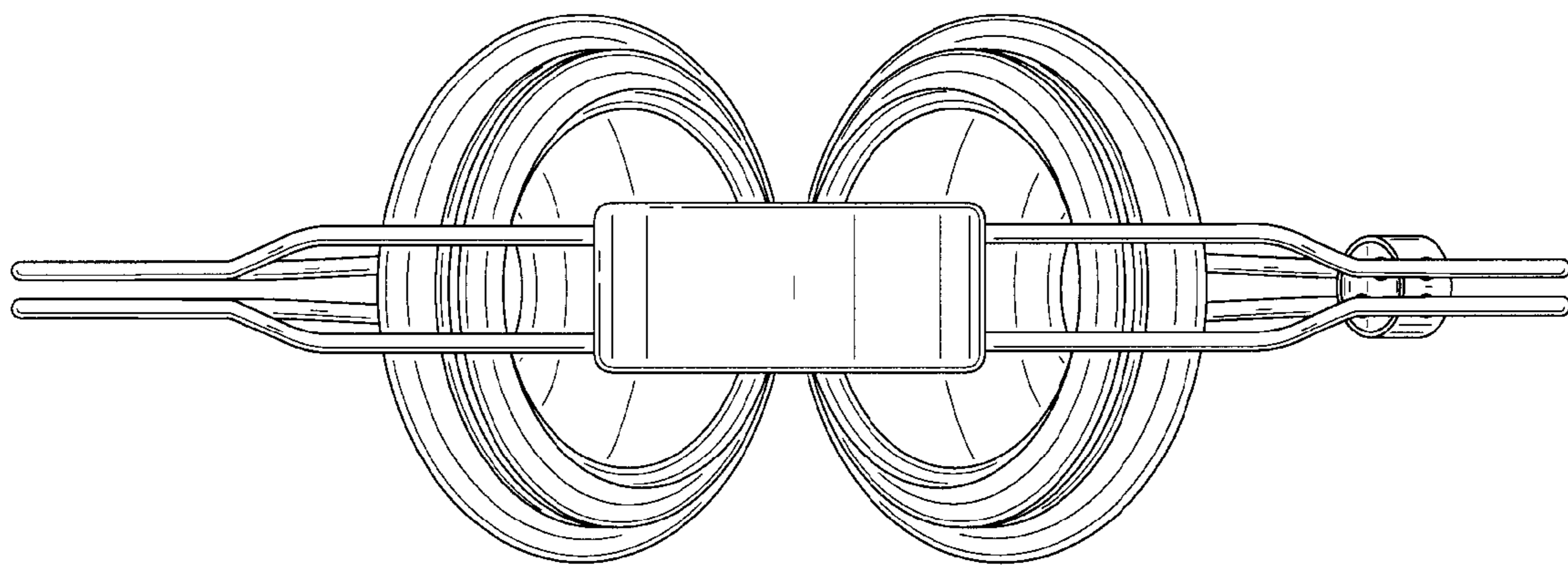


FIG. 6

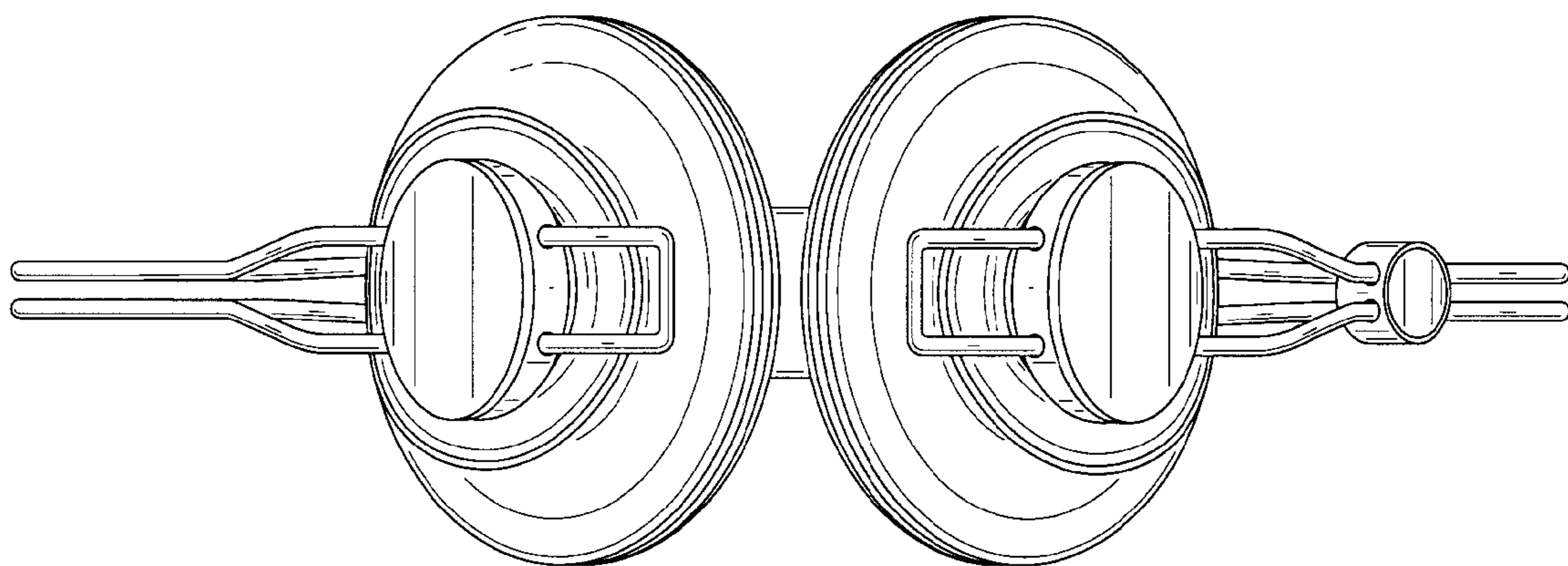


FIG. 7