

US00D570822S

(12) **United States Design Patent**  
**Wu et al.**

(10) **Patent No.:** **US D570,822 S**  
(45) **Date of Patent:** **\*\* Jun. 10, 2008**

(54) **CLIP CHAIN OF BLUE TOOTH EARPHONE**

(75) Inventors: **Yin Lung Wu**, Tu-Cheng (TW); **Ming Chiang Chen**, Tu-Cheng (TW); **Bing Tao Yang**, Tu-Cheng (TW)

(73) Assignee: **Cheng Uei Precision Industry Co., Ltd.**, Taipei Hsien (TW)

(\*\*) Term: **14 Years**

(21) Appl. No.: **29/270,210**

(22) Filed: **Dec. 19, 2006**

(51) **LOC (8) Cl.** ..... **14-01**

(52) **U.S. Cl.** ..... **D14/205; D14/223**

(58) **Field of Classification Search** ..... D14/167,  
D14/168, 192, 217, 205, 206, 223, 240, 256,  
D14/432, 433, 435, 483; D3/318; D8/356;  
D13/110, 118, 133, 154; 24/3.11, 615; 224/269,  
224/197; 242/379.2; 455/351, 90.2  
See application file for complete search history.

(56) **References Cited**

**U.S. PATENT DOCUMENTS**

4,688,262 A \* 8/1987 Schaefer et al. .... 455/90.2  
5,261,122 A \* 11/1993 Otsuki et al. .... 455/351  
5,938,137 A \* 8/1999 Poulson ..... 242/379.2  
D426,063 S \* 6/2000 Hicks et al. .... D3/318

D475,994 S \* 6/2003 Schmidt et al. .... D14/223  
D493,175 S \* 7/2004 Schmidt et al. .... D14/433  
D507,273 S \* 7/2005 Ibuki ..... D14/433  
D527,723 S \* 9/2006 Andre et al. .... D14/217  
D555,149 S \* 11/2007 Griffin ..... D14/217  
D559,193 S \* 1/2008 Stavoe et al. .... D13/154  
D560,166 S \* 1/2008 Andre et al. .... D13/133

\* cited by examiner

*Primary Examiner*—Paula A Greene

(74) *Attorney, Agent, or Firm*—Rosenberg, Klein & Lee

(57) **CLAIM**

The ornamental design for a clip chain of blue tooth ear-  
phone, as shown and described.

**DESCRIPTION**

FIG. 1 is a perspective view of a clip chain of blue tooth  
earphone showing our new design;

FIG. 2 is a front elevational view thereof;

FIG. 3 is a rear elevational view thereof;

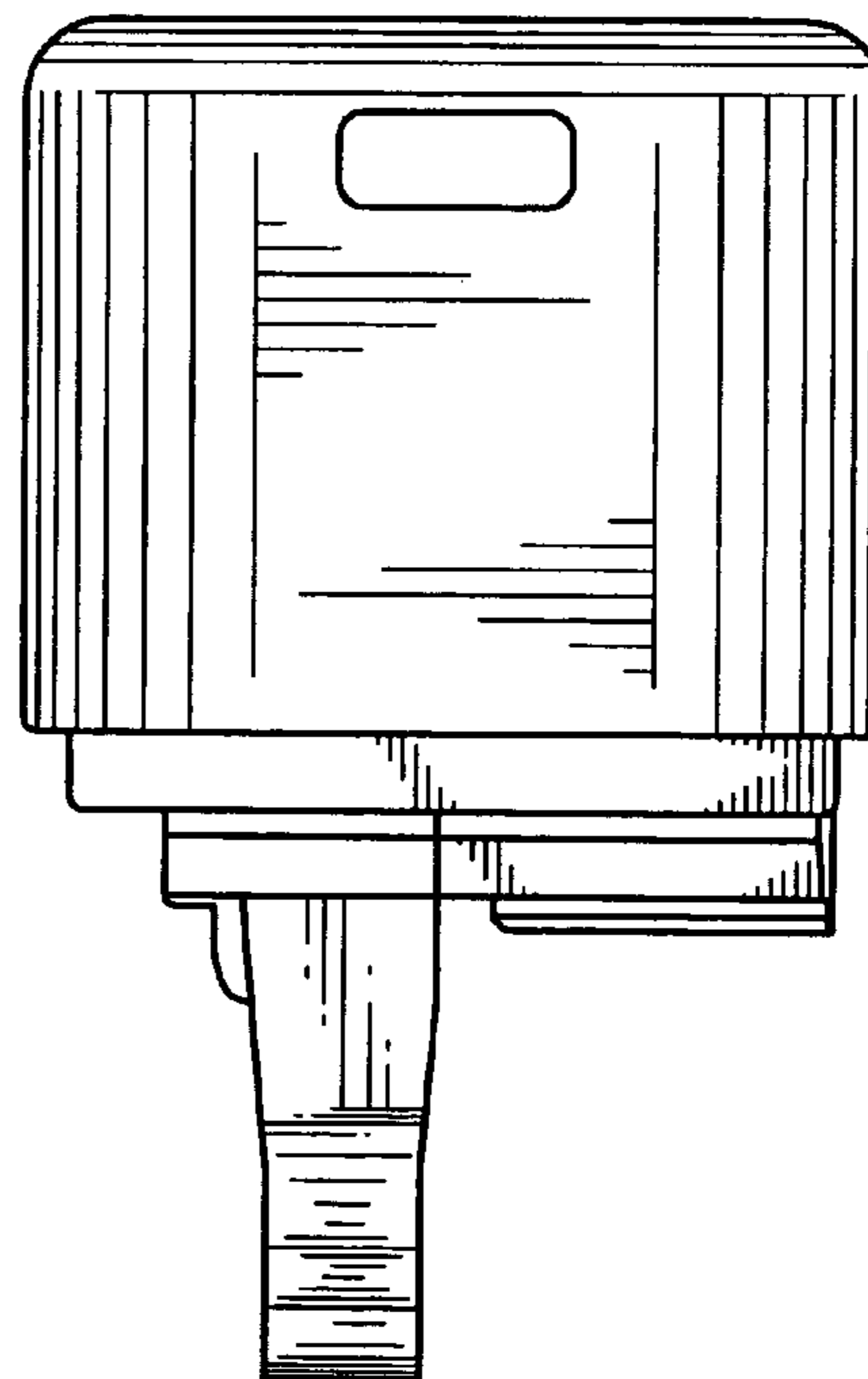
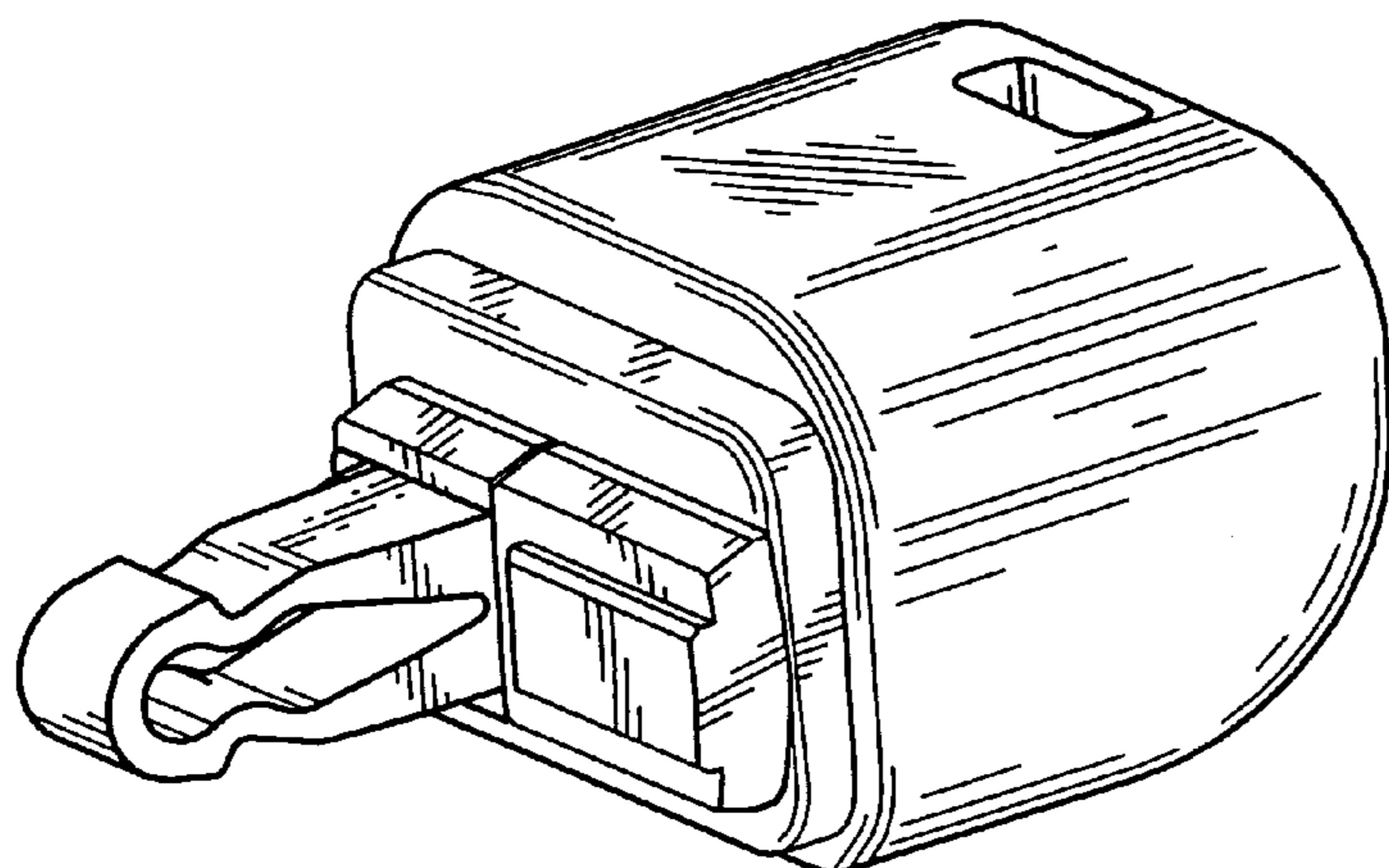
FIG. 4 is a left side elevational view thereof;

FIG. 5 is a right side elevational view thereof;

FIG. 6 is a top plan view thereof; and,

FIG. 7 is a bottom plan view thereof.

**1 Claim, 7 Drawing Sheets**



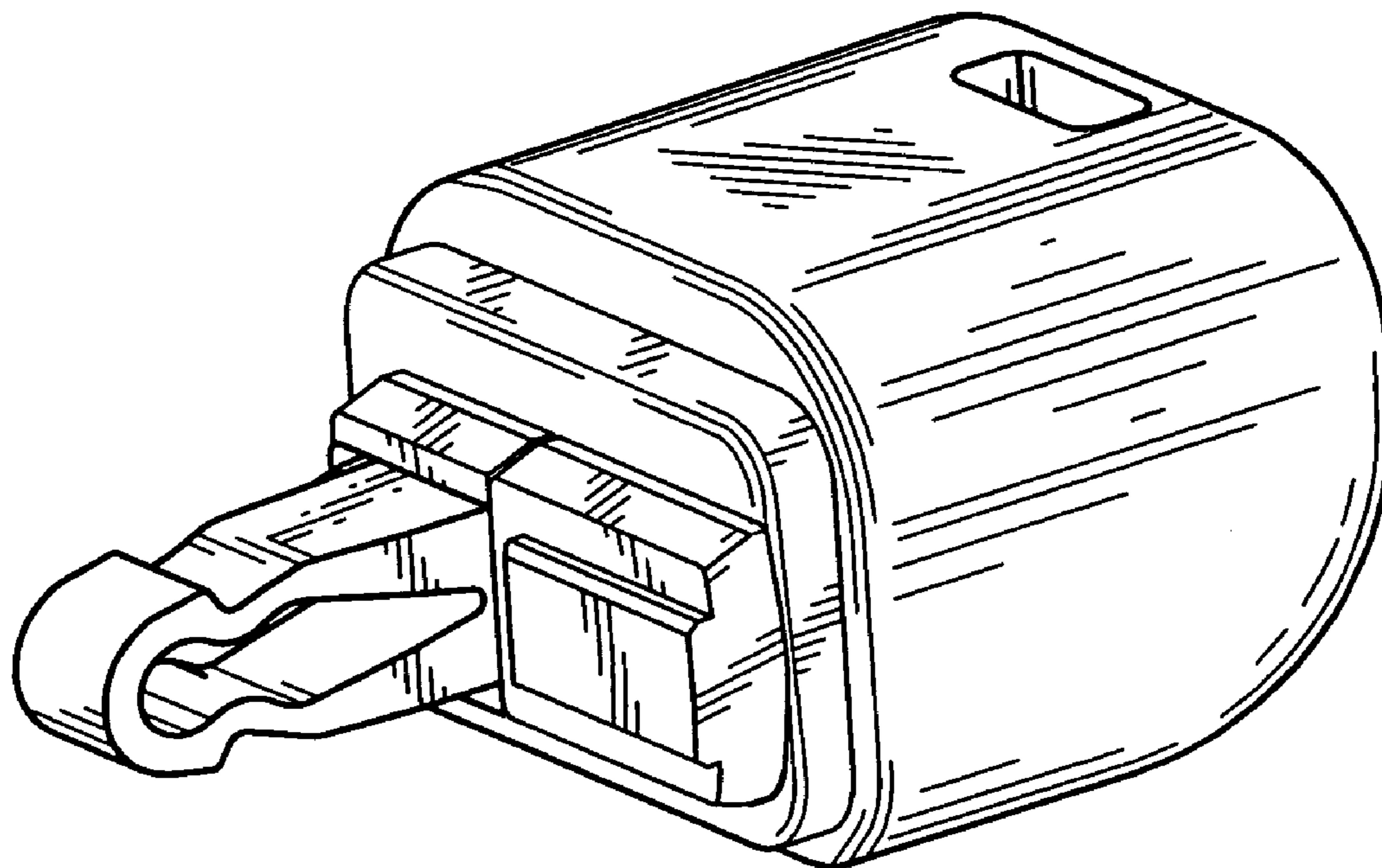


FIG. 1

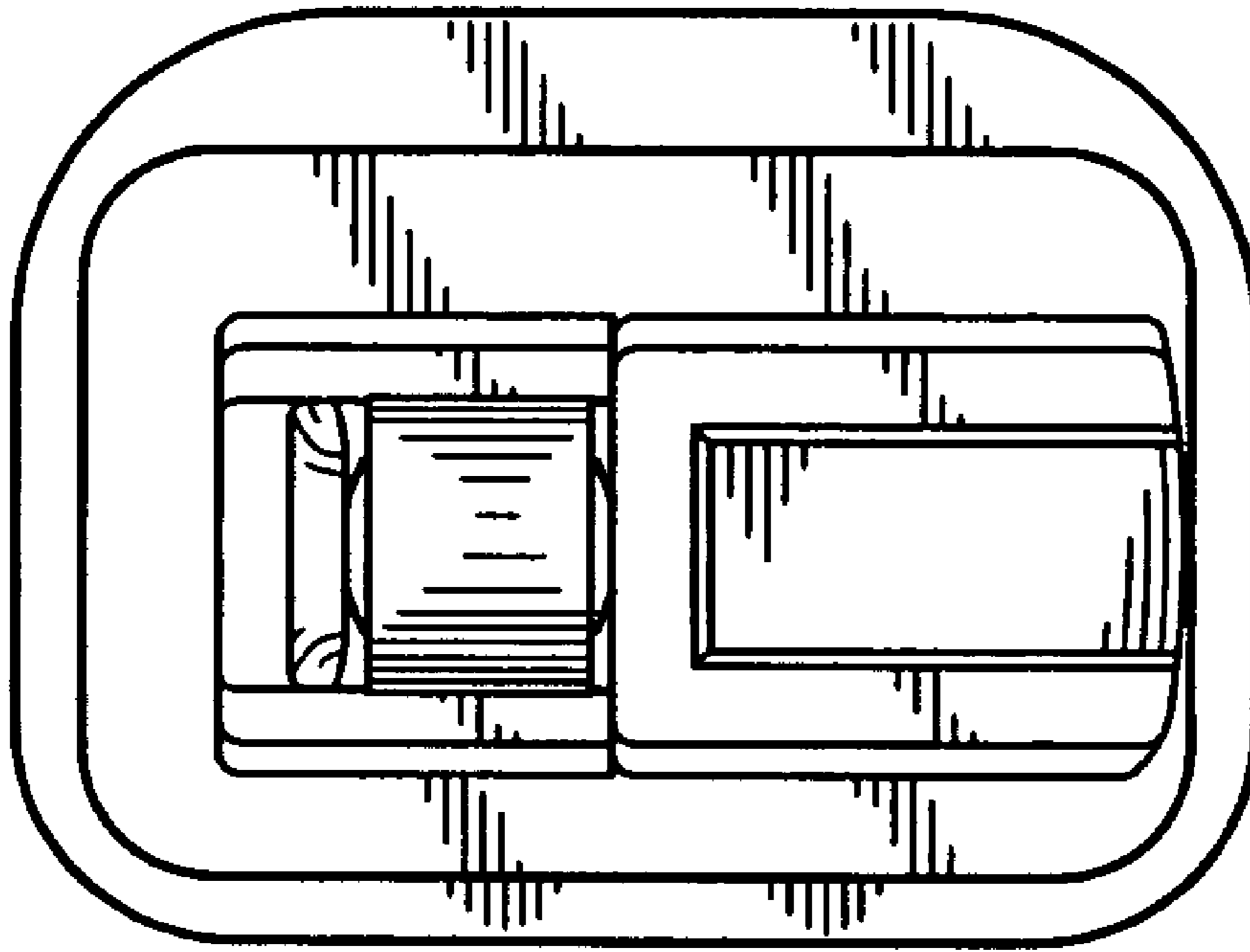


FIG. 2

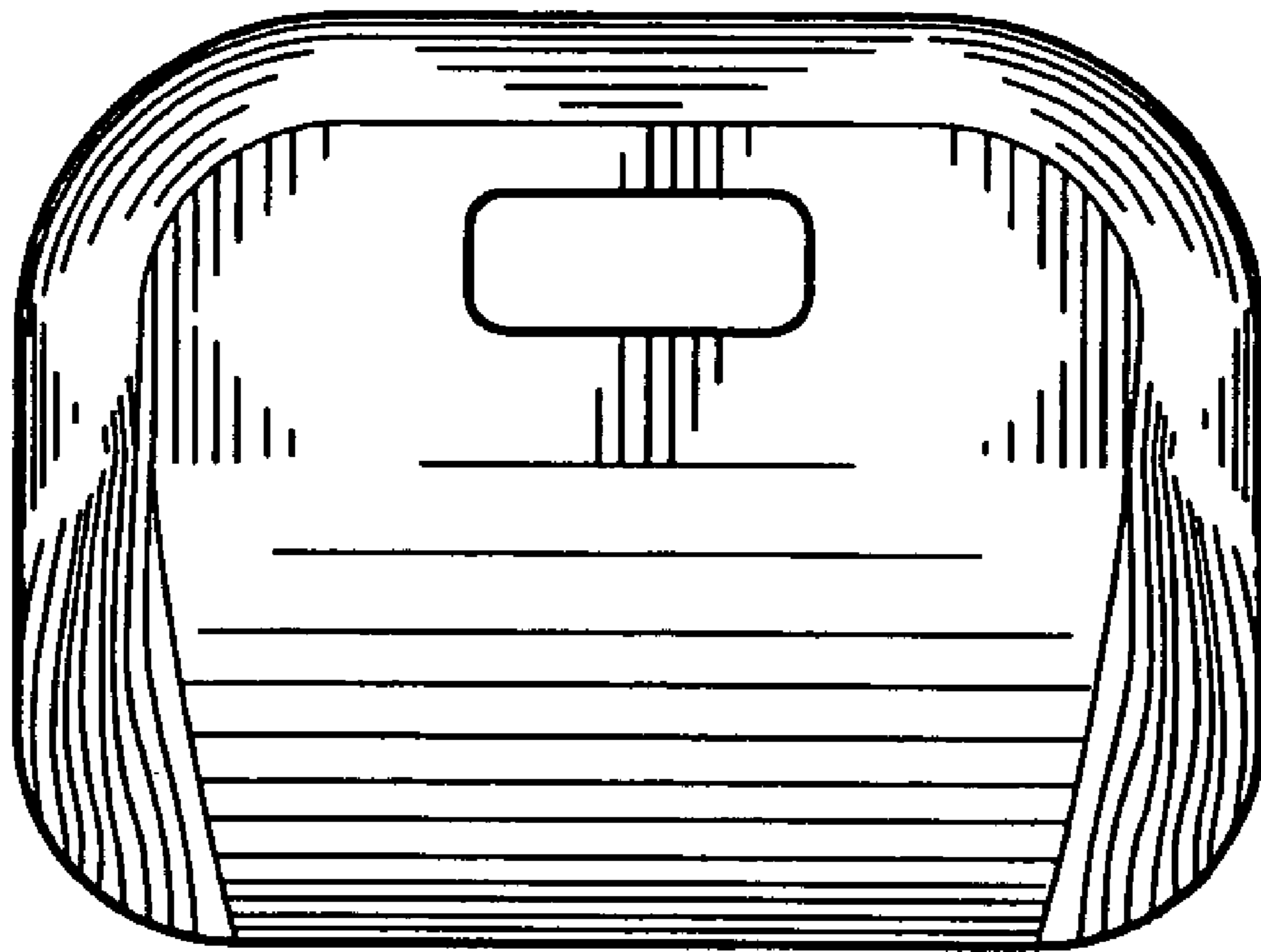


FIG. 3

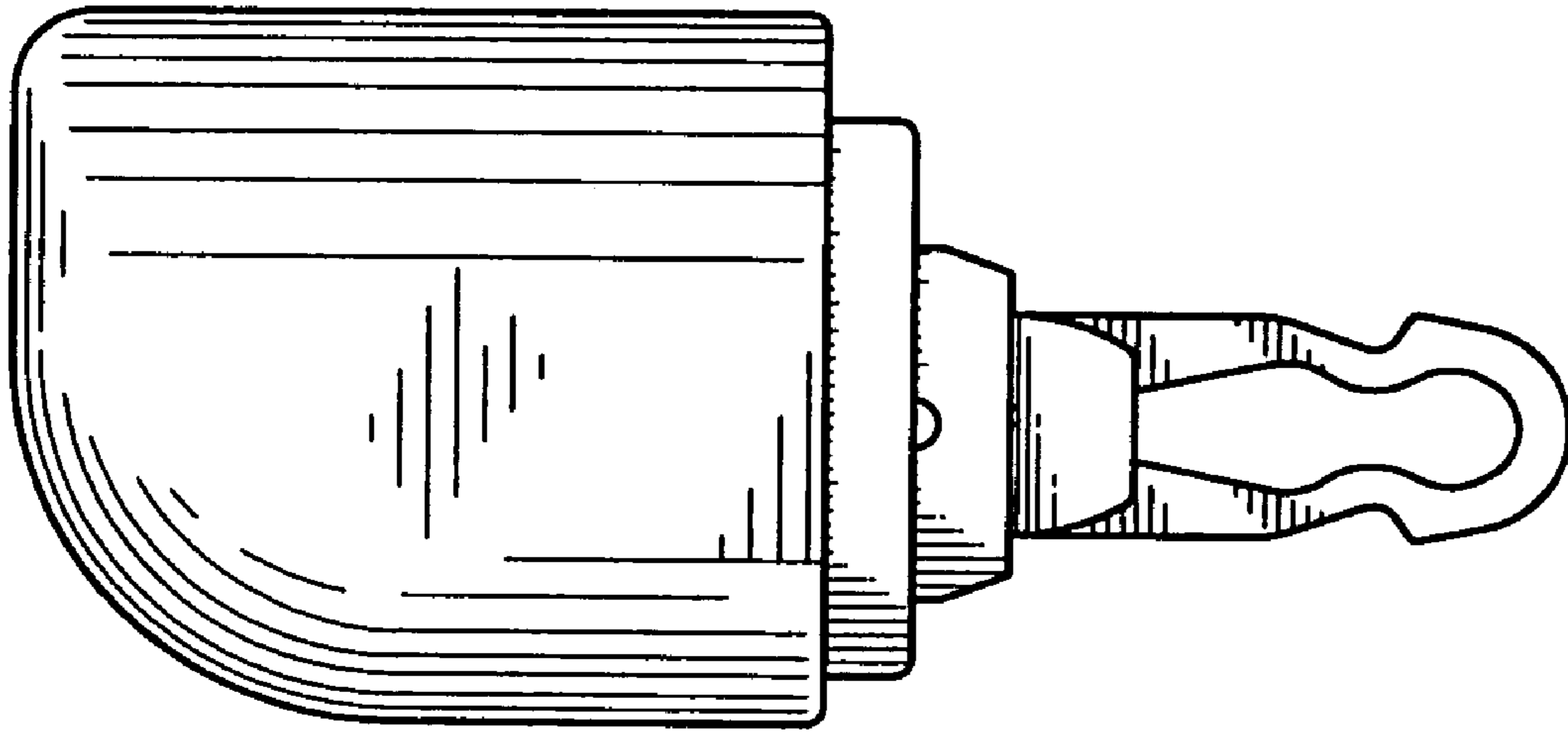


FIG. 4

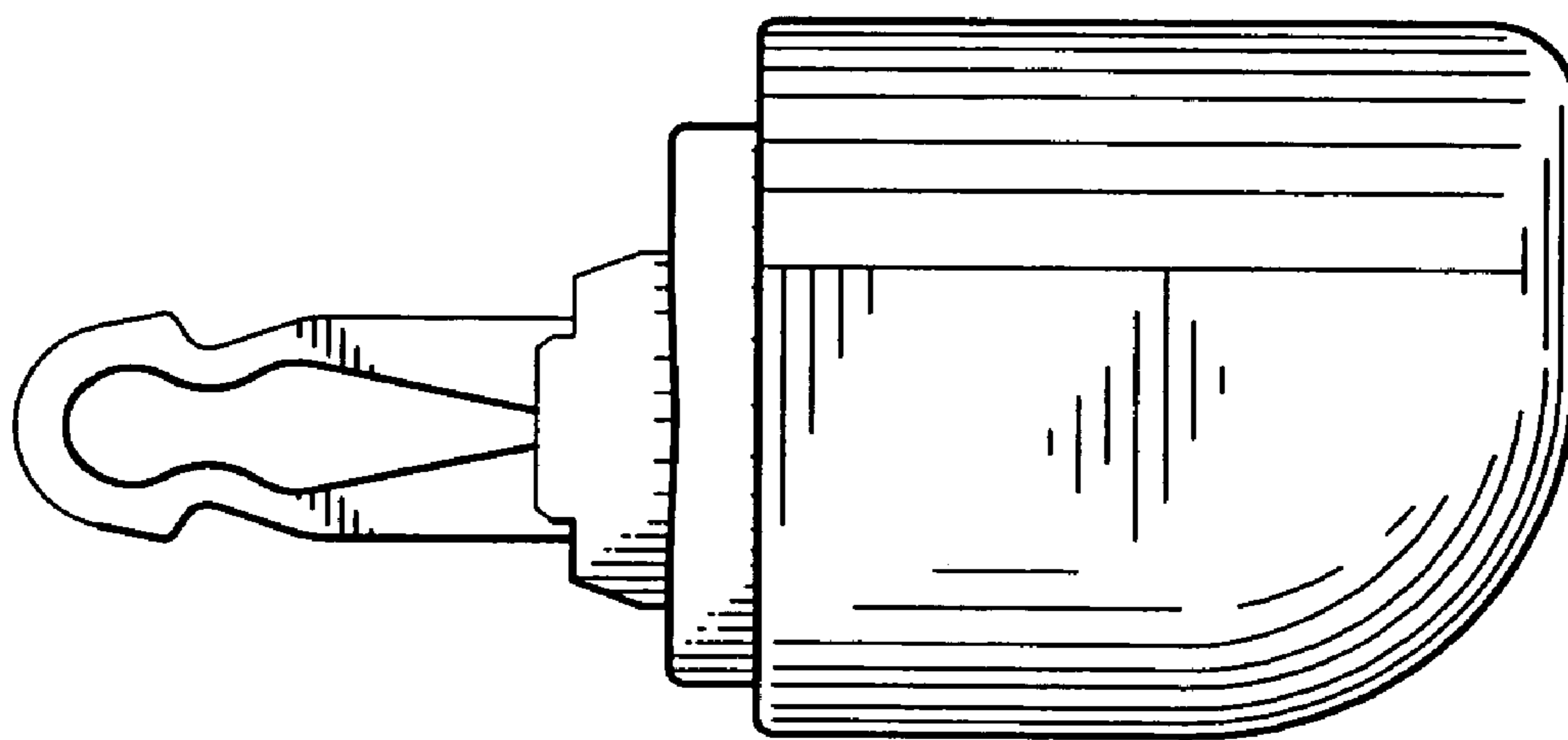


FIG. 5

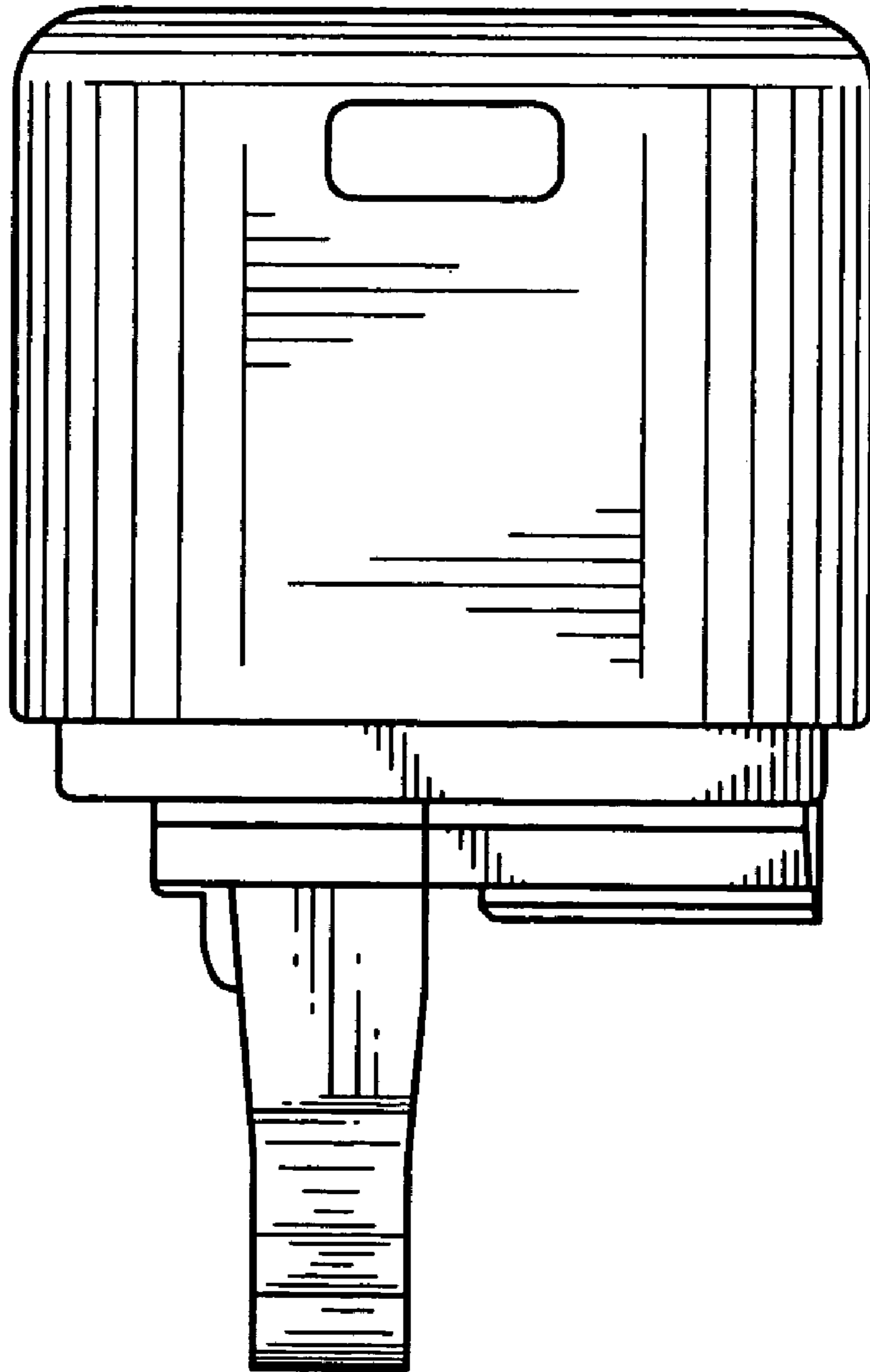


FIG. 6

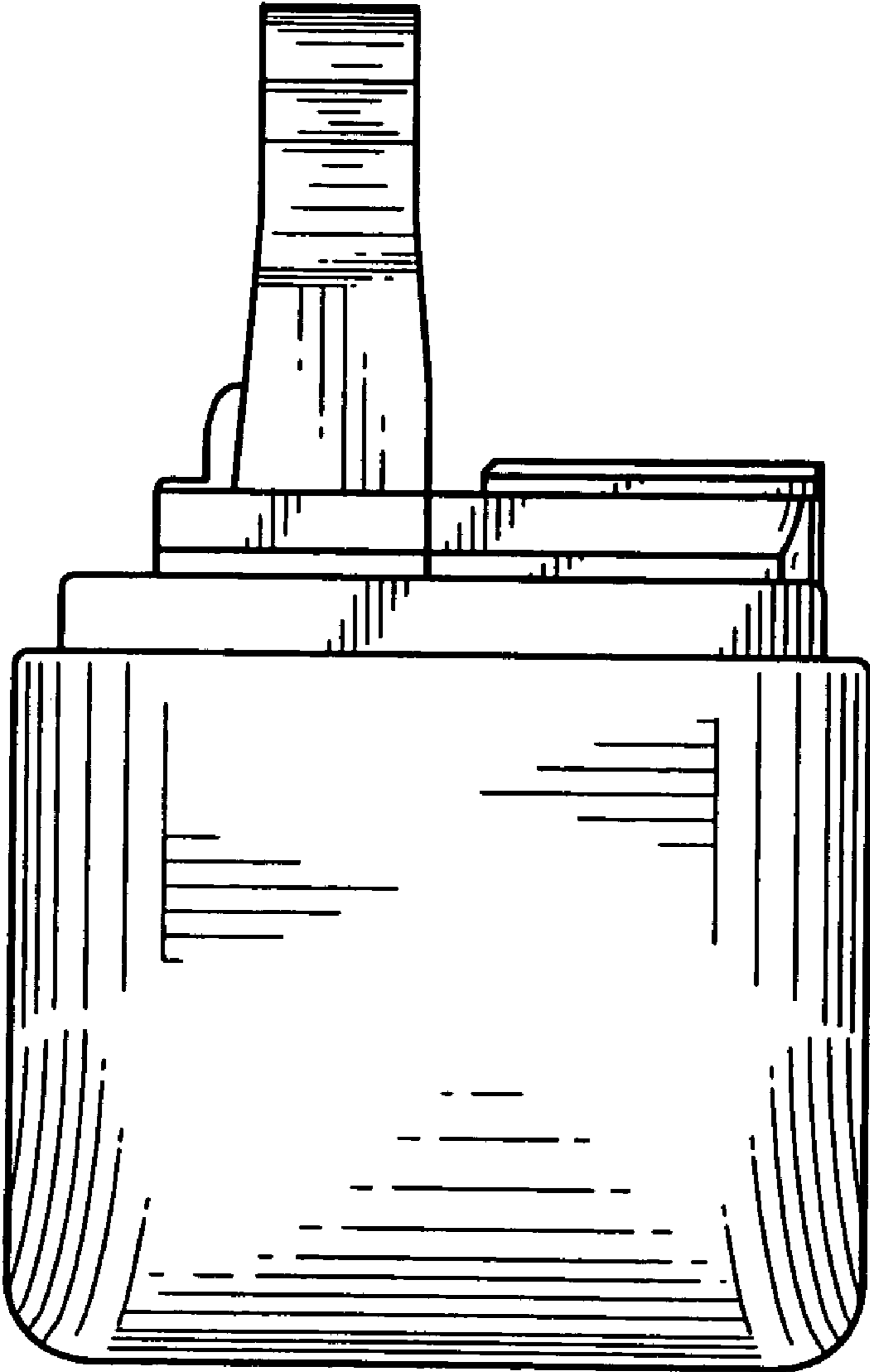


FIG. 7