

US00D570820S

(12) **United States Design Patent**
Katori

(10) **Patent No.: US D570,820 S**

(45) **Date of Patent: ** Jun. 10, 2008**

(54) **SPEAKERPHONE**

(75) Inventor: **Takehito Katori**, Kadoma (JP)

(73) Assignee: **Matsushita Electric Industrial Co., Ltd.**, Osaka (JP)

(**) Term: **14 Years**

(21) Appl. No.: **29/272,552**

(22) Filed: **Feb. 9, 2007**

(30) **Foreign Application Priority Data**

Sep. 5, 2006 (JP) 2006-023710

(51) **LOC (8) Cl.** **14-03**

(52) **U.S. Cl.** **D14/149**

(58) **Field of Classification Search** D14/130,
D14/137, 140, 140.1, 140.8, 141.1, 141.3,
D14/142, 147-151, 158-159, 171, 188, 225-226,
D14/240, 243, 251, 253, 357, 434, 471; 379/387.01,
379/388.02, 420.02, 447; 381/16, 71.1;
D13/107-108; 191/12.2 R; 320/108, 114;
455/411

See application file for complete search history.

(56) **References Cited**

U.S. PATENT DOCUMENTS

D307,274 S * 4/1990 Sasaki et al. D14/243
D349,701 S * 8/1994 Beutler et al. D14/149
D375,948 S * 11/1996 Langlois D14/471
5,778,085 A * 7/1998 Sasaki 381/71.1
D406,841 S 3/1999 Myung
5,912,967 A * 6/1999 Gaffney et al. 379/420.02
D413,021 S * 8/1999 Wheatley et al. D14/240
D460,753 S * 7/2002 Hill et al. D14/240
D471,542 S * 3/2003 Sim D14/240
D481,371 S 10/2003 Chen
D488,794 S 4/2004 Chen

D493,169 S * 7/2004 Cheng D14/357
D531,999 S 11/2006 Bourne et al.
D539,274 S * 3/2007 Bourne et al. D14/240
D545,807 S * 7/2007 Peterson et al. D14/149
D557,676 S * 12/2007 Suzuki et al. D14/149
D558,728 S * 1/2008 Murakami D14/150

OTHER PUBLICATIONS

Panasonic KX-TS730, <URL:http://www.101phones.com/details/1979-195/Panasonic-Conference-Phones-KX-TS730.html>, retrieved from internet Feb. 11, 2008.*

* cited by examiner

Primary Examiner—Ian Simmons

Assistant Examiner—Carla Wright

(74) *Attorney, Agent, or Firm*—Brinks Hofer Gilson & Lione

(57) **CLAIM**

I claim the ornamental design for a speakerphone, as shown and described.

DESCRIPTION

FIG. 1 is a top perspective view of a speakerphone of the present invention;

FIG. 2 is a front view thereof;

FIG. 3 is a rear view thereof;

FIG. 4 is a first side view thereof;

FIG. 5 is a second side view thereof;

FIG. 6 is a top view thereof; and,

FIG. 7 is a bottom view thereof.

The broken line showing of environmental structures is for illustrative purposes only and forms no part of the claimed design.

1 Claim, 5 Drawing Sheets

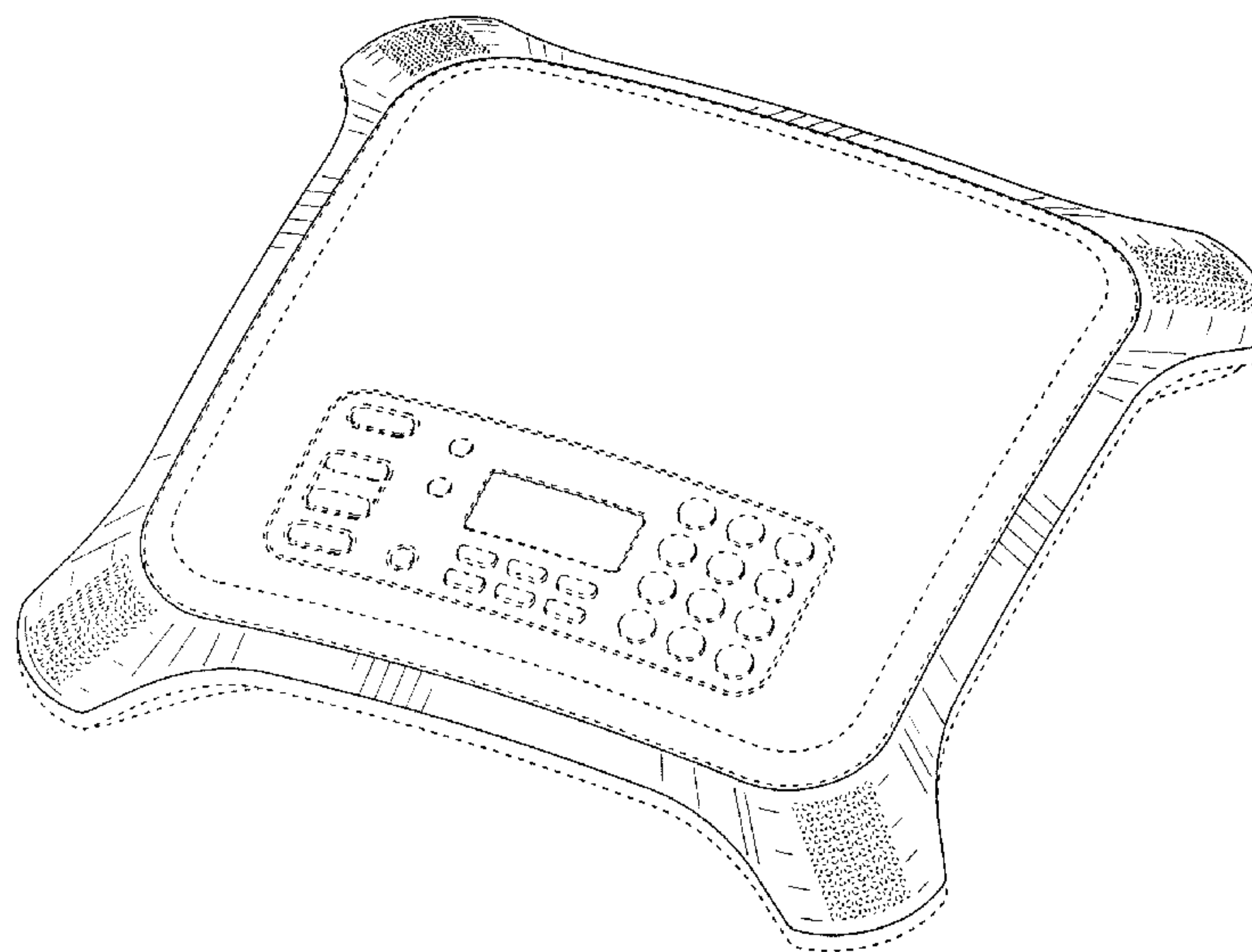


FIG. 1

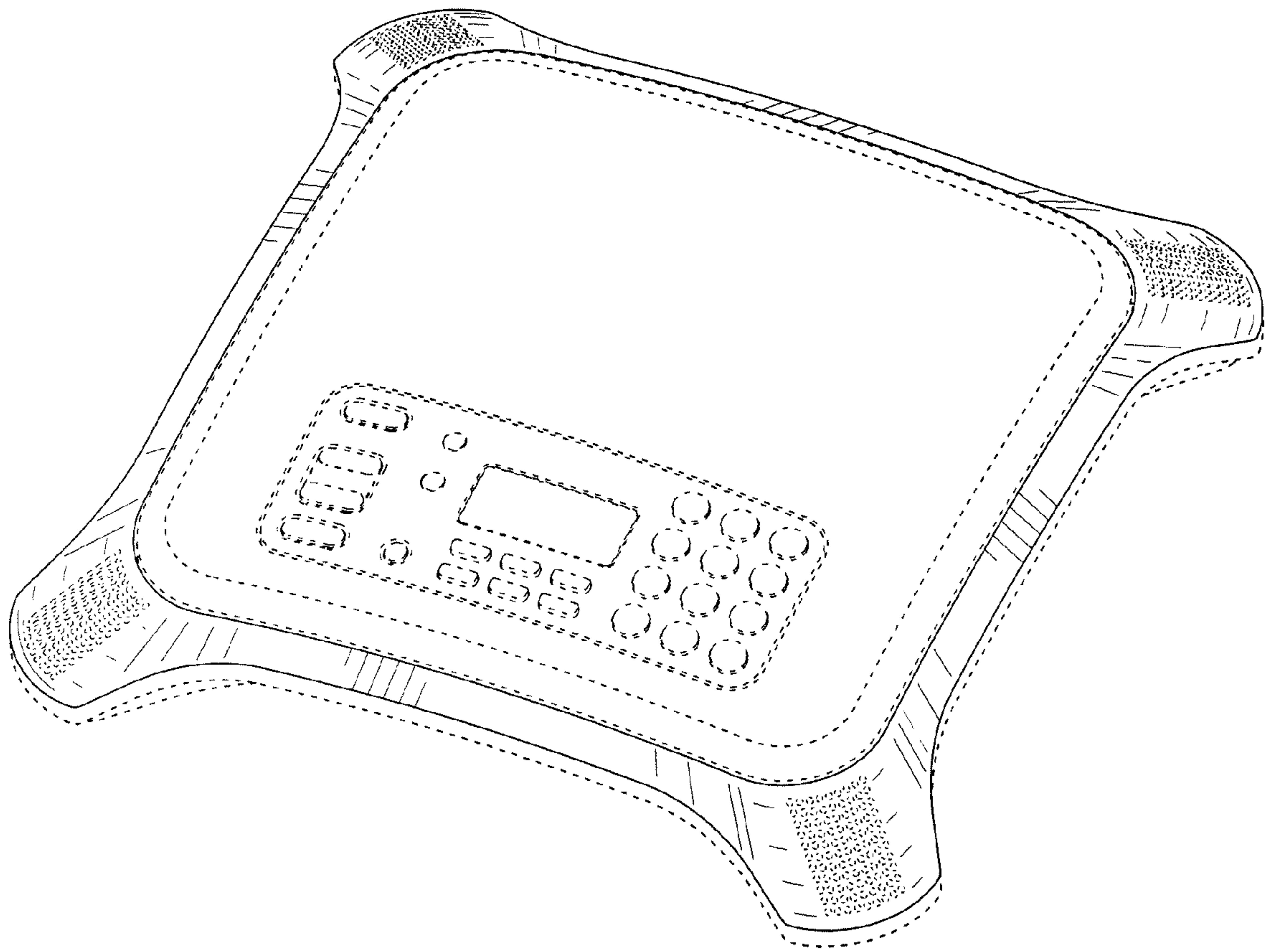


FIG.2

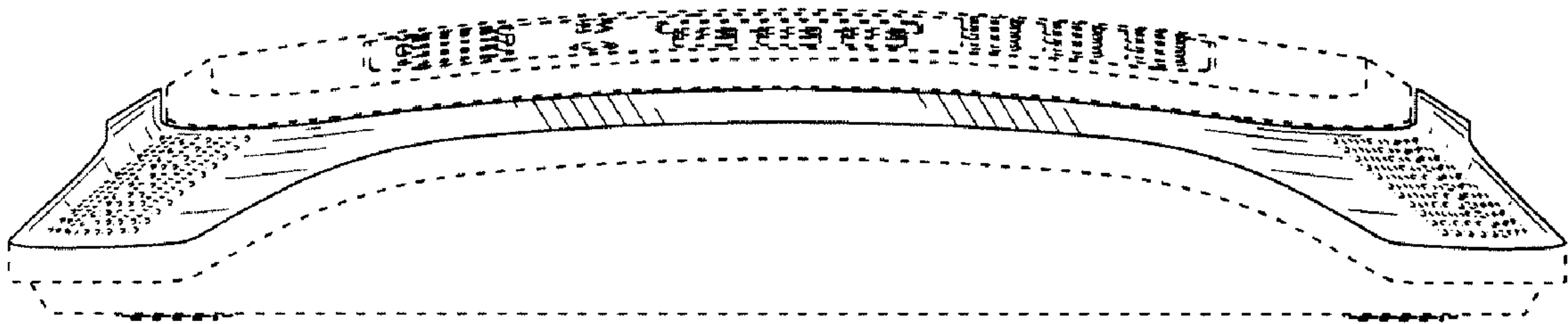


FIG.3

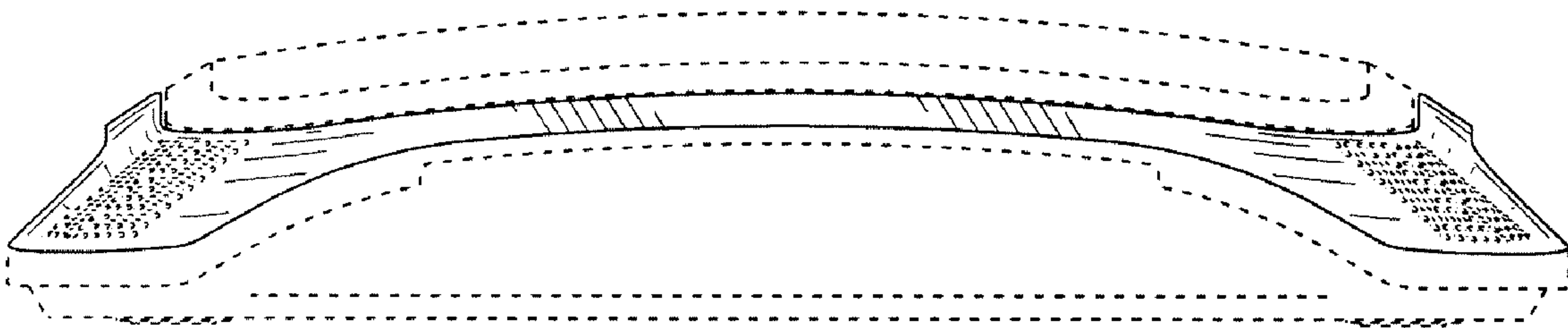


FIG. 4

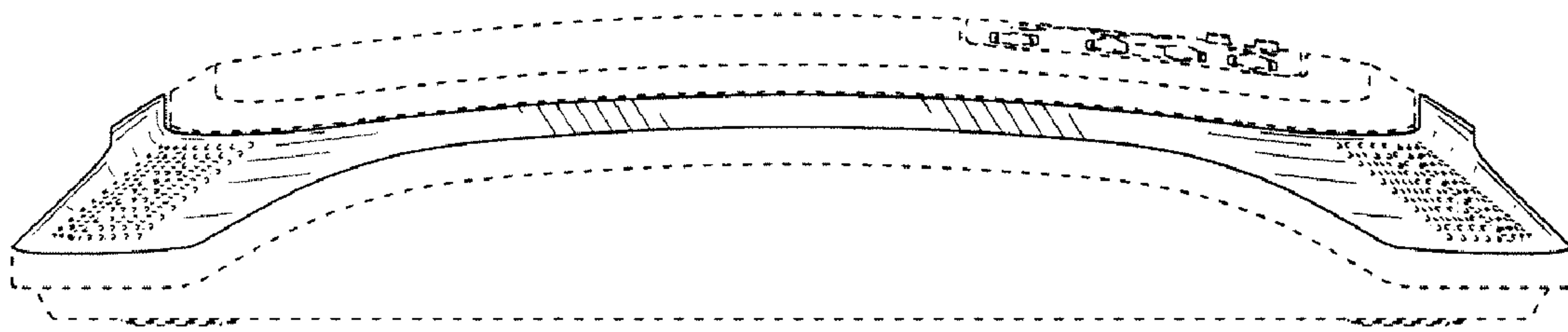


FIG. 5

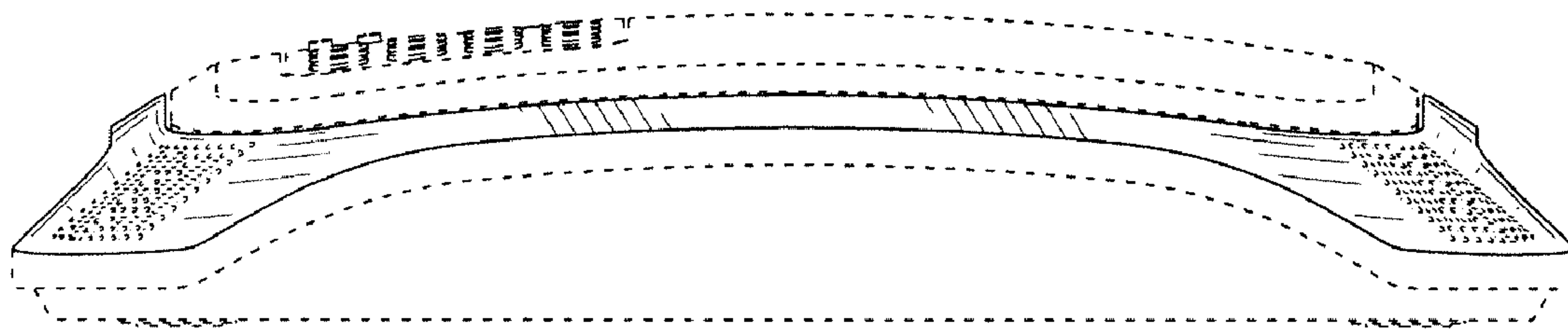


FIG.6

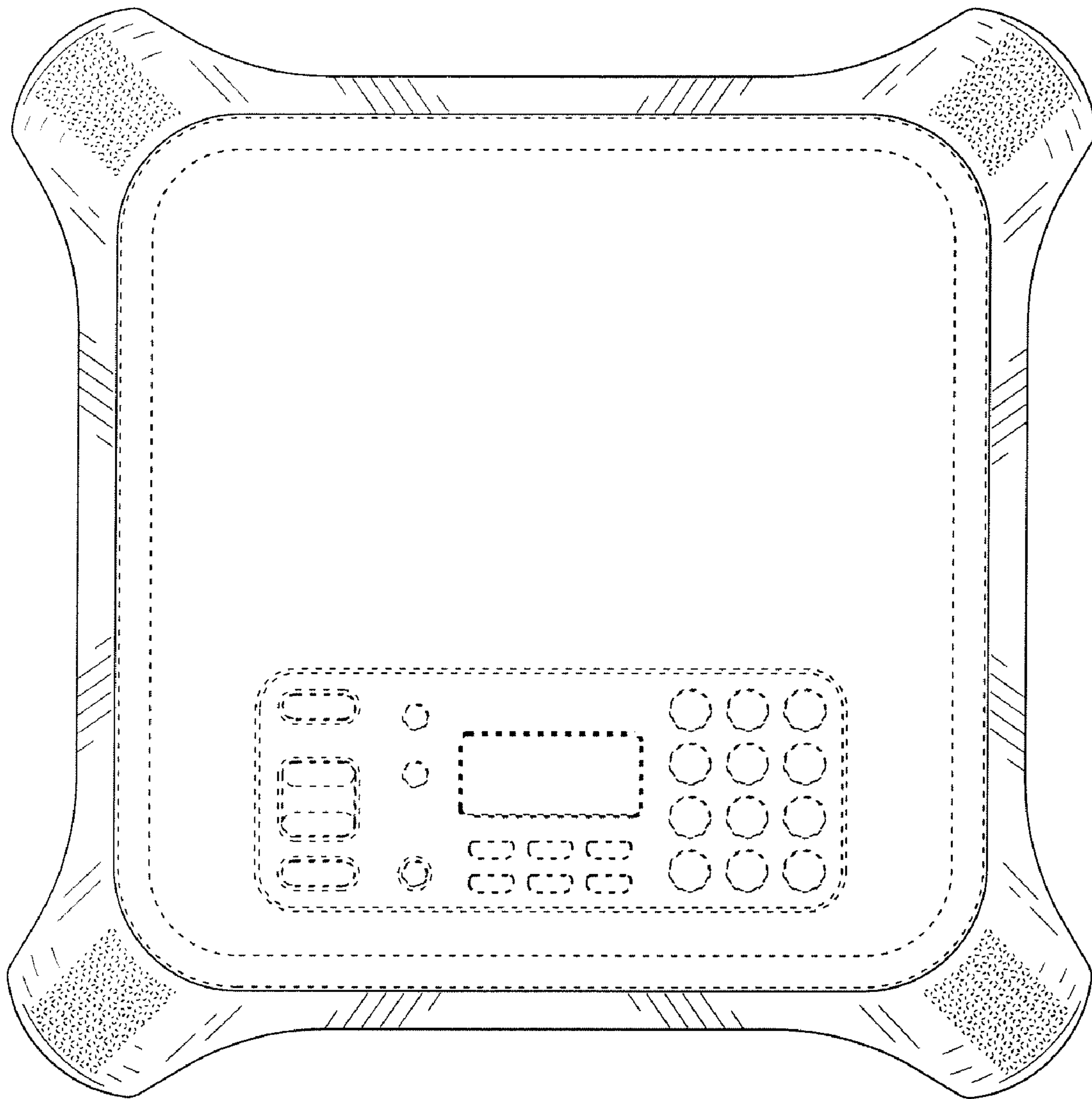


FIG. 7

