

US00D570819S

(12) **United States Design Patent**  
**Franck et al.**

(10) **Patent No.:** **US D570,819 S**  
(45) **Date of Patent:** **\*\* Jun. 10, 2008**

(54) **DOCKING MODULE**

(75) Inventors: **Christopher G. Franck**, Decatur, GA (US); **Jeffery R. Beasley**, Suwanee, GA (US); **Alina R. Butan**, Fort Lauderdale, FL (US)

(73) Assignee: **General Instrument Corporation**, Horsham, PA (US)

(\*\*) Term: **14 Years**

(21) Appl. No.: **29/250,705**

(22) Filed: **Nov. 28, 2006**

(51) **LOC (8) Cl.** ..... **14-03**

(52) **U.S. Cl.** ..... **D14/149**

(58) **Field of Classification Search** ..... D14/130, D14/137, 140, 140.1, 140.8, 141.1, 141.3, D14/142, 149-151, 158-159, 171, 188, 225-226, D14/240, 243, 251, 253, 434; 379/387.01, 379/388.02, 420.02, 447; 381/16; D13/107-108; 191/12.2 R

See application file for complete search history.

(56) **References Cited**

**U.S. PATENT DOCUMENTS**

D264,715 S \* 6/1982 Trussler ..... D14/150  
D307,008 S \* 4/1990 Shaanan et al. .... D14/151  
D311,184 S \* 10/1990 Appleby ..... D14/141.1  
D319,439 S \* 8/1991 Danielson et al. .... D14/141.1  
D326,649 S \* 6/1992 Joffe et al. .... D14/142

D349,501 S \* 8/1994 Fan ..... D14/141.3  
D370,911 S \* 6/1996 Mo ..... D14/149  
D396,643 S \* 8/1998 Chan ..... D10/15  
D407,702 S \* 4/1999 Biasotti et al. .... D14/141.1  
D464,045 S \* 10/2002 Bohne ..... D14/240  
6,926,130 B2 \* 8/2005 Skowronski ..... 191/12.2 R  
D537,806 S \* 3/2007 Beasley et al. .... D14/149

\* cited by examiner

*Primary Examiner*—Ian Simmons

*Assistant Examiner*—Carla Wright

(74) *Attorney, Agent, or Firm*—Larry T. Cullen

(57) **CLAIM**

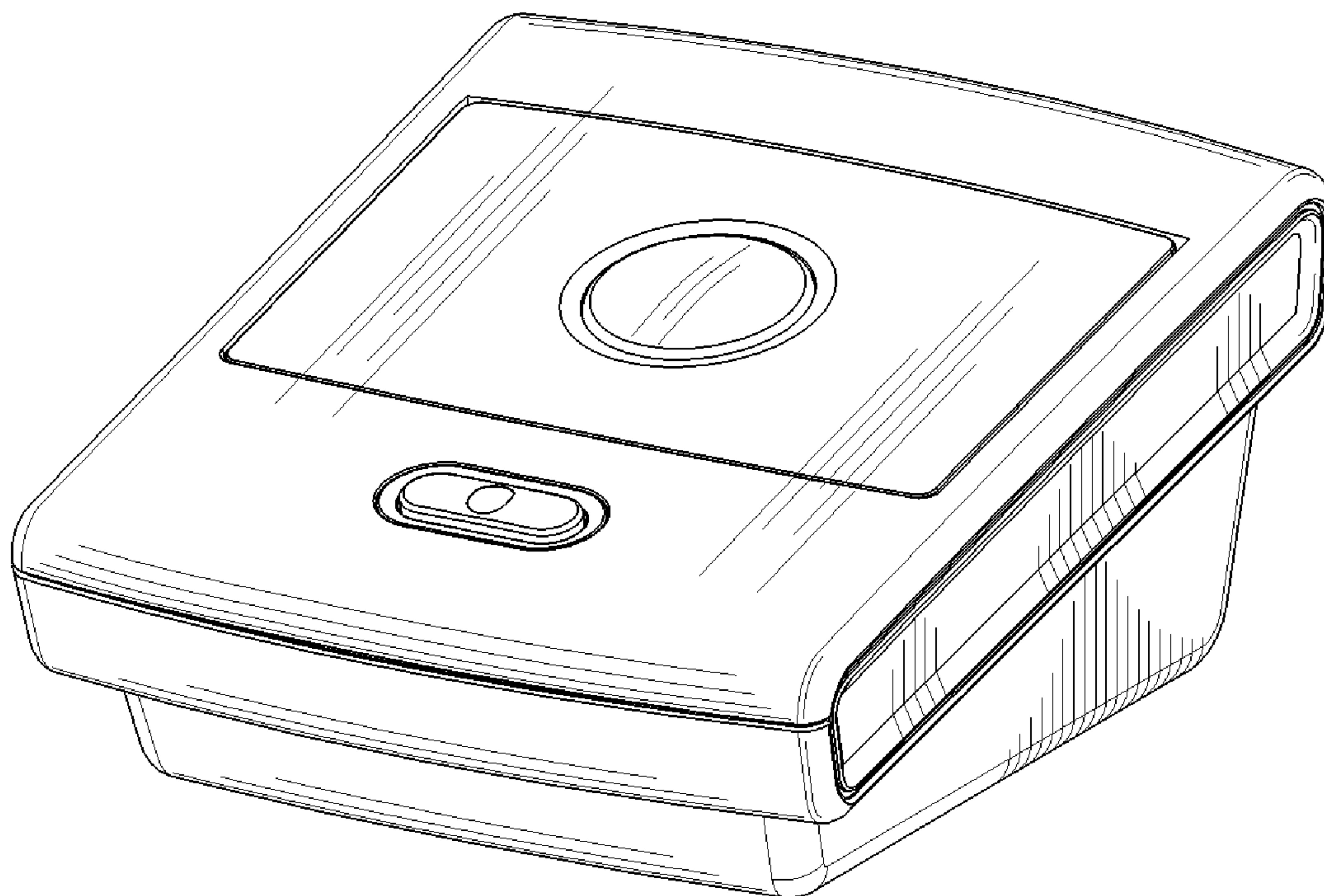
The ornamental design for a docking module, as shown and described.

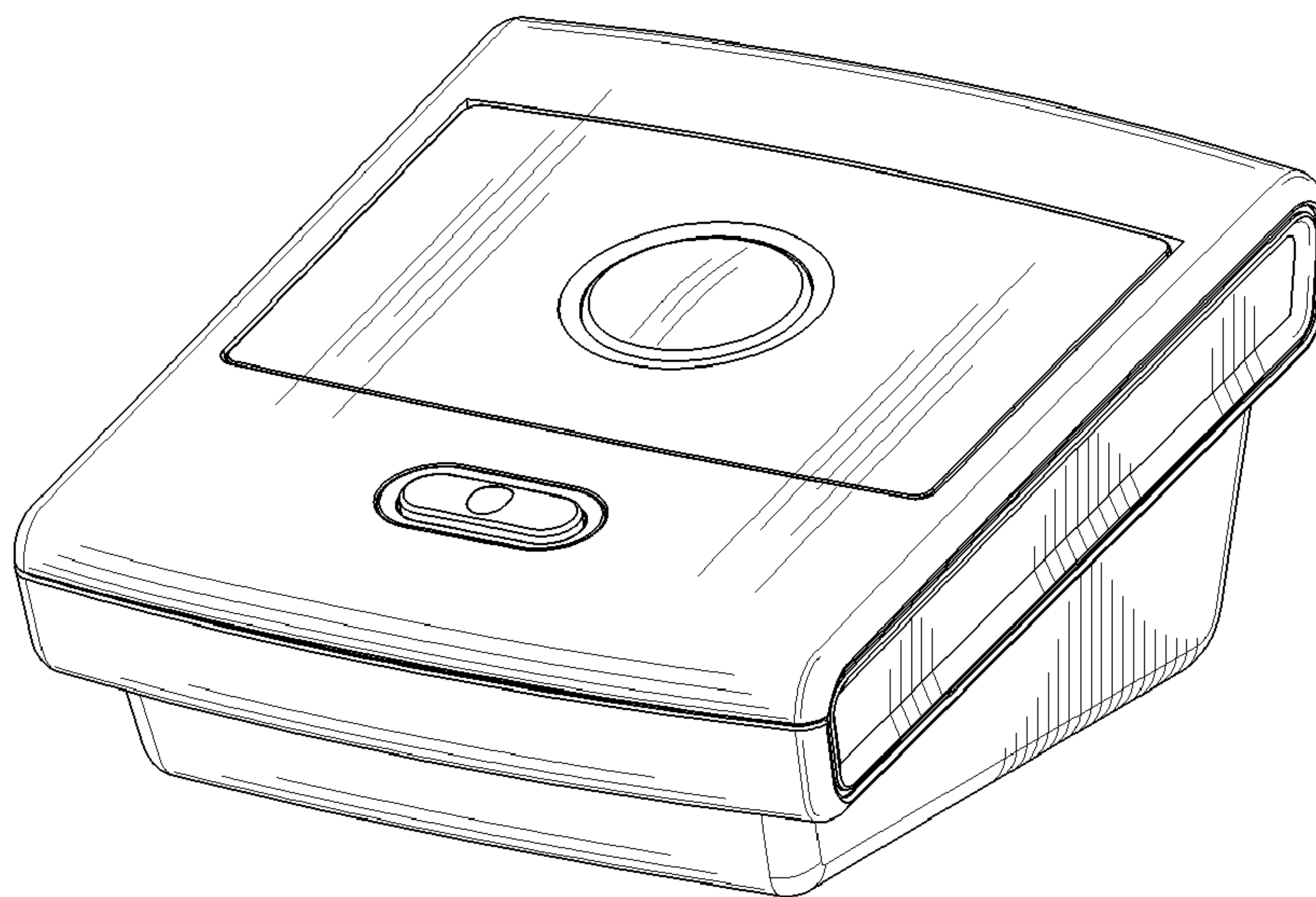
**DESCRIPTION**

FIG. 1 is a perspective view of a docking module;  
FIG. 2 is a top view of the docking module of FIG. 1;  
FIG. 3 is a front view of the docking module of FIG. 1;  
FIG. 4 is a side view of the docking module of FIG. 1;  
FIG. 5 is a side view of the docking module of FIG. 1;  
FIG. 6 is a rear view of the docking module of FIG. 1; and,  
FIG. 7 is a bottom view of the docking module of FIG. 1.

The broken line showing of environmental structures is for illustrative purposes only and forms no part of the claimed design.

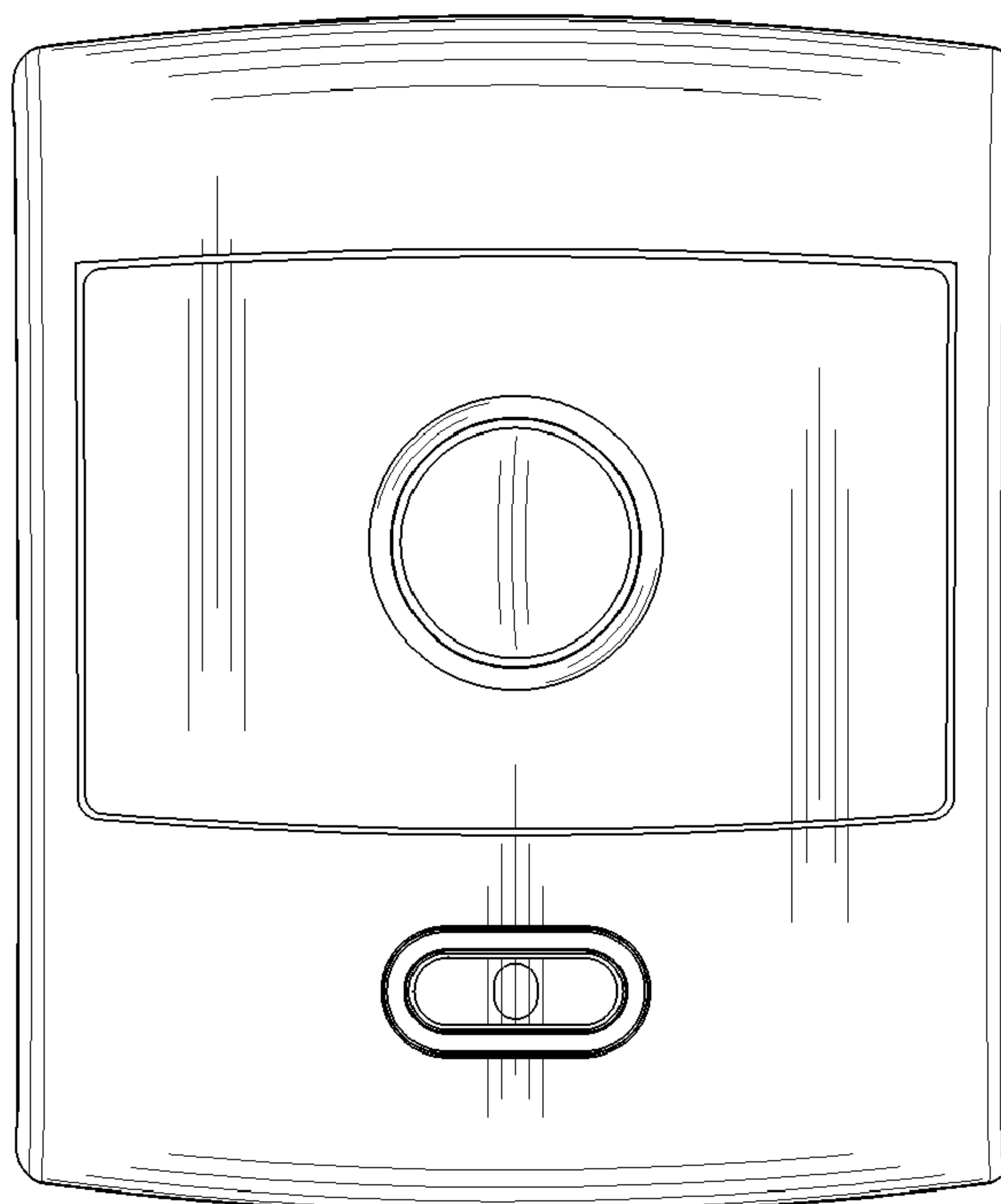
**1 Claim, 3 Drawing Sheets**

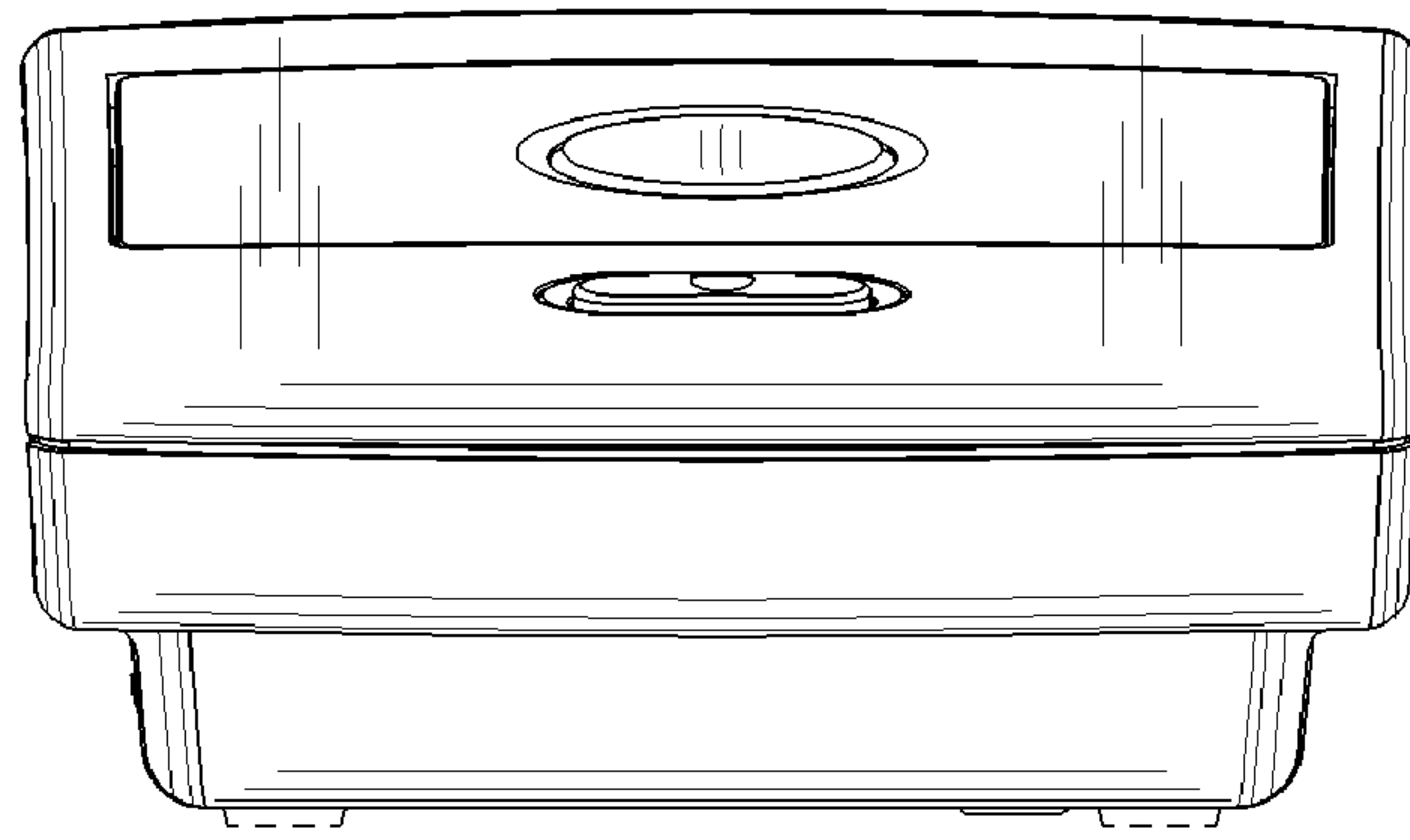




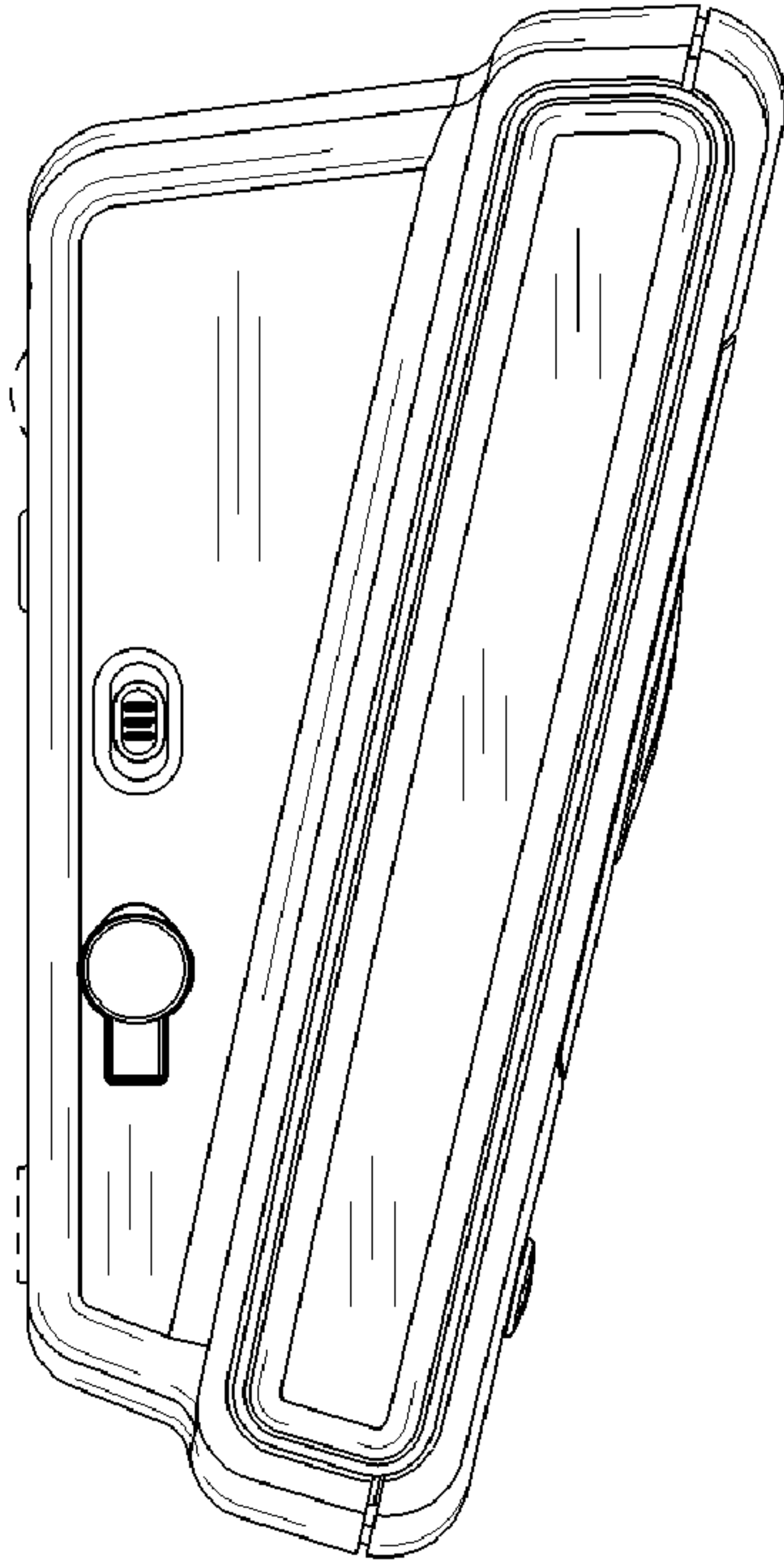
*FIG. 1*

*FIG. 2*

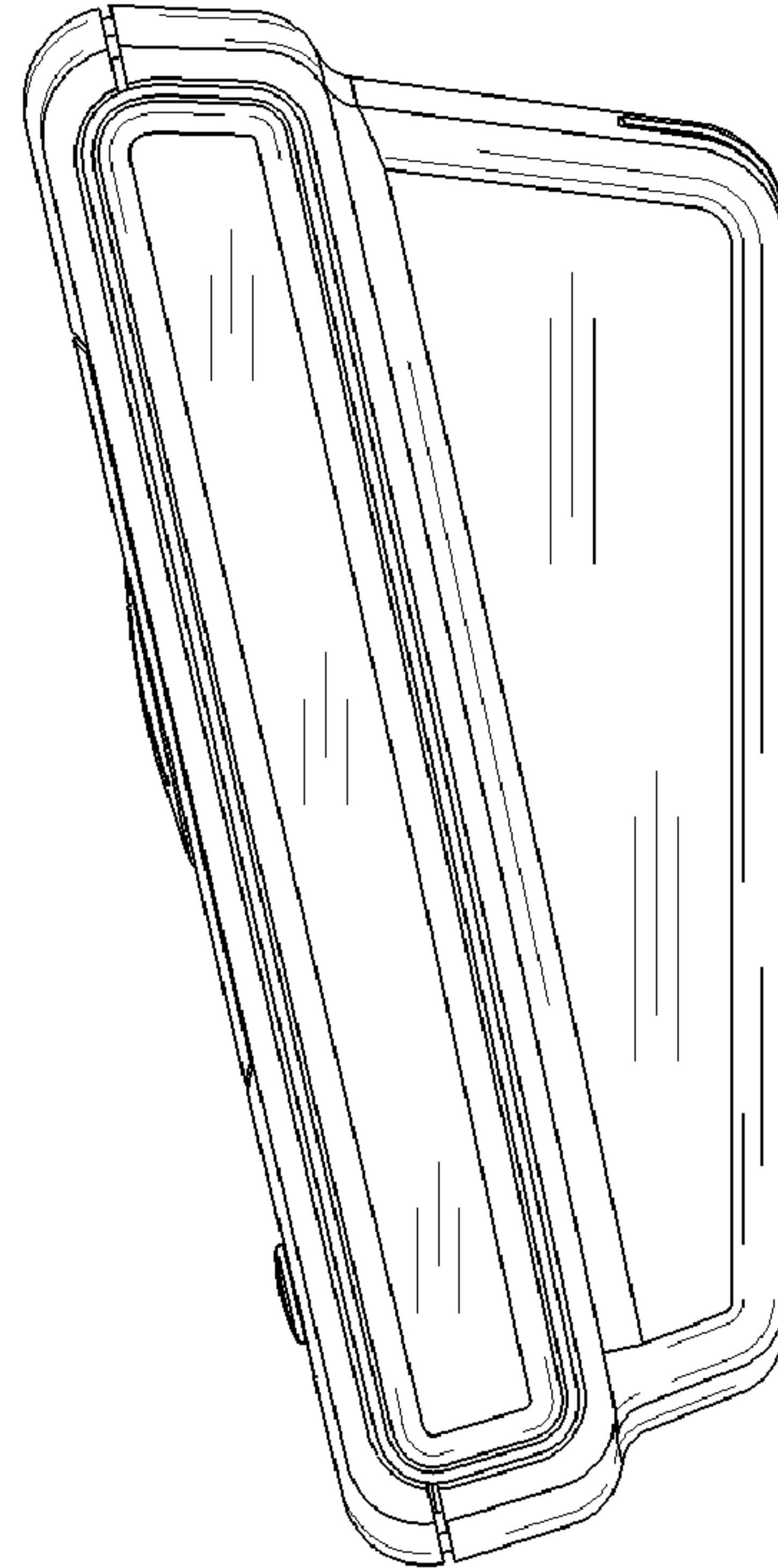




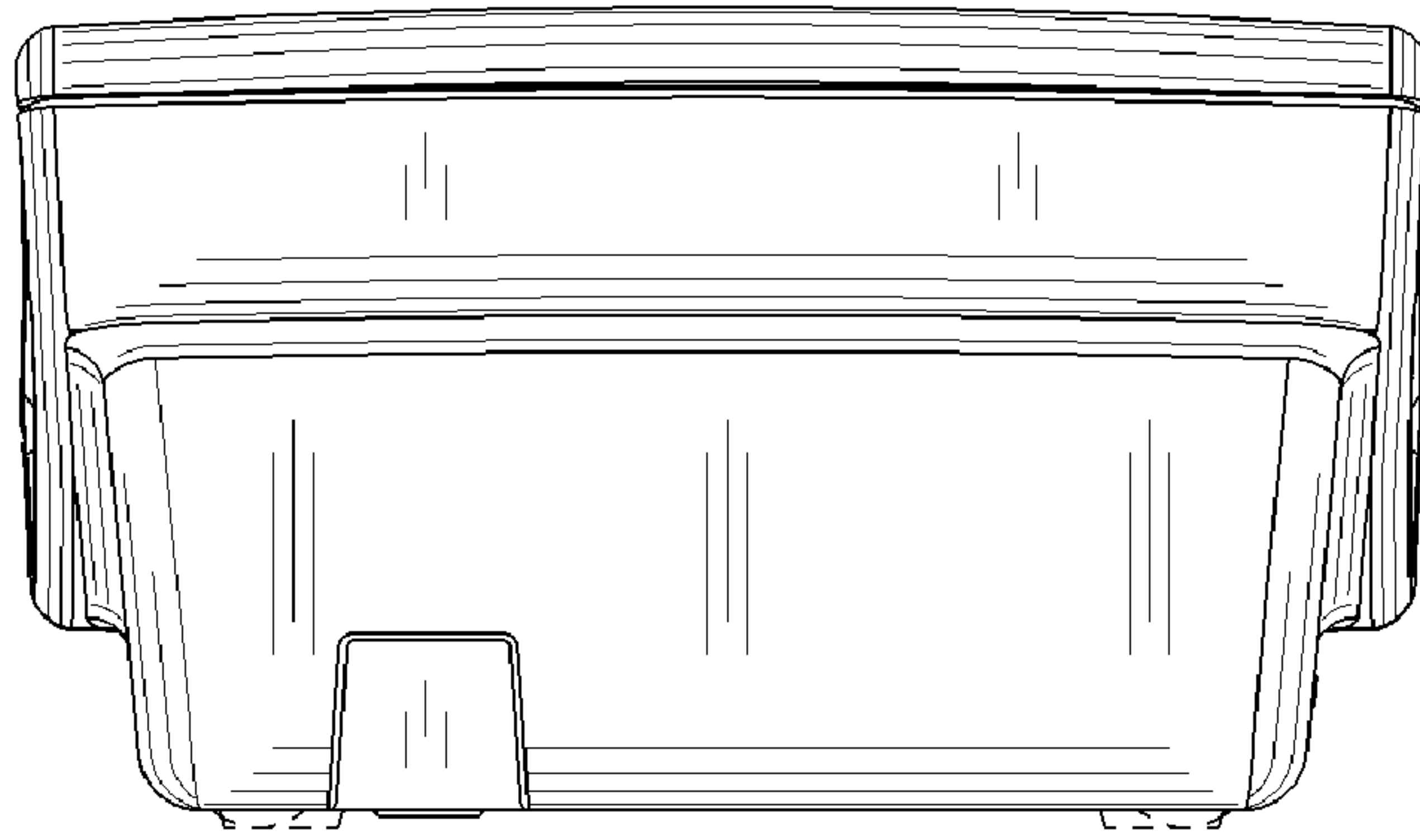
*FIG. 3*



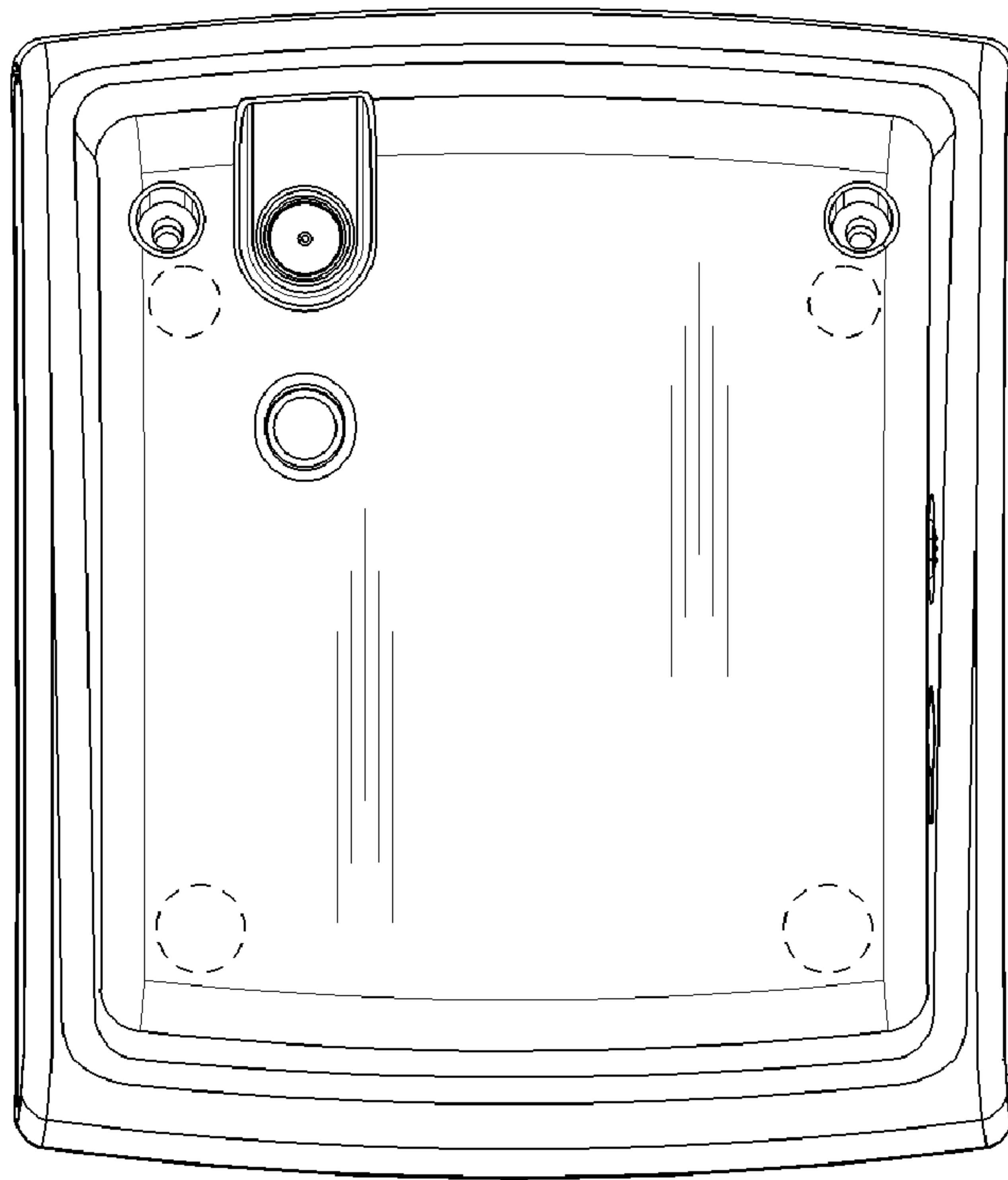
*FIG. 4*



*FIG. 5*



***FIG. 6***



***FIG. 7***