



US00D570818S

(12) **United States Design Patent**
Keenan

(10) **Patent No.:** **US D570,818 S**
(45) **Date of Patent:** **** Jun. 10, 2008**

(54) **CELL PHONE BOOTH**

(76) Inventor: **Julie A. Keenan**, 6945 Kingsland,
Shelby Township, MI (US) 48317

(**) Term: **14 Years**

(21) Appl. No.: **29/295,471**

(22) Filed: **Sep. 28, 2007**

Related U.S. Application Data

(62) Division of application No. 29/253,001, filed on Jan.
31, 2006, now Pat. No. Des. 557,247.

(51) **LOC (8) Cl.** **14-03**

(52) **U.S. Cl.** **D14/140.2; D14/143; D25/16**

(58) **Field of Classification Search** D14/138,
D14/140.2, 143, 299, 496; D25/16; 52/27.5,
52/27, 28

See application file for complete search history.

(56) **References Cited**

U.S. PATENT DOCUMENTS

D192,630 S *	4/1962	Sherron	D25/16
D270,726 S *	9/1983	Weiss	D14/143
D337,831 S *	7/1993	McNamara et al.	D25/16
D412,209 S *	7/1999	Hunt	D25/16
D432,661 S *	10/2000	Caya	D25/16
D439,577 S *	3/2001	Smith	D14/140.2

* cited by examiner

Primary Examiner—Terry A Wallace

(74) *Attorney, Agent, or Firm*—Harness, Dickey & Pierce
PLC

(57) **CLAIM**

The ornamental design for a cell phone booth, as shown and
described.

DESCRIPTION

FIG. 1 is a perspective view of a cell phone booth in
accordance with the present teachings.

FIG. 2 is similar to FIG. 1 and shows a door of the cell phone
booth open.

FIG. 3 is a front view of the cell phone booth of FIG. 1.

FIG. 4 is a side view of the cell phone booth of FIG. 1.

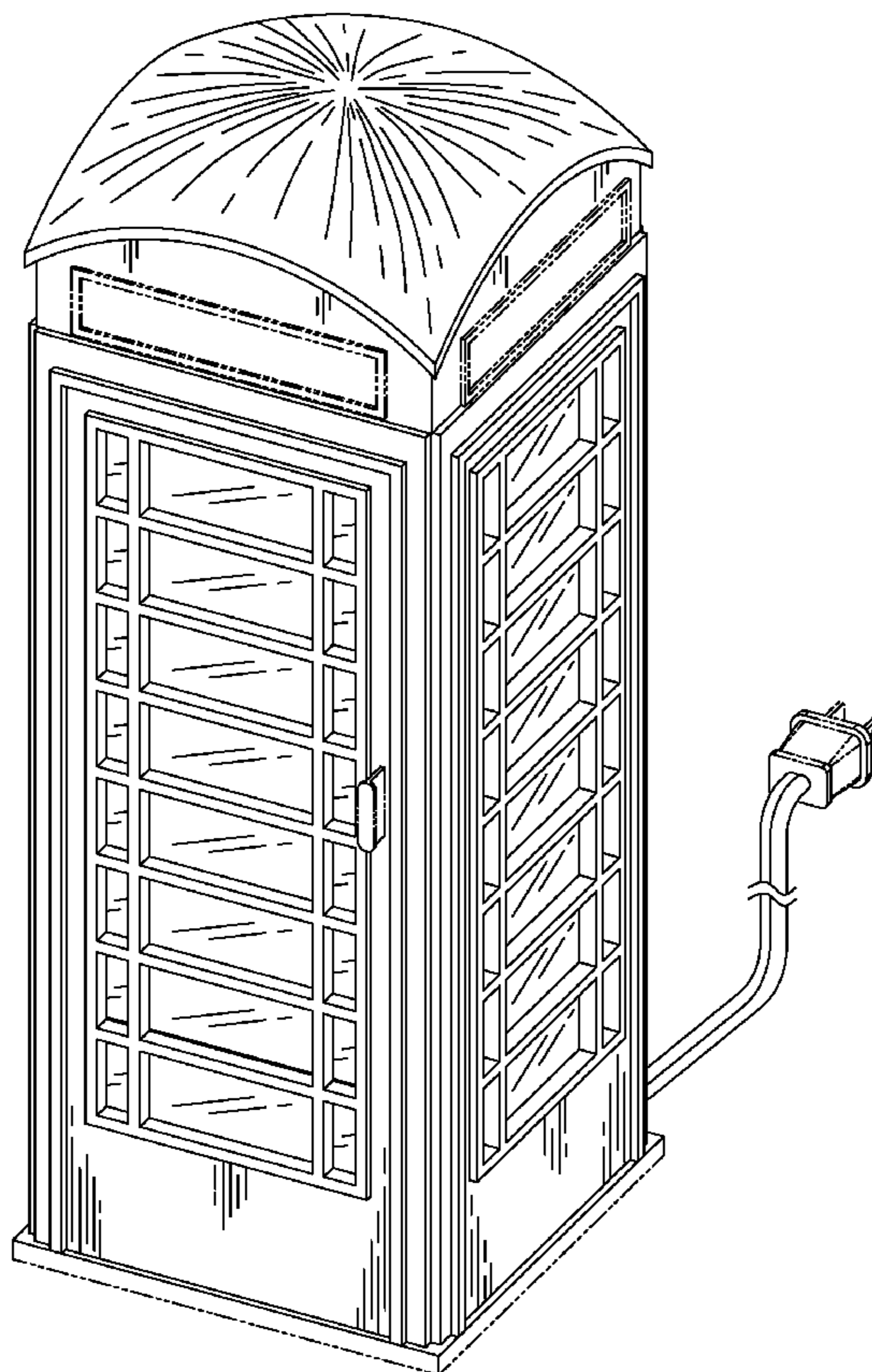
FIG. 5 is a side view of the cell phone booth of FIG. 1 and
shows the door open.

FIG. 6 is a rear view of the cell phone booth; and,

FIG. 7 is a top view of the cell phone booth with the door
open, a bottom view is excluded as the bottom is flat and
devoid of surface ornamentation.

The broken lines are for illustrative purposes only and form
no part of the claimed design.

1 Claim, 7 Drawing Sheets



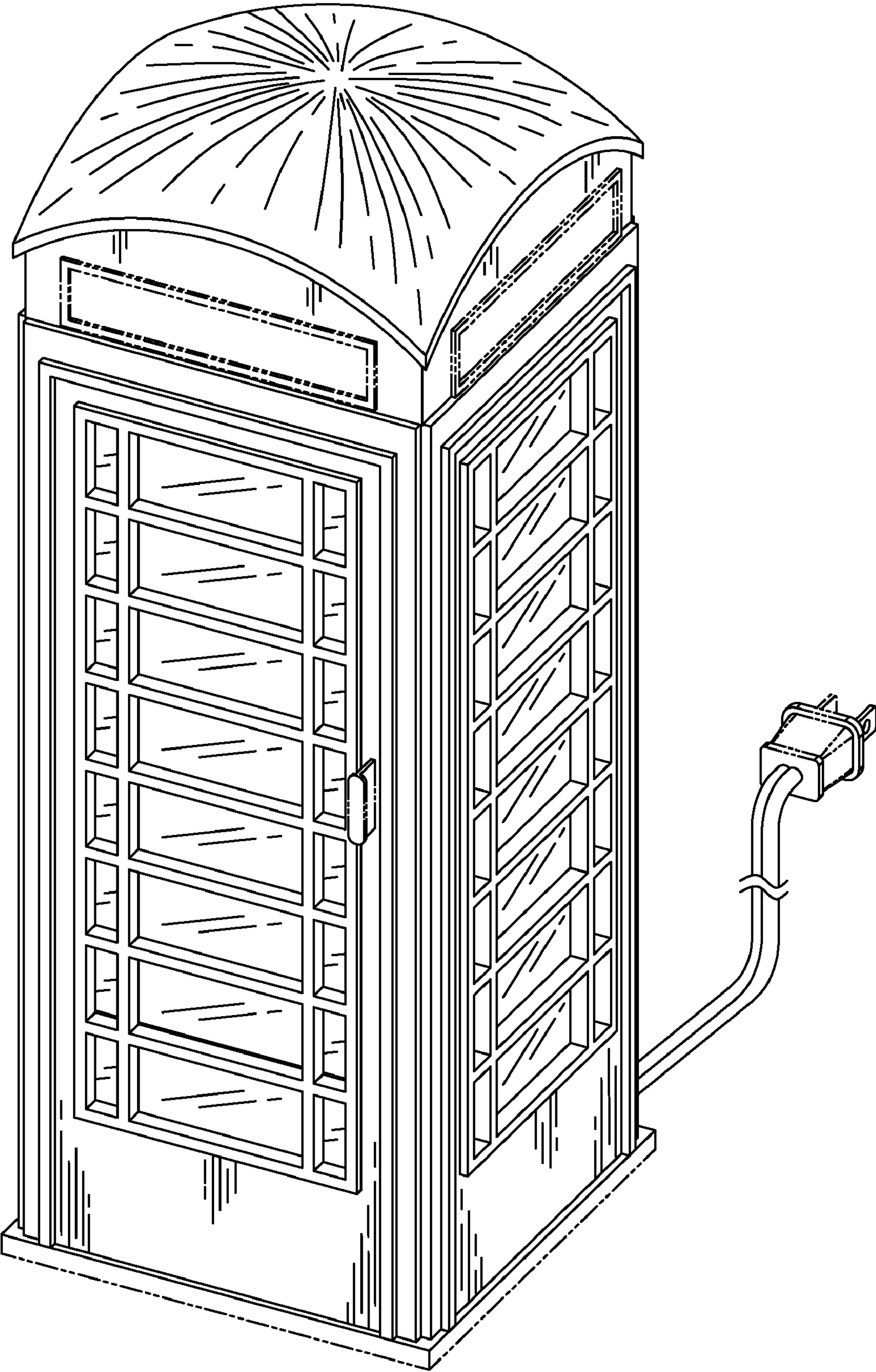


FIG 1

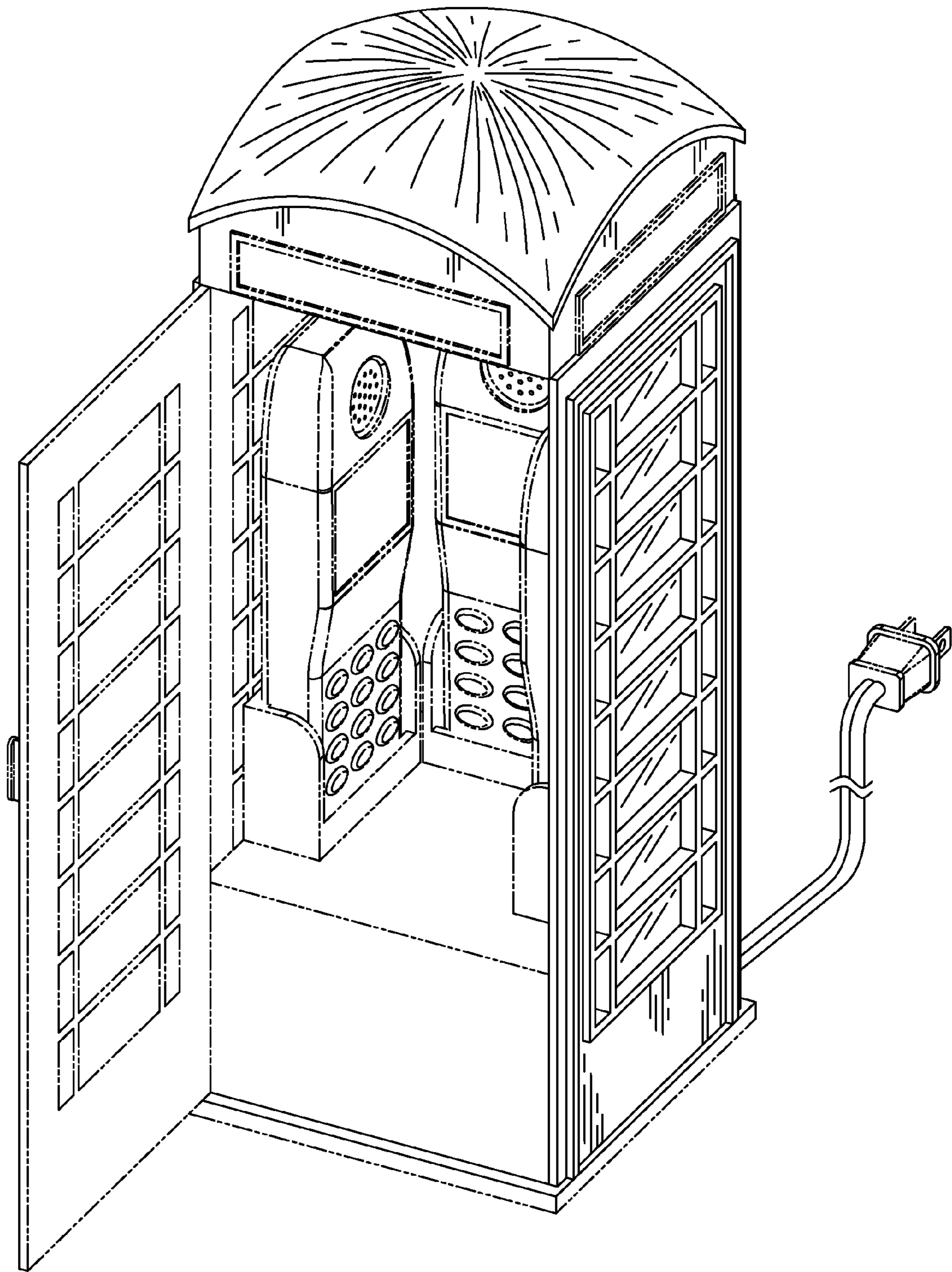


FIG 2

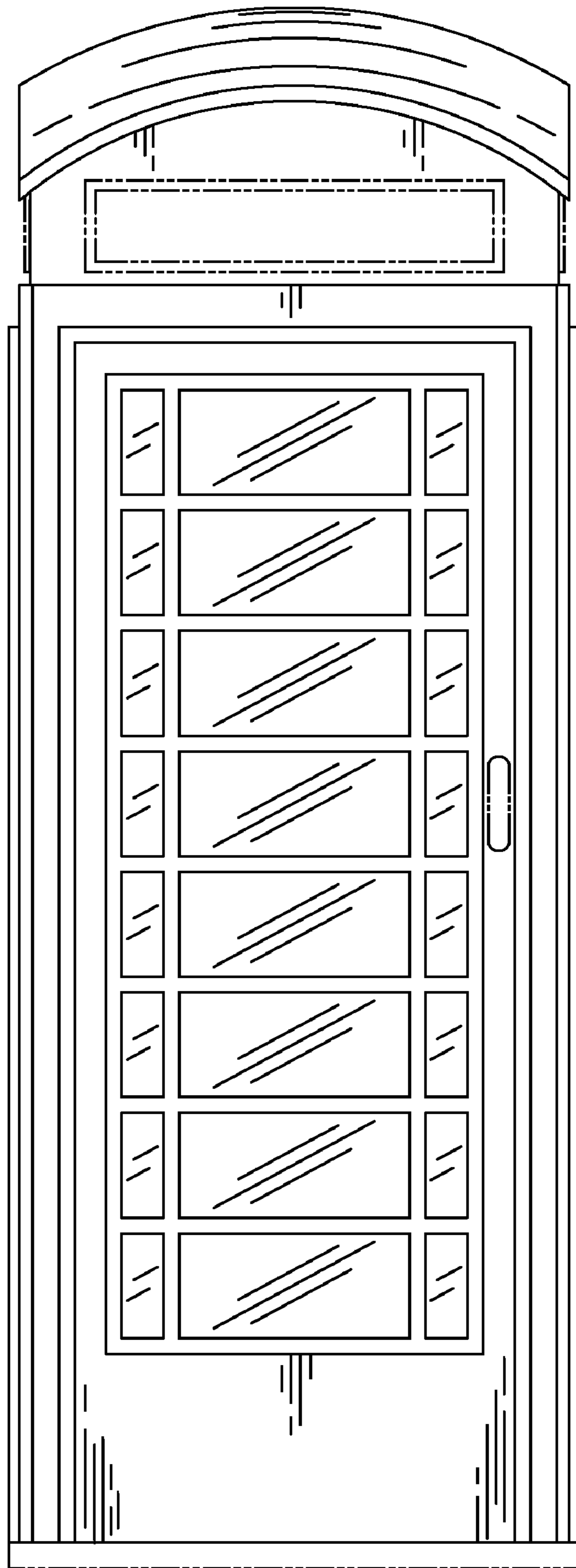


FIG 3

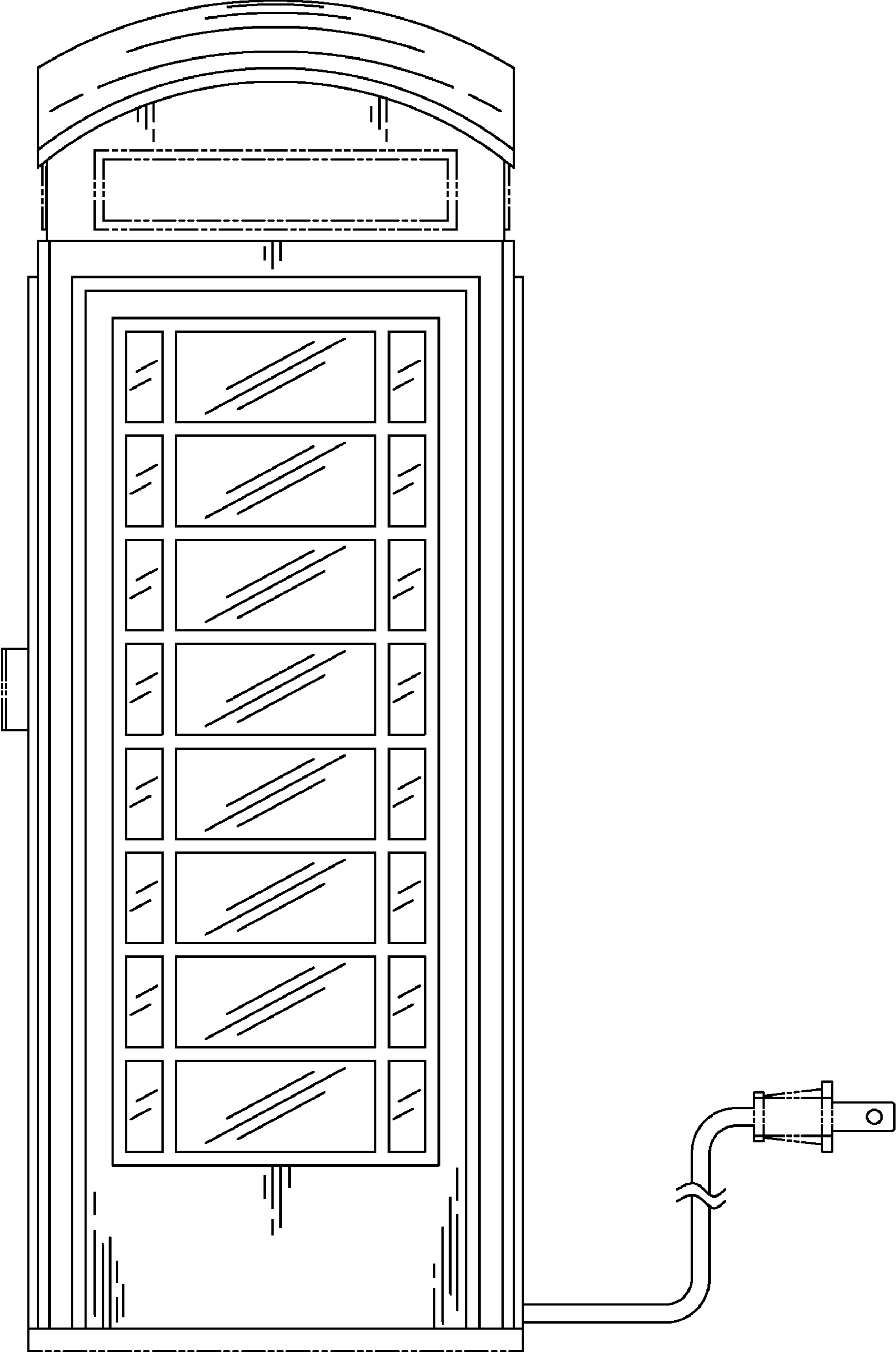


FIG 4

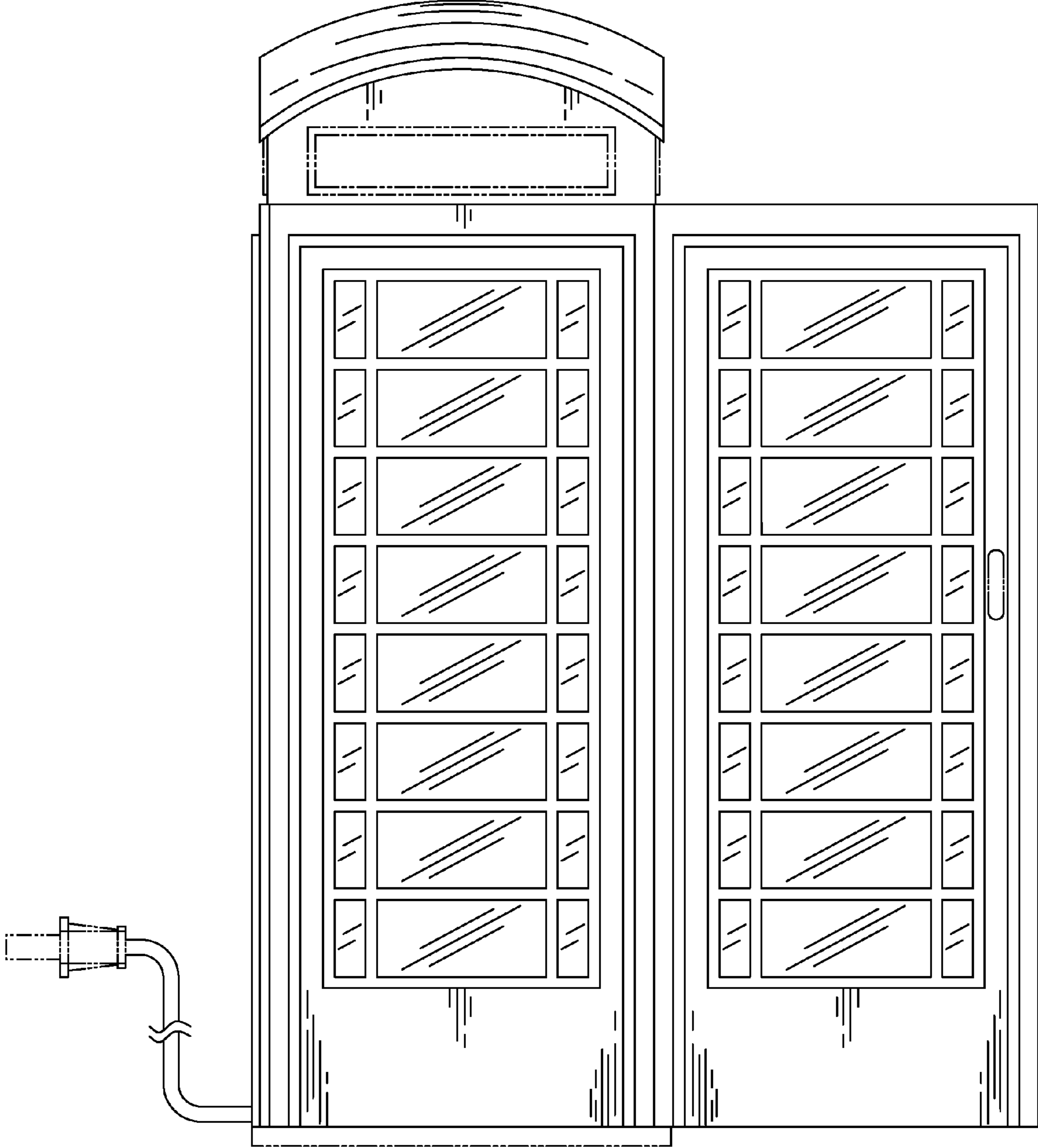


FIG 5

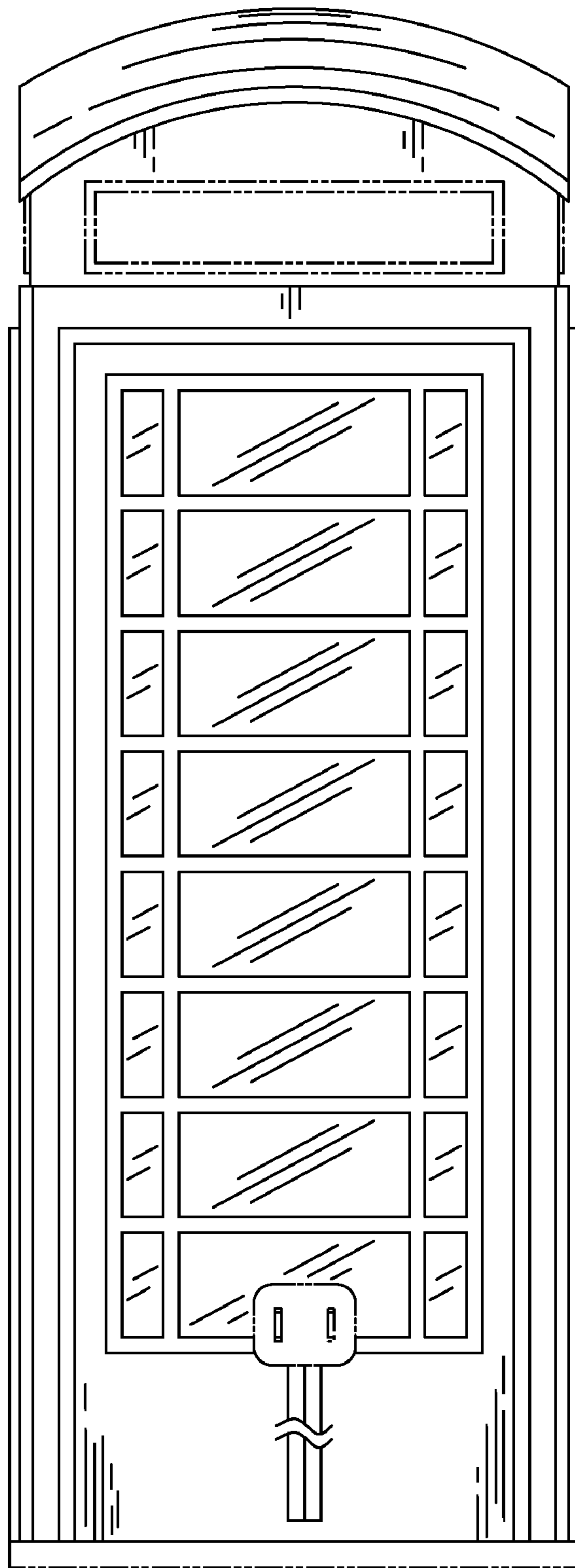


FIG 6

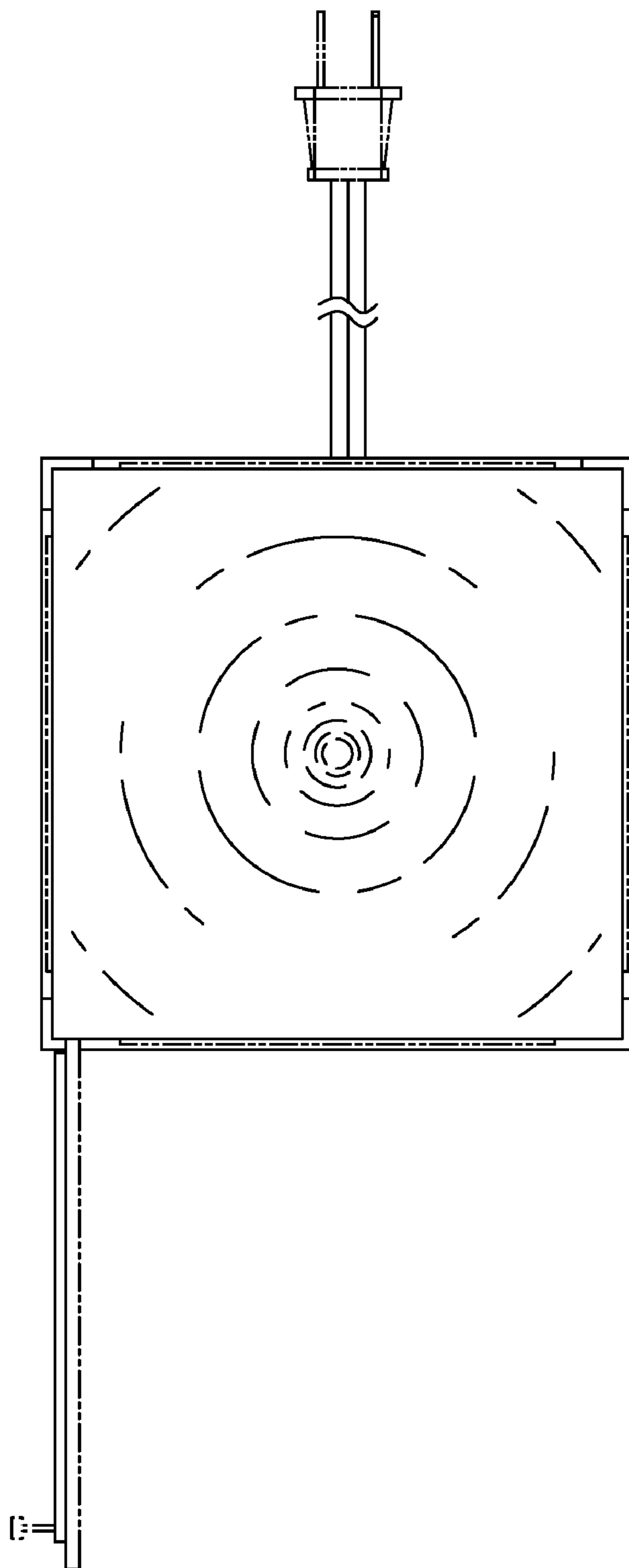


FIG 7