



US00D570815S

(12) **United States Design Patent**  
**Son et al.**

(10) **Patent No.:** **US D570,815 S**  
(45) **Date of Patent:** **\*\* Jun. 10, 2008**

(54) **MOBILE PHONE**

(75) Inventors: **Hyun-Joo Son**, Seoul (KR); **Joon-Suh Kim**, Anyang-si (KR); **Gee-Hong Yoon**, Seongnam-si (KR)

(73) Assignee: **Samsung Electronics Co., Ltd.**, Suwon-Si (KR)

(\*\*) Term: **14 Years**

(21) Appl. No.: **29/287,450**

(22) Filed: **Aug. 9, 2007**

(30) **Foreign Application Priority Data**

Jun. 13, 2007 (KR) ..... 30-2007-0025497

(51) **LOC (8) Cl.** ..... **14-03**

(52) **U.S. Cl.** ..... **D14/138**

(58) **Field of Classification Search** ..... D14/137, D14/138, 147, 191, 218, 247-248, 341-347, D14/496; D5/40; D10/65, 78, 104; D13/168; D18/7; 455/90.3, 556.1, 566, 575.1, 575.3, 455/575.4

See application file for complete search history.

(56) **References Cited**

**U.S. PATENT DOCUMENTS**

- D124,575 S \* 1/1941 Schwartz ..... D5/40
- D125,498 S \* 2/1941 Roth ..... D5/40
- D466,504 S \* 12/2002 Masuda et al. .... D14/346
- D511,342 S \* 11/2005 Chien ..... D14/346
- D525,609 S \* 7/2006 Kim et al. .... D14/138
- D529,887 S \* 10/2006 Chung et al. .... D14/138
- D531,610 S \* 11/2006 Kim et al. .... D14/138
- D532,425 S \* 11/2006 Kim ..... D14/496
- D534,516 S \* 1/2007 Lheem ..... D14/138
- D535,275 S \* 1/2007 Kim et al. .... D14/138
- D536,326 S \* 2/2007 Kim et al. .... D14/138
- D536,691 S \* 2/2007 Park ..... D14/138
- D544,460 S \* 6/2007 Yau ..... D14/138
- D548,712 S \* 8/2007 Kim et al. .... D14/138
- D549,204 S \* 8/2007 Cho ..... D14/138

- D549,205 S \* 8/2007 Cho ..... D14/138
- 7,252,511 B2 \* 8/2007 Santos et al. .... 439/10
- D551,201 S \* 9/2007 Kim et al. .... D14/138
- D551,646 S \* 9/2007 Kim et al. .... D14/138
- D554,097 S \* 10/2007 Lee ..... D14/138
- D559,220 S \* 1/2008 Lee et al. .... D14/138
- 2005/0009556 A1 \* 1/2005 Hickey et al. .... 455/550.1
- 2006/0205438 A1 \* 9/2006 Jung ..... 455/566
- 2007/0232243 A1 \* 10/2007 Chen ..... 455/90.3
- 2007/0232370 A1 \* 10/2007 Kim ..... 455/575.4
- 2007/0293285 A1 \* 12/2007 Kang et al. .... 455/575.1

**FOREIGN PATENT DOCUMENTS**

- WO DM/068932 \* 3/2007
- WO DM/069443 \* 10/2007

**OTHER PUBLICATIONS**

NEC N500, announced 4<sup>th</sup> quarter 2004, [online], [retrieved on Feb. 20, 2007]. Retrieved from Internet ,<URL: <http://www.gsmarena.com>>.\*

(Continued)

*Primary Examiner*—Jeffrey D. Asch  
*Assistant Examiner*—Bridget L Eland  
(74) *Attorney, Agent, or Firm*—Staas & Halsey LLP

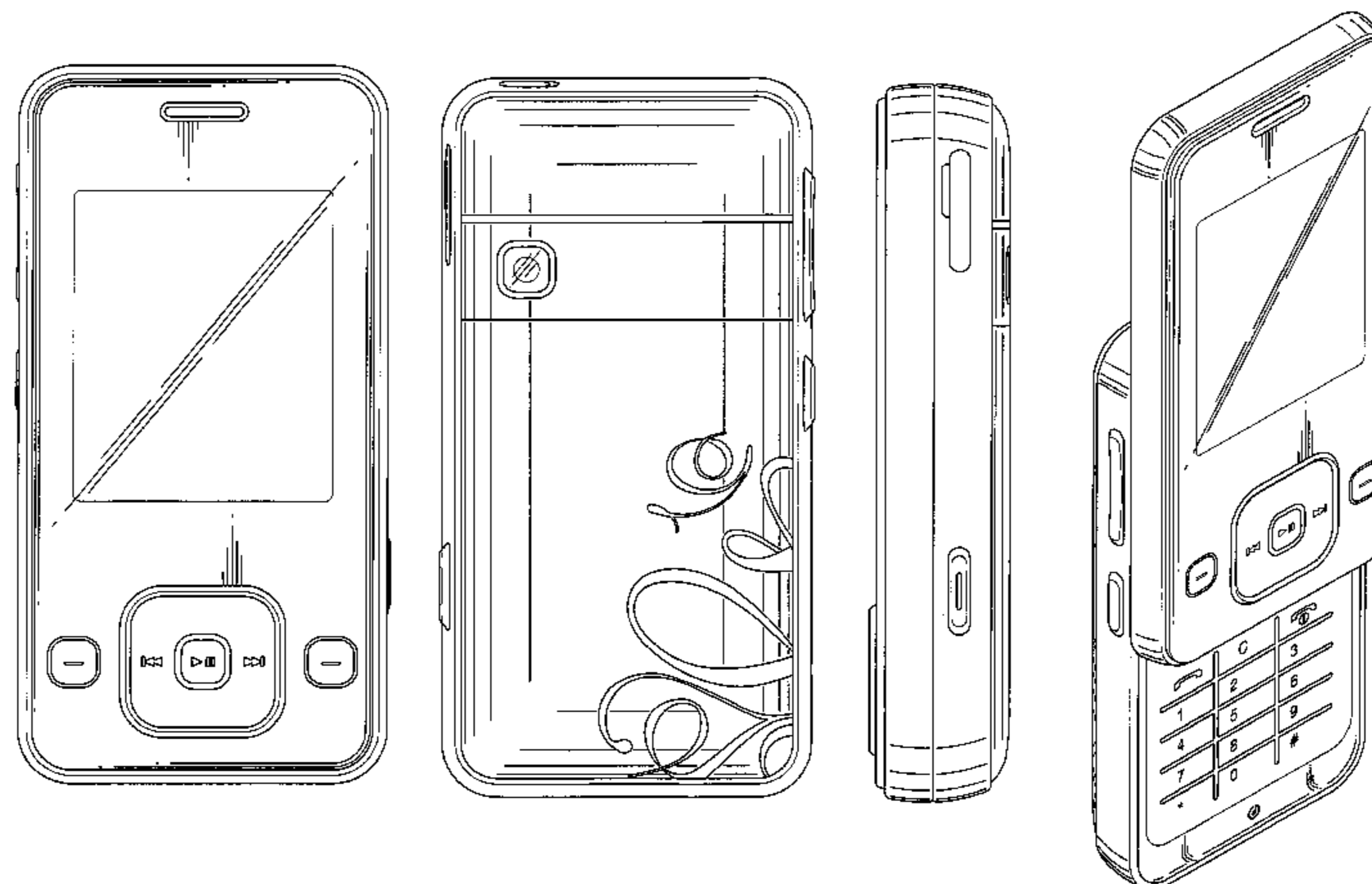
(57) **CLAIM**

The ornamental design for a mobile phone, as shown and described.

**DESCRIPTION**

FIG. 1 is a perspective view of a mobile phone;  
FIG. 2 is a front view of the mobile phone of FIG. 1;  
FIG. 3 is a rear view of the mobile phone of FIG. 1;  
FIG. 4 is left-side of the mobile phone of FIG. 1;  
FIG. 5 is right-side of the mobile phone of FIG. 1;  
FIG. 6 is top plan view of the mobile phone of FIG. 1;  
FIG. 7 is bottom plan view of the mobile phone of FIG. 1;  
and,  
FIG. 8 is an open perspective view of the mobile phone of FIG. 1.

**1 Claim, 6 Drawing Sheets**



OTHER PUBLICATIONS

LG KG800, announced Mar. 2006, [online], [retrieved on Feb. 20, 2007]. Retrieved from Internet ,<URL: <http://www.gsmarena.com>>.\*

HTC P3600, announced Sep. 2006, [online], [retrieved on Feb. 20, 2007]. Retrieved from Internet ,<URL: <http://www.gsmarena.com>>.\*

Asus P535, announced Nov. 2006, [online], [retrieved on Feb. 20, 2007]. Retrieved from Internet ,<URL: <http://www.gsmarena.com>>.\*

Samsung F700, announced Feb. 2007, [online], [retrieved on Feb. 8, 2007]. Retrieved from Internet ,<URL: <http://www.gsmarena.com>>.\*

Sony Ericsson S500, announced May 2007, [online], [retrieved on May 18, 2007]. Retrieved from Internet ,<URL: <http://www.gsmarena.com>>.\*

Samsung F250, announced Aug. 2007, [online], [retrieved on Dec. 13, 2007]. Retrieved from Internet ,<URL: <http://www.gsmarena.com>>.\*

LG KU380, announced Nov. 2007, [online], [retrieved on Jan. 18, 2008]. Retrieved from Internet ,<URL: <http://www.gsmarena.com>>.\*

\* cited by examiner

FIG. 1

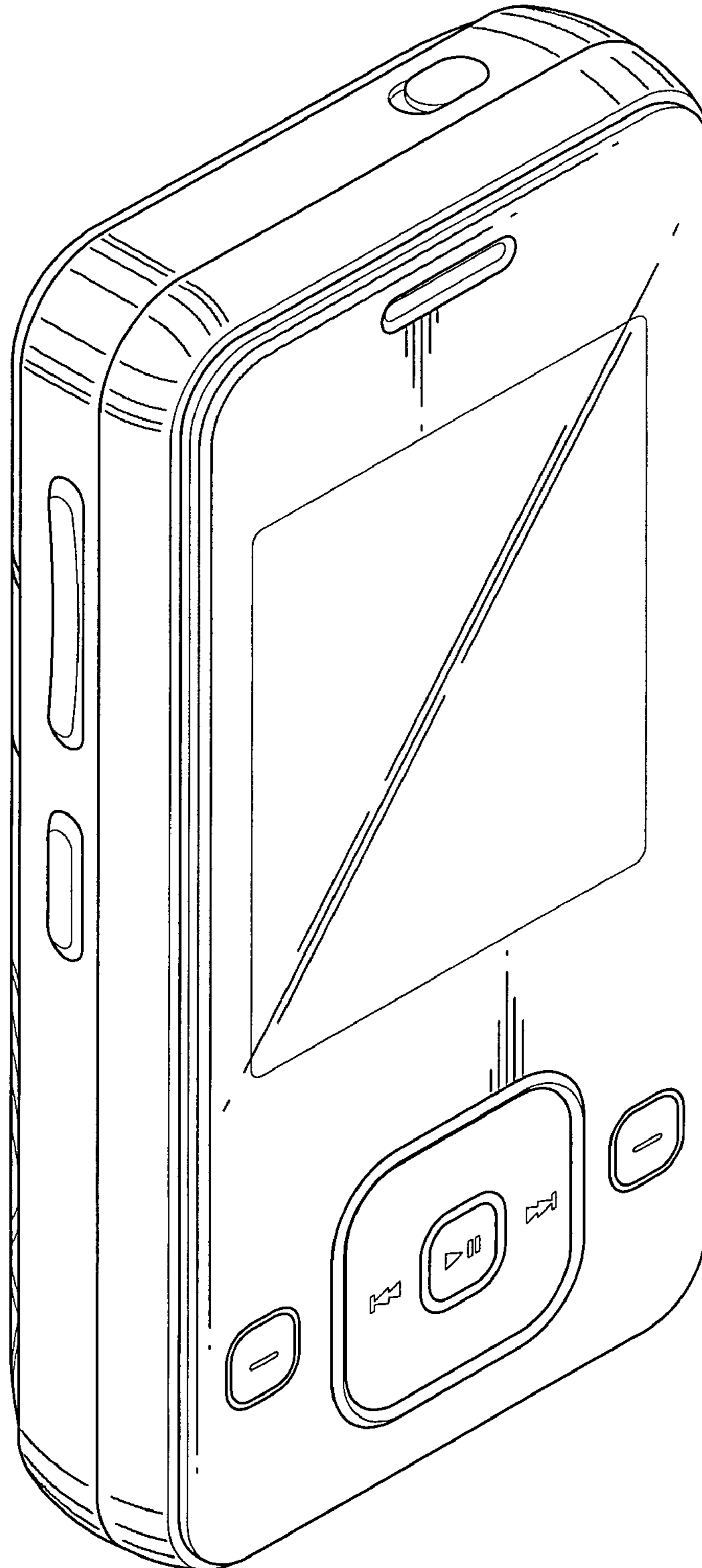


FIG. 2

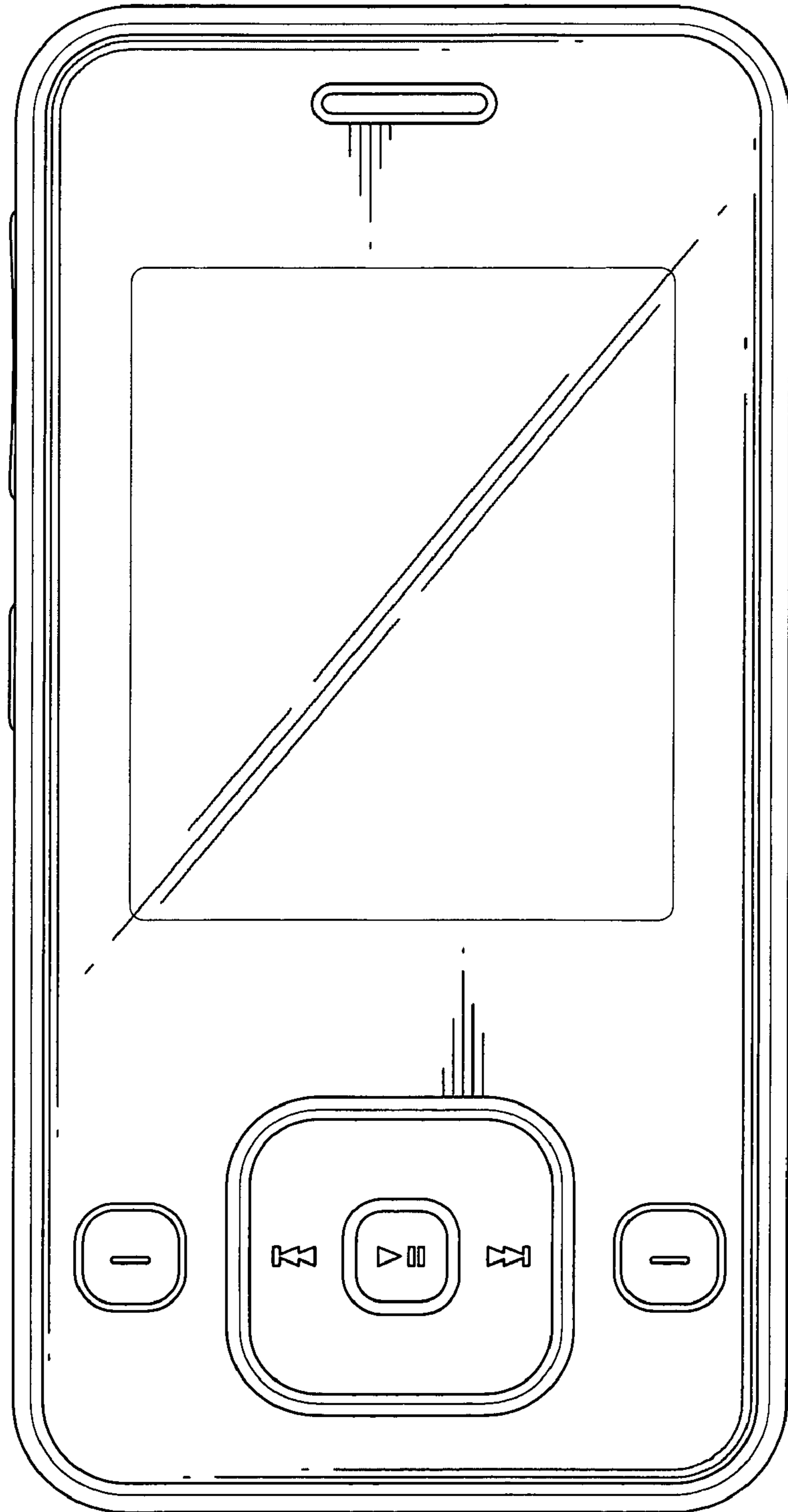


FIG.3

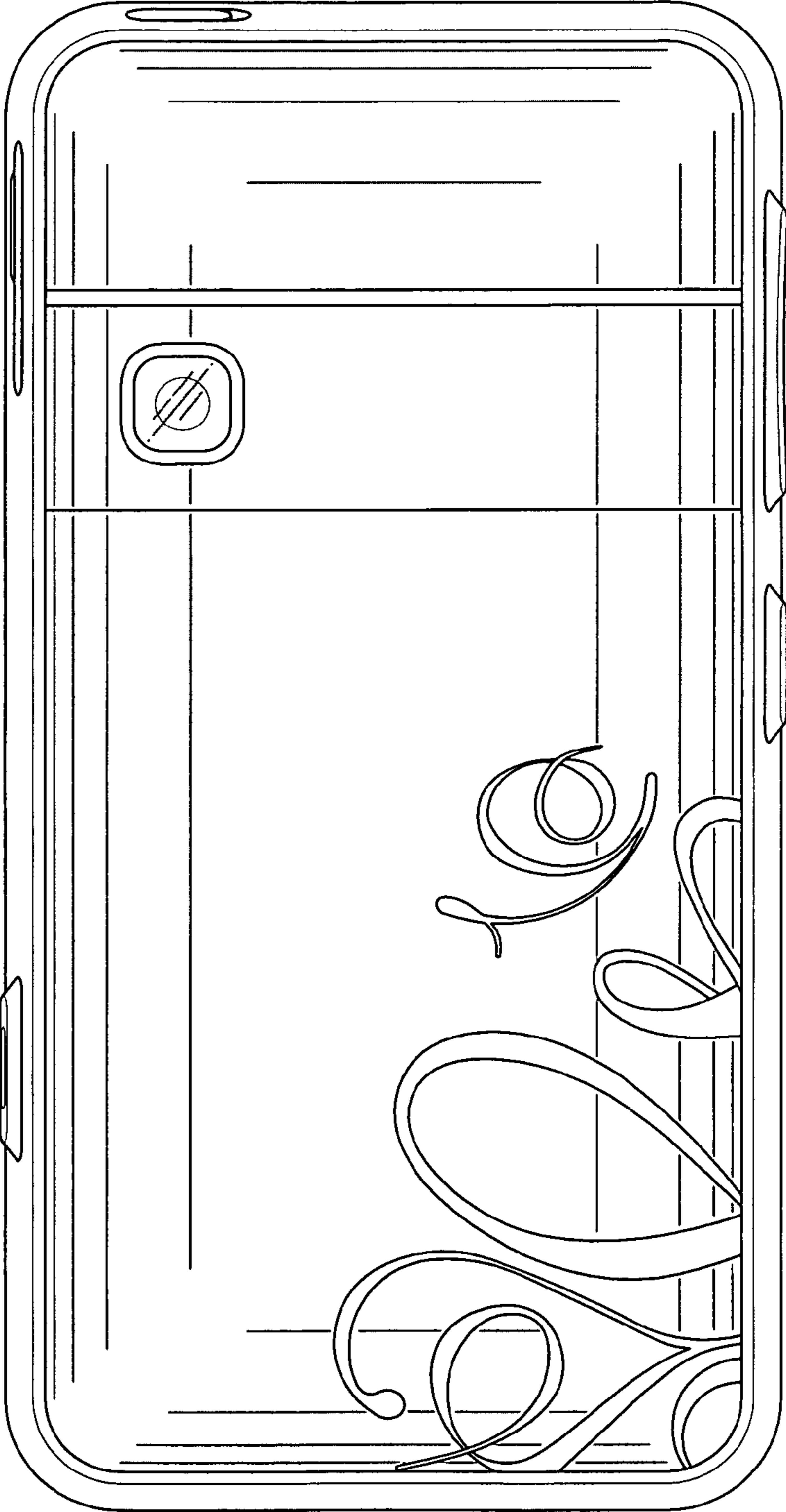




FIG. 4

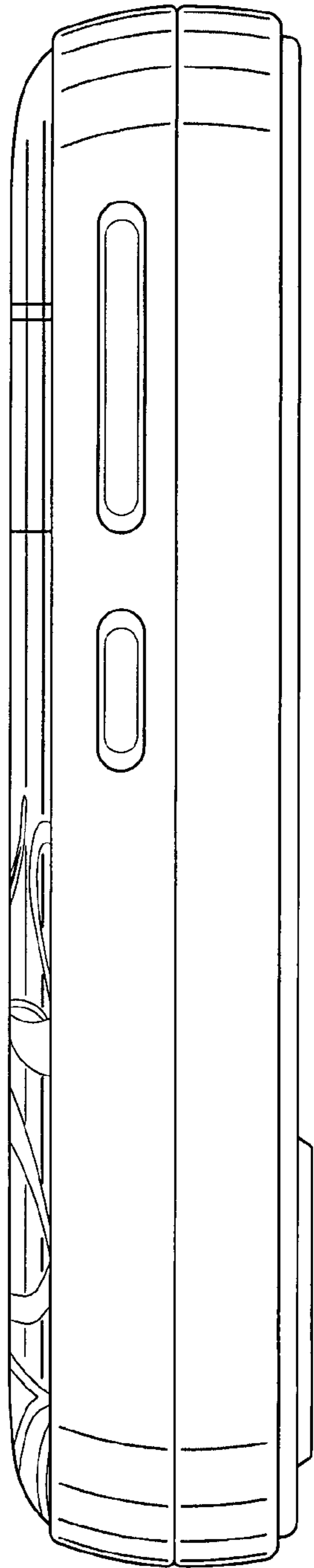


FIG. 5

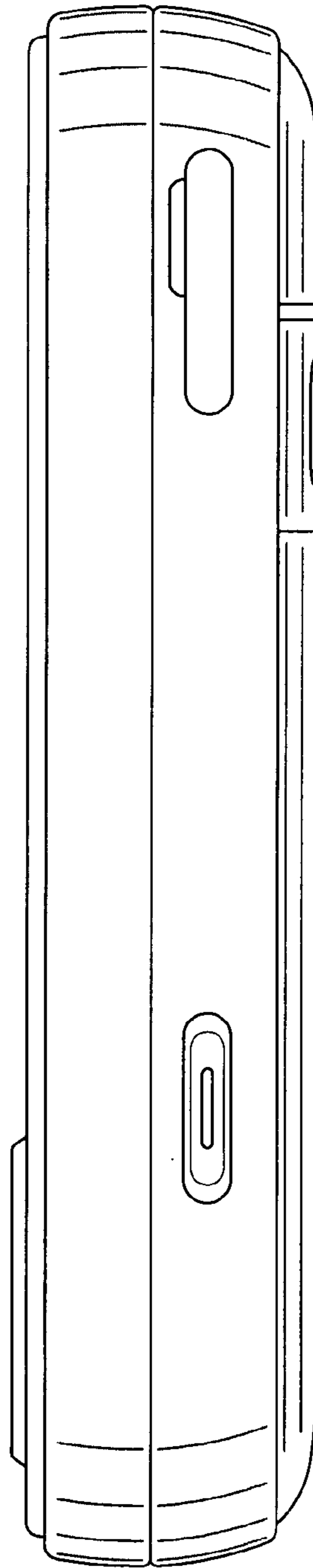


FIG.6

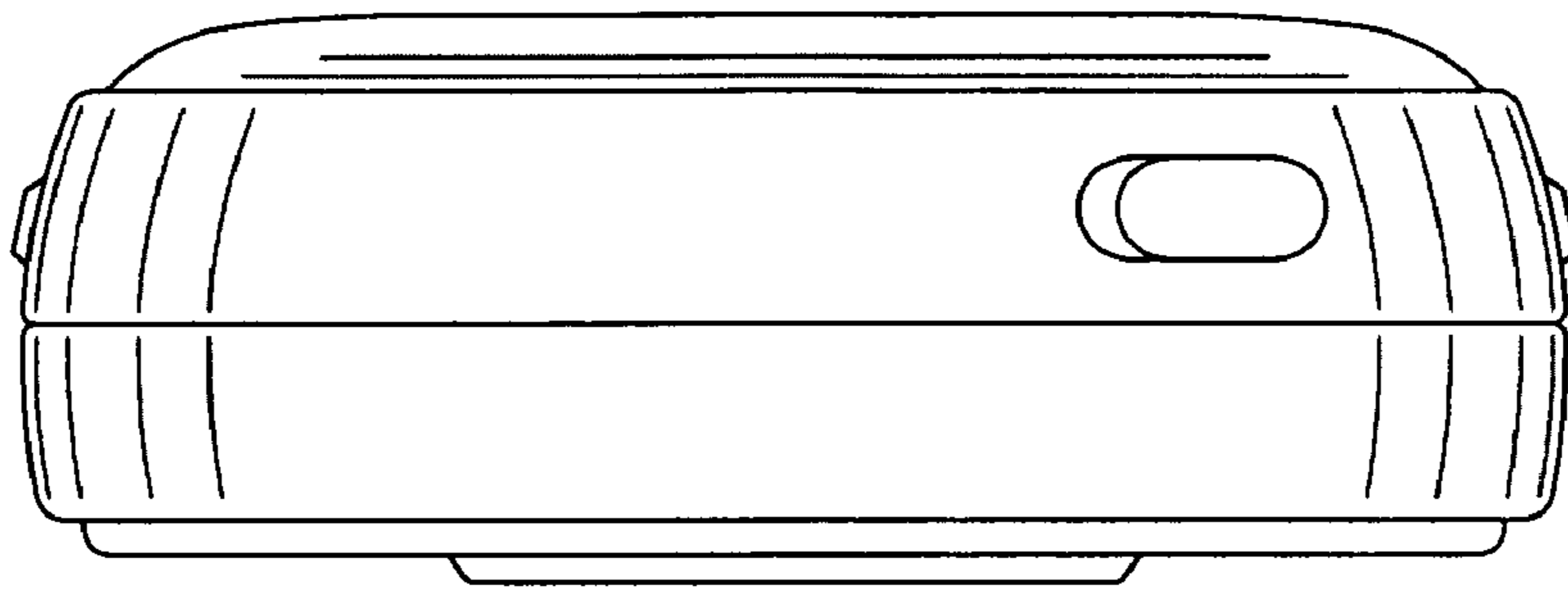


FIG.7

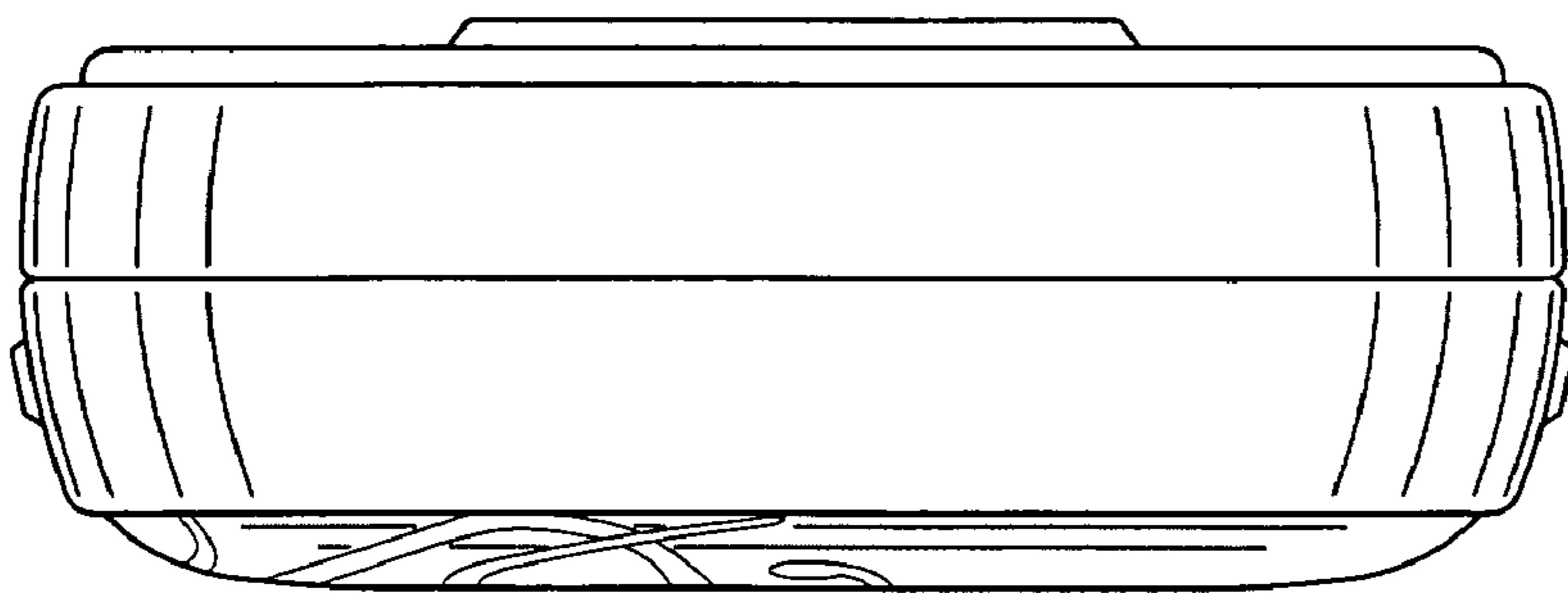


FIG. 8

