

US00D570807S

(12) **United States Design Patent**
Lin

(10) **Patent No.:** **US D570,807 S**

(45) **Date of Patent:** **** Jun. 10, 2008**

(54) **TELEVISION SET**

(75) Inventor: **Roger Lin**, Taipei (TW)

(73) Assignee: **Hannspree, Inc.**, Taipei (TW)

(**) Term: **14 Years**

(21) Appl. No.: **29/287,764**

(22) Filed: **Sep. 17, 2007**

(30) **Foreign Application Priority Data**

Jul. 16, 2007 (TW) 96303925

(51) **LOC (8) Cl.** **14-03**

(52) **U.S. Cl.** **D14/126**

(58) **Field of Classification Search** D14/125-134,
D14/239, 371, 136, 374-377, 440, 450, 448,
D14/336, 342; 312/7.2; 348/836, 838, 180,
348/184, 325, 739; 341/12; 248/917-924,
248/465; 345/104, 133, 156, 168, 87, 173;
720/605, 669, 600, 655; 369/99, 197; 455/344,
455/347; D21/329, 515, 577, 622, 333, 433,
D21/448, 452, 450, 331; D6/477, 479; 273/148 B;
446/484, 175, 356; D10/15, 26
See application file for complete search history.

(56) **References Cited**

U.S. PATENT DOCUMENTS

5,072,998 A * 12/1991 Oh 312/7.2
5,464,214 A * 11/1995 Griffin 273/148 B
6,159,101 A * 12/2000 Simpson 463/46
D456,049 S * 4/2002 Hood D21/515
6,558,225 B1 * 5/2003 Rehkemper et al. 446/484

D490,427 S * 5/2004 Chiu D14/371
D495,705 S * 9/2004 Borsboom D14/371
D500,099 S * 12/2004 Gioffre D21/627
D518,005 S * 3/2006 Hoehn D14/126
D519,473 S * 4/2006 Hoehn D14/126
D520,473 S * 5/2006 Hoehn et al. D14/126
D521,960 S * 5/2006 Hoehn et al. D14/129
D522,478 S * 6/2006 Hoehn D14/126
D523,410 S * 6/2006 Lin D14/126
D524,262 S * 7/2006 Hoehn D14/126
D531,603 S * 11/2006 Padain D14/126
D533,850 S * 12/2006 Hoehn et al. D14/126
2003/0045203 A1 * 3/2003 Sabe et al. 446/356

* cited by examiner

Primary Examiner—Raphael Barkai

(74) *Attorney, Agent, or Firm*—Birch, Stewart, Kolasch & Birch, LLP

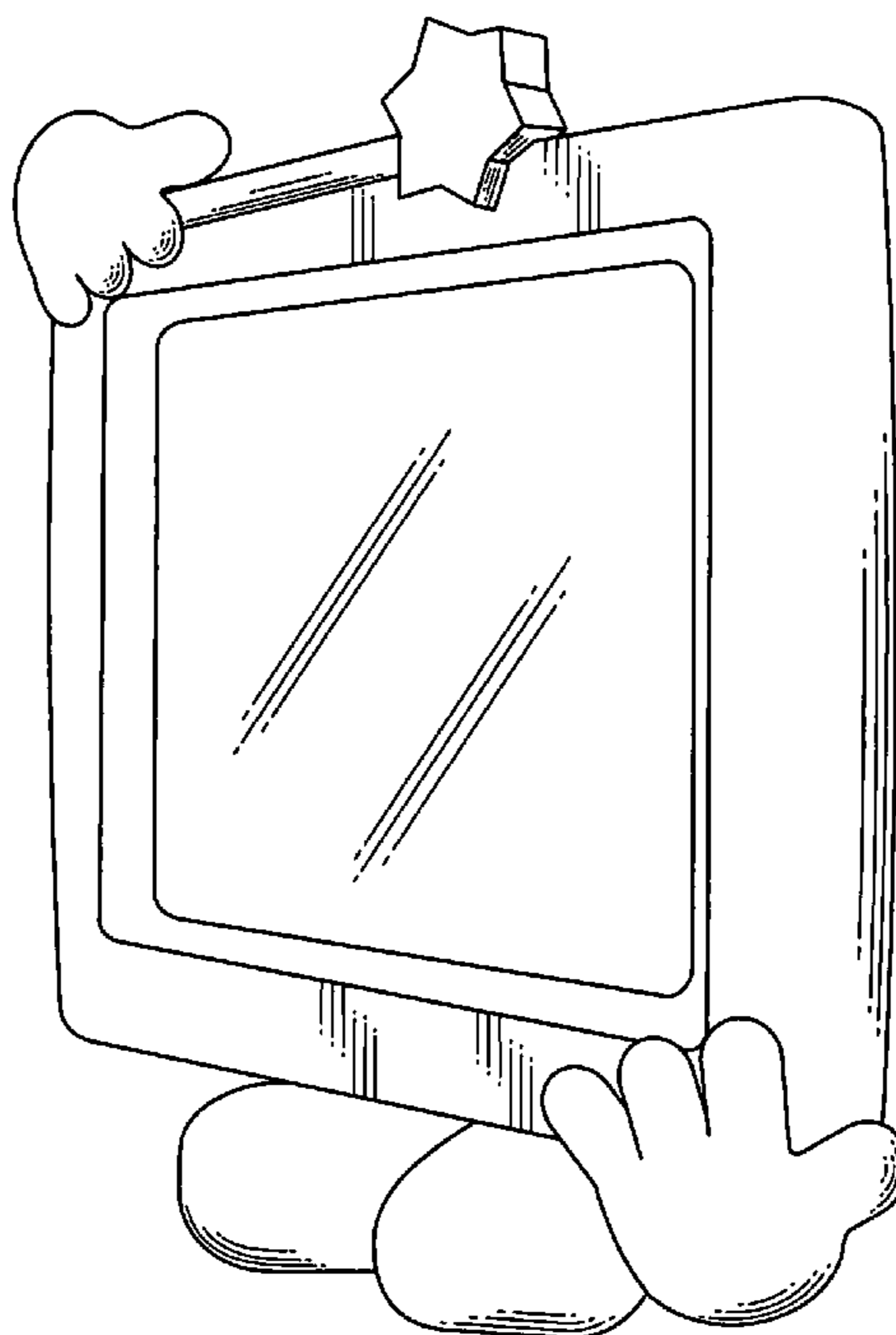
(57) **CLAIM**

The ornamental design for a television set, as shown and described.

DESCRIPTION

FIG. 1. is a perspective view thereof;
FIG. 2. is a front elevational view thereof;
FIG. 3. is a rear elevational view thereof;
FIG. 4. is a left side elevational view thereof;
FIG. 5. is a right side elevational view thereof;
FIG. 6. is a top plan view thereof; and,
FIG. 7. is a bottom plan view thereof.

1 Claim, 7 Drawing Sheets



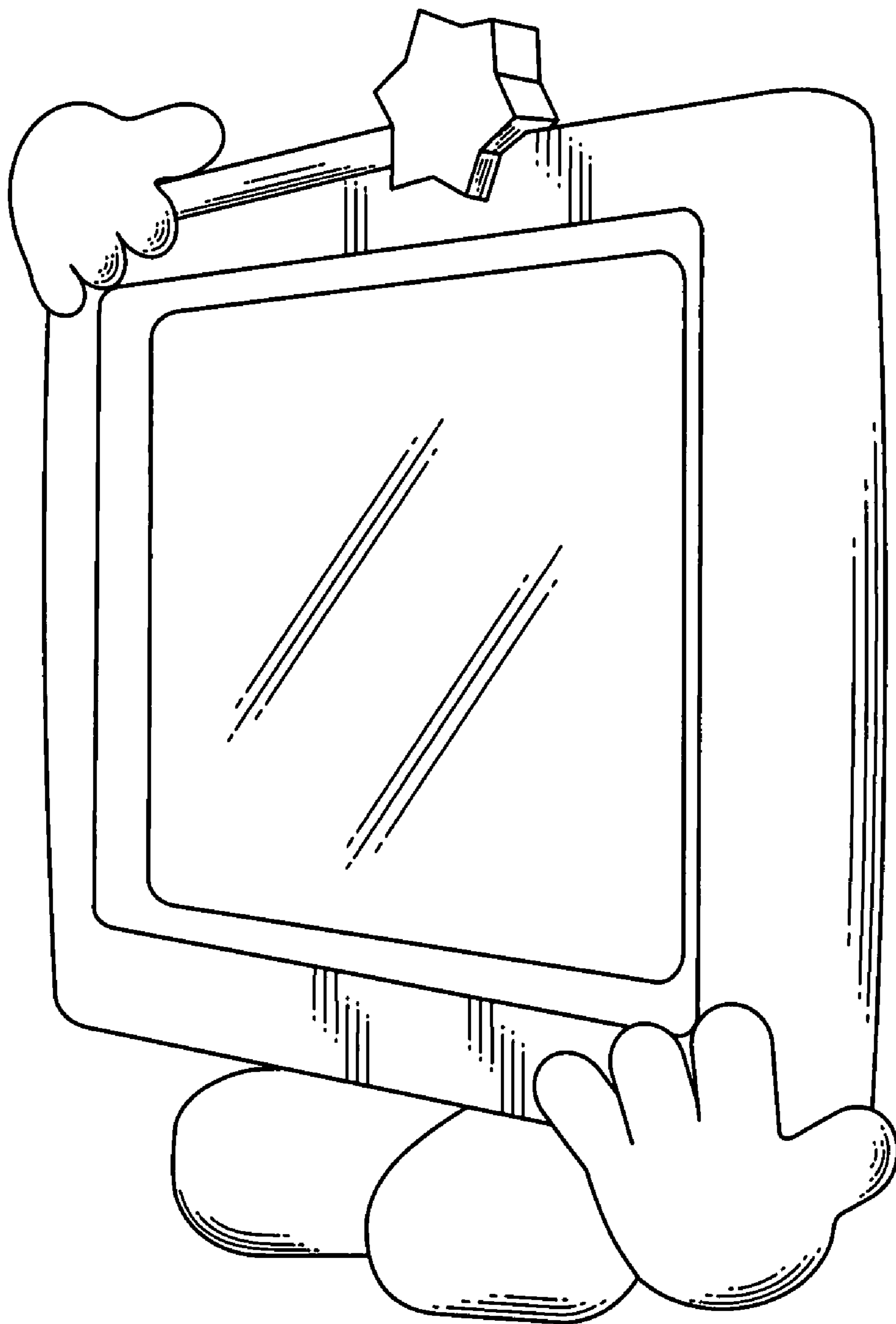


FIG. 1

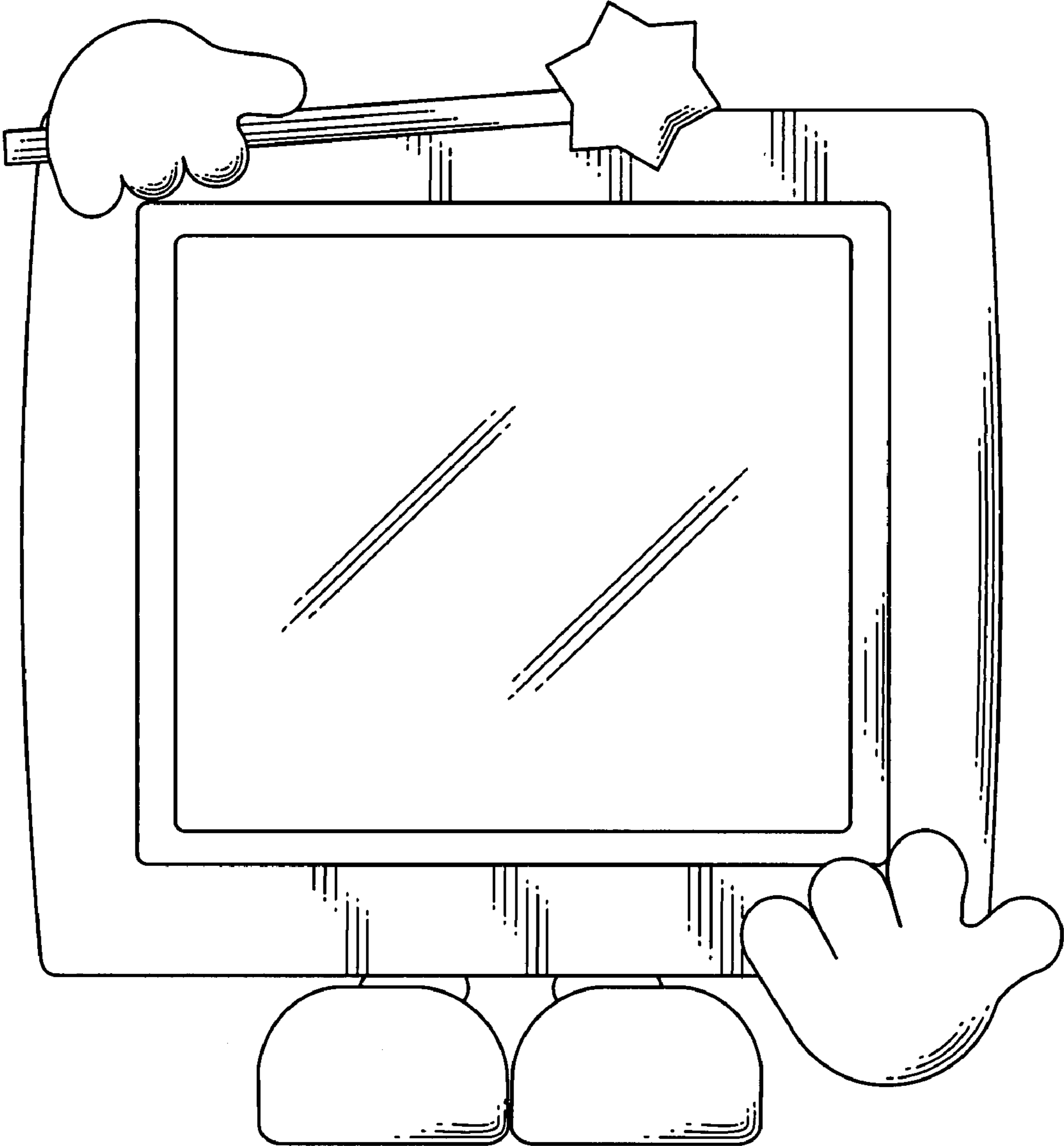


FIG. 2

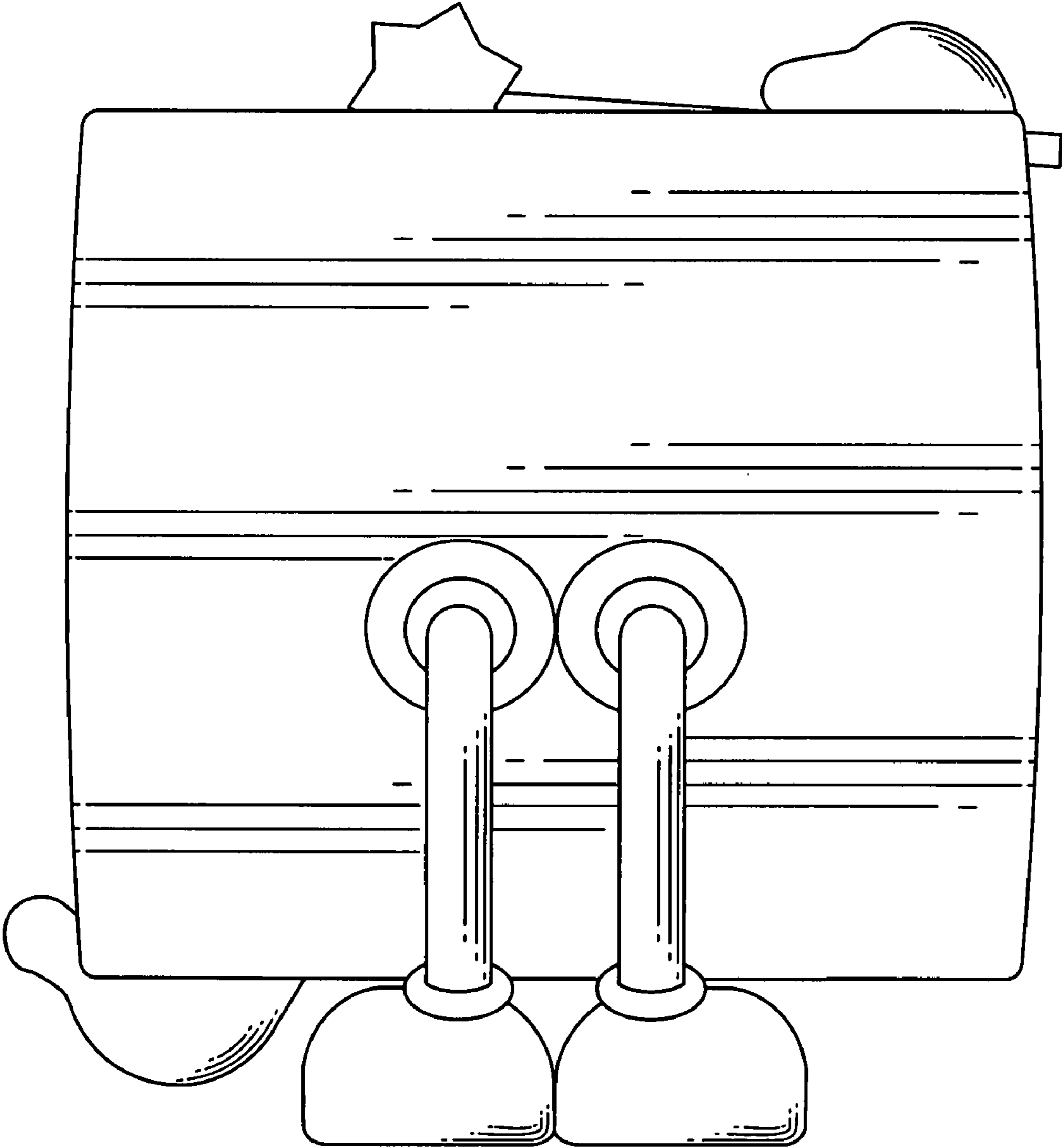


FIG. 3

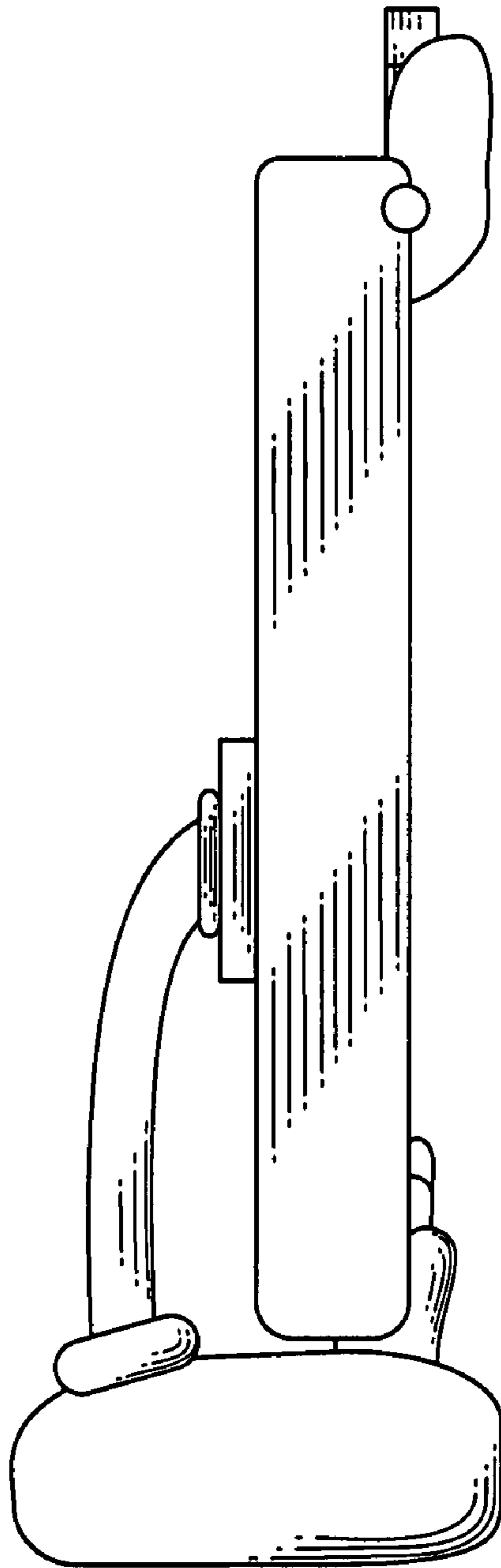


FIG. 4

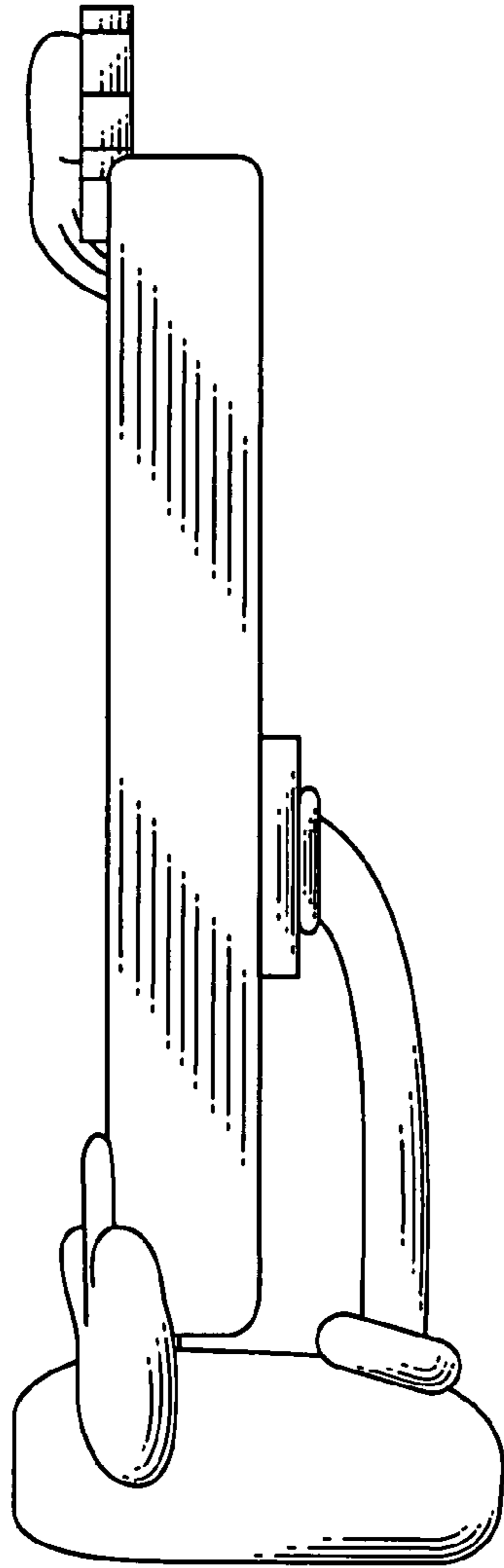


FIG. 5

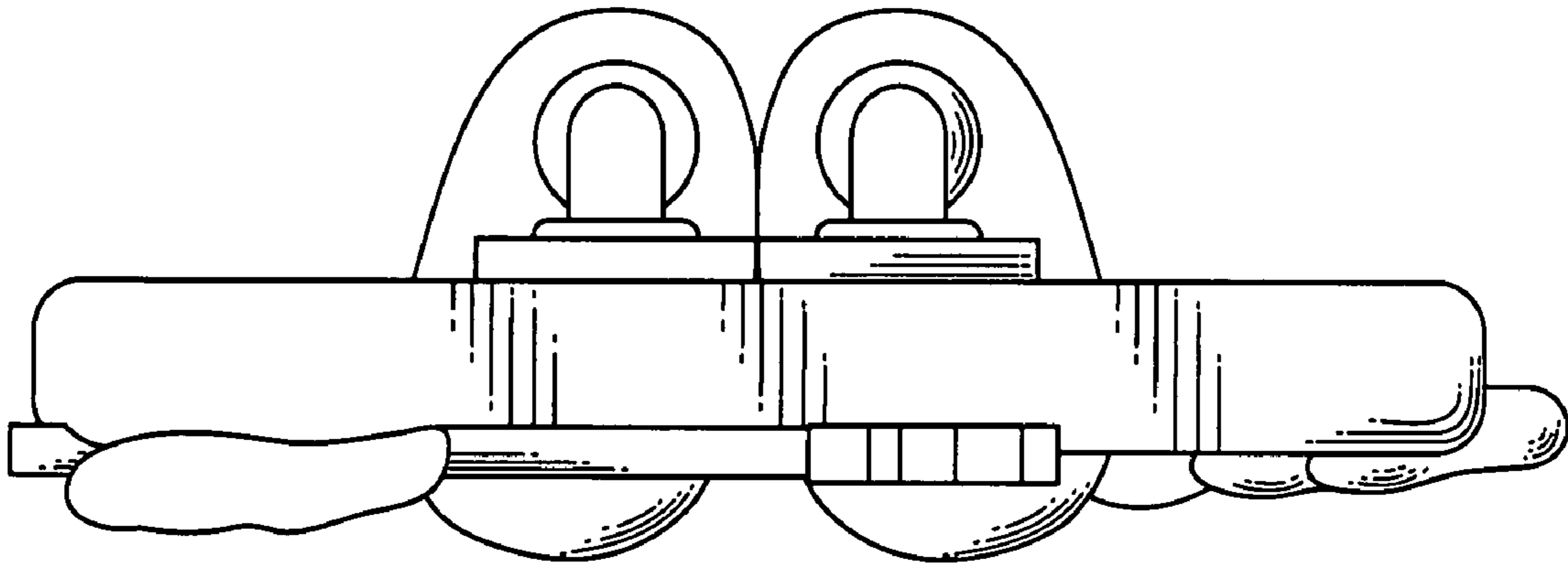


FIG. 6

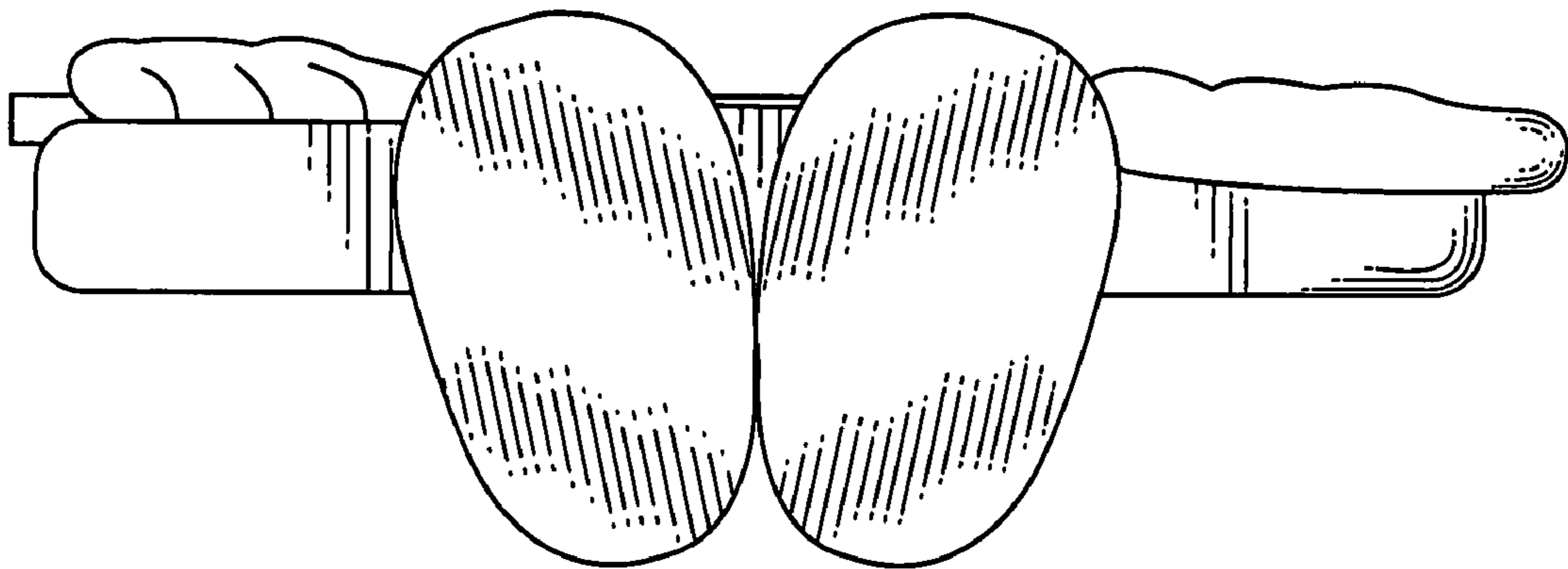


FIG. 7