

US00D570802S

(12) **United States Design Patent**  
**Beilstein**

(10) **Patent No.:** **US D570,802 S**  
(45) **Date of Patent:** **\*\* Jun. 10, 2008**

(54) **ELECTRONICS HUB**

(75) Inventor: **Christine D. Beilstein**, Chicago, IL  
(US)

(73) Assignee: **Sanford, L.P.**, Oak Brook, IL (US)

(\*\*) Term: **14 Years**

(21) Appl. No.: **29/257,457**

(22) Filed: **Apr. 4, 2006**

(51) **LOC (8) Cl.** ..... **13-99**

(52) **U.S. Cl.** ..... **D13/199**

(58) **Field of Classification Search** ..... 439/131;  
174/58, 53; 248/200; D13/184, 137.1, 137.2,  
D13/137.4, 138.1, 139.1, 139.4, 139.7, 146,  
D13/158, 163; D14/438

See application file for complete search history.

(56) **References Cited**

U.S. PATENT DOCUMENTS

5,023,396	A *	6/1991	Bartee et al.	.....	174/486
5,122,069	A	6/1992	Brownlie et al.		
D442,143	S *	5/2001	Gershfeld	.....	D13/139.4
D456,357	S *	4/2002	Gershfeld	.....	D13/139.4
6,388,192	B1 *	5/2002	Layne	.....	174/58
6,492,591	B1	12/2002	Metcalf		
6,568,946	B1	5/2003	Chou		
6,593,528	B2	7/2003	Franklin-Lees et al.		
6,854,989	B2	2/2005	Milan		
6,872,885	B1 *	3/2005	Newbold, Jr.	.....	174/58
6,894,219	B2 *	5/2005	Culbertson	.....	174/50.53
D512,964	S *	12/2005	Kissinger et al.	.....	D13/139.4

7,173,194	B2 *	2/2007	Rupert	.....	174/480
7,205,488	B2 *	4/2007	Riner	.....	174/482
2006/0151192	A1 *	7/2006	Kregle et al.	.....	174/53

OTHER PUBLICATIONS

Undated rendering of general product concept disclosed more than one year before Apr. 4, 2006.

\* cited by examiner

*Primary Examiner*—Robert M. Spear

*Assistant Examiner*—Ania K Dworzecka

(74) *Attorney, Agent, or Firm*—Marshall Gerstein & Borun LLP

(57) **CLAIM**

The ornamental design for an electronics hub, as shown and described.

**DESCRIPTION**

FIG. 1 is a bottom perspective view of an electronics hub showing my new design;

FIG. 2 is a top perspective view of the electronics hub of FIG. 1;

FIG. 3 is a front view of the electronics hub of FIG. 1;

FIG. 4 is a side view of the electronics hub of FIG. 1; and,

FIG. 5 is a bottom plan view of the electronics hub of FIG. 1.

The dashed lines are for illustrative purposes only and form no part of the claimed design.

**1 Claim, 2 Drawing Sheets**

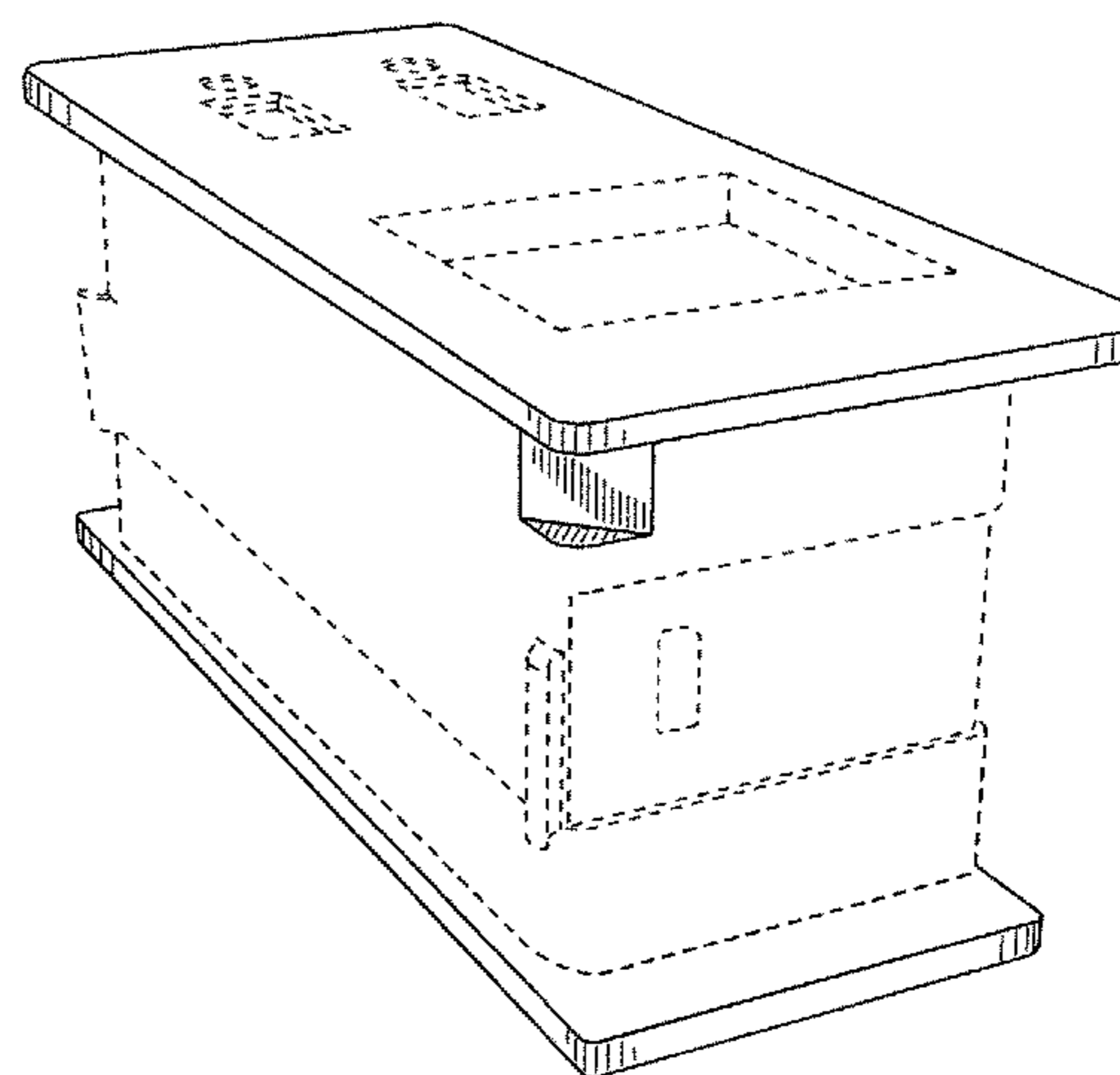
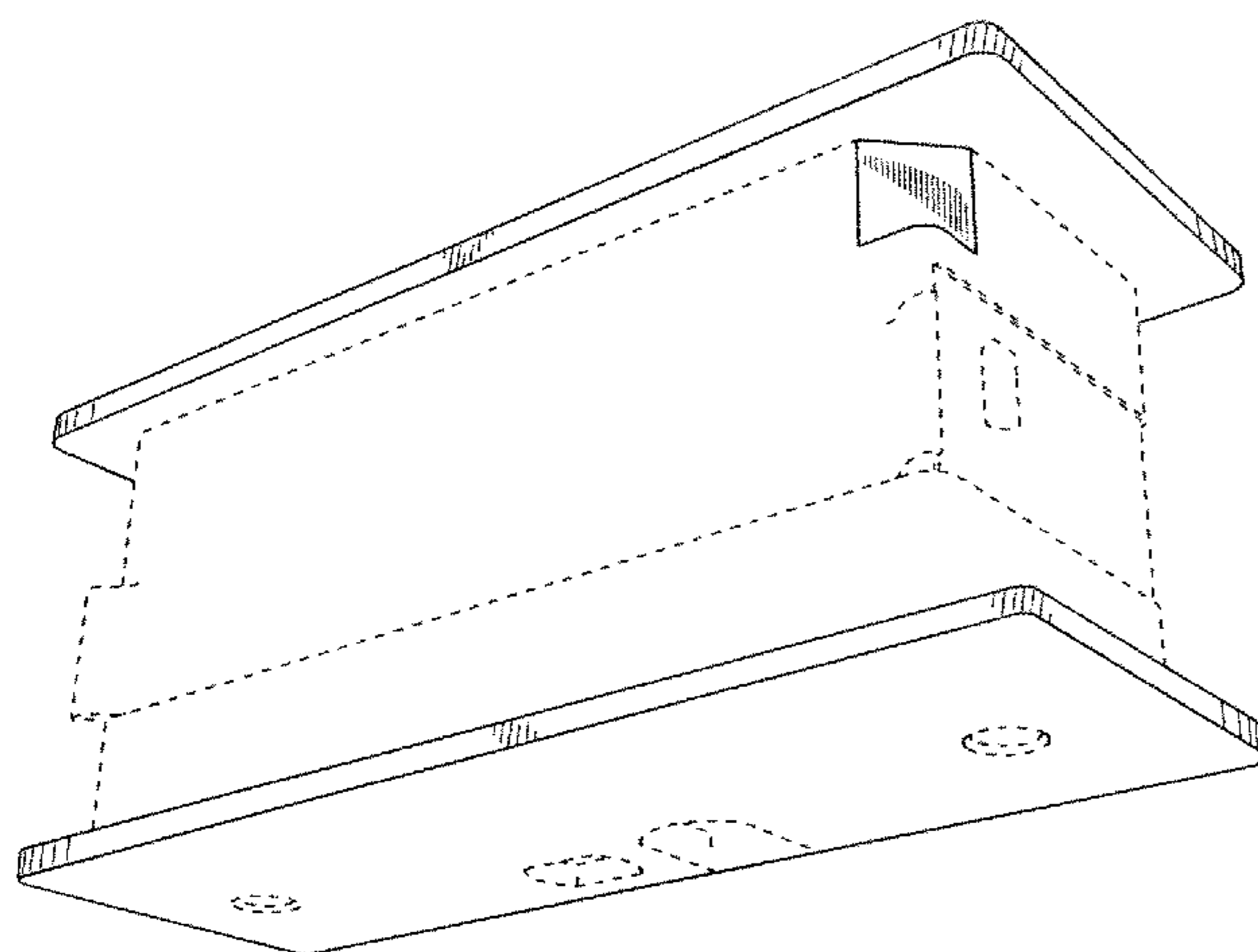


FIG. 1

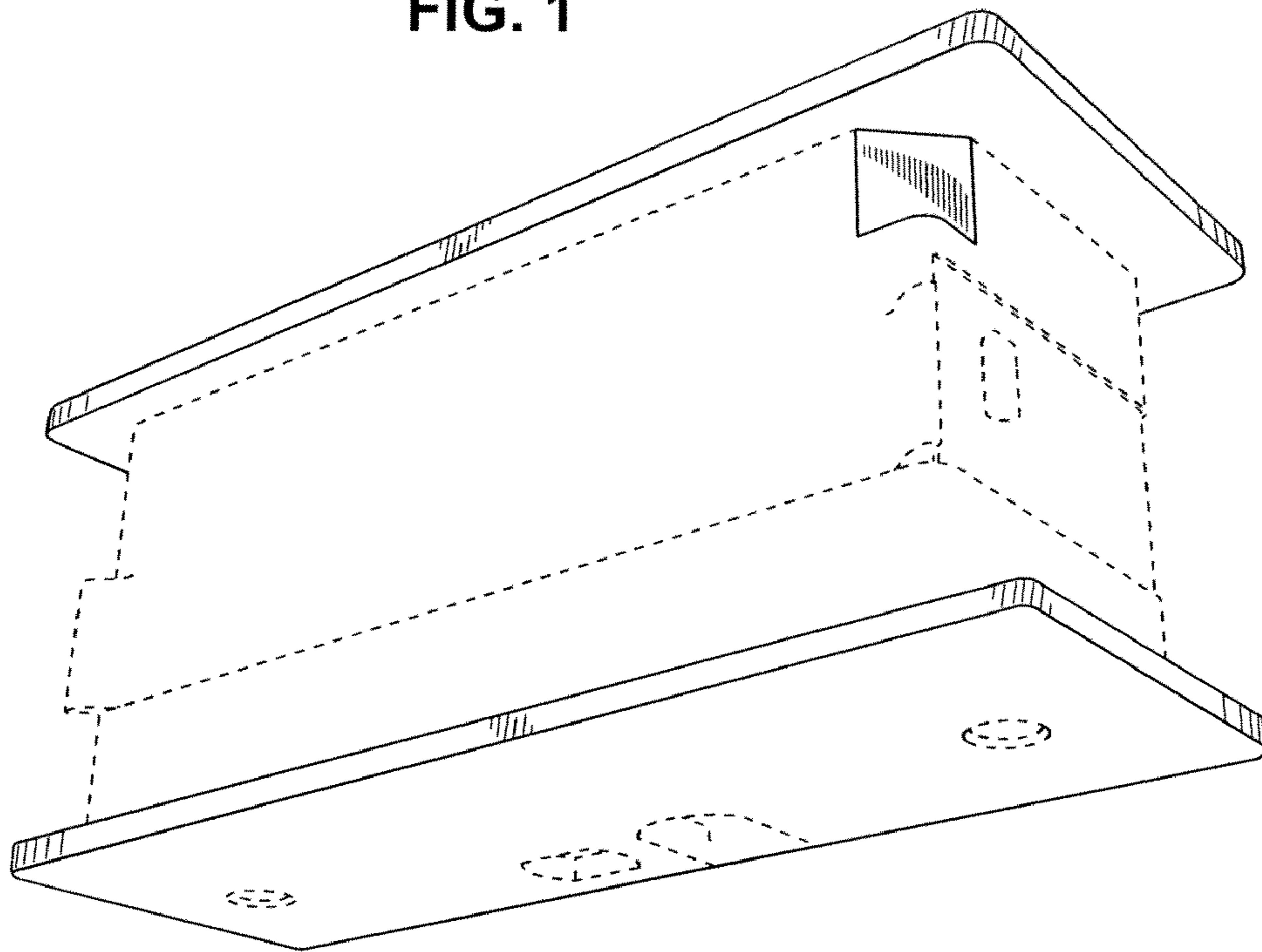


FIG. 2

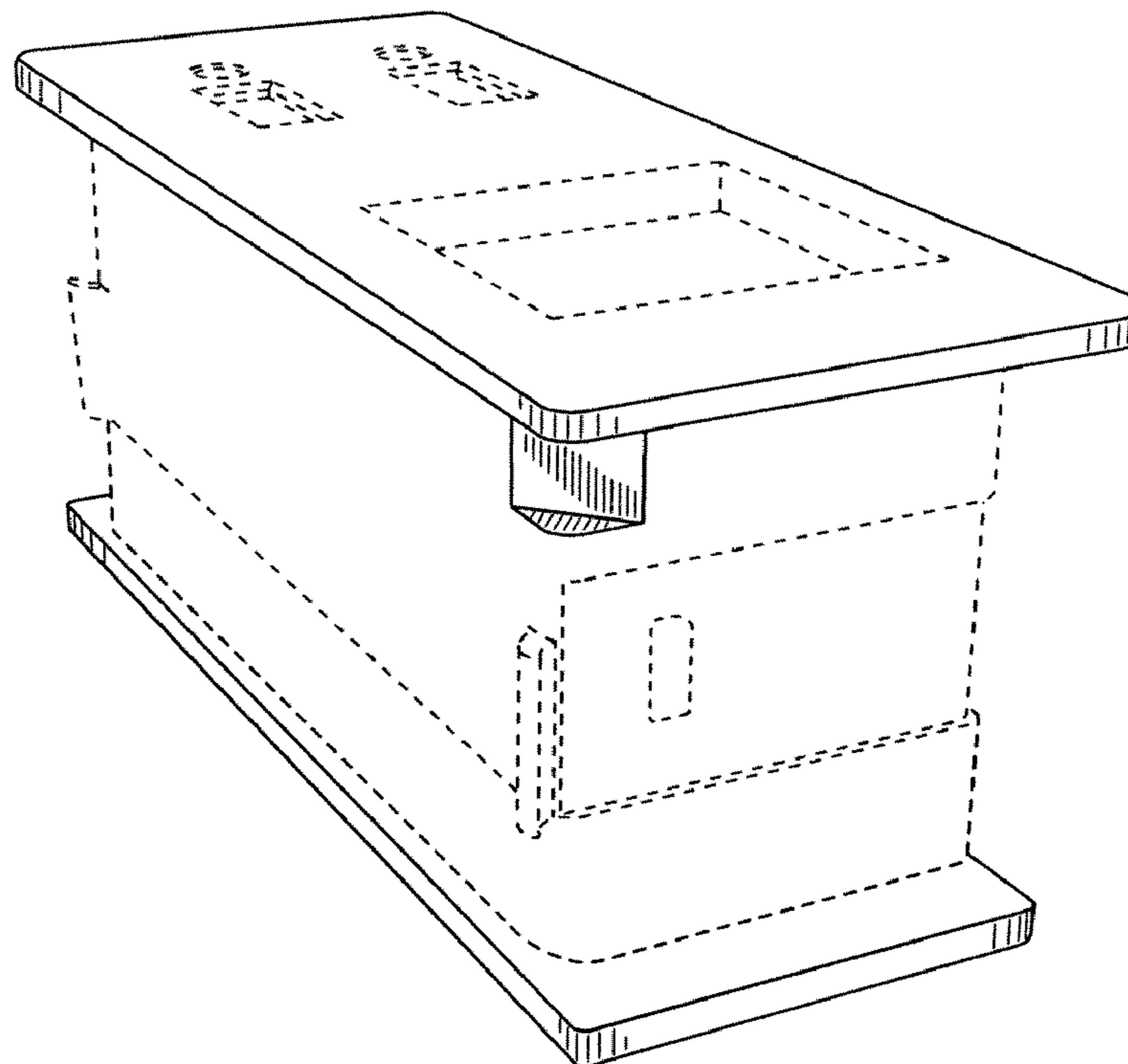


FIG. 3

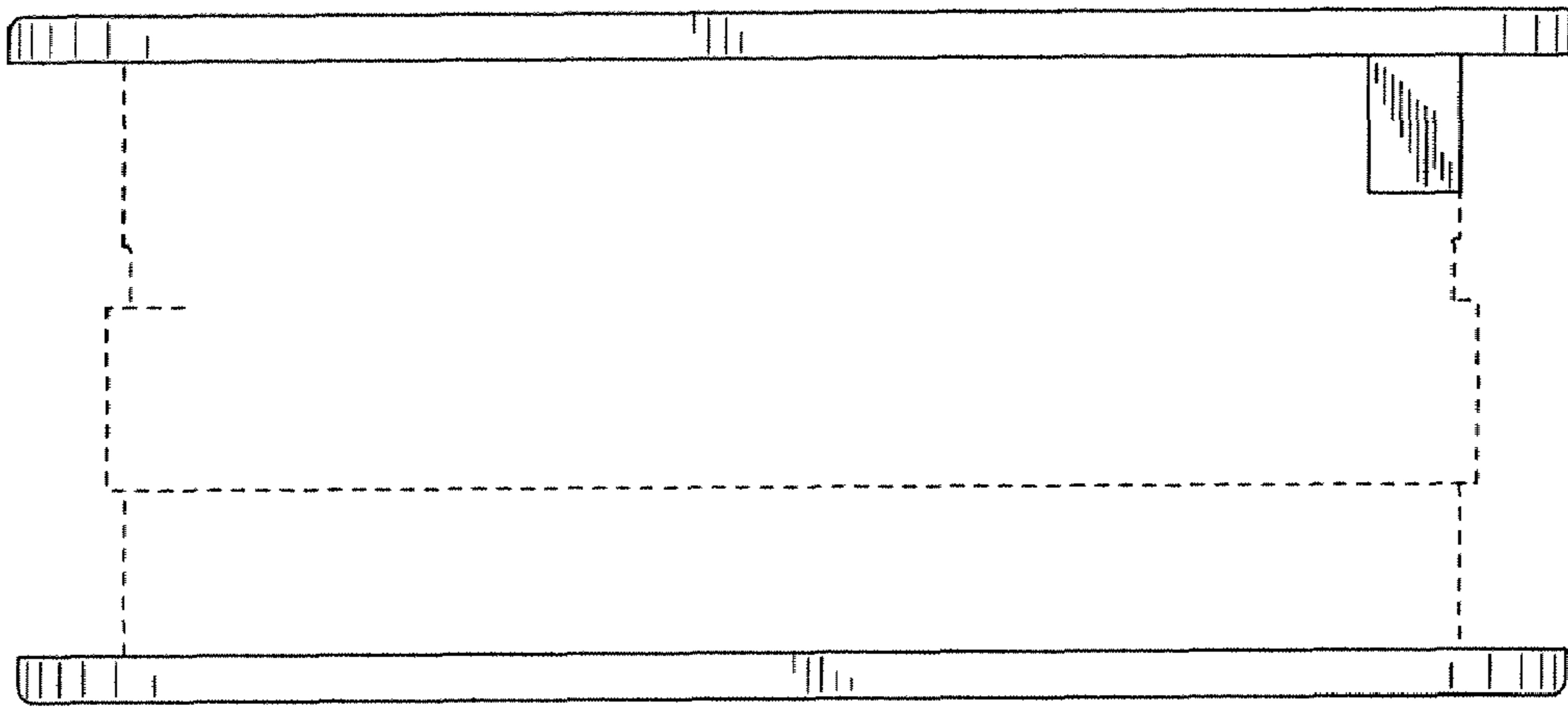


FIG. 4

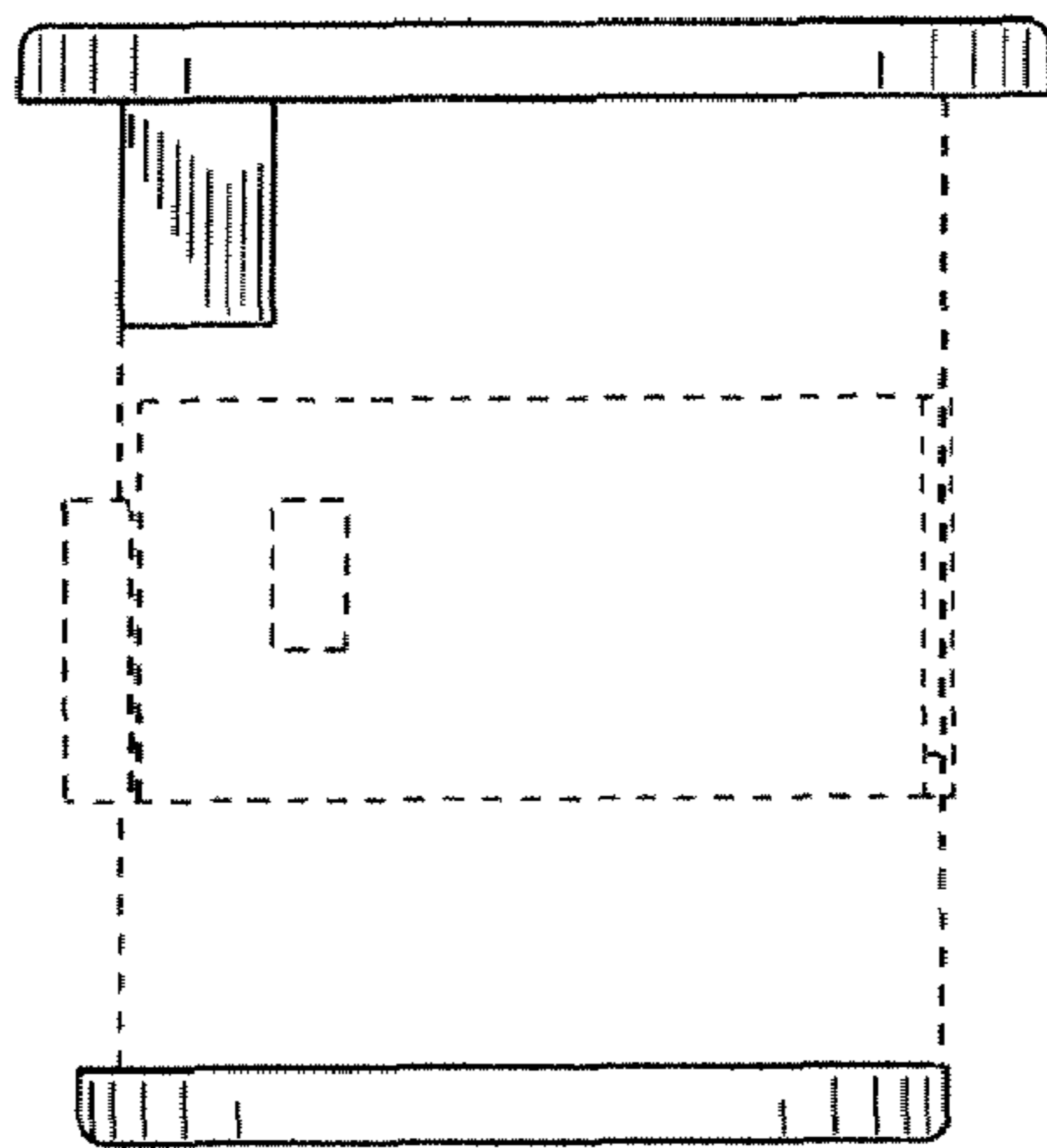


FIG. 5

