

US00D570801S

(12) **United States Design Patent**  
**Allen**

(10) **Patent No.:** **US D570,801 S**  
(45) **Date of Patent:** **\*\* Jun. 10, 2008**

(54) **TRANSDUCER MOUNTING BRACKET**

(76) Inventor: **Charles C. Allen**, 7001 Westway Dr.,  
Rowlett, TX (US) 75089

(\*\*) Term: **14 Years**

(21) Appl. No.: **29/245,516**

(22) Filed: **Dec. 23, 2005**

(51) **LOC (8) Cl.** ..... **13-03**

(52) **U.S. Cl.** ..... **D13/199; D10/103**

(58) **Field of Classification Search** ..... D13/101,  
D13/118, 182, 199; D10/46, 103; D12/317;  
D14/222; D23/386; D24/108; 73/861.18;  
114/343; 248/74.3, 214, 226.11; 310/327;  
367/173; 600/459

See application file for complete search history.

(56) **References Cited**

**U.S. PATENT DOCUMENTS**

2,829,360	A *	4/1958	Allyn	.....	367/173
3,716,827	A *	2/1973	Massa	.....	367/173
3,979,566	A *	9/1976	Willy	.....	381/401
4,373,401	A *	2/1983	Baumoel	.....	73/861.18
4,811,310	A *	3/1989	Wille	.....	367/173
4,926,399	A *	5/1990	Hickman	.....	367/173
5,109,364	A *	4/1992	Stiner	.....	367/165
5,810,733	A *	9/1998	Van Creveld et al.	.....	600/459
6,899,574	B1 *	5/2005	Kalis et al.	.....	440/6

6,928,948	B1	8/2005	Shannon	
7,284,730	B2 *	10/2007	Walsh et al.	..... 248/74.3
2001/0005419	A1 *	6/2001	Kermani et al.	..... 381/189
2002/0145091	A1 *	10/2002	Talish et al.	..... 248/226.11
2004/0064051	A1 *	4/2004	Talish et al.	..... 600/459

\* cited by examiner

*Primary Examiner*—Selina Sikder  
(74) *Attorney, Agent, or Firm*—Mark W. Handley

(57) **CLAIM**

The ornamental design for a transducer mounting bracket, as shown and described.

**DESCRIPTION**

FIG. 1 is a perspective view of a transducer mounting bracket embodying my design;

FIG. 2 is a top view of the transducer mounting bracket;

FIG. 3 is a left side view of the transducer mounting bracket;

FIG. 4 is a front view of the transducer mounting bracket;

FIG. 5 is a right side view of the transducer mounting bracket;

FIG. 6 is a rear view of the transducer mounting bracket; and,

FIG. 7 is a bottom view of the transducer mounting bracket.

**1 Claim, 2 Drawing Sheets**

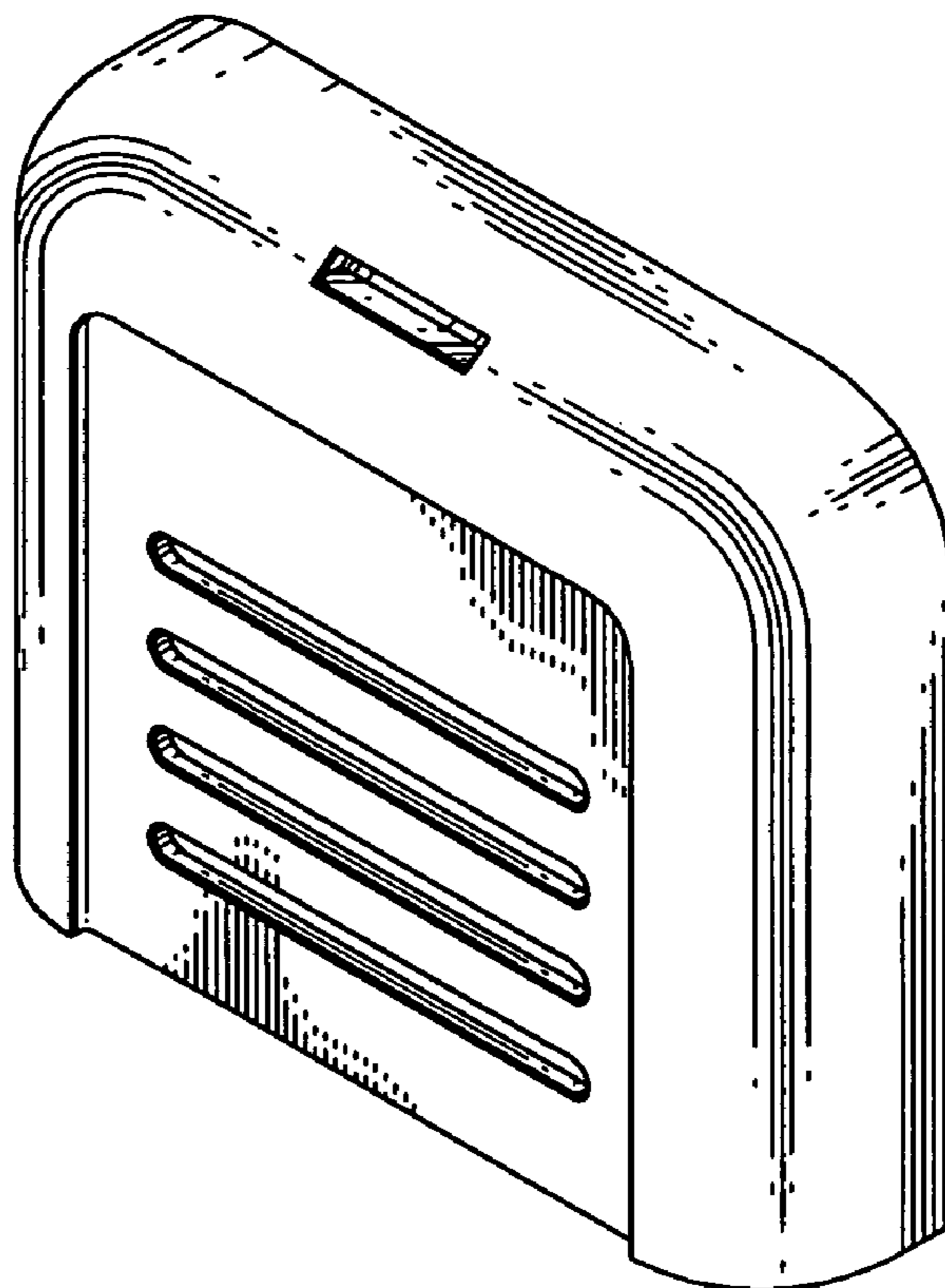


FIG. 1

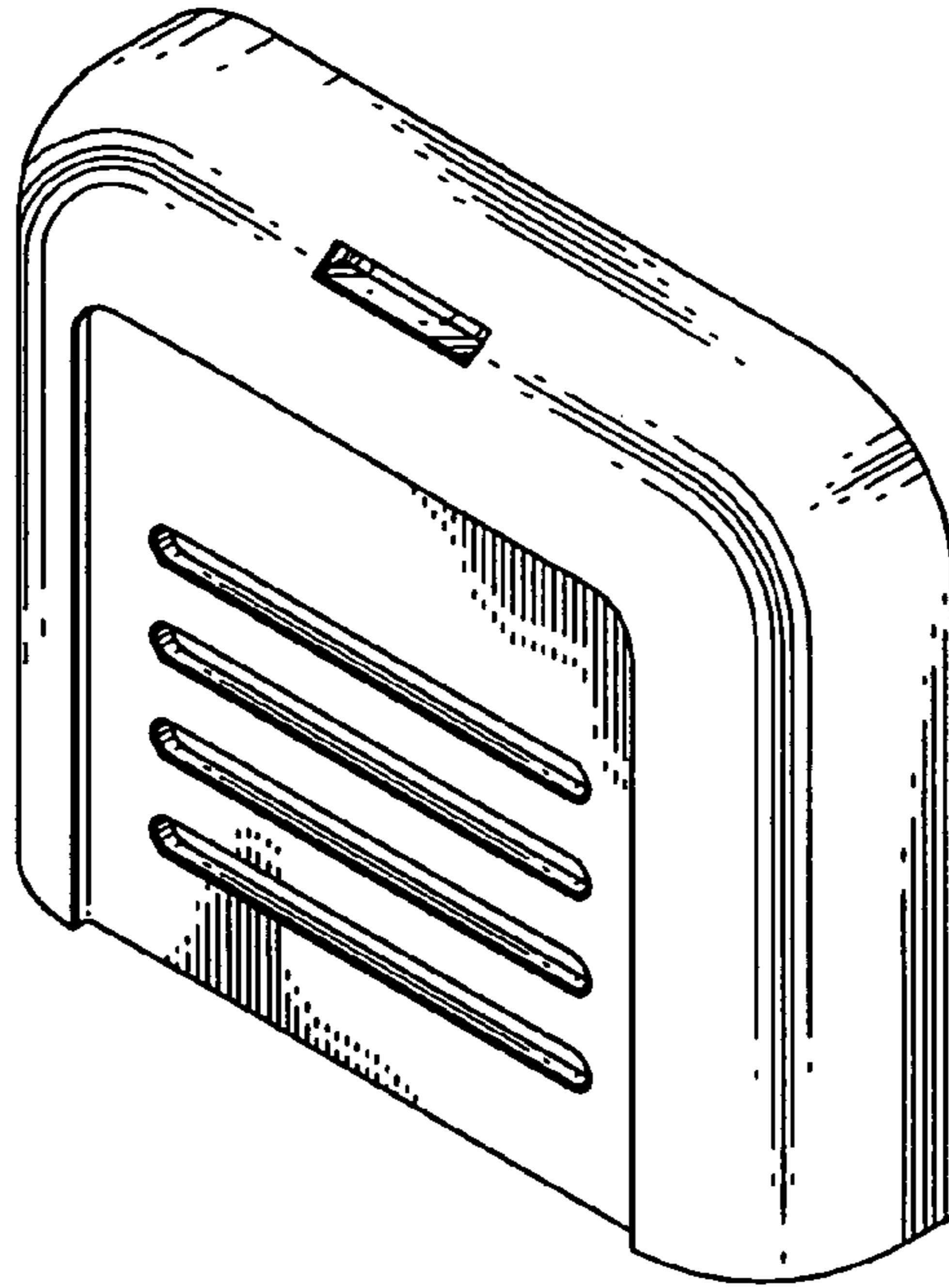


FIG. 2

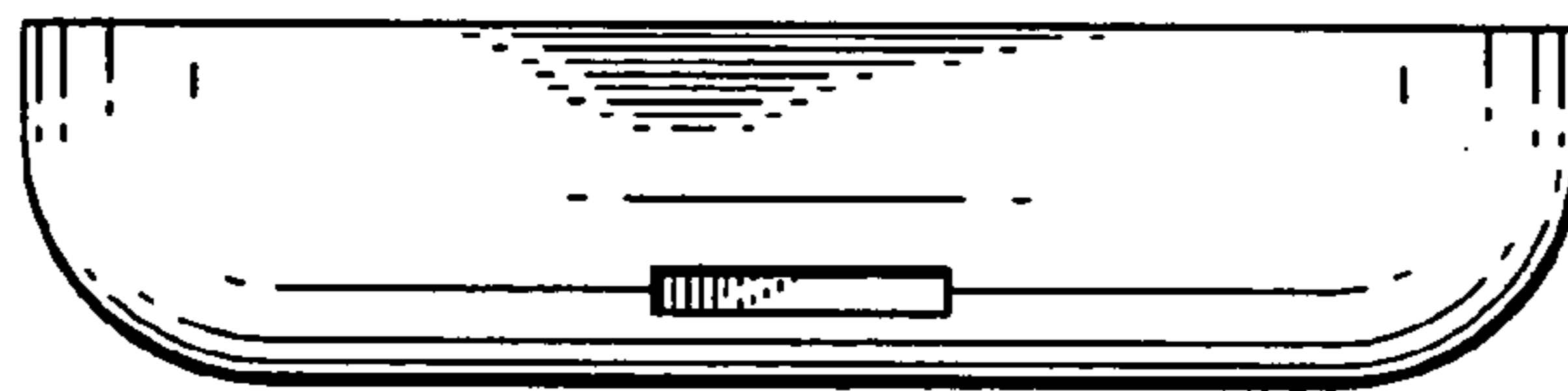


FIG. 3



FIG. 4

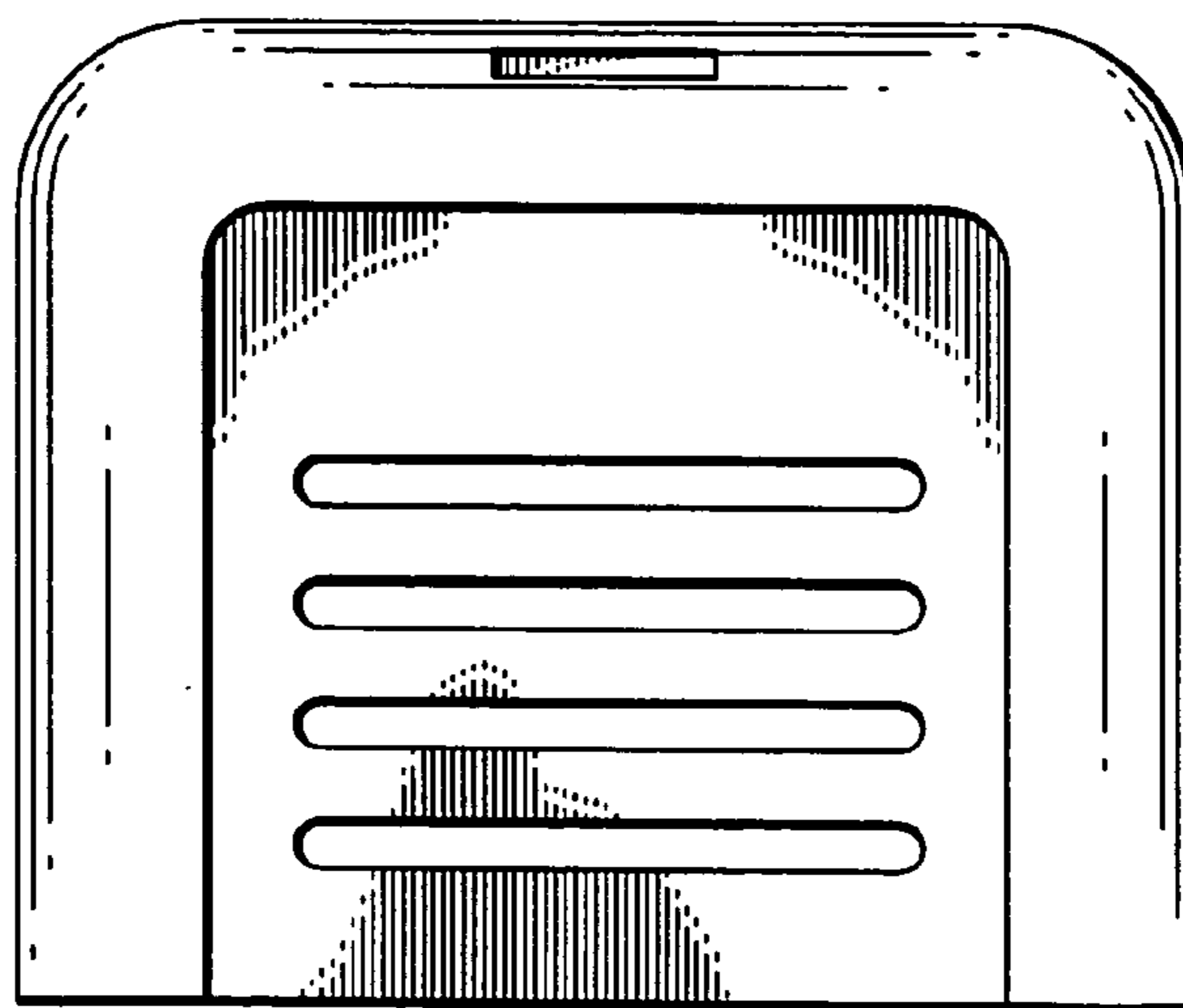
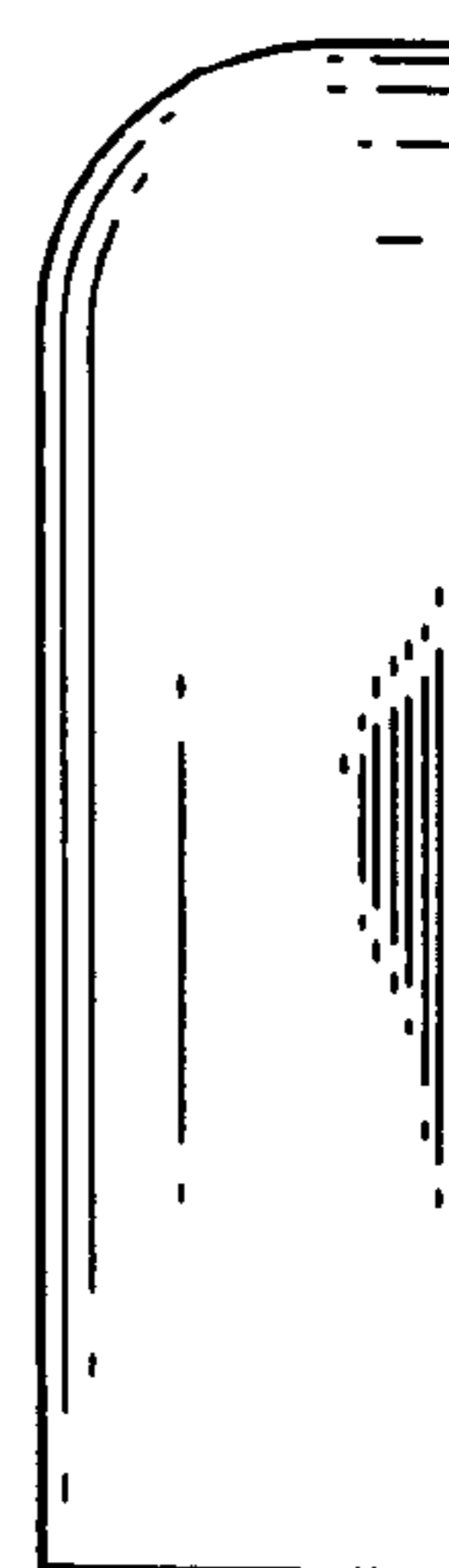
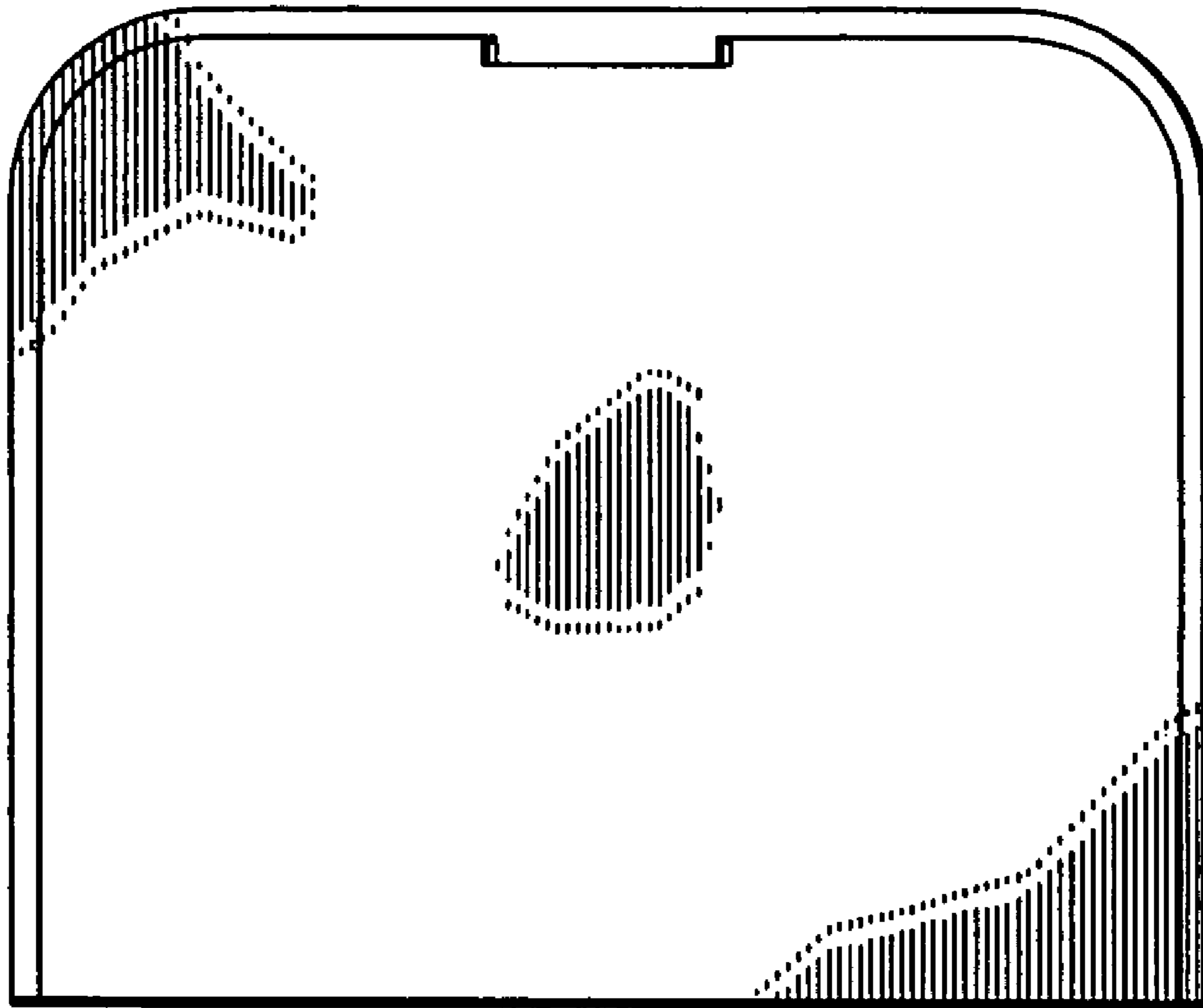


FIG. 5



*FIG. 6*



*FIG. 7*

