



US00D570799S

(12) **United States Design Patent**
Lee et al.

(10) **Patent No.:** **US D570,799 S**
(45) **Date of Patent:** **** Jun. 10, 2008**

(54) **SIDE VIEW TYPE LIGHT EMITTING DIODE**

2007/0102719 A1* 5/2007 Yue 257/98

* cited by examiner

(75) Inventors: **Jin Won Lee**, Yongin-si (KR); **Chi Ok In**, Dangjin-gun (KR); **Ik Seong Park**, Seoul (KR)

Primary Examiner—Selina Sikder

(74) *Attorney, Agent, or Firm*—Sughrue Mion, PLLC

(73) Assignee: **Alti-Electronics Co., Ltd.** (KR)

(57) **CLAIM**

(**) Term: **14 Years**

The ornamental design for a side view type light emitting diode, as shown.

(21) Appl. No.: **29/278,981**

(22) Filed: **Apr. 17, 2007**

DESCRIPTION

(30) **Foreign Application Priority Data**

Jan. 17, 2007 (KR) 30-2007-0002254

FIG. 1 is a perspective view of the side view type light emitting diode, showing our new design;

FIG. 2 is a front elevational view of the side view type light emitting diode of FIG. 1;

(51) **LOC (8) Cl.** **13-03**

(52) **U.S. Cl.** **D13/180**

(58) **Field of Classification Search** D13/180;
D26/2; 257/79, 80, 81, 88, 89, 95, 98, 99,
257/100; 313/483, 498, 500; 362/555, 800
See application file for complete search history.

FIG. 3 is a rear elevational view of the side view type light emitting diode of FIG. 1;

FIG. 4 is a left side elevational view of the side view type light emitting diode of FIG. 1;

FIG. 5 is a right side elevational view of the side view type light emitting diode of FIG. 1;

(56) **References Cited**

U.S. PATENT DOCUMENTS

D453,745 S * 2/2002 Suenaga D13/180

D490,385 S * 5/2004 Ishida D13/180

D500,294 S * 12/2004 Ishida D13/180

D530,684 S * 10/2006 Tzeng D13/180

D549,187 S * 8/2007 Park et al. D13/180

2006/0186427 A1* 8/2006 Takine et al. 257/99

2007/0063213 A1* 3/2007 Hsieh et al. 257/99

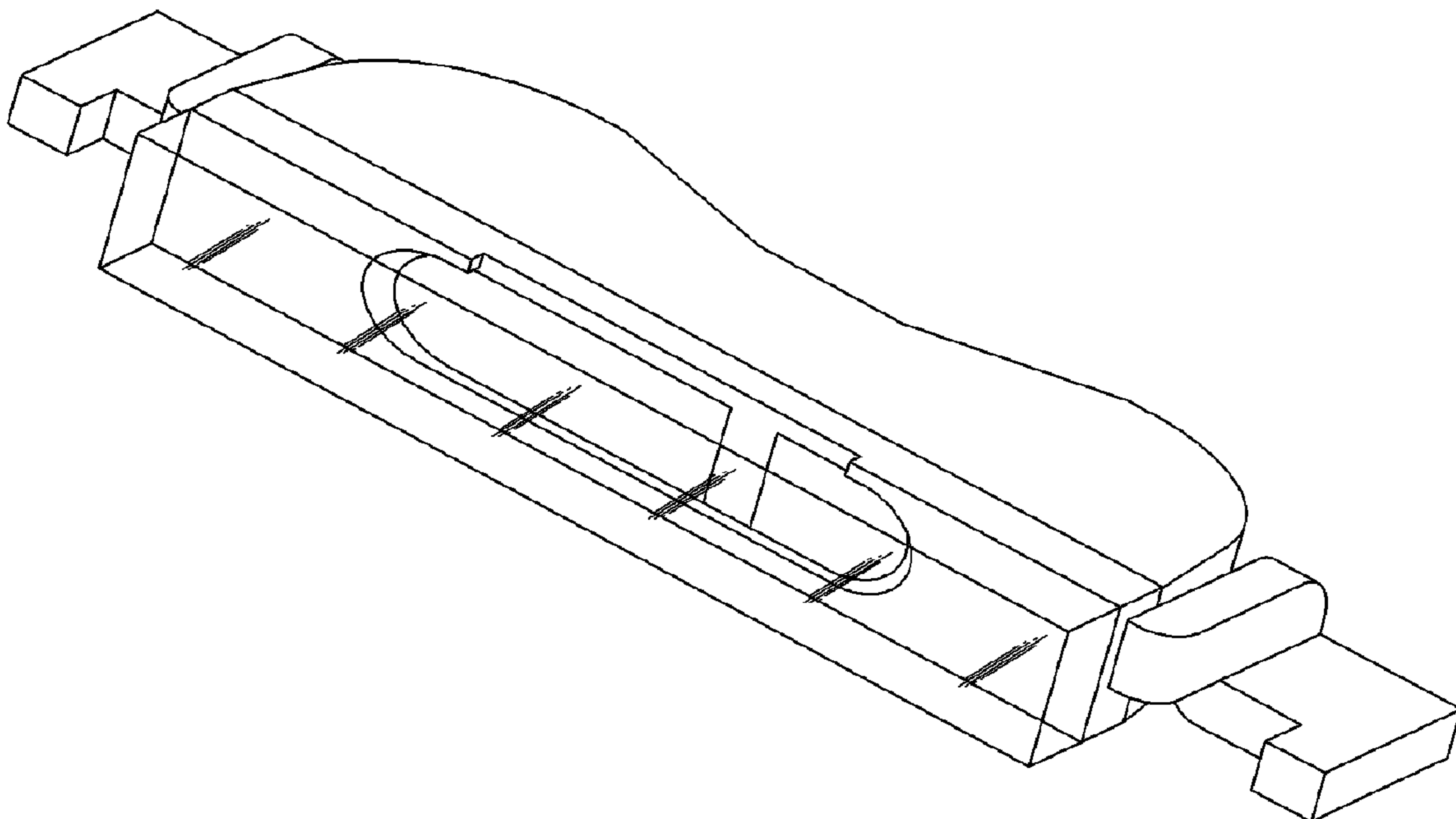
FIG. 6 is a top plan view of the side view type light emitting diode of FIG. 1;

FIG. 7 is a bottom plan view of the side view type light emitting diode of FIG. 1;

FIG. 8 is a rear three-dimensional view of the side view type light emitting diode of FIG. 1; and,

FIG. 9 is perspective view of the side view type light emitting diode, a transparent part thereof being separated from a main body thereof.

1 Claim, 9 Drawing Sheets



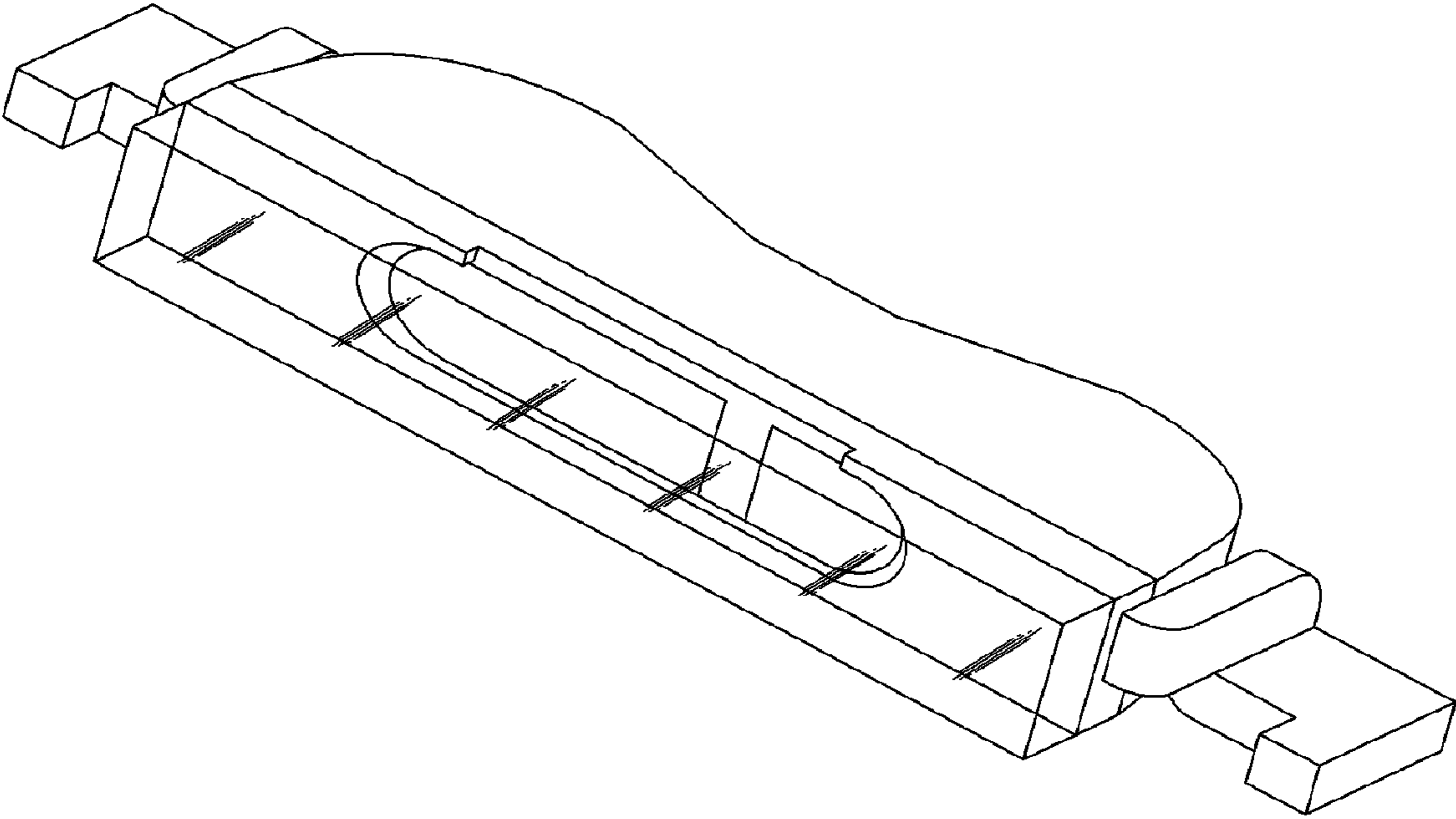


FIG. 1

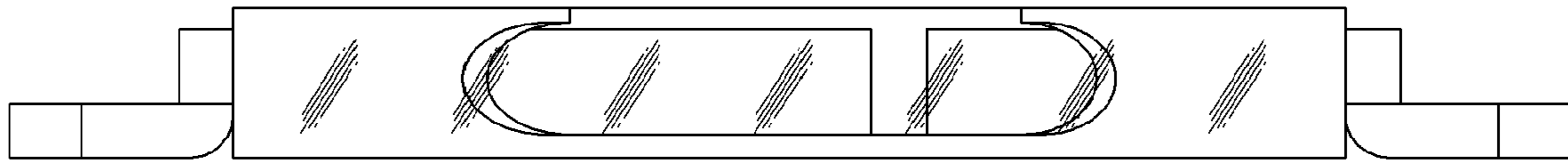


FIG. 2

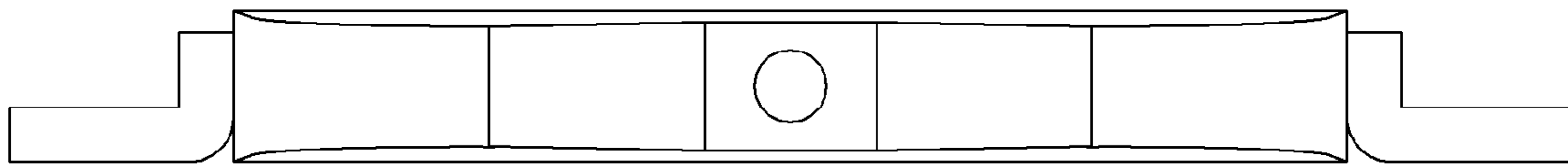


FIG. 3

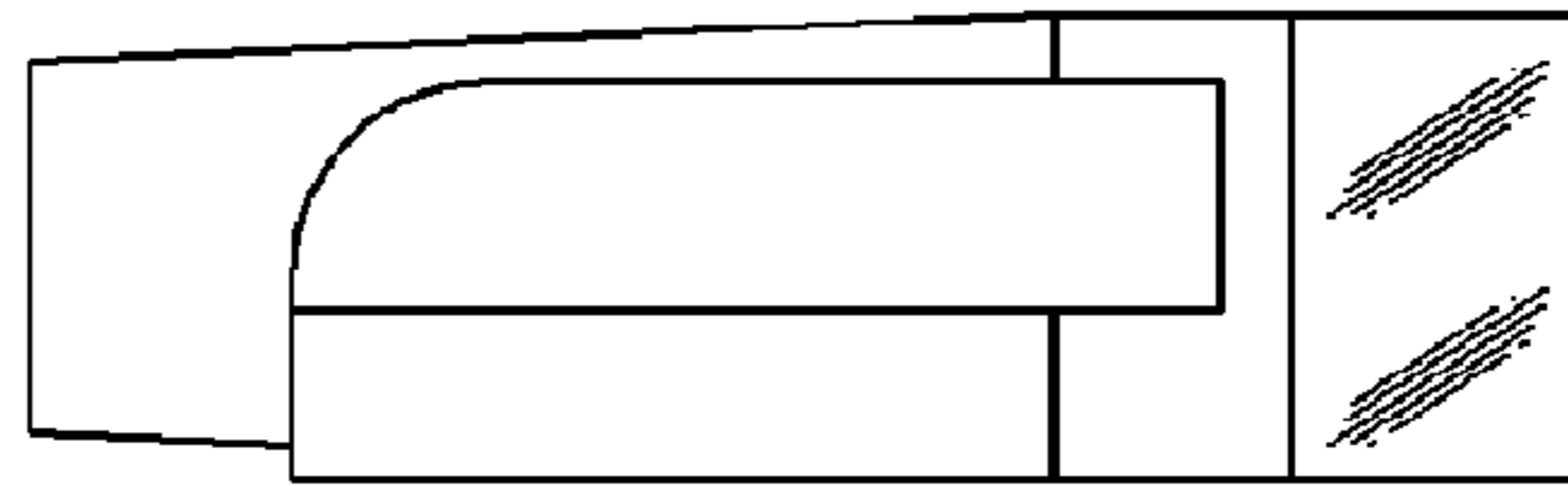


FIG. 4

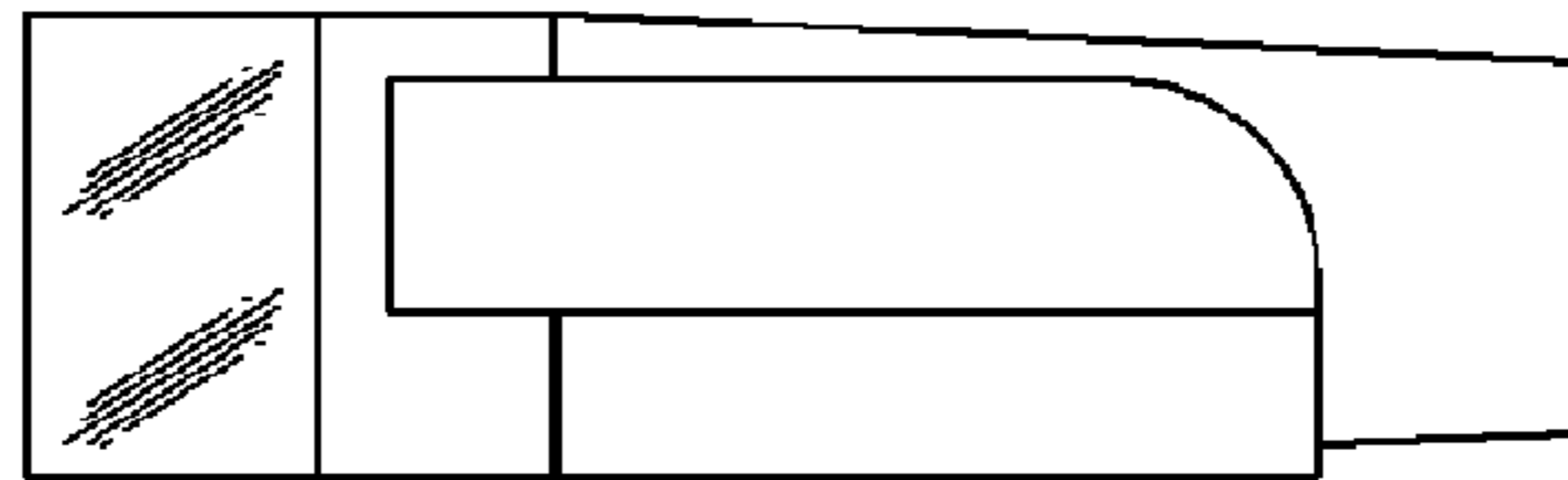


FIG. 5

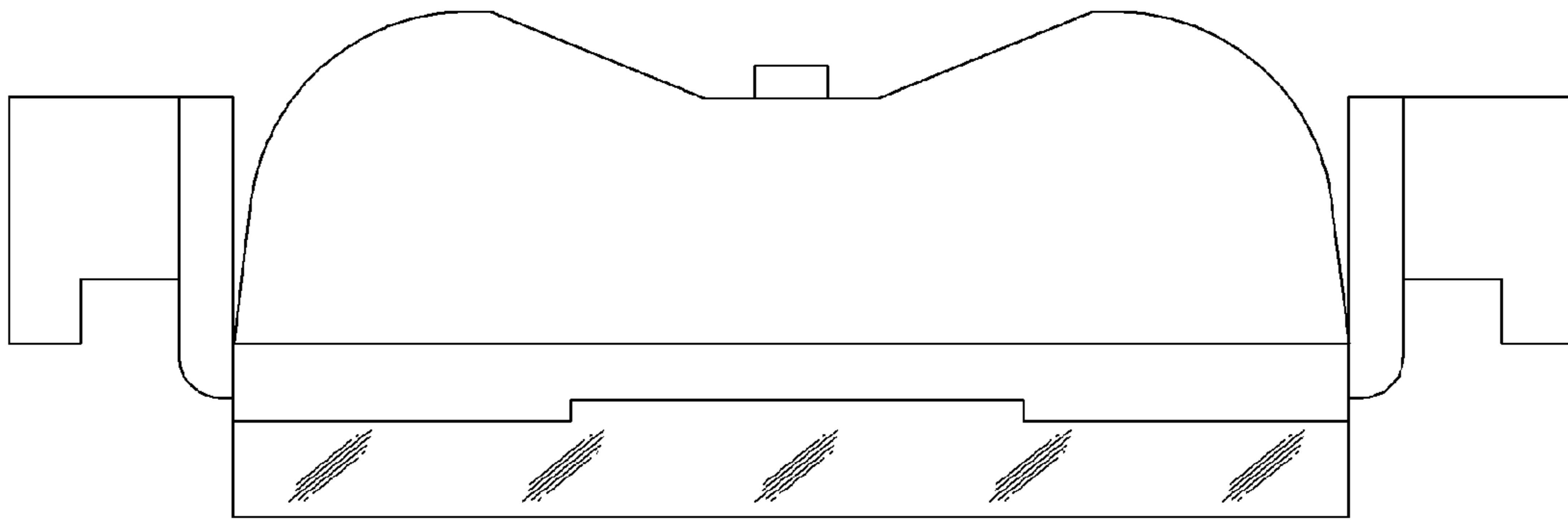


FIG. 6

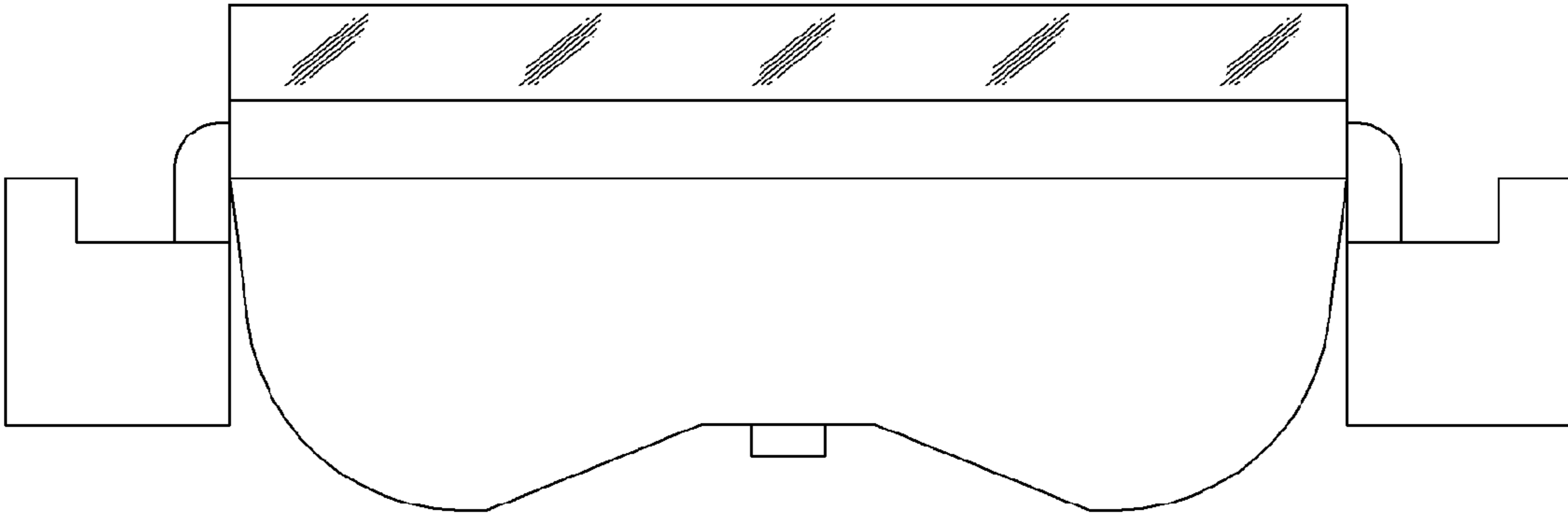


FIG. 7

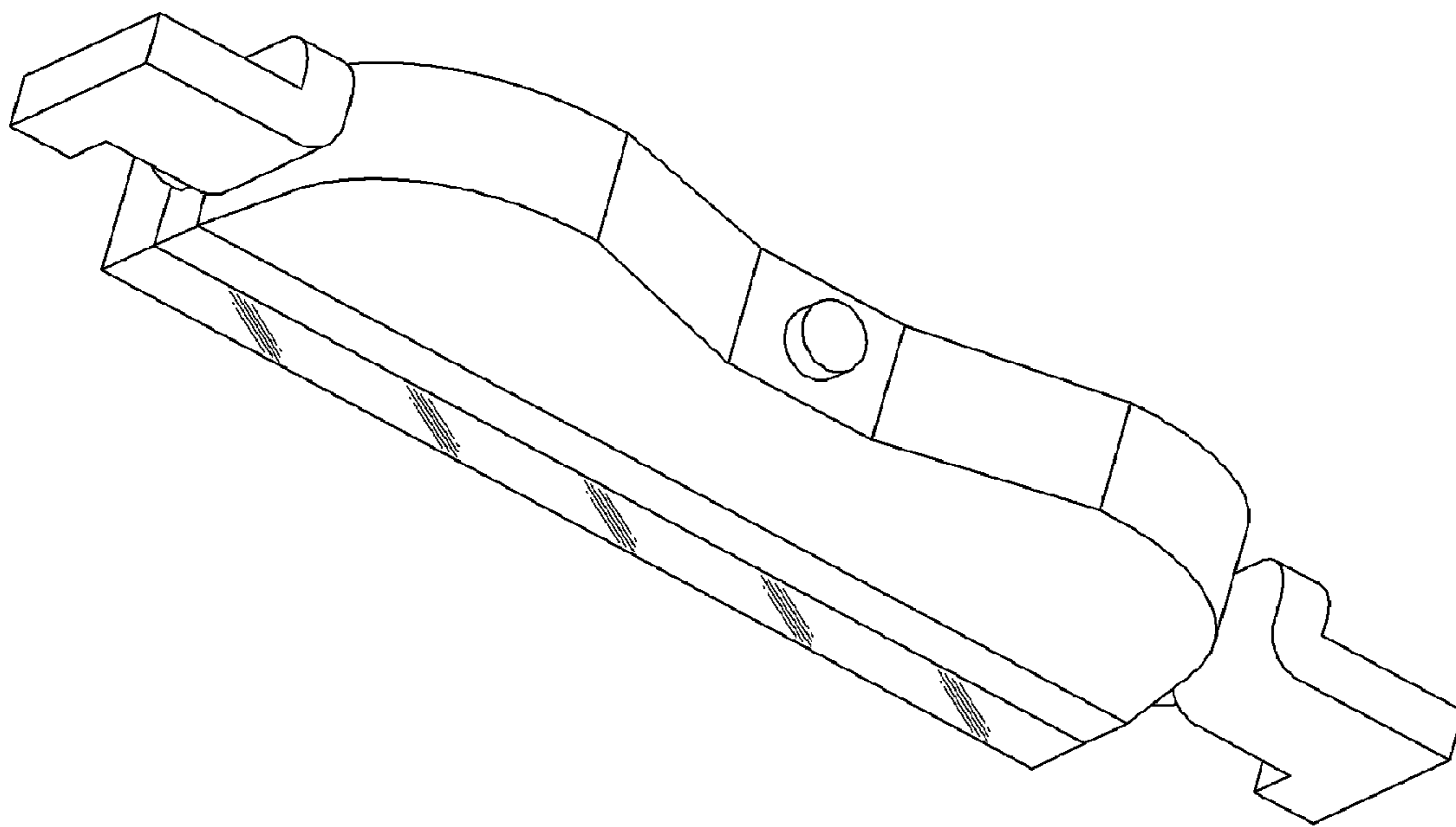


FIG. 8

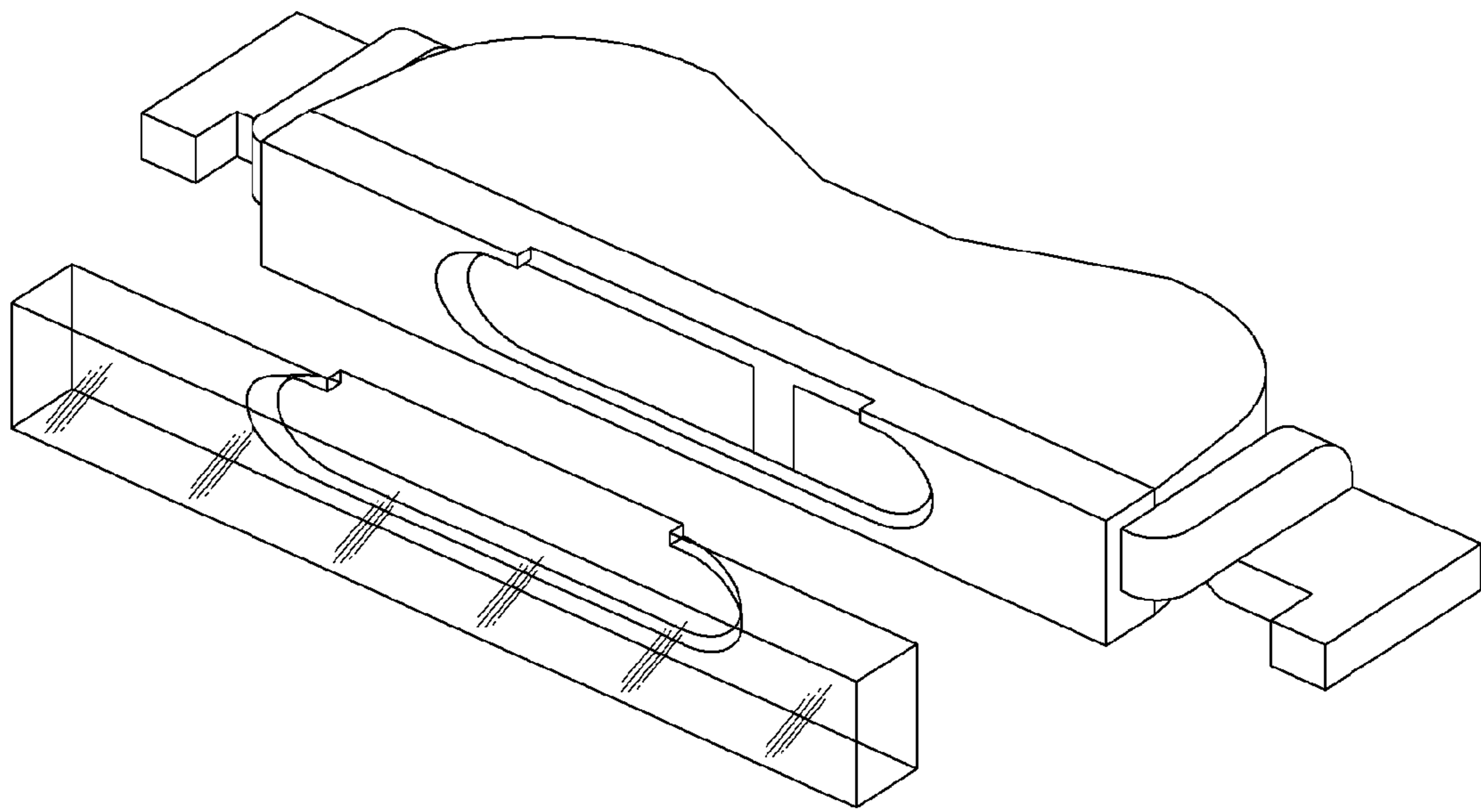


FIG. 9