

US00D570792S

(12) **United States Design Patent**  
**Leung**

(10) **Patent No.:** **US D570,792 S**  
(45) **Date of Patent:** **\*\* Jun. 10, 2008**

(54) **REMOTE CONTROL WITH LASER  
POINTER AND MOUSE**

(75) Inventor: **Chun Fai Leung**, Kowloon (HK)

(73) Assignee: **P.S.L. Limited**, Kowloon (HK)

(\*\*) Term: **14 Years**

(21) Appl. No.: **29/277,451**

(22) Filed: **Feb. 27, 2007**

(30) **Foreign Application Priority Data**

Oct. 17, 2006 (HK) ..... 0602679.7M001-M003

(51) **LOC (8) Cl.** ..... **13-03**

(52) **U.S. Cl.** ..... **D13/168**

(58) **Field of Classification Search** ..... D13/168;  
D10/104, 106; D14/218, 247; 340/825.22,  
340/825.24, 825.25, 825.31, 825.36, 825.69,  
340/825.72; 341/20, 22, 23, 34, 176; 345/156,  
345/158, 169; 348/734; 455/92, 95, 100,  
455/128, 151.1-151.4, 352-355; 463/39;  
700/17, 19, 20, 65, 83; 701/2

See application file for complete search history.

(56) **References Cited**

**U.S. PATENT DOCUMENTS**

D253,234 S \* 10/1979 Cooke ..... D13/168  
6,069,614 A \* 5/2000 Singhal ..... 345/158

D463,405 S \* 9/2002 Masujima et al. .... D14/218  
D478,052 S \* 8/2003 Thomas, Jr. .... D13/168  
D491,923 S \* 6/2004 Navarrete ..... D14/218  
D534,501 S \* 1/2007 Yao ..... D13/168  
2005/0024321 A1\* 2/2005 Tsai ..... 345/156  
2006/0217150 A1\* 9/2006 Chen ..... 455/556.1

\* cited by examiner

*Primary Examiner*—Selina Sikder

(57) **CLAIM**

The ornamental design for a remote control with laser pointer and mouse, as shown and described.

**DESCRIPTION**

FIG. 1 is a front elevational view of a remote control with laser pointer and mouse showing my new design;

FIG. 2 is a rear elevational view thereof;

FIG. 3 is a top plan view thereof;

FIG. 4 is a bottom plan view thereof;

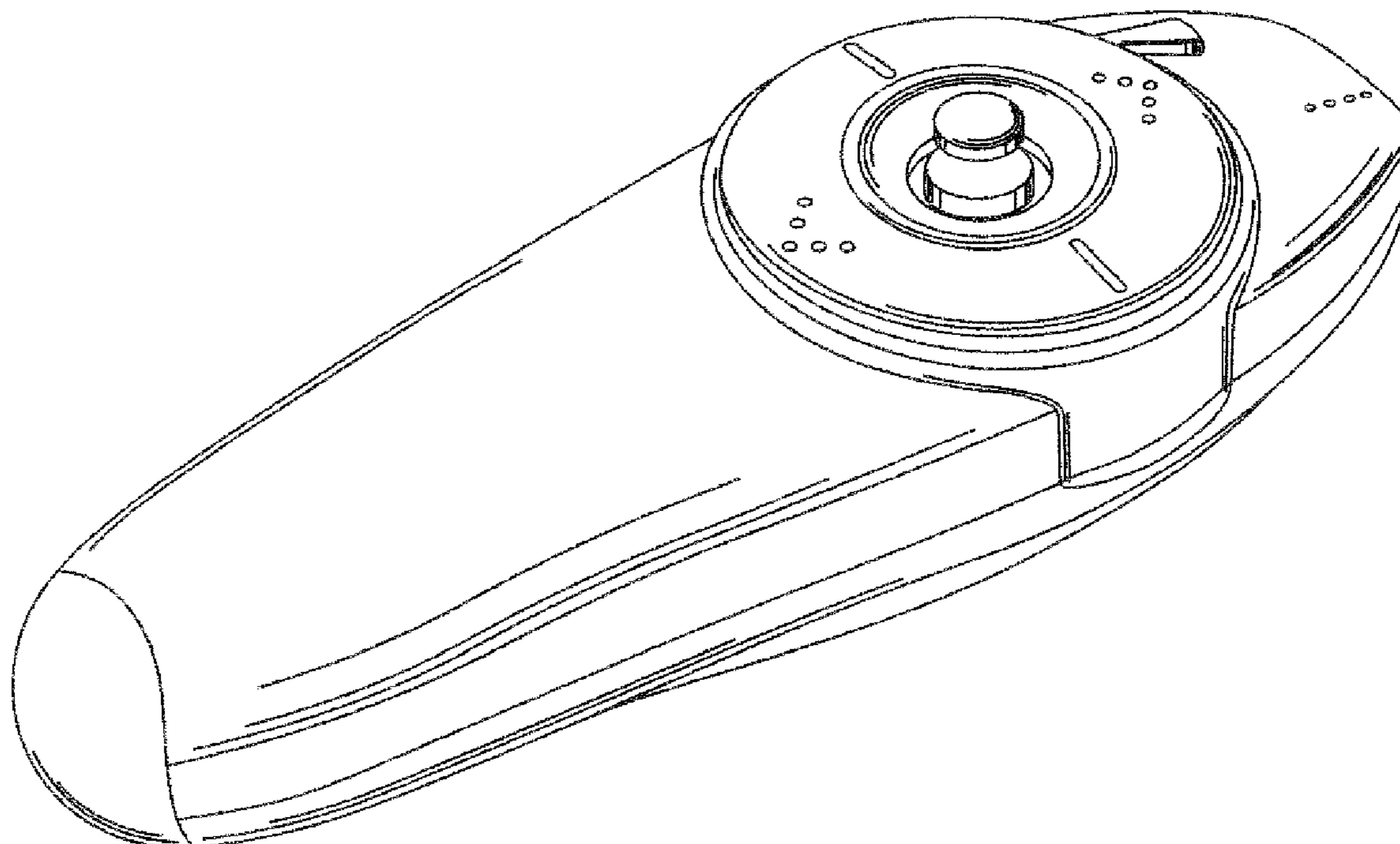
FIG. 5 is a left side view thereof;

FIG. 6 is a right side view thereof;

FIG. 7 is a perspective view thereof; and,

FIG. 8 is a perspective view thereof with the cap being a USB memory device detached for showing portion of the design not shown in other views.

**1 Claim, 3 Drawing Sheets**



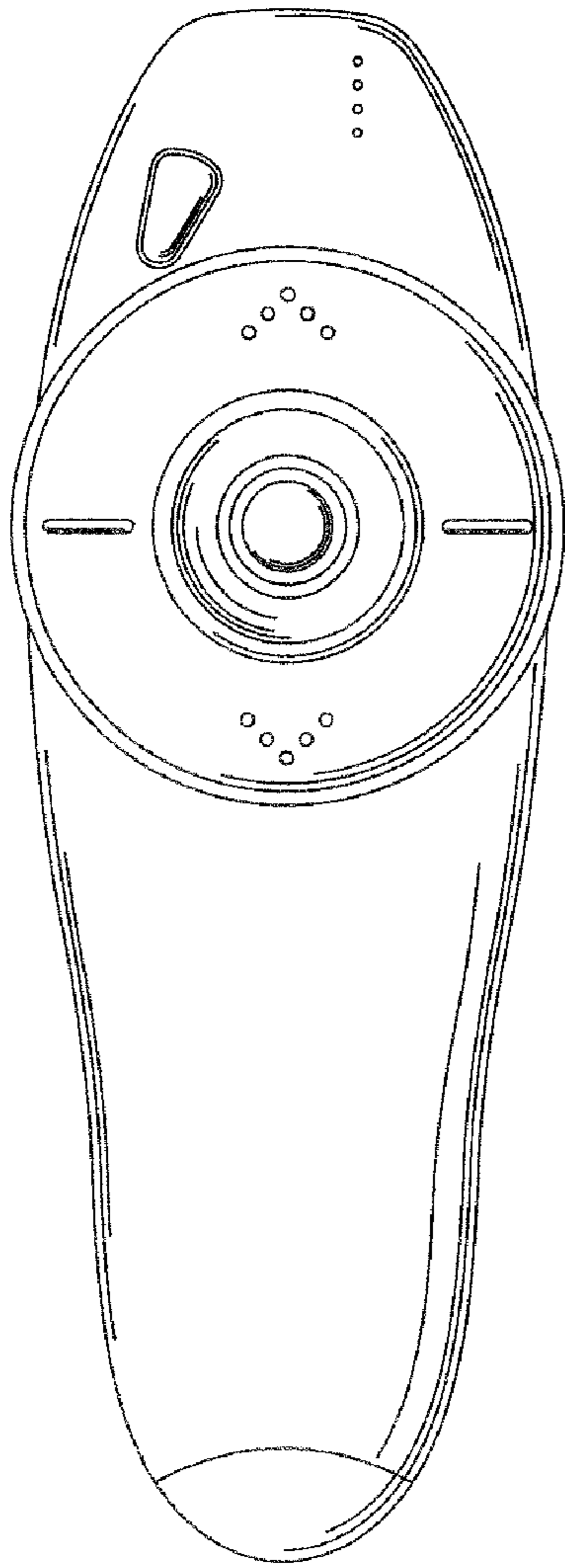


FIG. 1

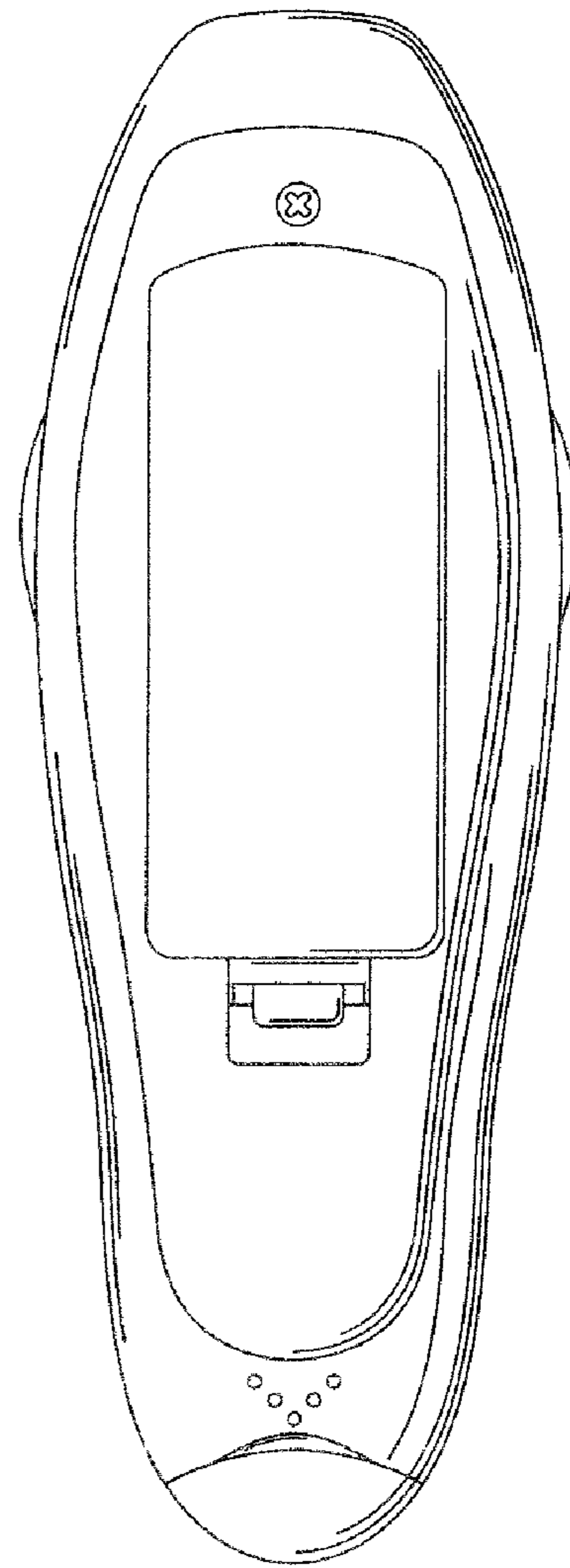


FIG. 2

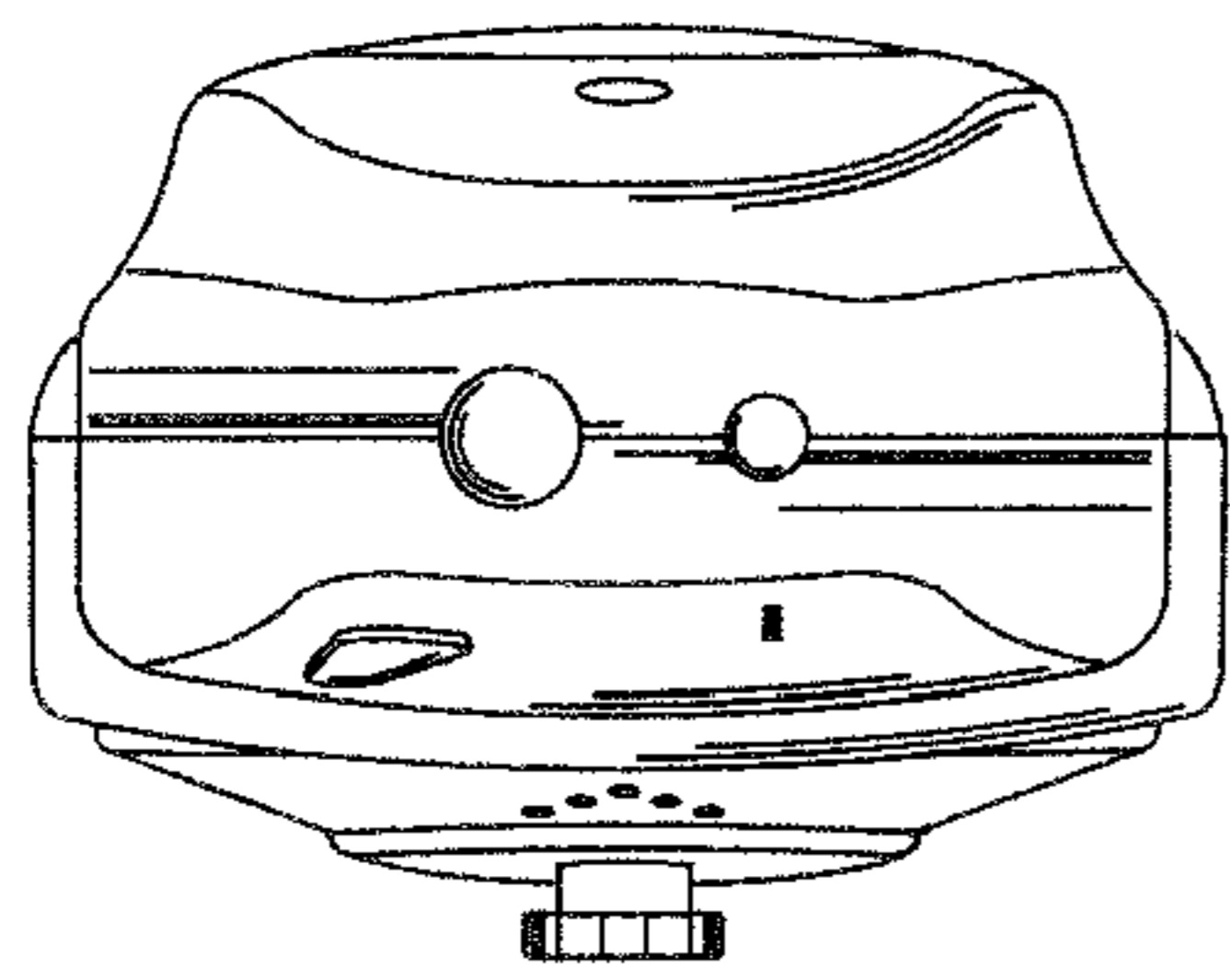


FIG. 3

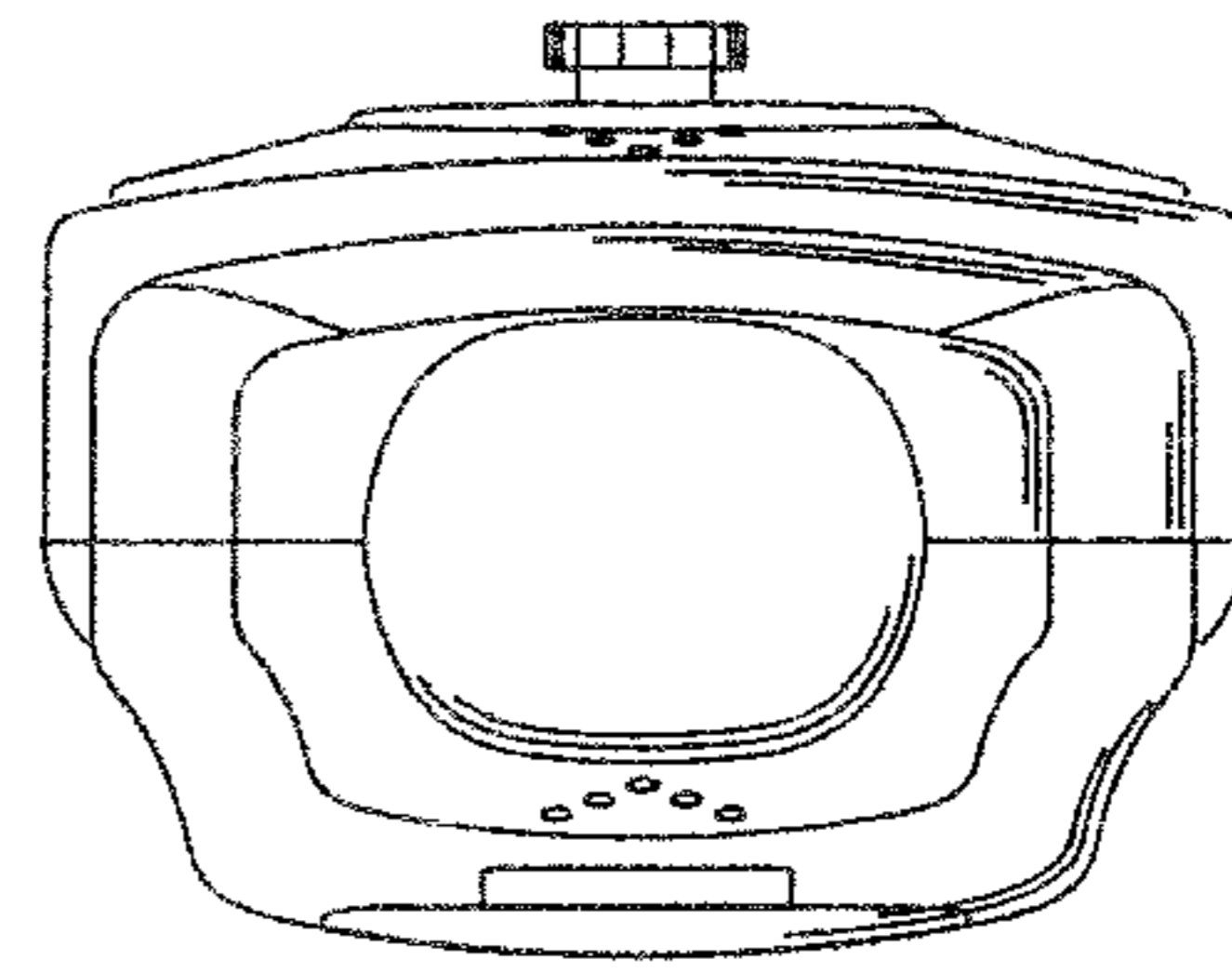


FIG. 4

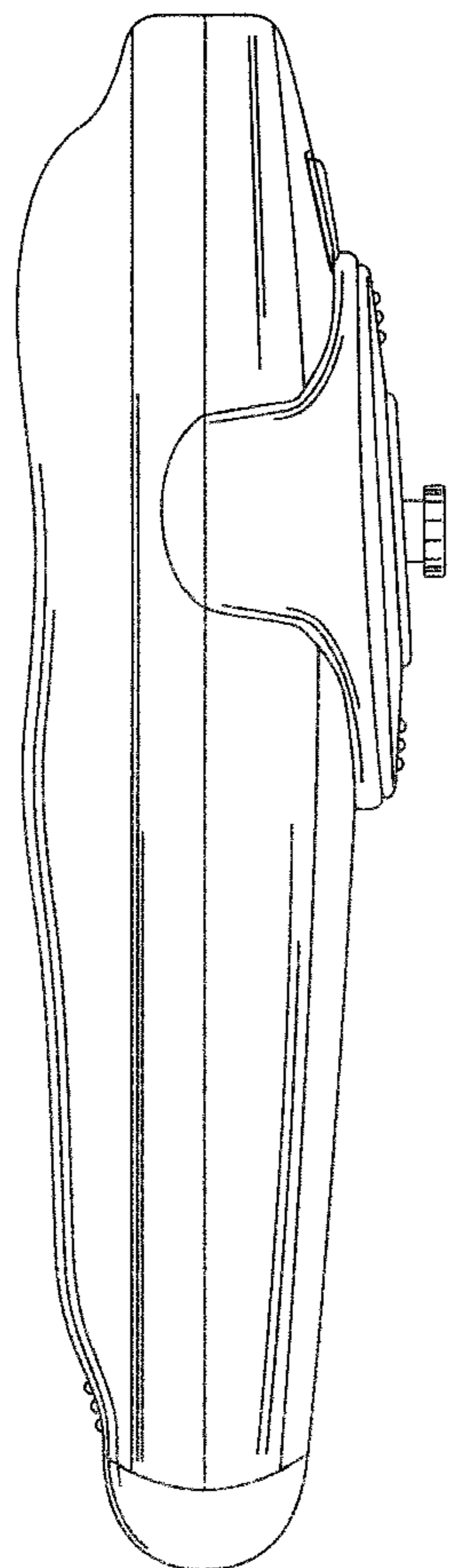


FIG. 5

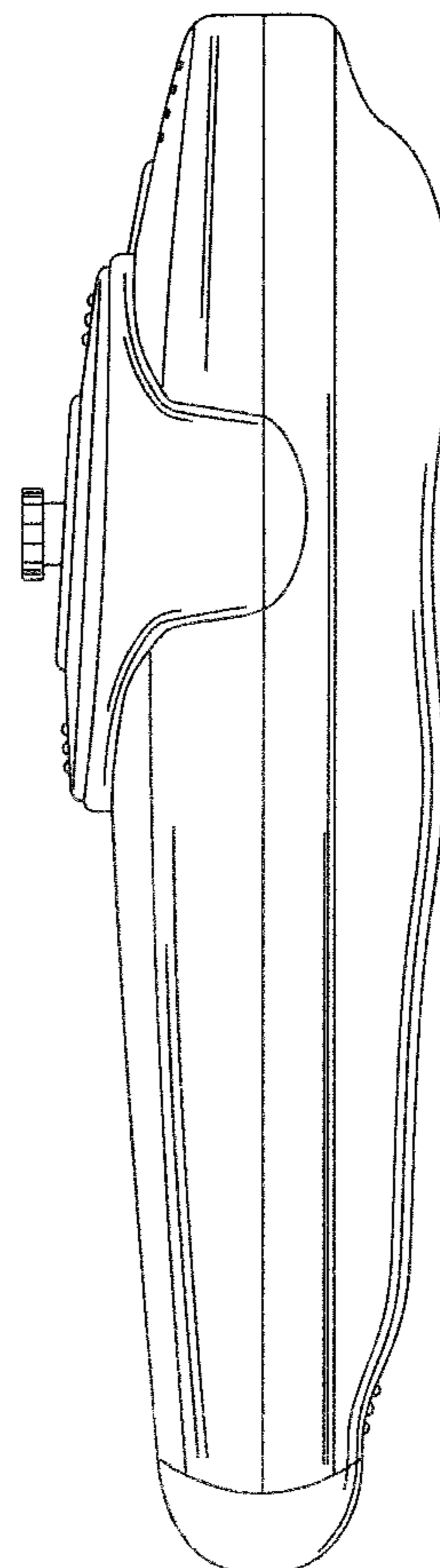


FIG. 6

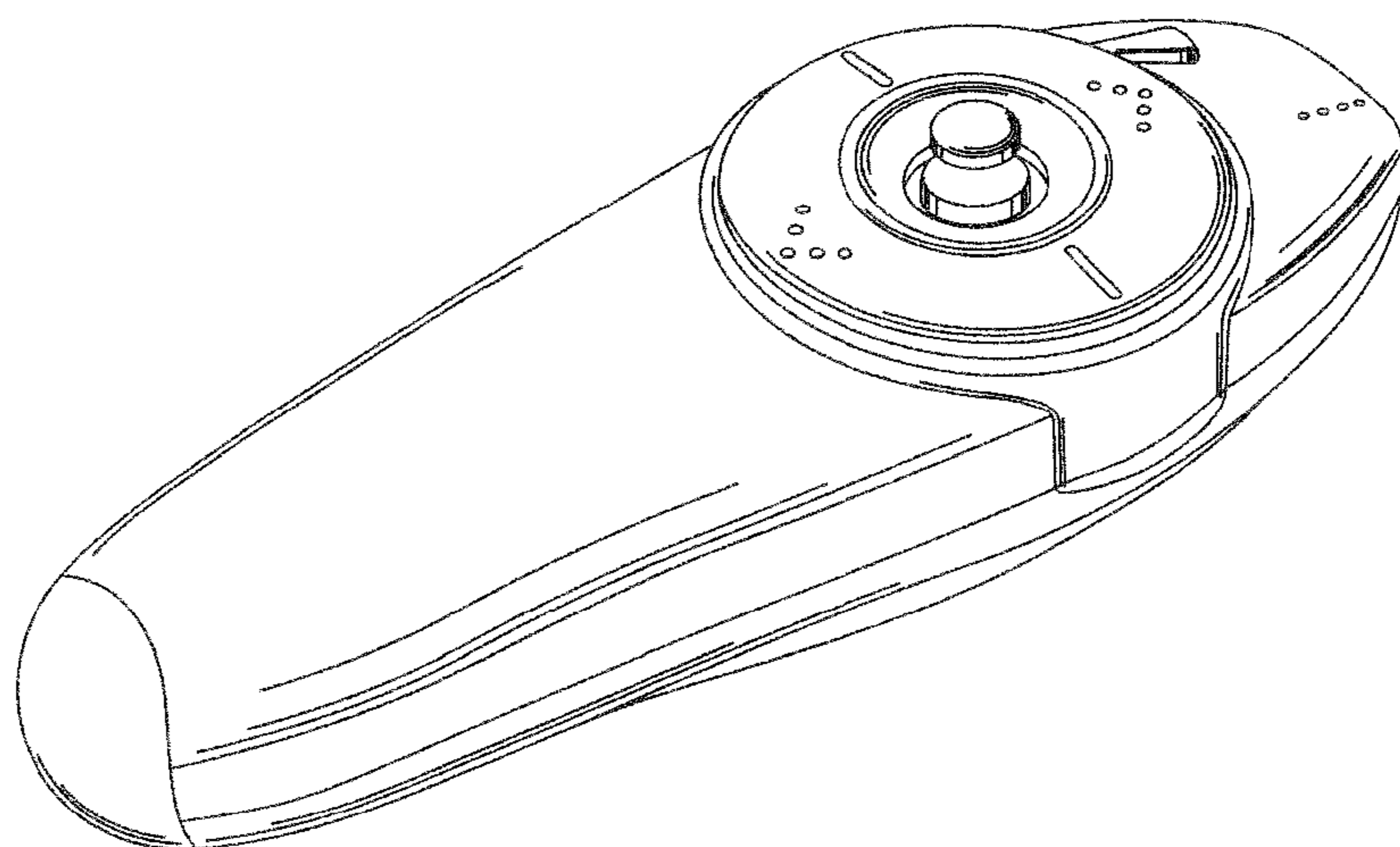


FIG. 7

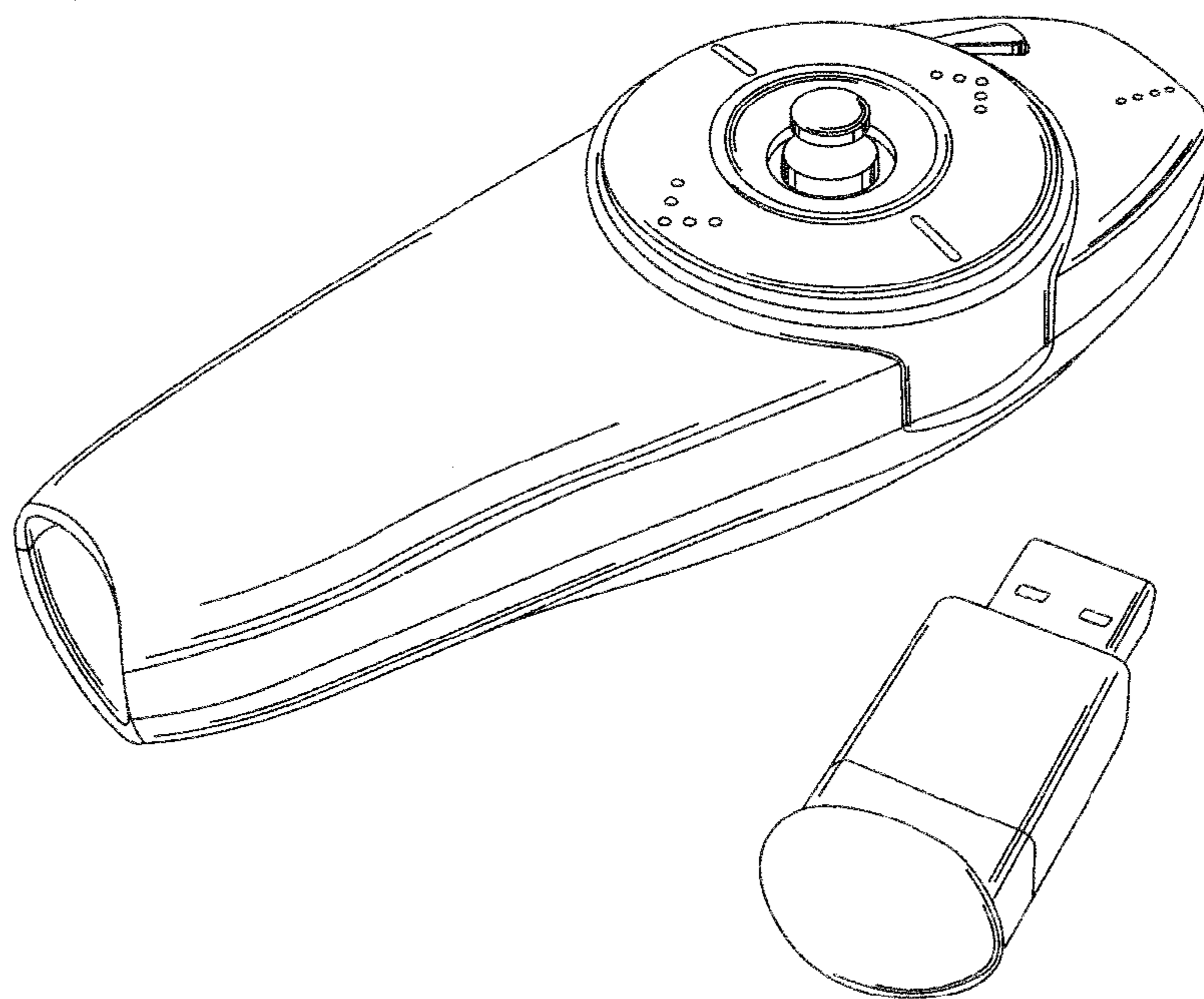


FIG. 8