

US00D570790S

(12) **United States Design Patent**  
**Egea Soler**

(10) **Patent No.:** **US D570,790 S**  
(45) **Date of Patent:** **\*\* Jun. 10, 2008**

- (54) **ELECTRICAL SWITCH PLATE**
- (75) Inventor: **Cristina Egea Soler**, Barcelona (ES)
- (73) Assignee: **Simon, S.A.**, Barcelona (ES)
- (\*\*) Term: **14 Years**
- (21) Appl. No.: **29/295,312**
- (22) Filed: **Sep. 26, 2007**

**Related U.S. Application Data**

- (62) Division of application No. 29/264,792, filed on Aug. 17, 2006.

(30) **Foreign Application Priority Data**

Mar. 10, 2006 (ES) ..... 0502947

- (51) **LOC (8) Cl.** ..... **13-03**
- (52) **U.S. Cl.** ..... **D13/162; D8/353**
- (58) **Field of Classification Search** ..... D8/350-353; D10/108, 123, 125, 116, 118; D13/162, D13/169, 171, 174, 177, 184, 170, 156, 158; 250/462.1; 220/241; 174/66, 67; 200/304, 200/330, 293, 296, 297, 329, 333, 335, 339, 200/341, 520, 530, 537, 552; 307/125, 139

See application file for complete search history.

(56) **References Cited**

**U.S. PATENT DOCUMENTS**

- 2,634,016 A \* 4/1953 Hagen ..... 220/241
- D187,226 S \* 2/1960 Collins ..... D13/177
- D315,145 S \* 3/1991 Pearlman et al. .... D13/169
- 5,036,168 A \* 7/1991 Kikuchi et al. .... 200/5 R
- D323,613 S \* 2/1992 Cummins et al. .... D8/353
- D327,212 S \* 6/1992 Hubben et al. .... D8/353
- D327,657 S \* 7/1992 Marcou et al. .... D10/106
- D331,741 S \* 12/1992 Fujiyoshi ..... D13/169
- D331,742 S \* 12/1992 Fujiyoshi ..... D13/169
- D331,743 S \* 12/1992 Fujiyoshi ..... D13/169
- D379,453 S \* 5/1997 Fabrizi ..... D13/177

- D388,398 S \* 12/1997 Jeong ..... D13/174
- 5,723,817 A \* 3/1998 Arenas et al. .... 174/66
- D394,042 S \* 5/1998 Hwang ..... D13/171
- D408,792 S \* 4/1999 Hwang ..... D13/171
- D461,113 S \* 8/2002 Aubert Capella ..... D8/353
- D461,393 S \* 8/2002 Aubert Capella ..... D8/353
- D493,695 S \* 8/2004 Wengrower ..... D8/353
- D509,151 S \* 9/2005 Takach et al. .... D10/50
- D511,503 S \* 11/2005 Fort et al. .... D13/169
- D511,675 S \* 11/2005 Holger ..... D8/353
- D518,446 S \* 4/2006 Hedderich et al. .... D13/162
- D518,793 S \* 4/2006 Hedderich et al. .... D13/162
- D520,885 S \* 5/2006 Takach et al. .... D10/50
- 7,075,009 B1 \* 7/2006 Rohmer ..... 174/66
- D535,572 S \* 1/2007 Takach et al. .... D10/50
- D537,795 S \* 3/2007 Chen ..... D13/162
- D539,233 S \* 3/2007 Mayo et al. .... D13/162
- D541,137 S \* 4/2007 Fabrizi ..... D8/353
- D542,627 S \* 5/2007 Rohmer et al. .... D8/353
- 7,271,339 B2 \* 9/2007 Dinh ..... 174/66
- 2006/0201694 A1 \* 9/2006 Lindenstrauss et al. .... 174/66
- 2007/0235205 A9 \* 10/2007 Lindenstrauss et al. .... 174/66

\* cited by examiner

*Primary Examiner*—Stella M. Reid  
*Assistant Examiner*—Mark A Goodwin  
(74) *Attorney, Agent, or Firm*—Michael J. Striker

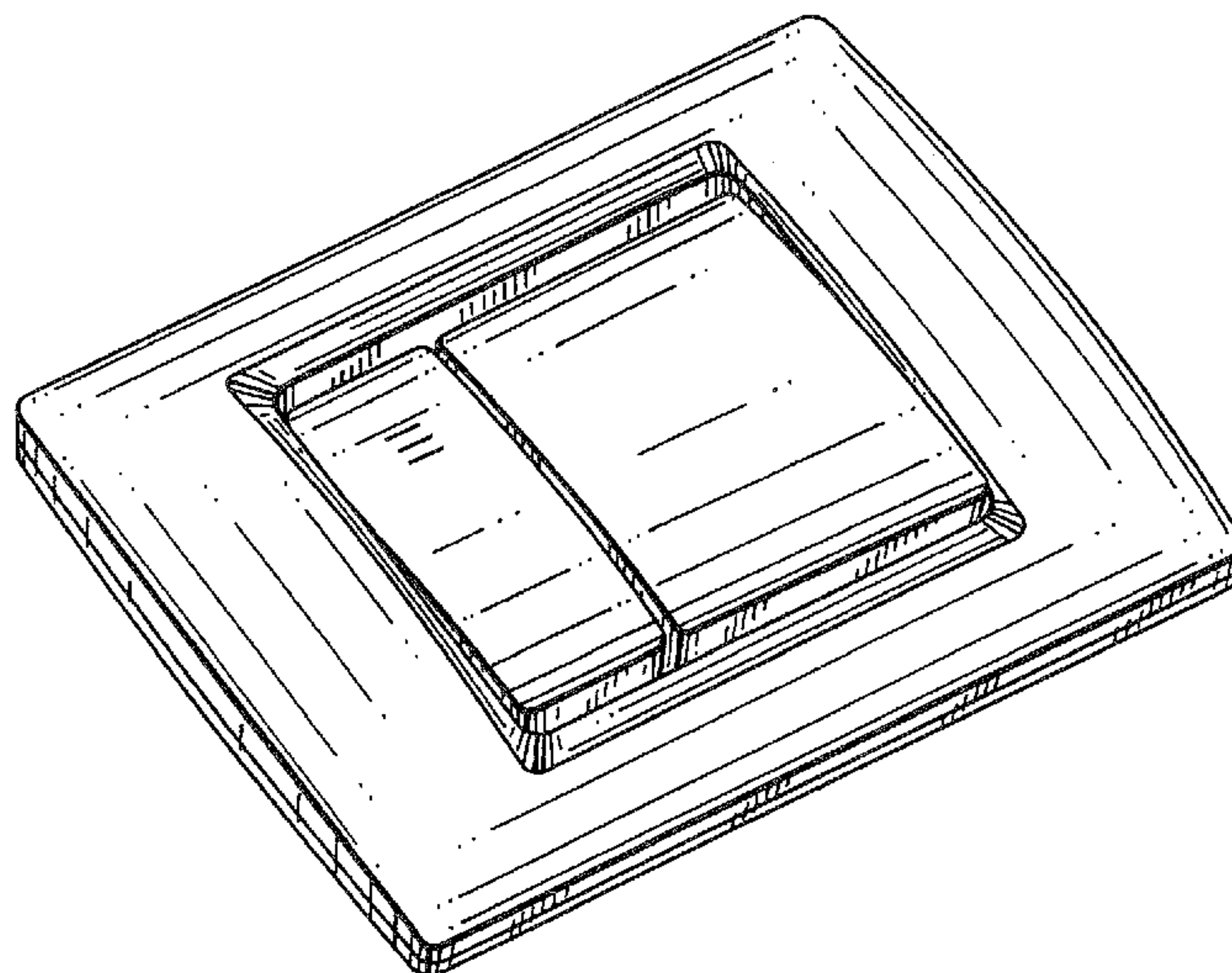
(57) **CLAIM**

The ornamental design for an electrical switch plate, as shown and described.

**DESCRIPTION**

FIG. 1 is a perspective view of an electrical switch plate showing my new design;  
FIG. 2 is a front view thereof which is a mirror image of the rear view thereof;  
FIG. 3 is a top view thereof; and,  
FIG. 4 is a side view thereof which is a mirror image of the opposite side thereof.

**1 Claim, 1 Drawing Sheet**



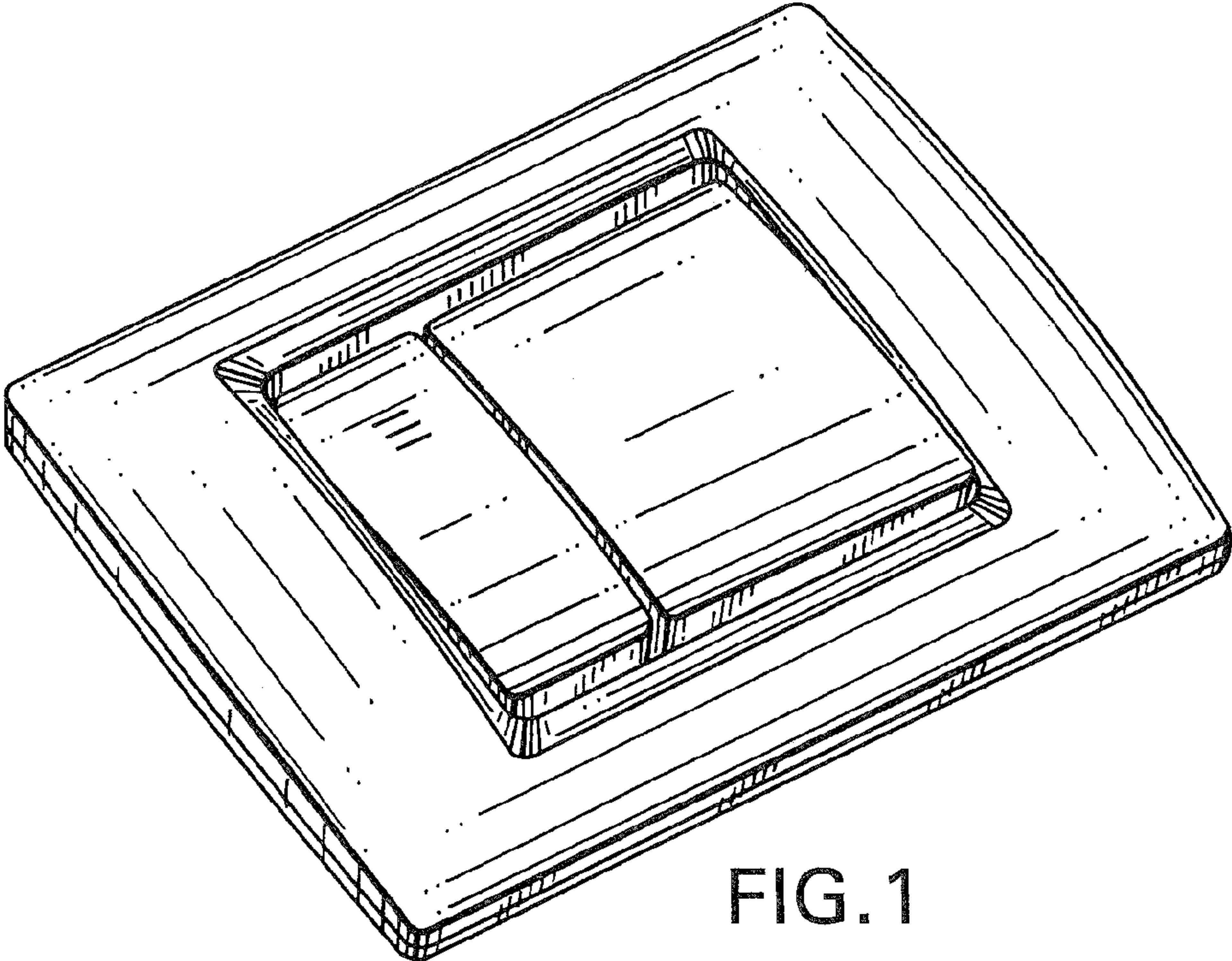


FIG. 1



FIG. 2

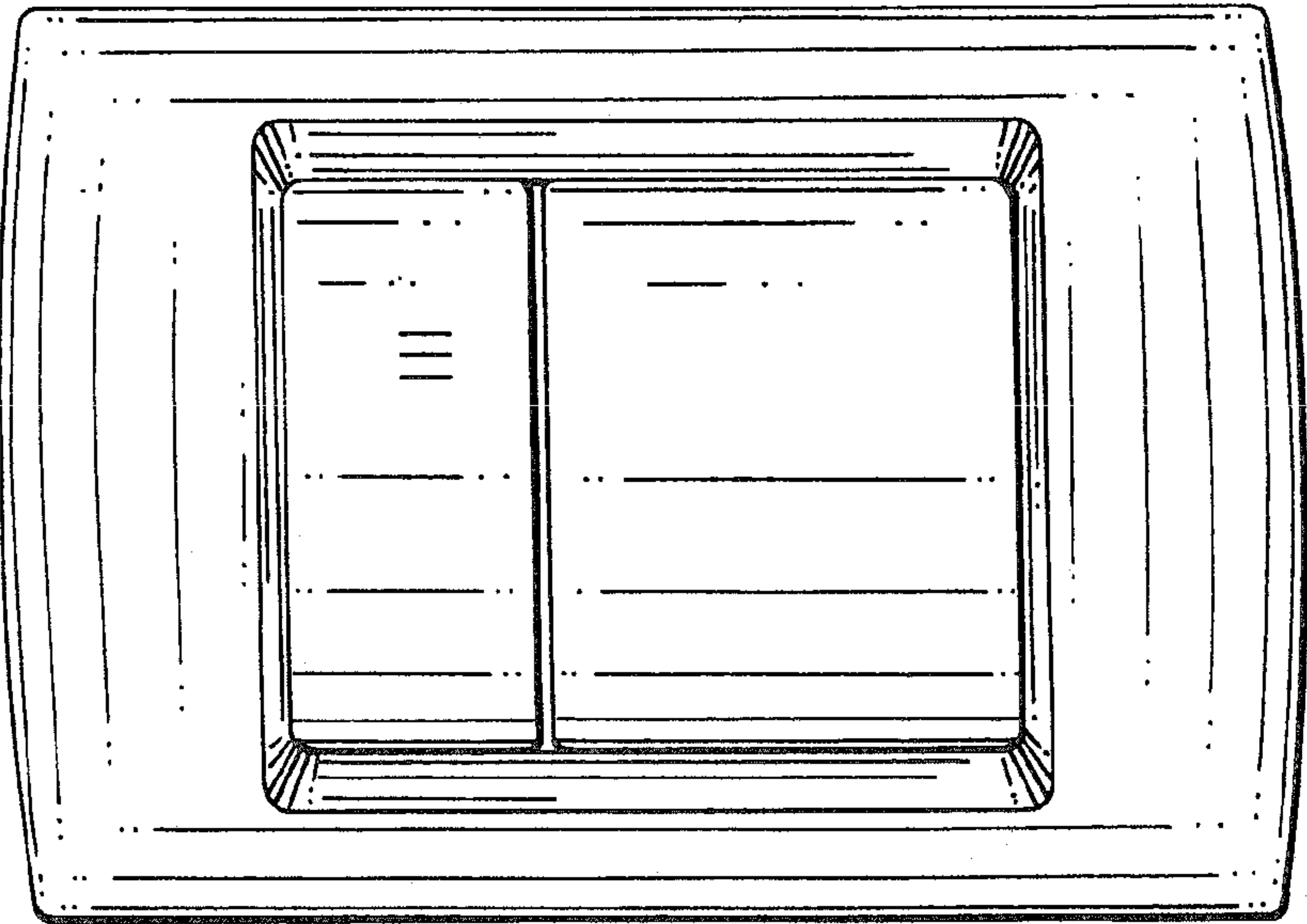


FIG. 3

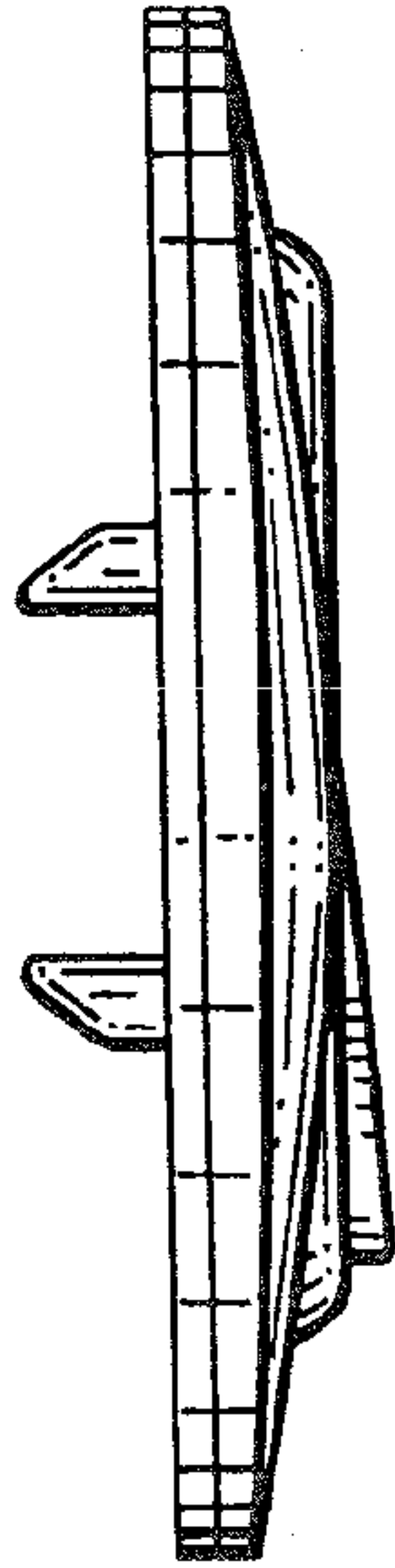


FIG. 4