

US00D570788S

(12) **United States Design Patent** (10) **Patent No.:** **US D570,788 S**
Lee et al. (45) **Date of Patent:** **** Jun. 10, 2008**

(54) **CABLE CONNECTOR**

(75) Inventors: **Noel Lee**, Las Vegas, NV (US);
Kendrew Lee, Fremont, CA (US);
Jacky Hsiung, San Jose, CA (US)

(73) Assignee: **Monster Cable Products, Inc.**,
Brisbane, CA (US)

(**) Term: **14 Years**

(21) Appl. No.: **29/275,074**

(22) Filed: **Dec. 12, 2006**

(51) **LOC (8) Cl.** **13-03**

(52) **U.S. Cl.** **D13/156**

(58) **Field of Classification Search** D13/133,
D13/154, 156, 184; 439/447, 483, 586, 578,
439/606-610, 668-669, 675-676, 889, 892
See application file for complete search history.

(56) **References Cited**

U.S. PATENT DOCUMENTS

3,297,975	A *	1/1967	Pope	439/889
D320,192	S *	9/1991	Sisk	D13/133
5,183,411	A *	2/1993	Yu	439/578
D407,378	S *	3/1999	Lee	D13/156
D453,322	S *	2/2002	Lee	D13/154
D473,194	S *	4/2003	Lee	D13/154
D506,184	S *	6/2005	Sirichai et al.	D13/154
D542,224	S *	5/2007	Victor	D13/154
D543,154	S *	5/2007	Suckle et al.	D13/154
D543,509	S *	5/2007	Victor	D13/154
D549,174	S *	8/2007	Lee et al.	D13/133

* cited by examiner

Primary Examiner—Brian N Vinson

(74) *Attorney, Agent, or Firm*—LaRiviere, Grubman & Payne, LLP

(57) **CLAIM**

The ornamental design for a cable connector, as shown and described.

DESCRIPTION

A portion of the disclosure of this patent document contains material which is subject to copyright protection. The copyright owner has no objection to the facsimile reproduction by any one of the patent document or the patent disclosure, as it appears in the Patent and Trademark Office patent file or records, but otherwise reserves all copyright rights whatsoever.

FIG. 1 is a perspective view of a cable connector showing our new design;

FIG. 2 is a top plan view thereof;

FIG. 3 is a bottom plan view thereof;

FIG. 4 is an additional perspective view thereof,

FIG. 5 is a front elevational view thereof;

FIG. 6 is a side elevational view thereof;

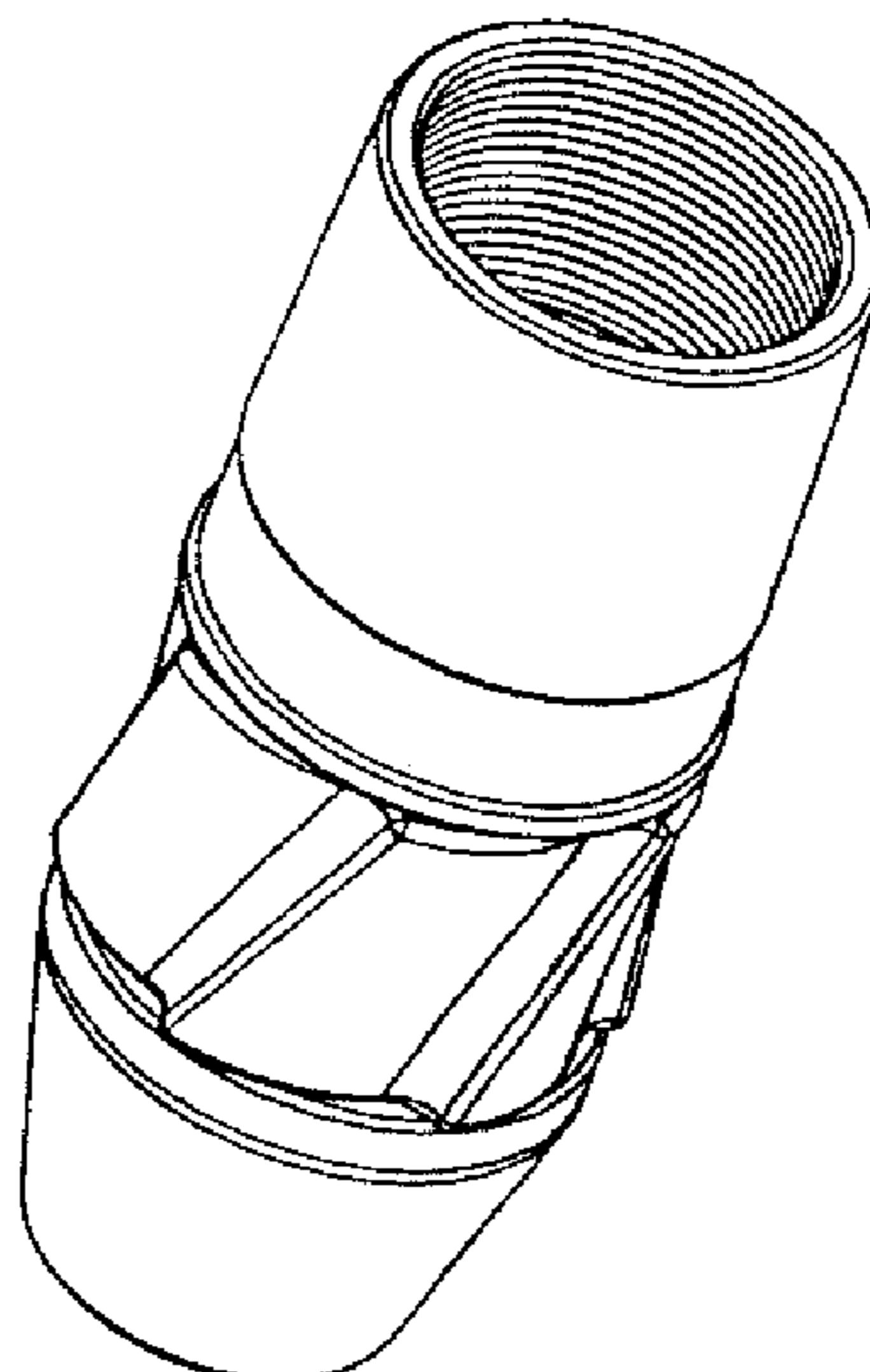
FIG. 7 is an opposite side elevational view thereof;

FIG. 8 is a rear elevational view thereof; and,

FIG. 9 is an additional top plan view thereof.

The broken-line disclosure in the views forms is for illustrative purposes only and forms no part of the claimed design.

1 Claim, 4 Drawing Sheets



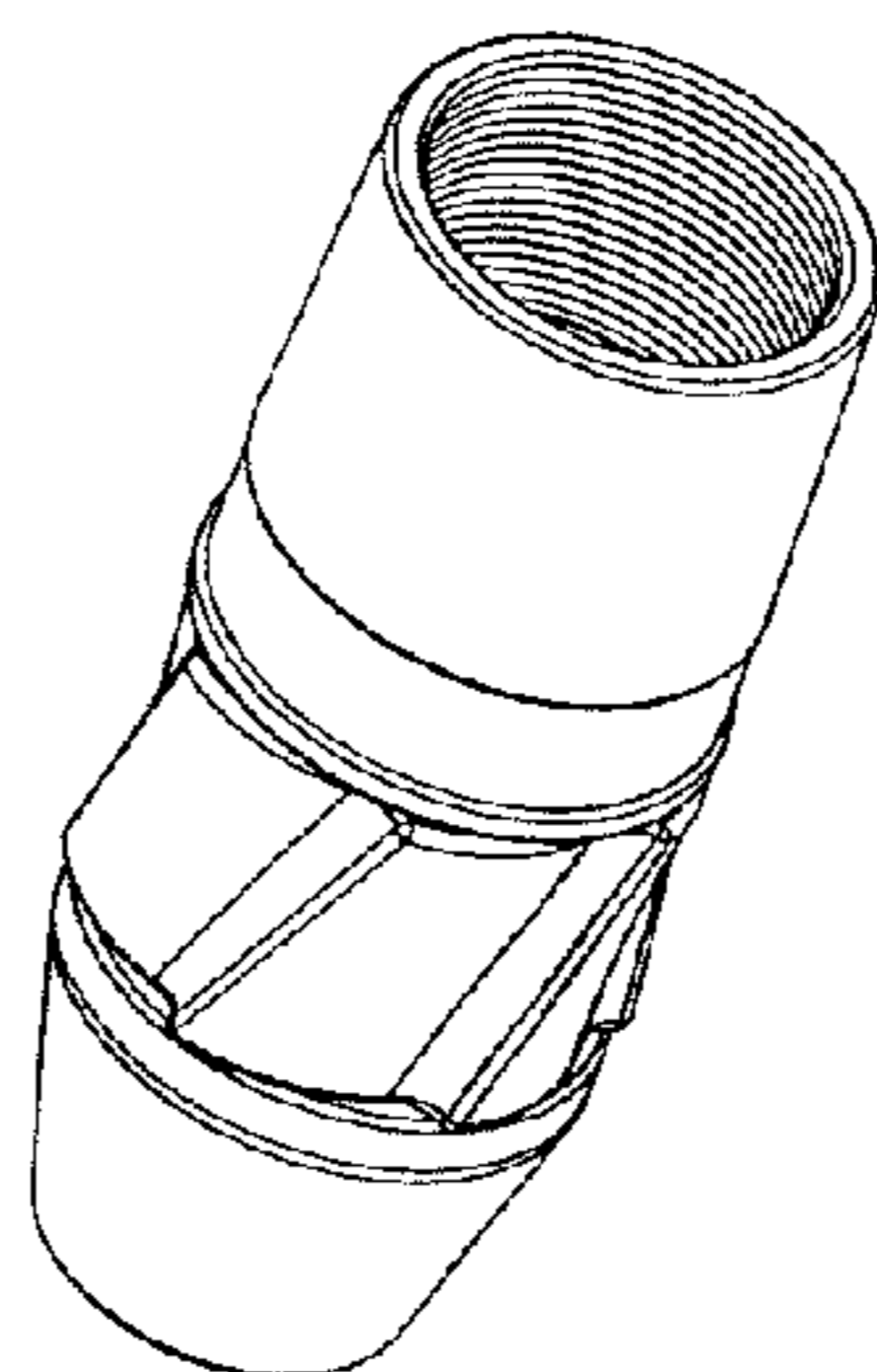


Figure 1

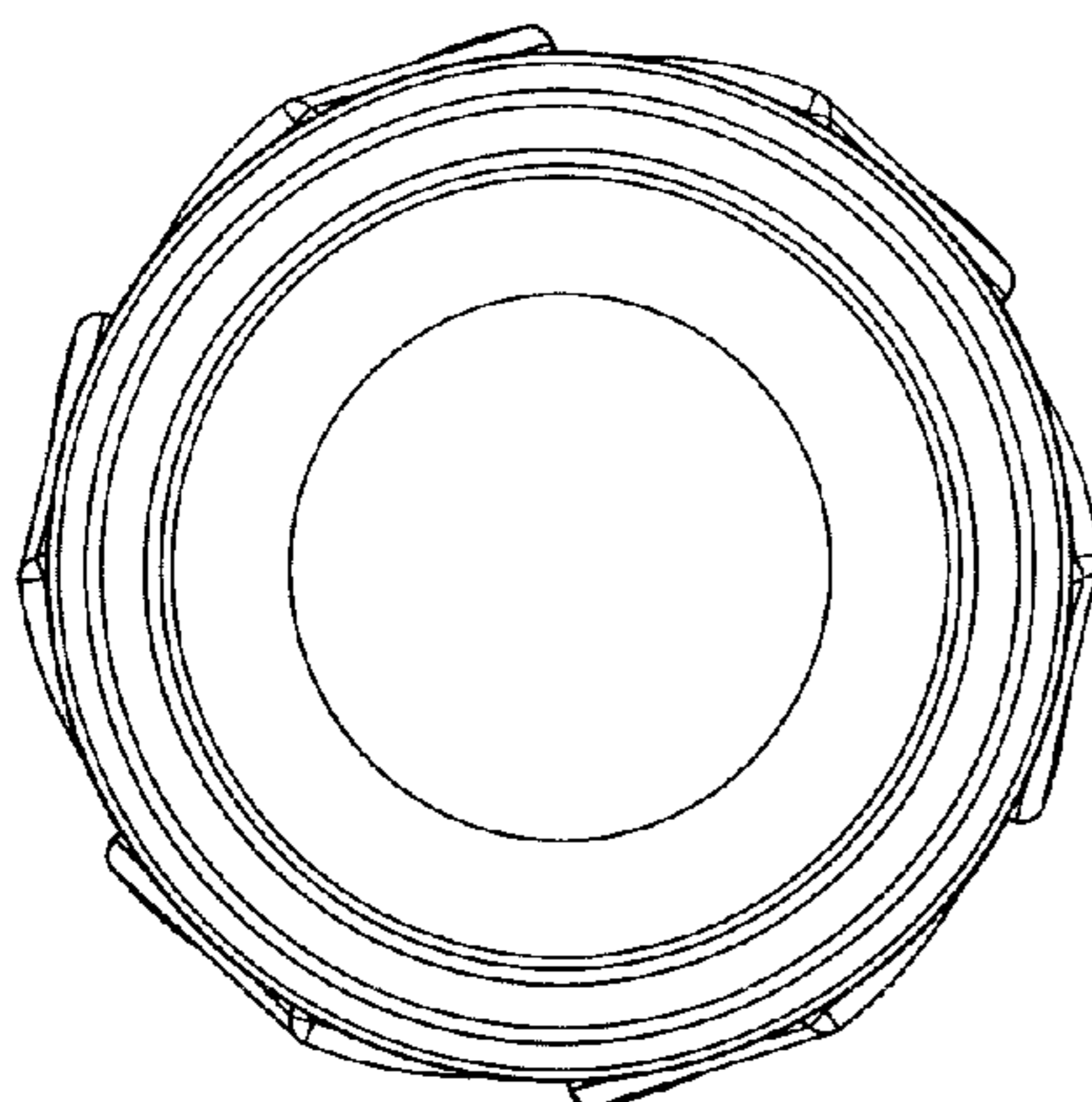


Figure 2

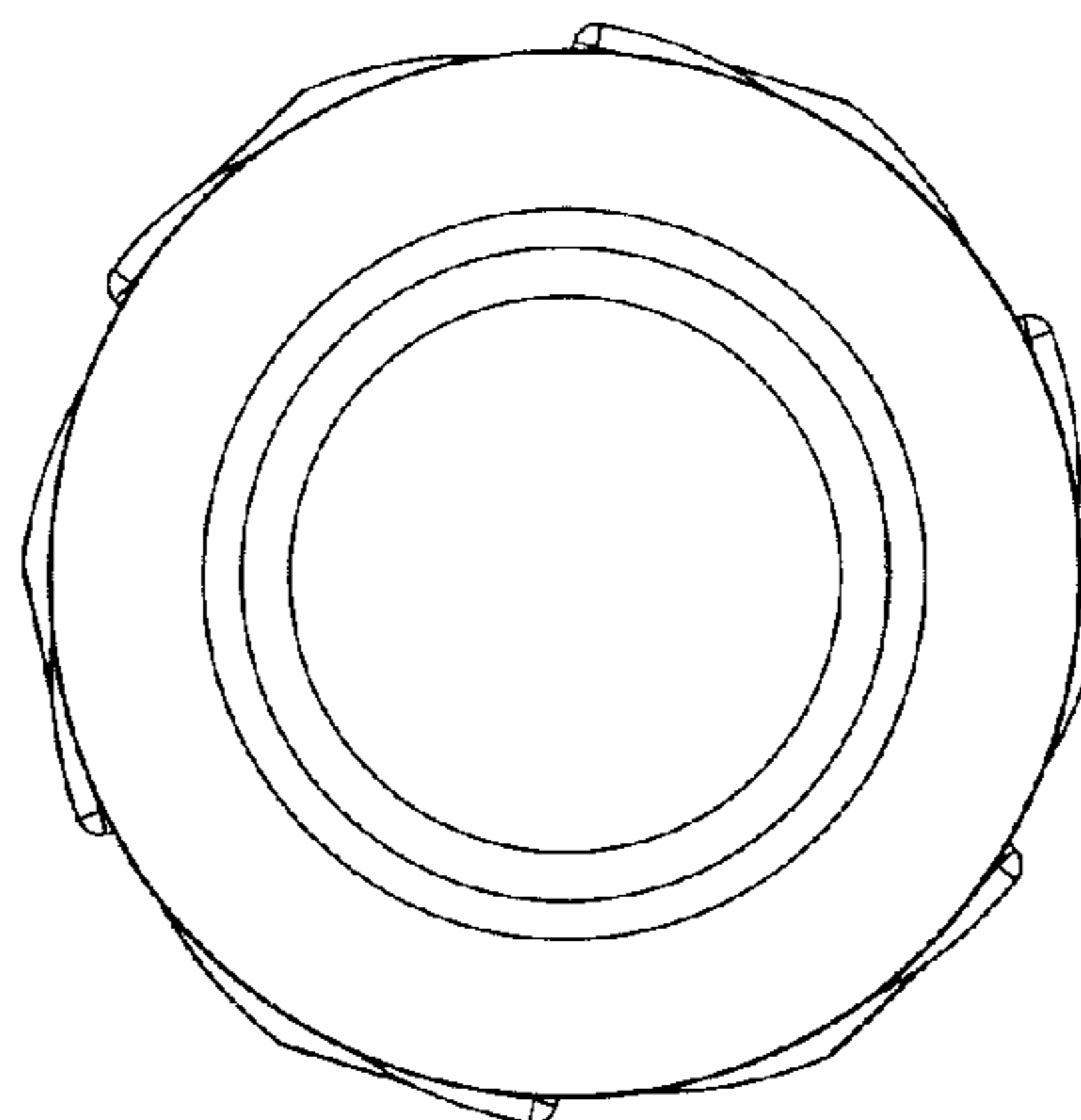


Figure 3

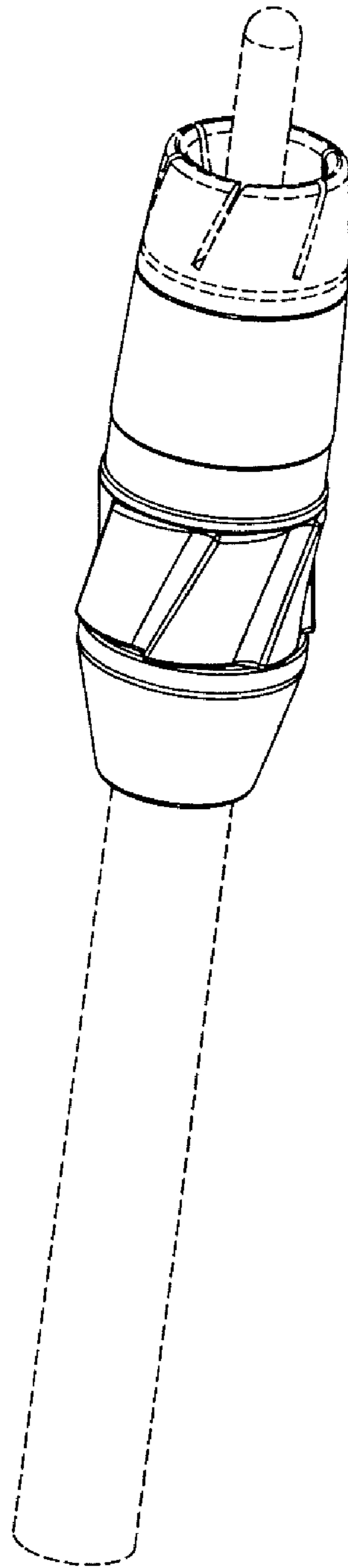


Figure 4

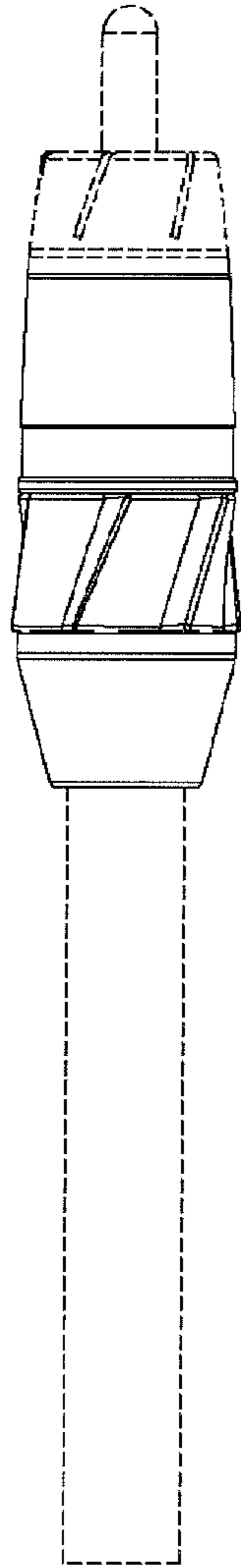


Figure 5

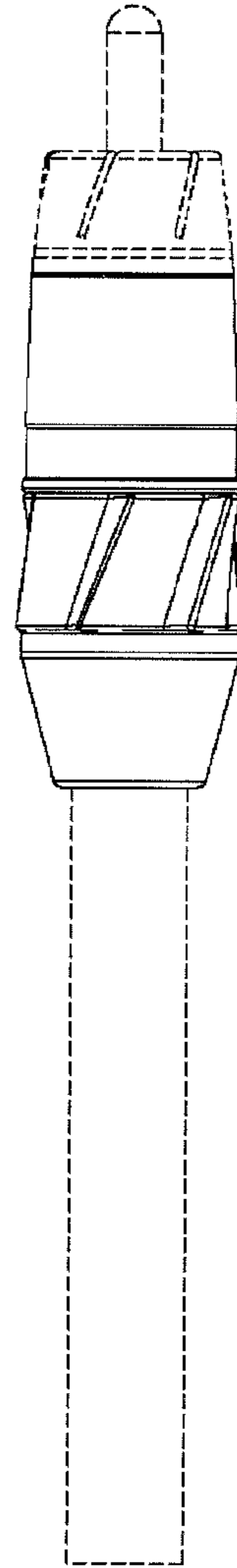


Figure 6

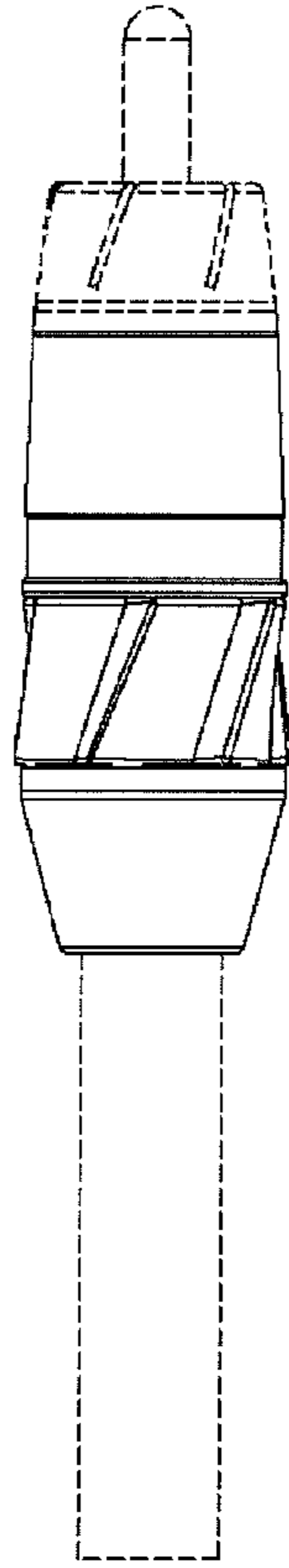


Figure 7

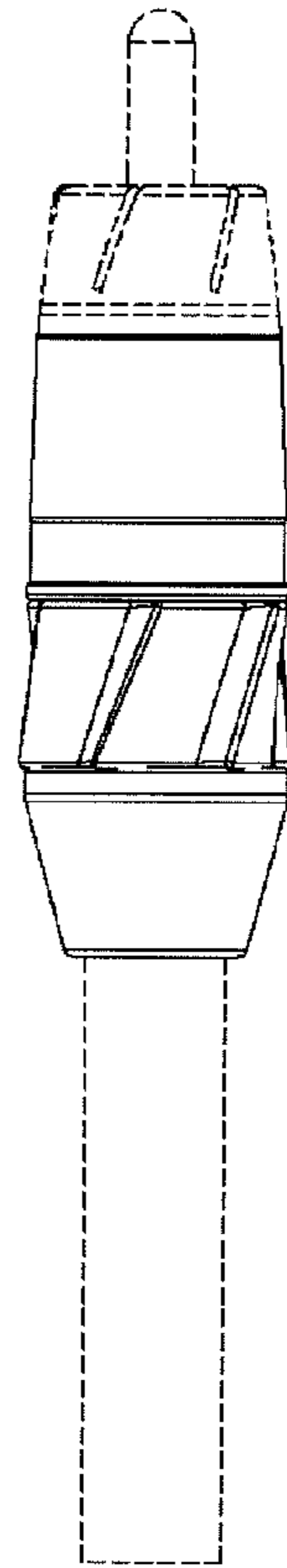


Figure 8

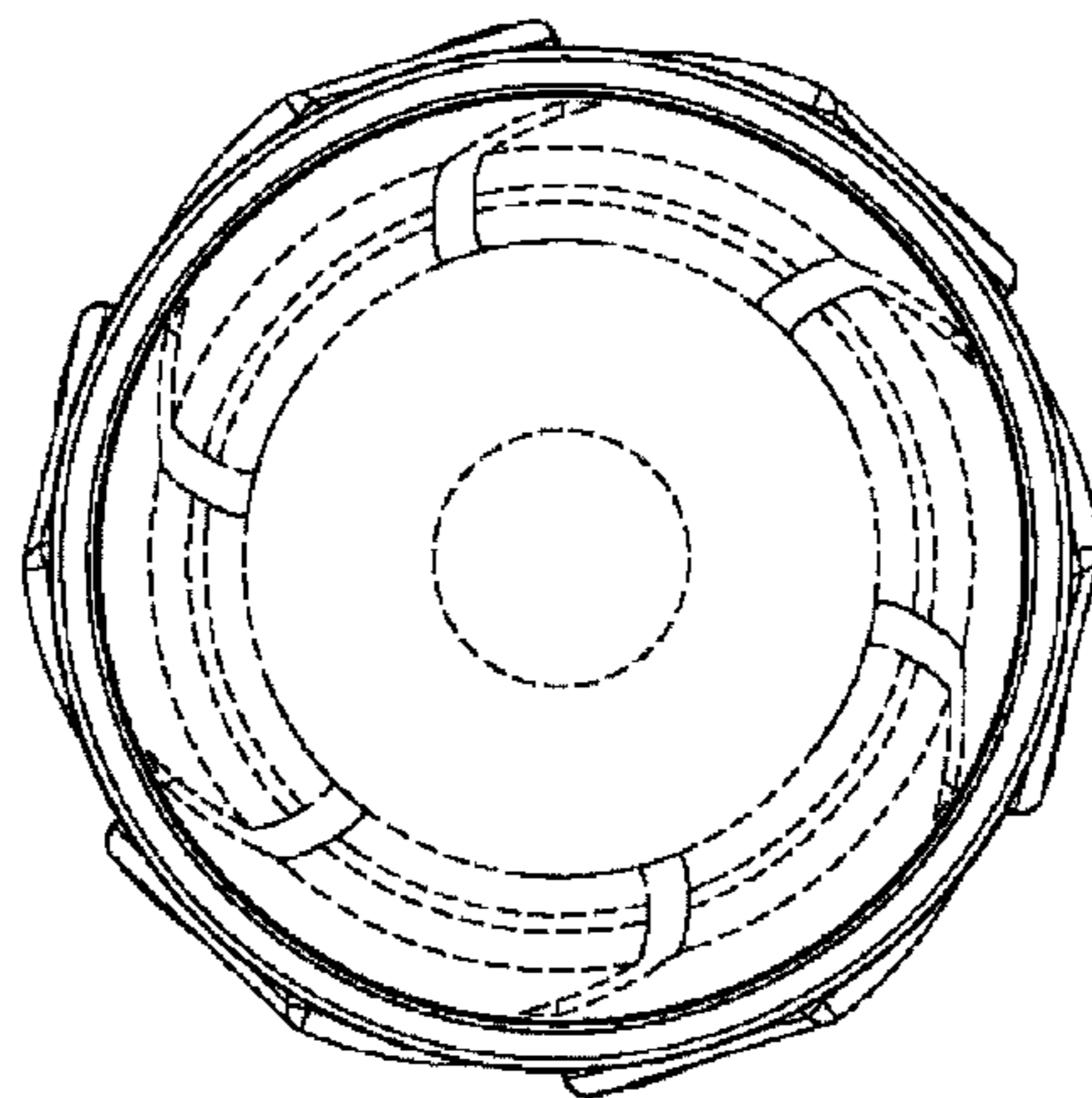


Figure 9