

US00D570785S

(12) **United States Design Patent**  
**Shen et al.**

(10) **Patent No.:** **US D570,785 S**  
(45) **Date of Patent:** **\*\* Jun. 10, 2008**

(54) **I/O CONNECTOR**

(75) Inventors: **Li-Li Shen**, Tu-Cheng (TW); **Hong Tu Zhang**, Tu-Cheng (TW); **Mao Jung Huang**, Tu-Cheng (TW)

(73) Assignee: **Cheng Uei Precision Industry Co., Ltd.**, Taipei Hsien (TW)

(\*\*) Term: **14 Years**

(21) Appl. No.: **29/287,396**

(22) Filed: **Jul. 31, 2007**

(51) **LOC (8) Cl.** ..... **13-03**

(52) **U.S. Cl.** ..... **D13/147; D13/133**

(58) **Field of Classification Search** ..... D13/133,  
D13/146, 147, 154, 184, 199; 439/108, 352,  
439/354, 357, 358, 374, 567, 607, 608, 609,  
439/610, 656, 676, 680

See application file for complete search history.

(56) **References Cited**

**U.S. PATENT DOCUMENTS**

D196,111 S *	8/1963	Krehbiel .....	D13/147
D310,993 S *	10/1990	Ohkura et al. ....	D13/146
D317,148 S *	5/1991	Kozono et al. ....	D13/146
5,141,452 A *	8/1992	Yoneda et al. ....	439/595
D405,053 S *	2/1999	Tan et al. ....	D13/147
D413,101 S *	8/1999	Avery et al. ....	D13/147

D425,869 S *	5/2000	Yokomizo et al. ....	D13/147
6,607,308 B2 *	8/2003	Dair et al. ....	385/92
D479,199 S *	9/2003	Jones et al. ....	D13/147
D529,444 S *	10/2006	Kudo .....	D13/147
D531,960 S *	11/2006	Kondas .....	D13/147

\* cited by examiner

*Primary Examiner*—Daniel D Bui

(74) *Attorney, Agent, or Firm*—Rsoenberg, Klein & Lee

(57) **CLAIM**

The ornamental design for an I/O connector, as shown and described.

**DESCRIPTION**

FIG. 1 is a perspective view of an I/O connector showing our new design;

FIG. 2 is a front elevational view thereof;

FIG. 3 is a rear elevational view thereof;

FIG. 4 is a left side elevational view thereof;

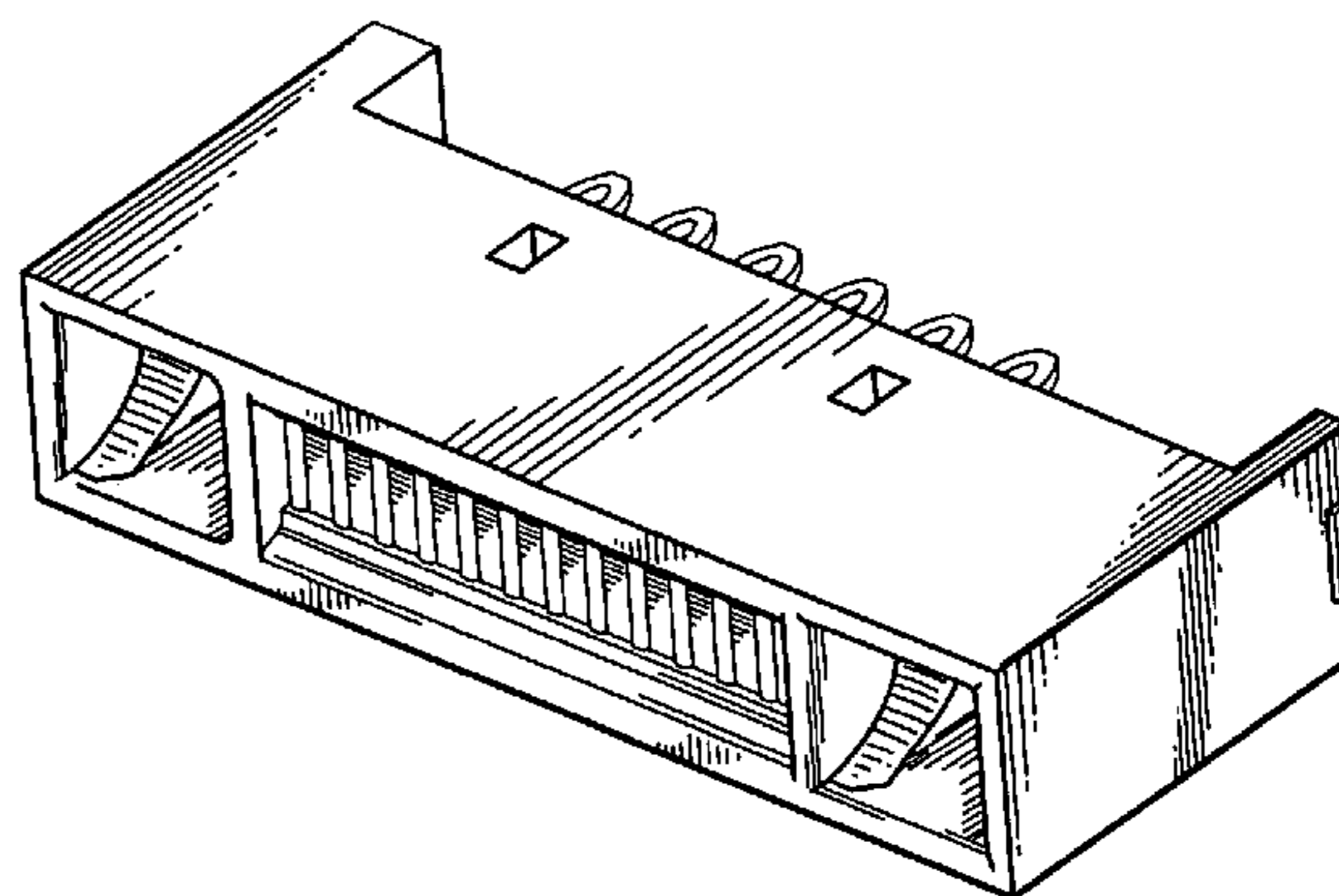
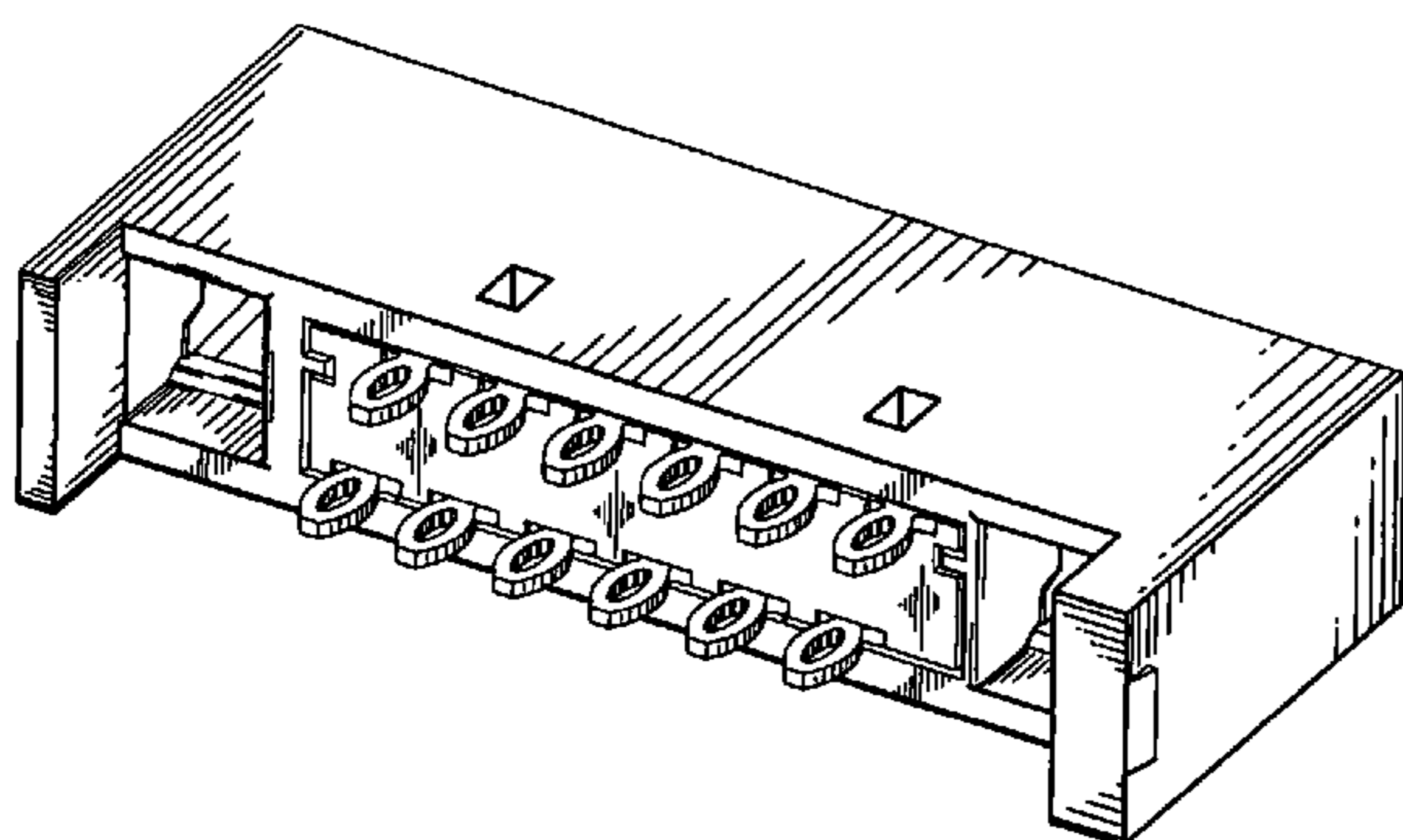
FIG. 5 is a right side elevational view thereof;

FIG. 6 is a top plan view thereof;

FIG. 7 is a bottom plan view thereof; and,

FIG. 8 is another perspective view of an I/O connector showing our new design.

**1 Claim, 8 Drawing Sheets**



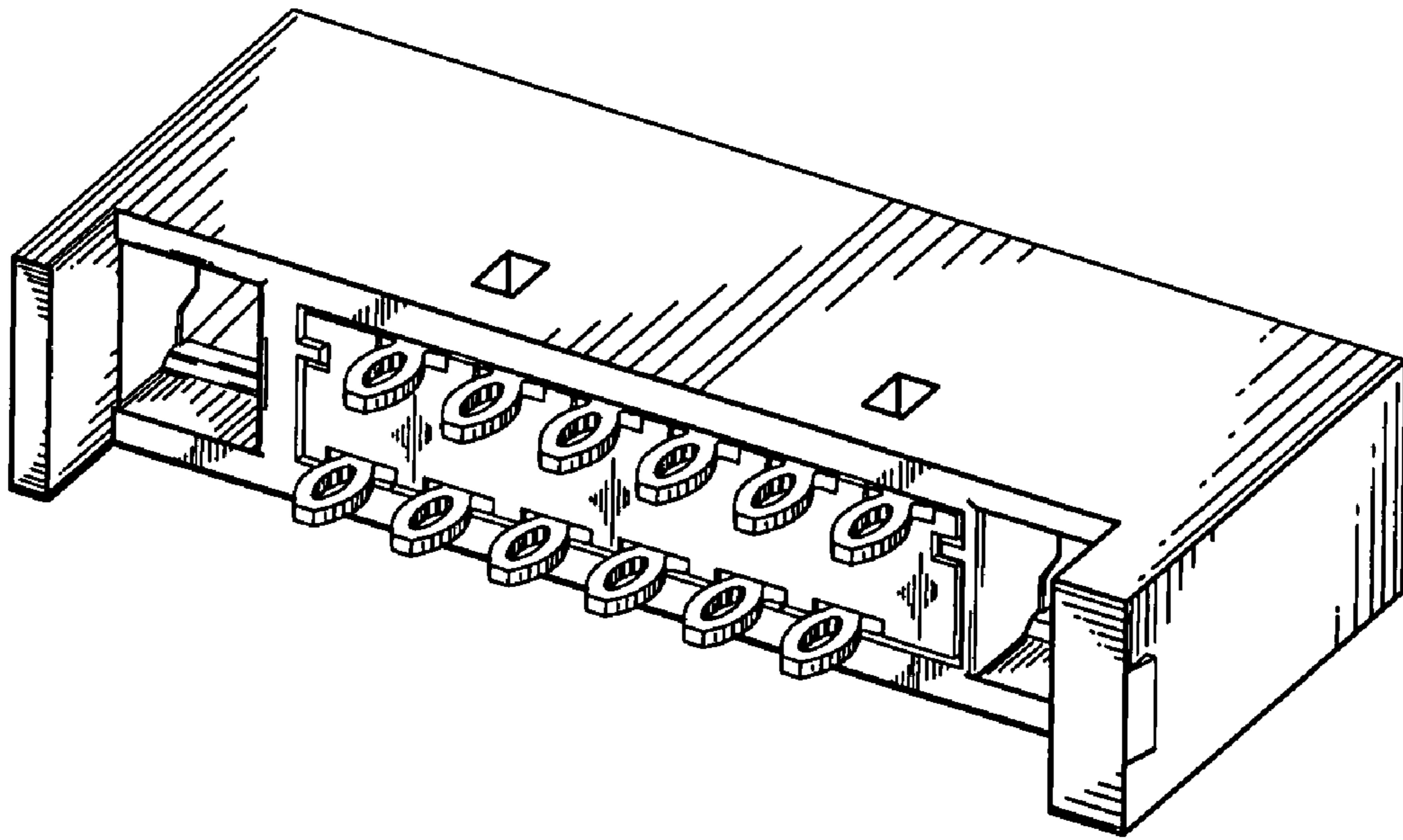


FIG. 1

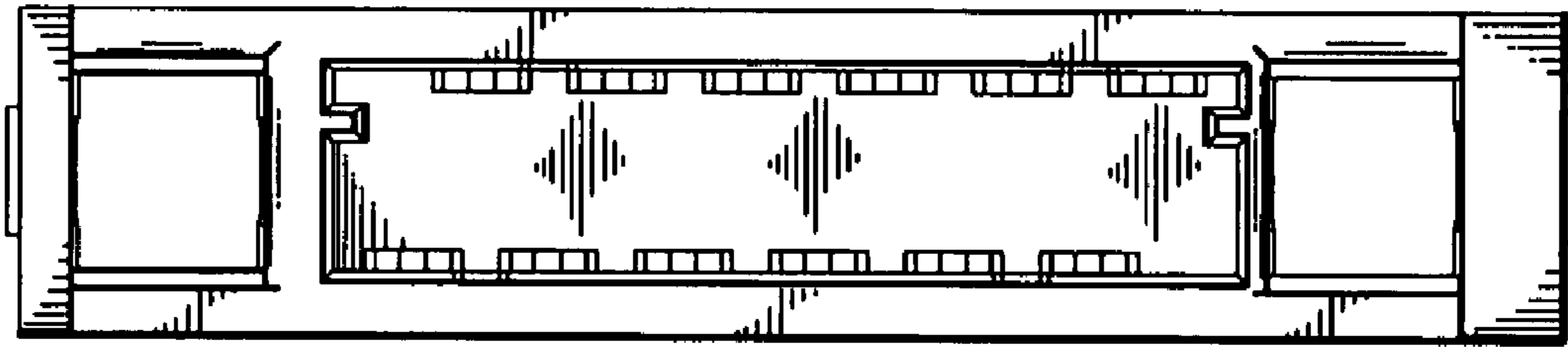


FIG. 2

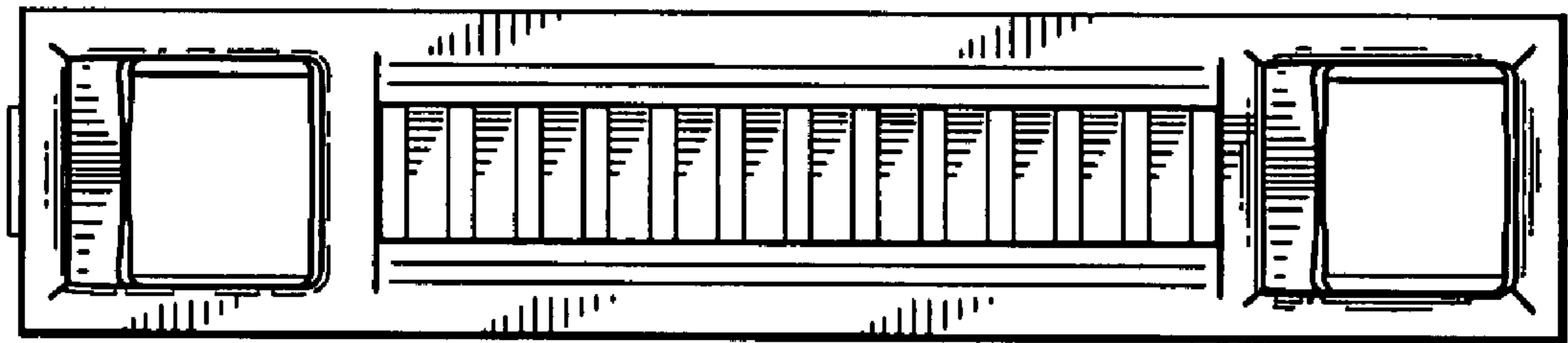


FIG. 3

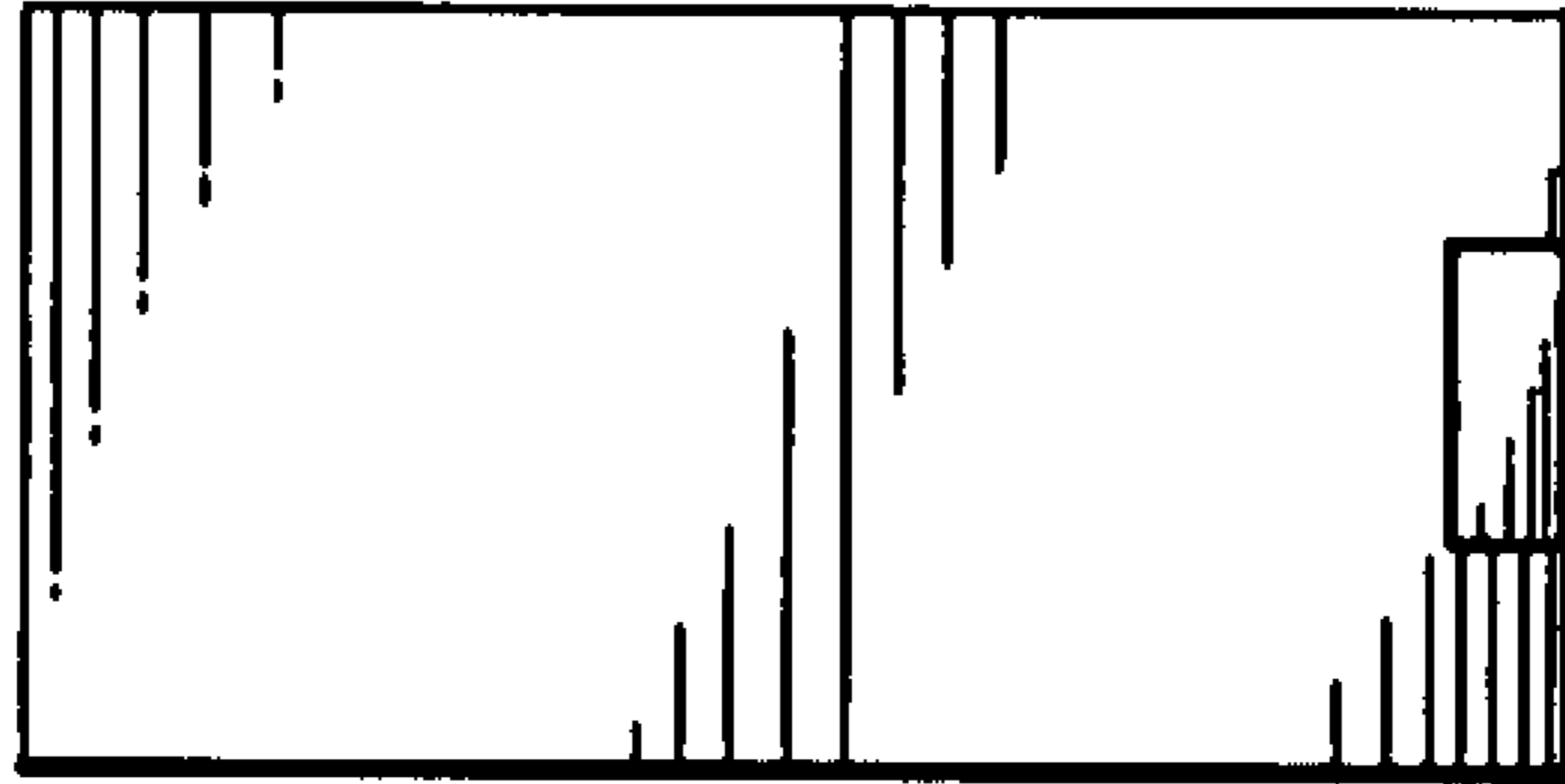


FIG. 4

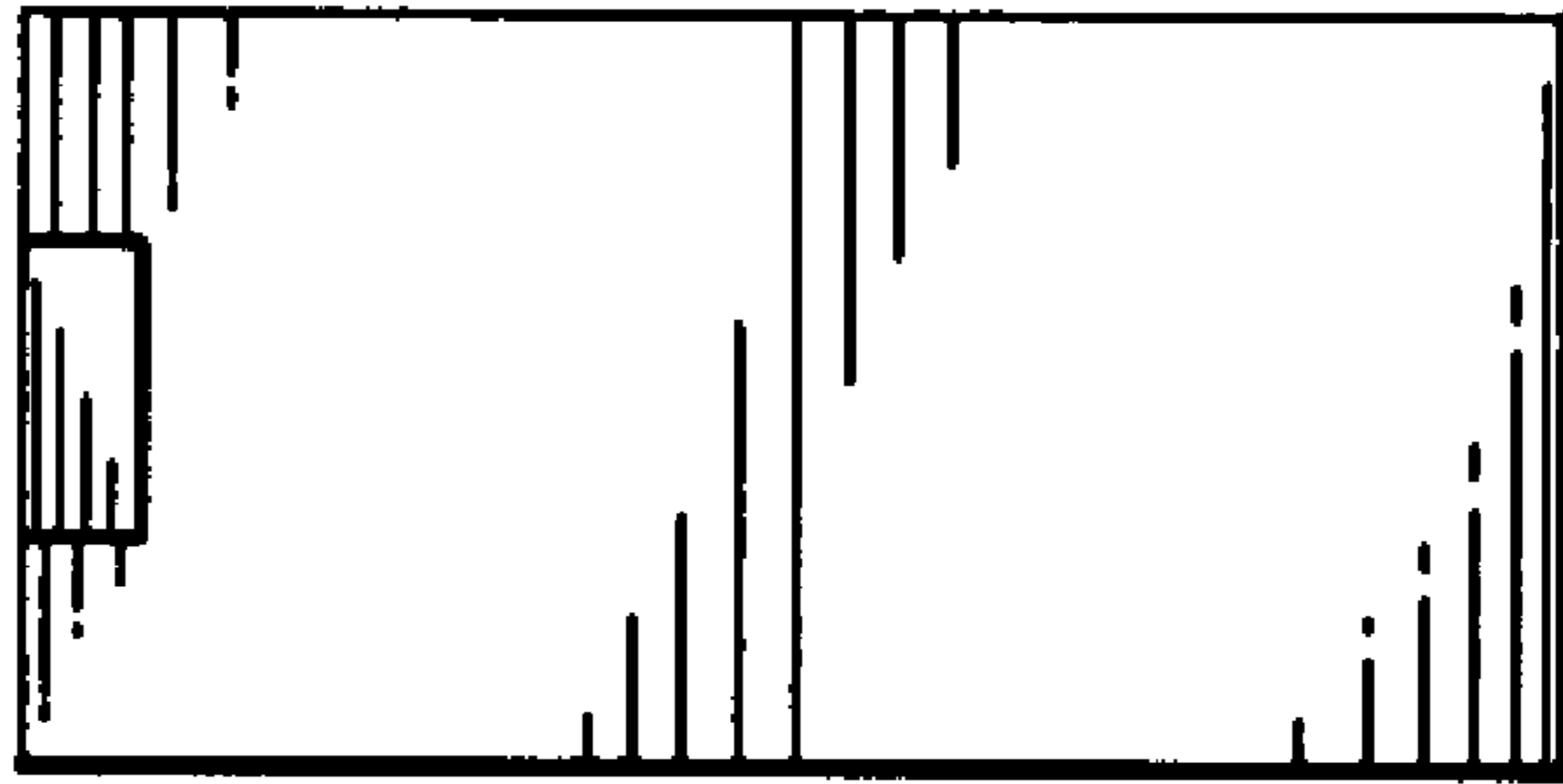


FIG. 5

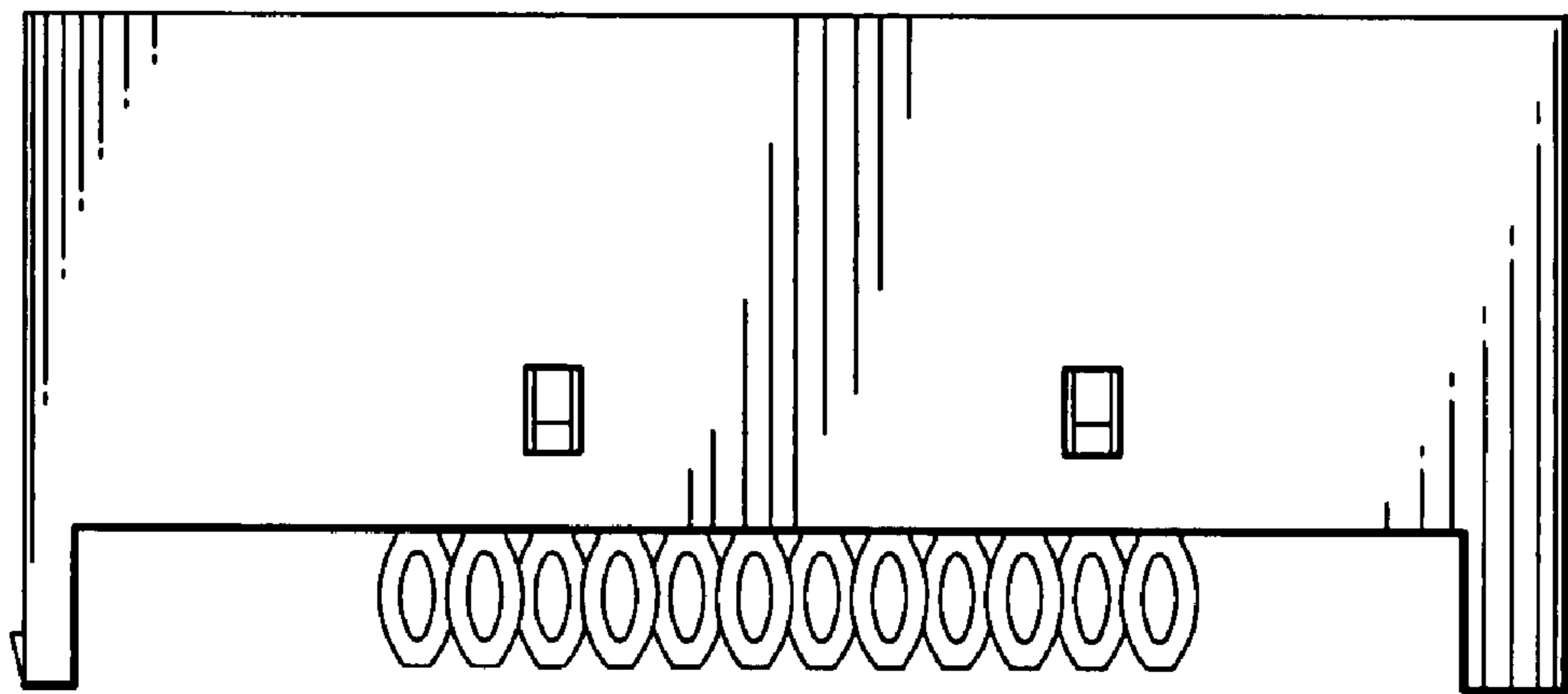


FIG. 6

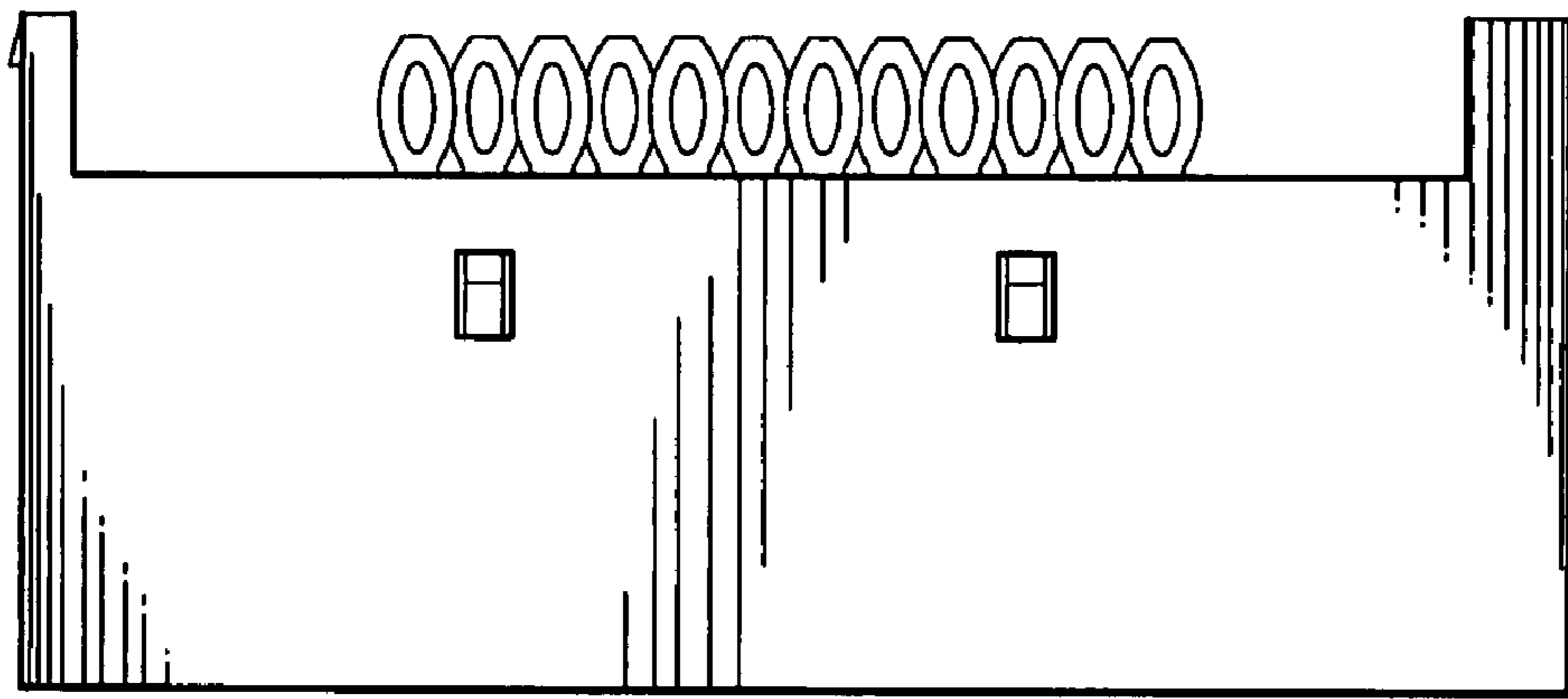


FIG. 7



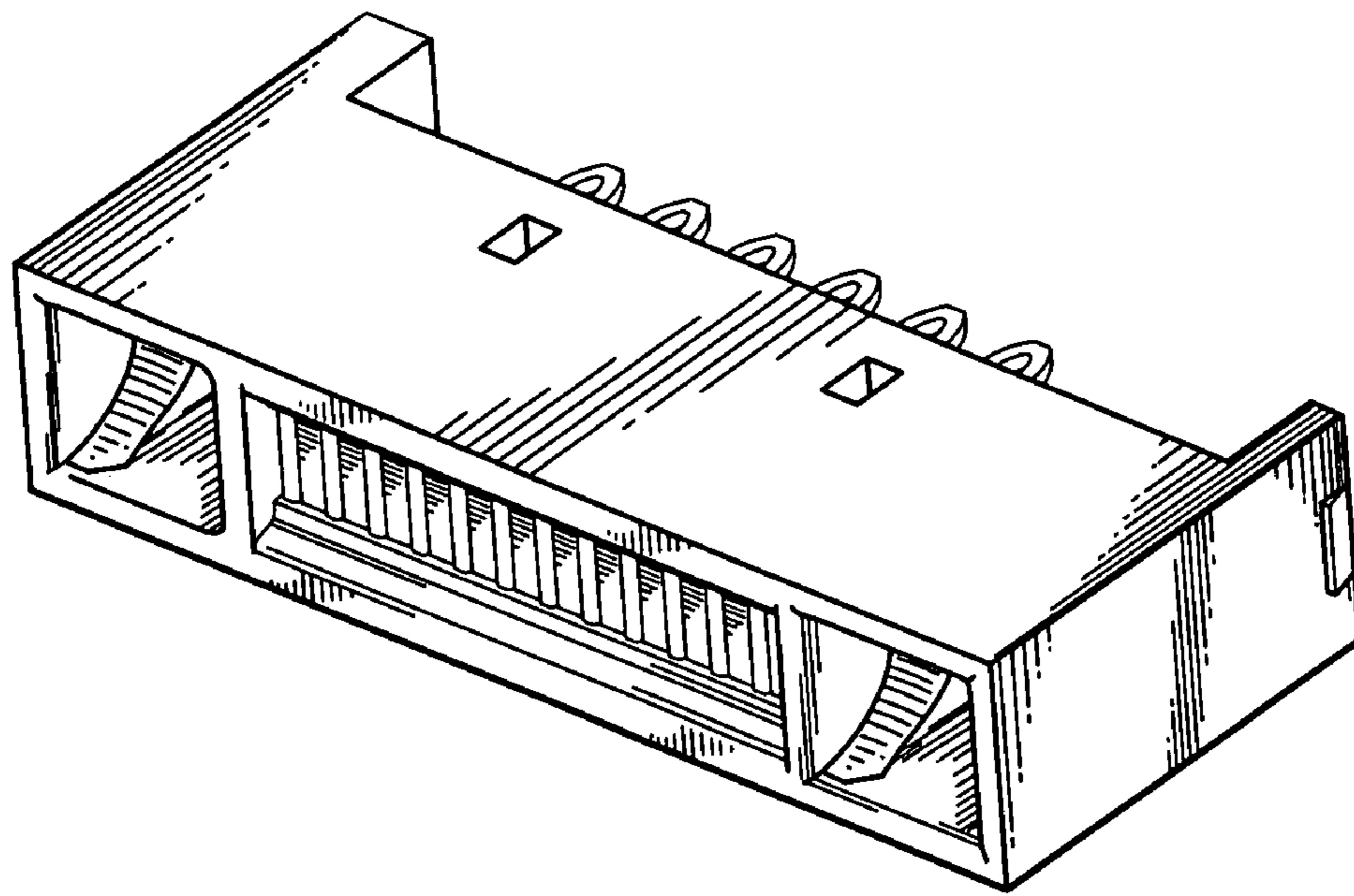


FIG. 8