

US00D570784S

(12) **United States Design Patent**
Lin et al.

(10) **Patent No.:** **US D570,784 S**
(45) **Date of Patent:** **** Jun. 10, 2008**

(54) **CONNECTOR**

(75) Inventors: **Kuo Chin Lin**, Tu-Cheng (TW); **Hsin Min Chao**, Tu-Cheng (TW); **Hua Lian Li**, Tu-Cheng (TW); **Feng Zhu**, Tu-Cheng (TW)

(73) Assignee: **Cheng Uei Precision Industry Co., Ltd.**, Taipei Hsien (TW)

(**) Term: **14 Years**

(21) Appl. No.: **29/270,216**

(22) Filed: **Dec. 19, 2006**

(51) **LOC (8) Cl.** **13-03**

(52) **U.S. Cl.** **D13/147**

(58) **Field of Classification Search** D13/133,
D13/146-147, 153, 154, 184, 199; 439/79,
439/607-610, 660, 680-682, 686
See application file for complete search history.

(56) **References Cited**

U.S. PATENT DOCUMENTS

D351,136 S * 10/1994 Kurata D13/147
D410,896 S * 6/1999 Yotsutani et al. D13/147

D451,887 S * 12/2001 Yu et al. D13/147
6,439,926 B1 * 8/2002 Kuan 439/607
D518,439 S * 4/2006 Su D13/147
D519,458 S * 4/2006 Su D13/147
D519,461 S * 4/2006 Su D13/147

* cited by examiner

Primary Examiner—Daniel Bui

(74) *Attorney, Agent, or Firm*—Rosenberg, Klein & Lee

(57) **CLAIM**

The ornamental design for a connector, as shown and described.

DESCRIPTION

FIG. 1 is a perspective view of a connector showing our new design;

FIG. 2 is a front elevational view thereof;

FIG. 3 is a rear elevational view thereof;

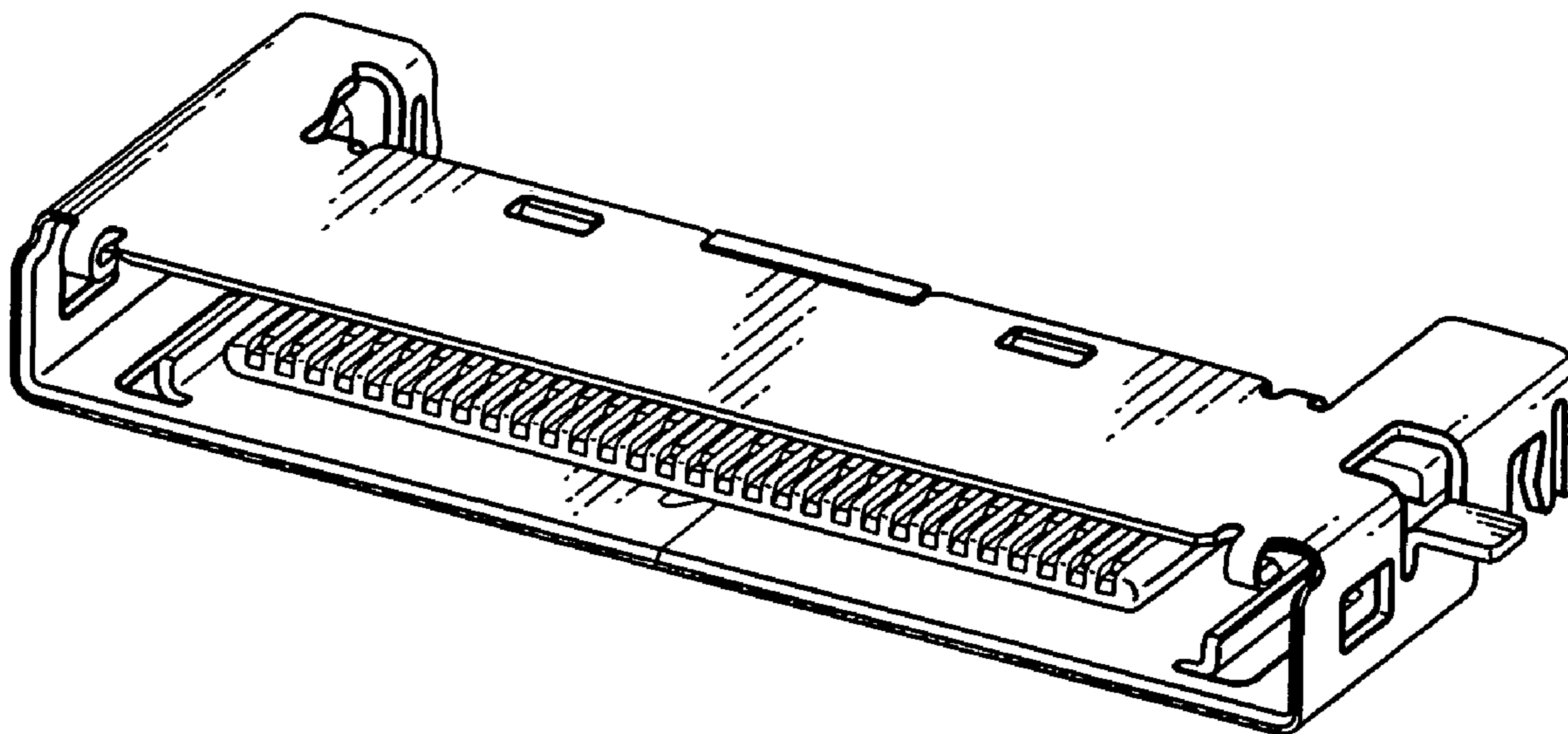
FIG. 4 is a left side elevational view thereof;

FIG. 5 is a right side elevational view thereof;

FIG. 6 is a top plan view thereof, on an enlarged scale; and,

FIG. 7 is a bottom plan view thereof.

1 Claim, 7 Drawing Sheets



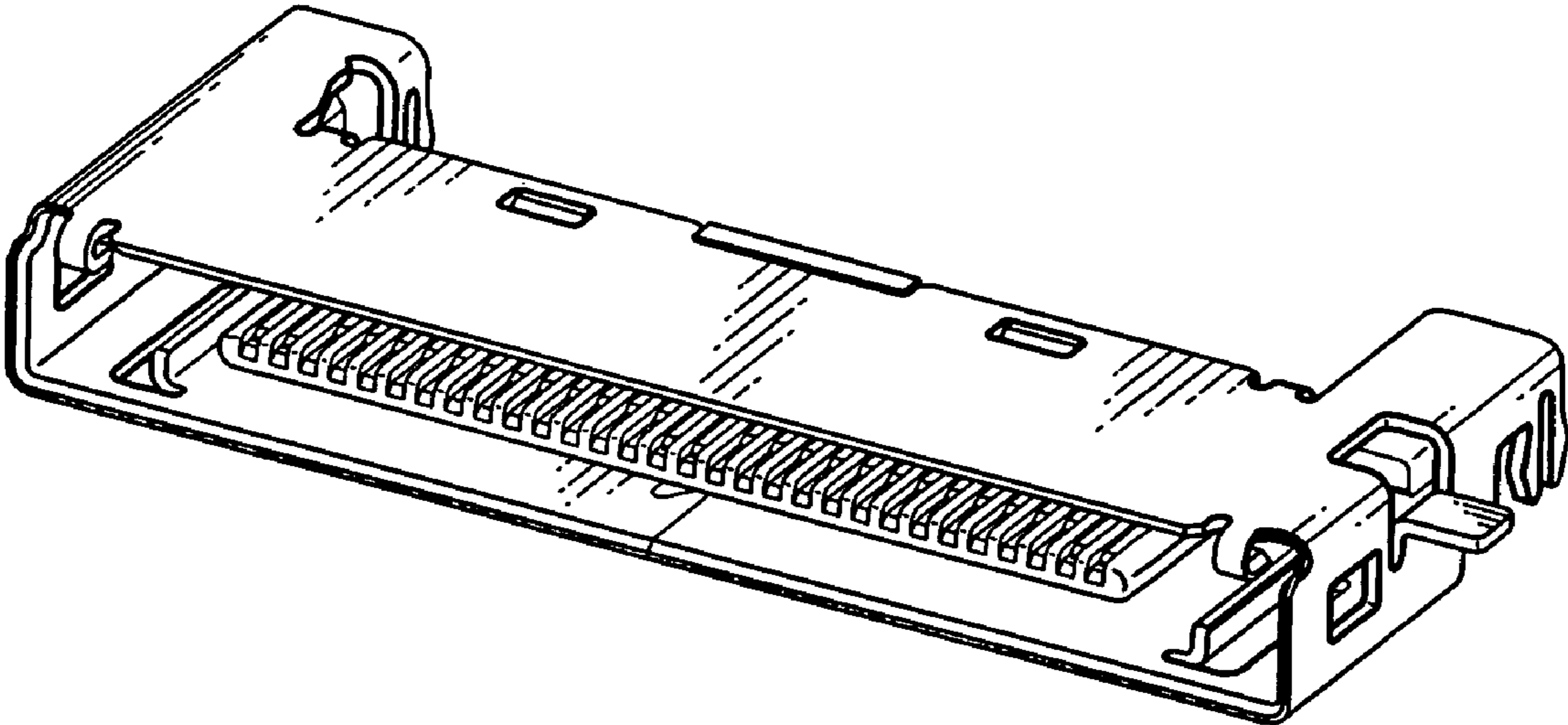


FIG. 1

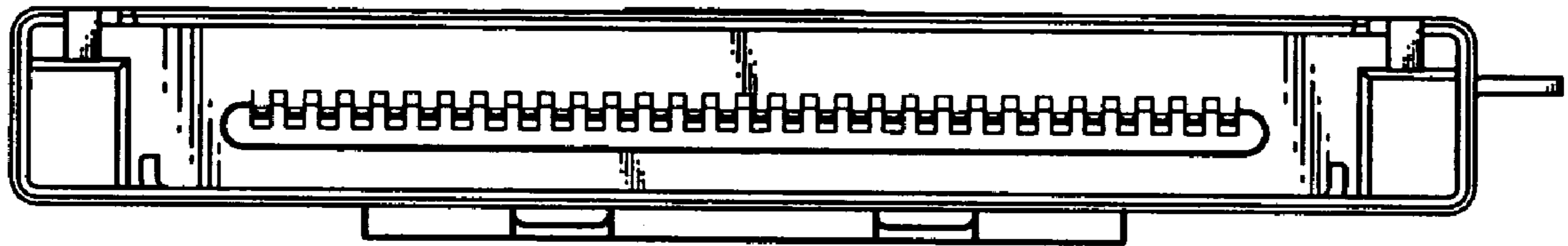


FIG. 2

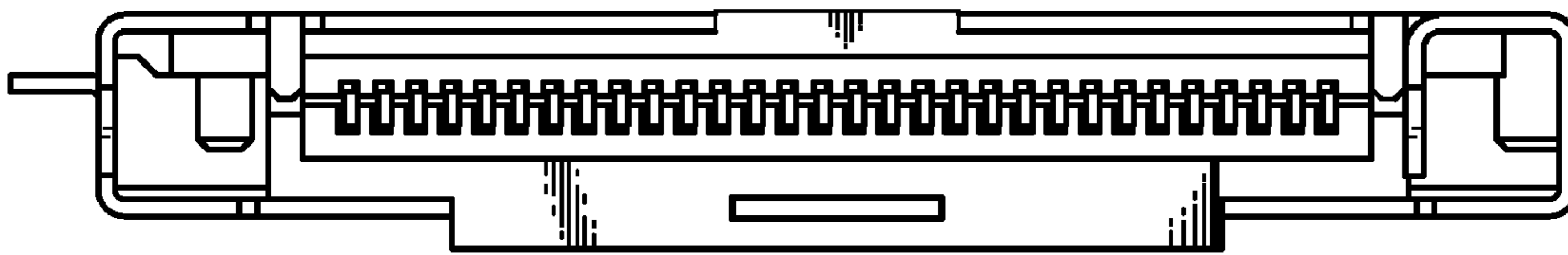


FIG. 3

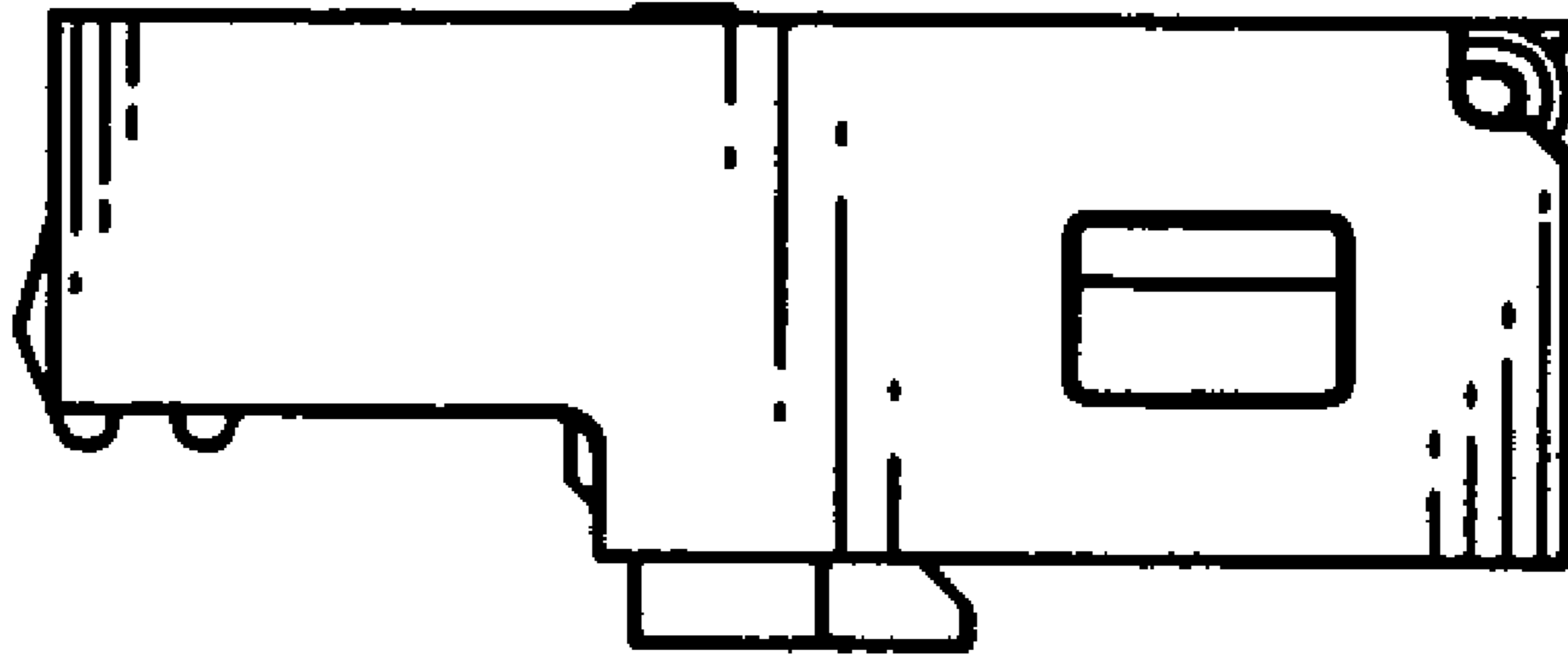


FIG. 4

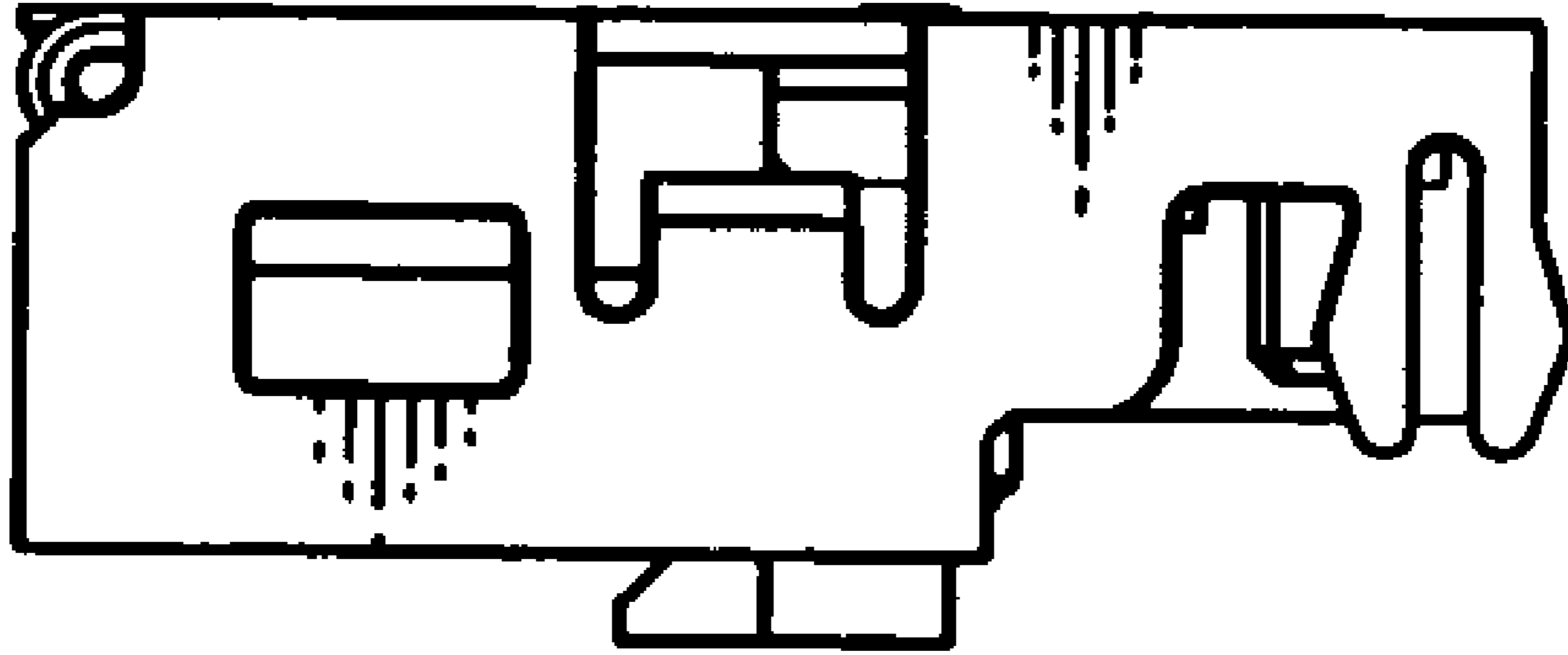


FIG. 5

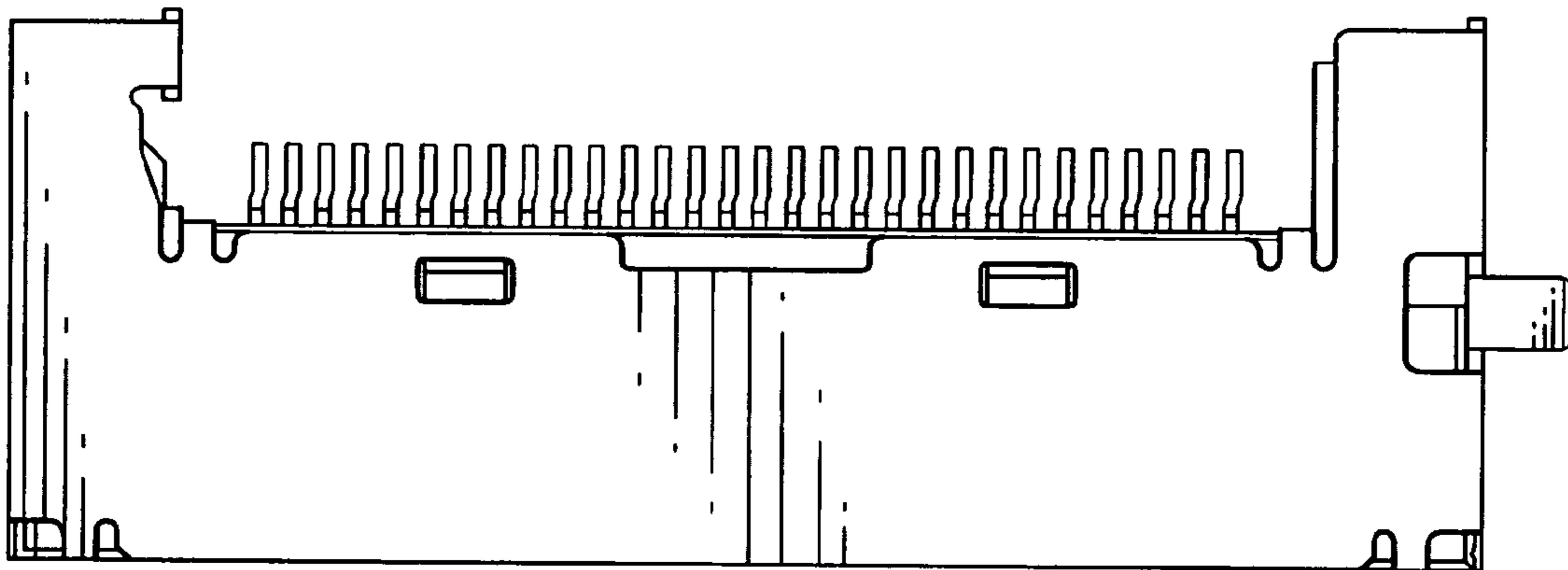


FIG. 6

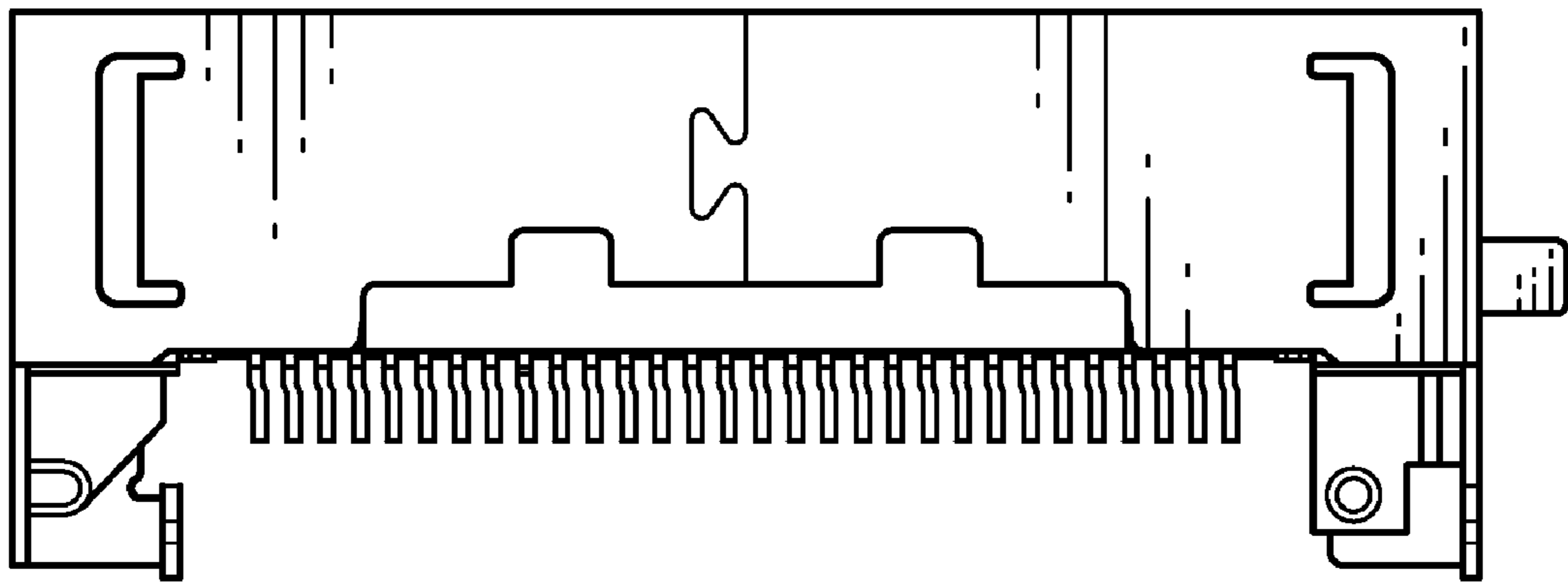


FIG. 7