



US00D570777S

(12) **United States Design Patent**
Glass et al.

(10) **Patent No.:** **US D570,777 S**

(45) **Date of Patent:** **** Jun. 10, 2008**

(54) **GENERATOR FRAME**

(75) Inventors: **Douglas Lloyd Glass**, Greenville, SC
(US); **Chad Eric James**, Tryon, NC
(US)

(73) Assignee: **Onihr Manufacturing SRL**, St. James,
West Indies (BB)

(**) Term: **14 Years**

(21) Appl. No.: **29/275,713**

(22) Filed: **Jan. 4, 2007**

(51) **LOC (8) Cl.** **13-01**

(52) **U.S. Cl.** **D13/116**

(58) **Field of Classification Search** D13/116,
D13/112, 114, 122, 199; 290/1 A, 1 B; 307/150,
307/153; 310/50, 89, 158

See application file for complete search history.

(56) **References Cited**

U.S. PATENT DOCUMENTS

D187,025 S *	1/1960	Paster	D13/122
D278,425 S *	4/1985	Toshihiko	D13/116
D418,809 S *	1/2000	Frank	D13/112
6,750,556 B2 *	6/2004	Sodemann et al.	290/1 A
D494,929 S *	8/2004	Imai	D13/116

6,935,642 B1 * 8/2005 Craig et al. 280/47.24

* cited by examiner

Primary Examiner—Prabhakar Deshmukh

Assistant Examiner—Derrick Holland

(74) *Attorney, Agent, or Firm*—Alston & Bird LLP

(57) **CLAIM**

The ornamental design for a generator frame, as shown and described.

DESCRIPTION

FIG. 1 is a perspective view of a generator frame showing our new design;

FIG. 2 is a right side elevation view thereof;

FIG. 3 is a left side elevation view thereof;

FIG. 4 is a front elevation view thereof;

FIG. 5 is a rear elevation view thereof;

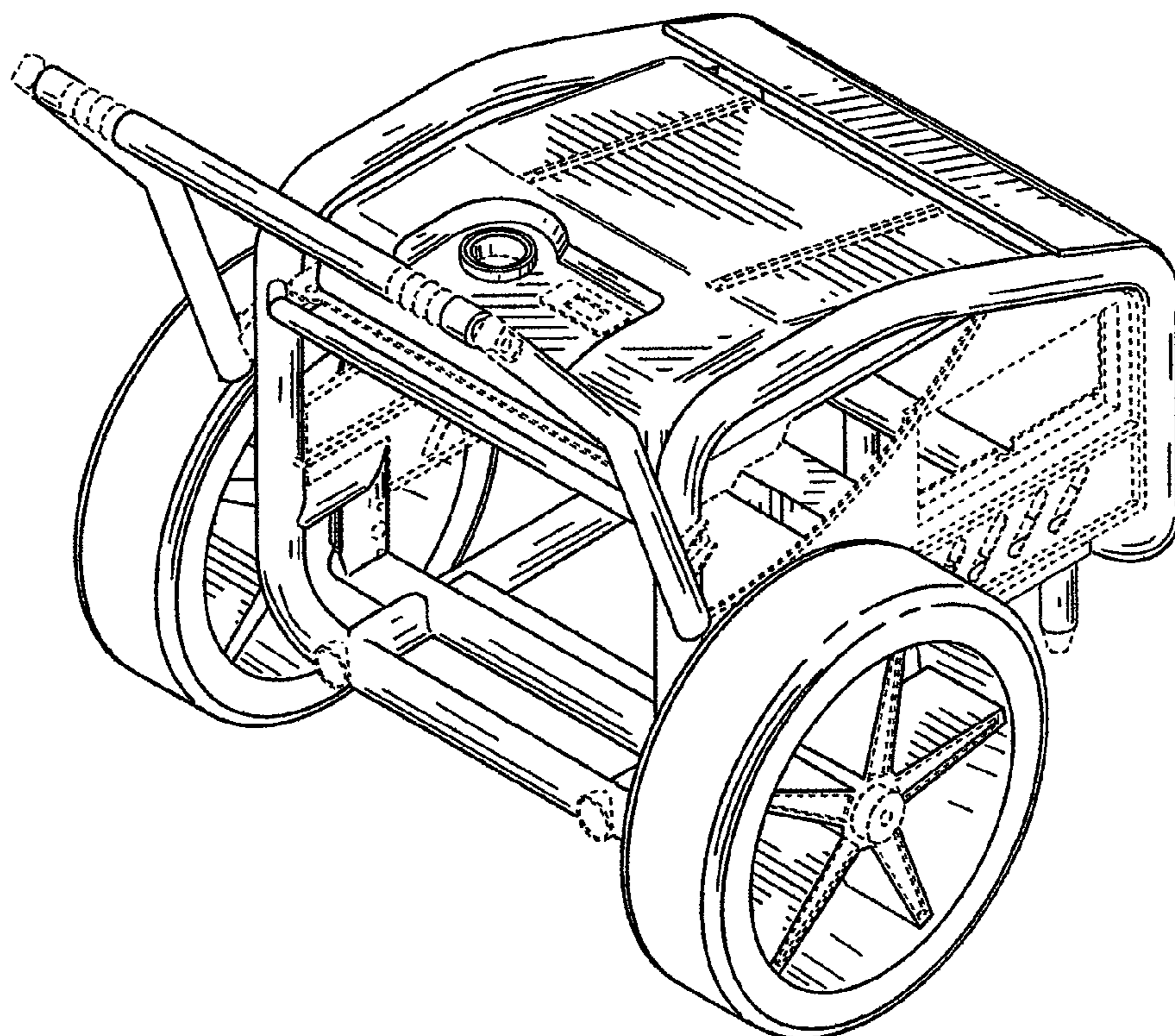
FIG. 6 is a bottom plan view thereof; and,

FIG. 7 is a top plan view thereof.

The broken lines shown herein are for illustrative purposes only and form no part of the claimed design.

The broken line(s) which define the bounds of the claimed design form no part thereof.

1 Claim, 7 Drawing Sheets



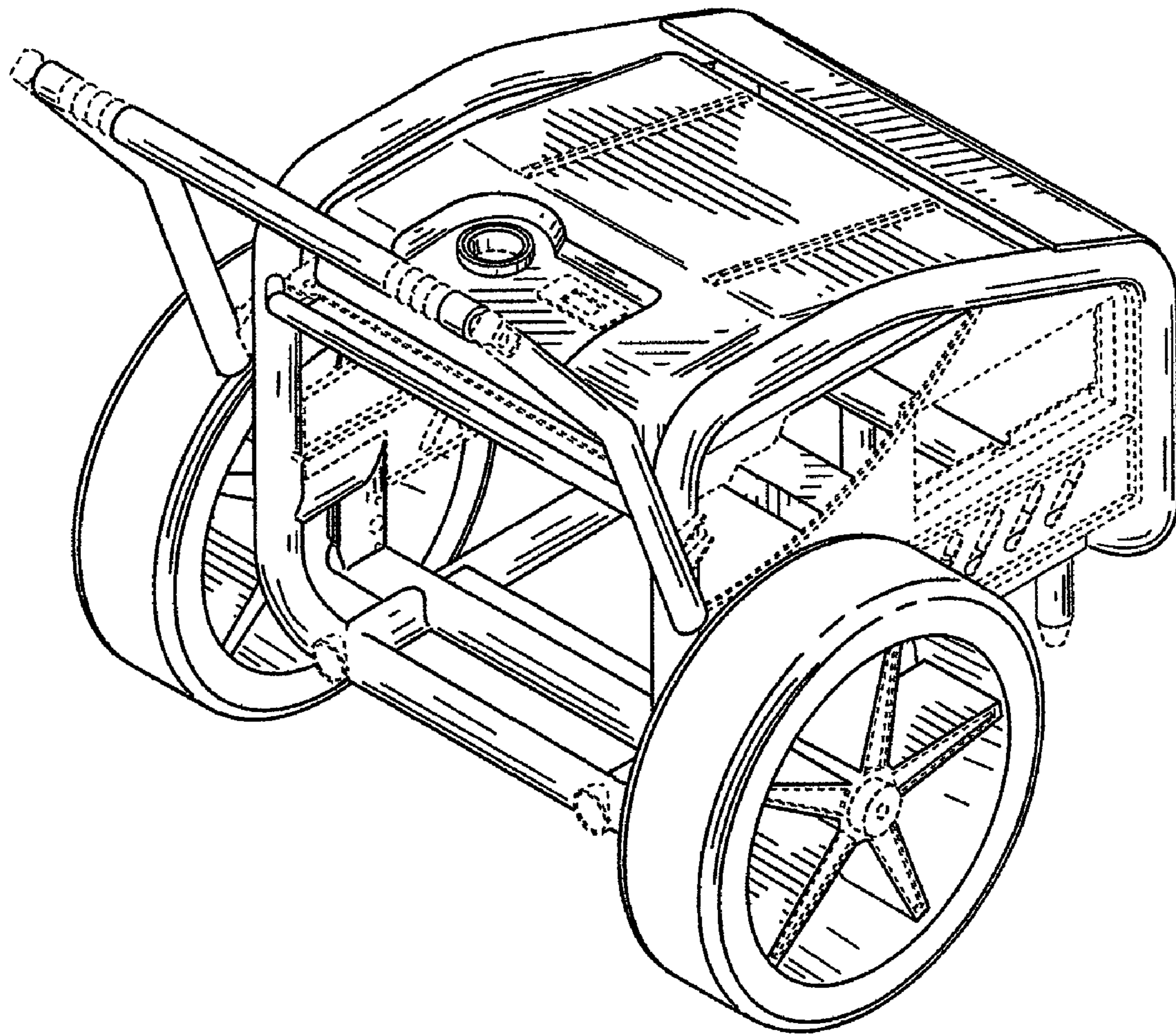


FIG. 1

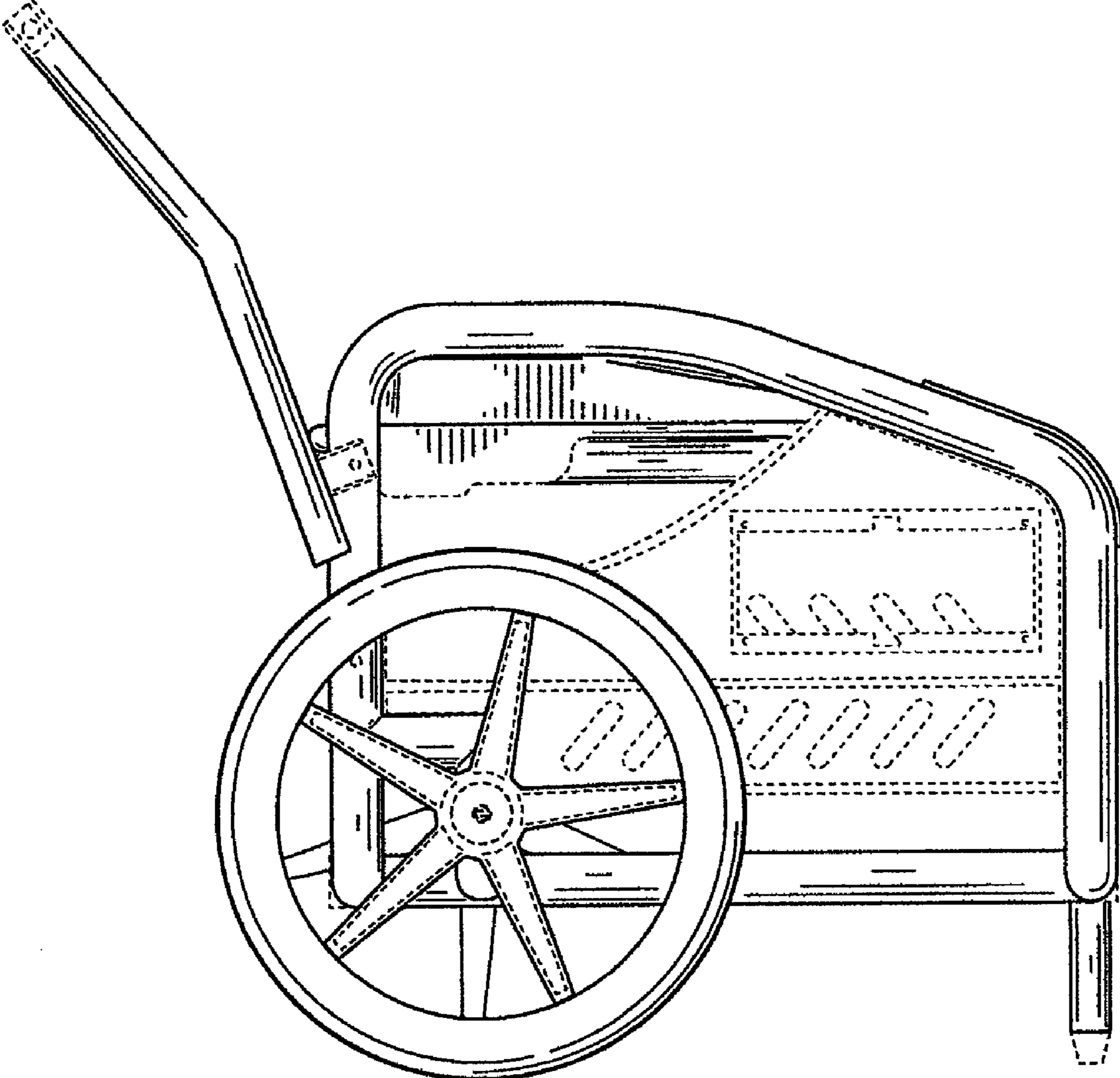


FIG. 2

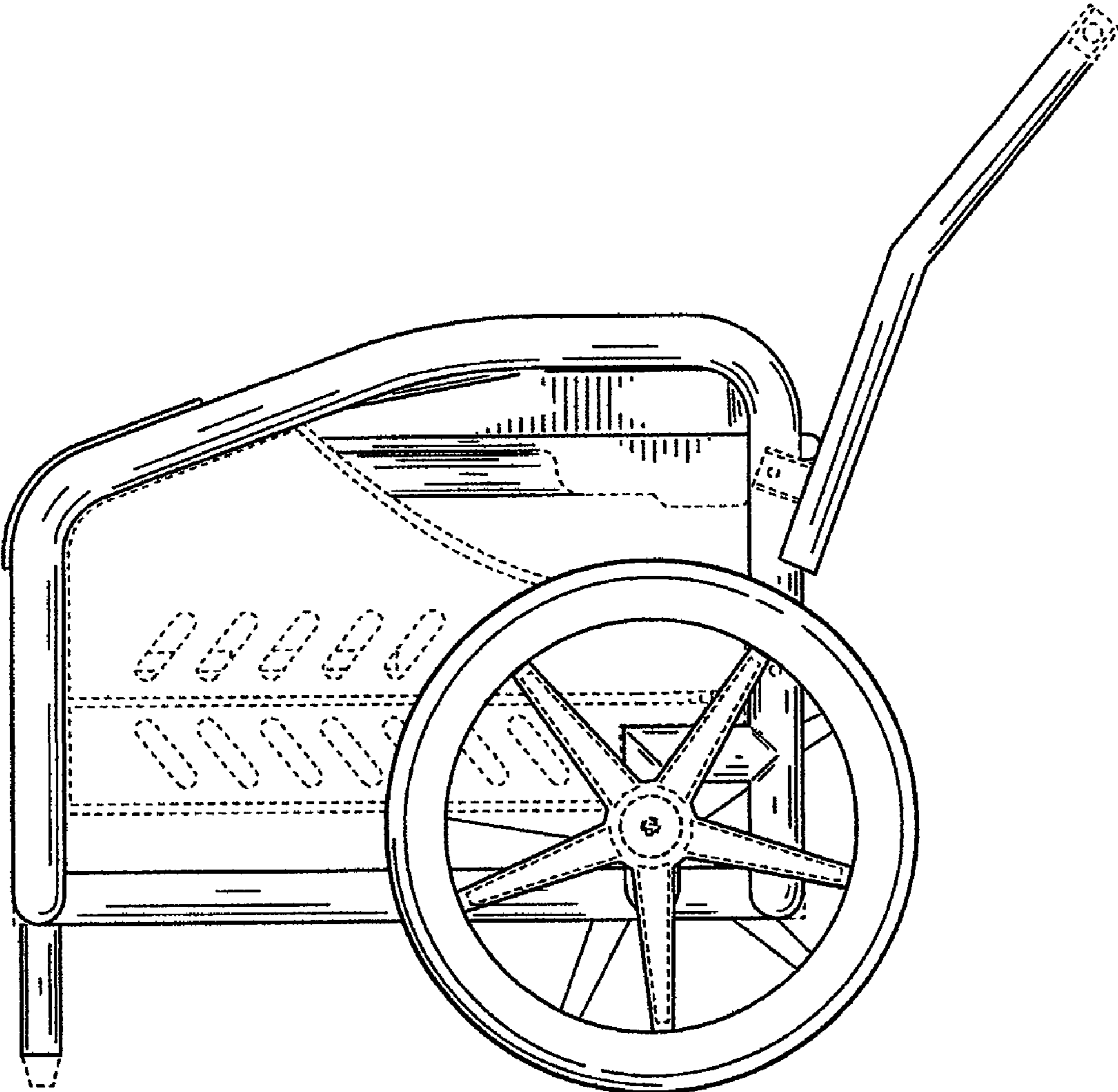


FIG. 3

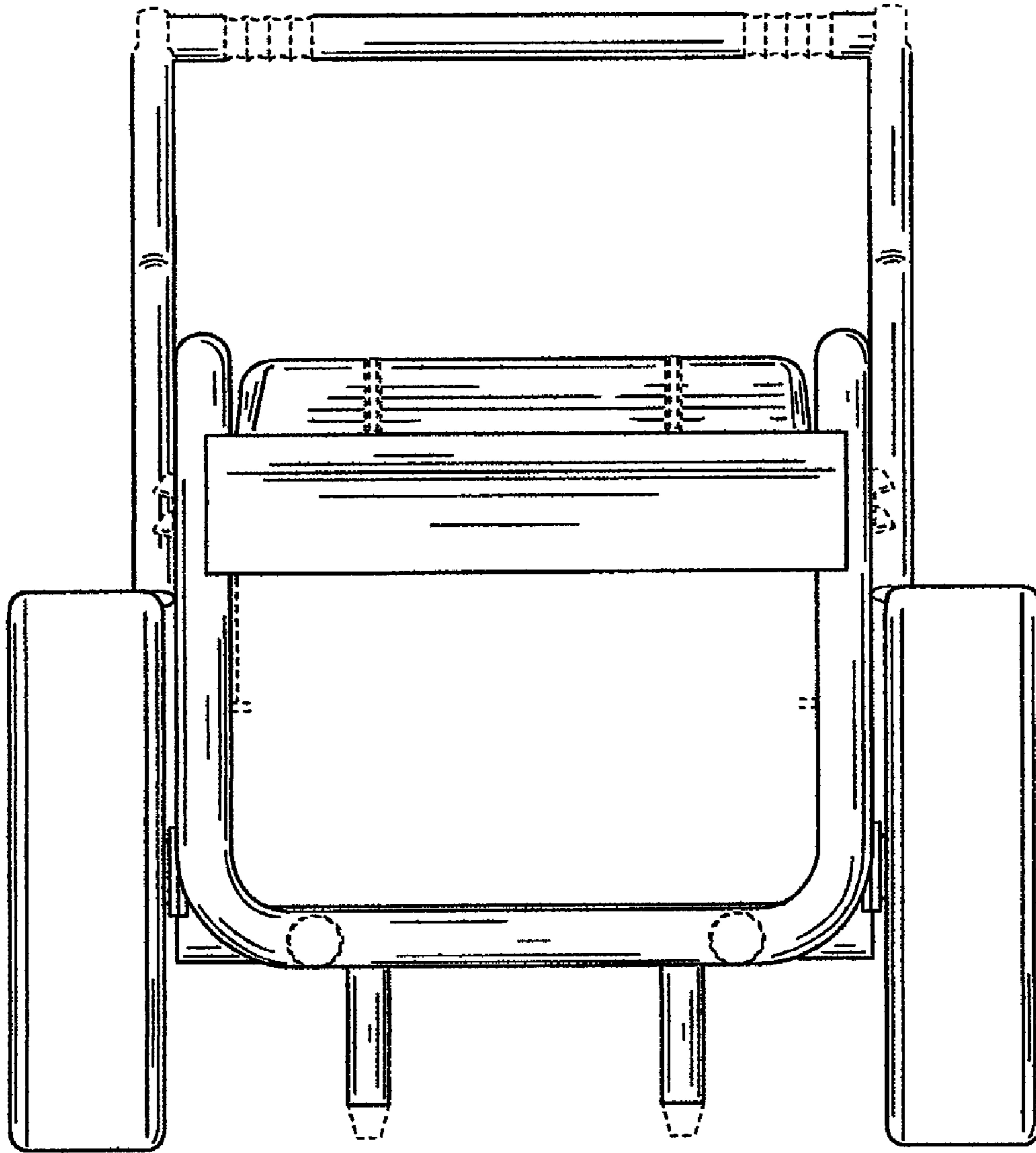


FIG. 4

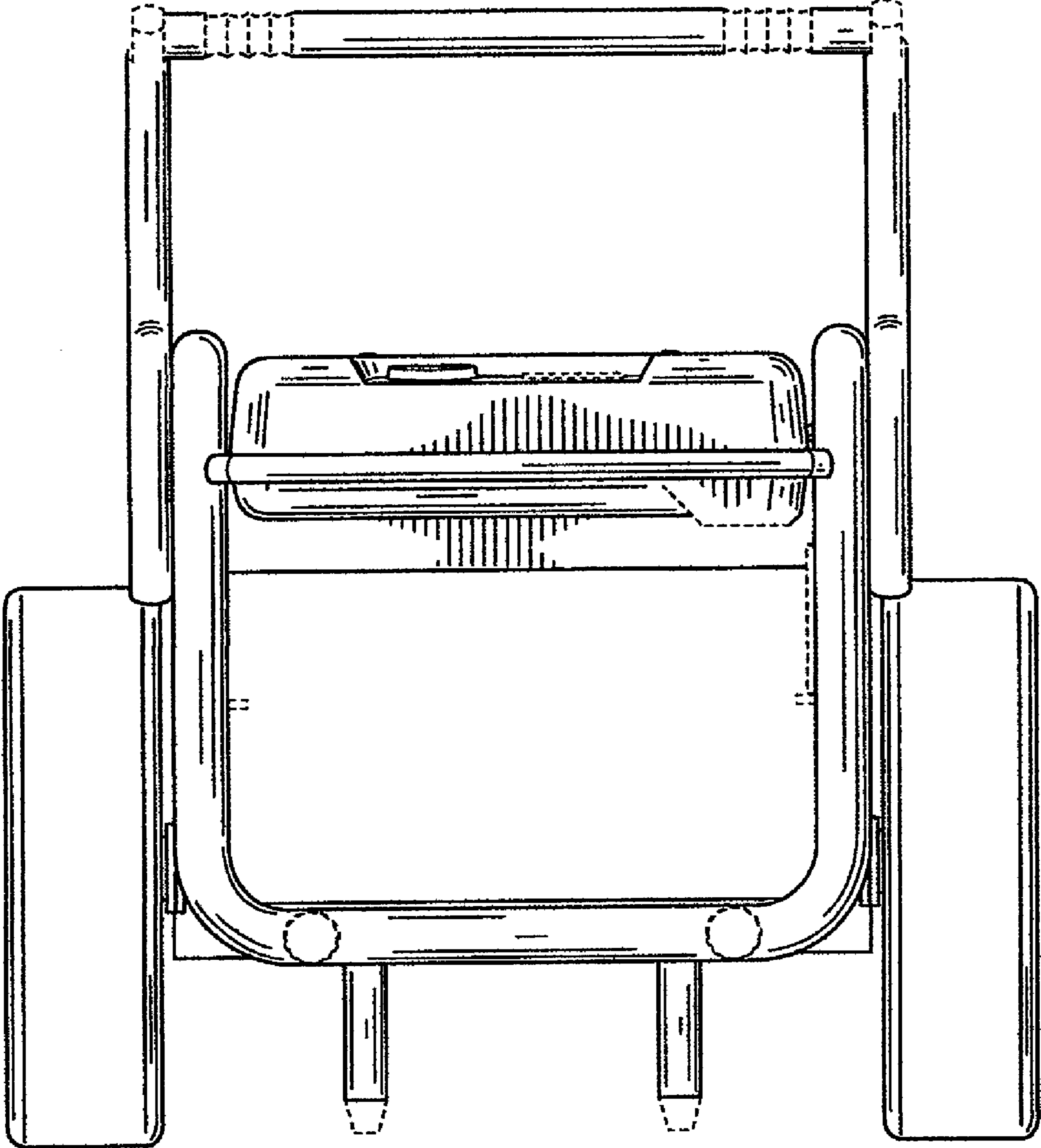


FIG. 5

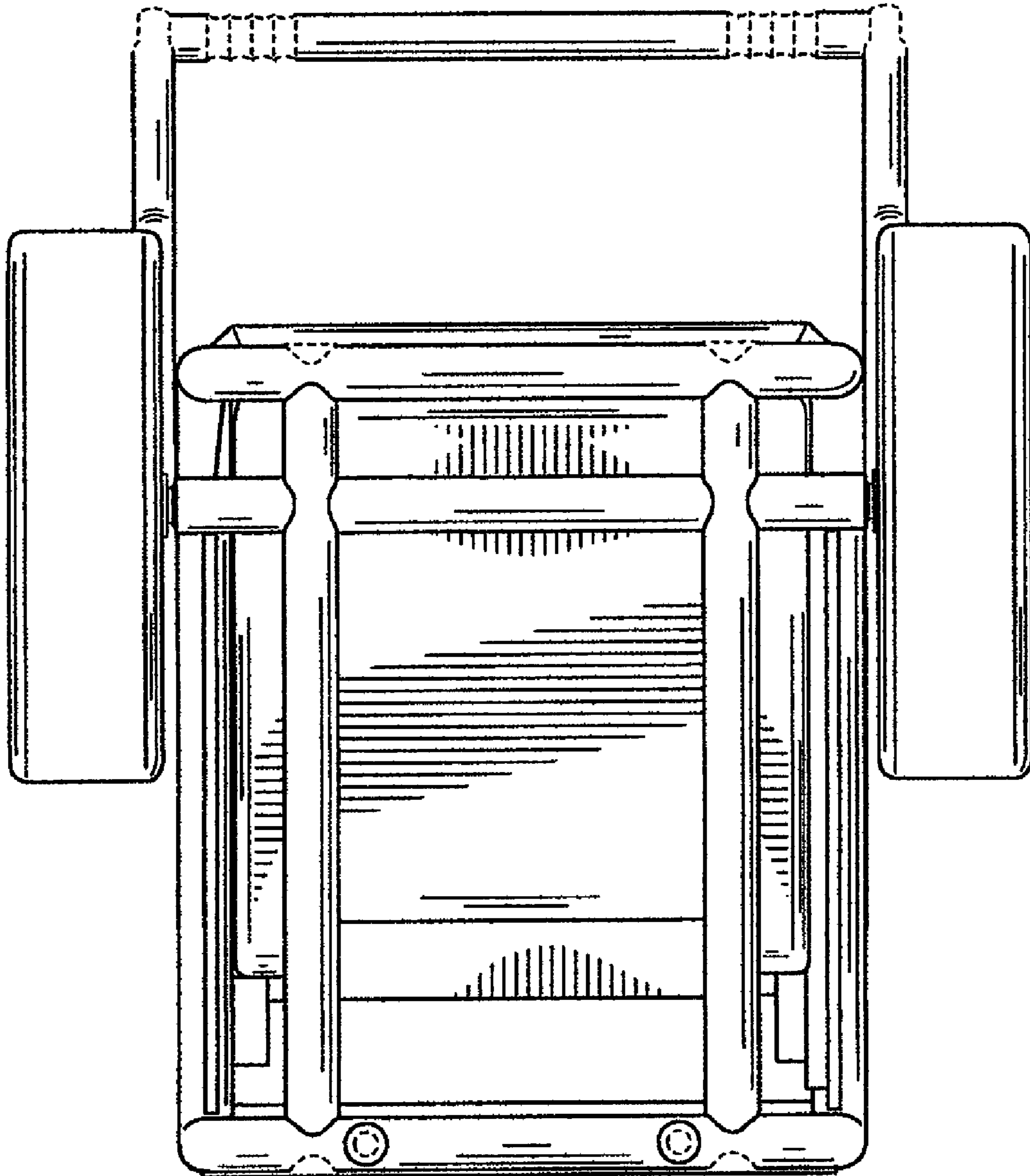


FIG. 6

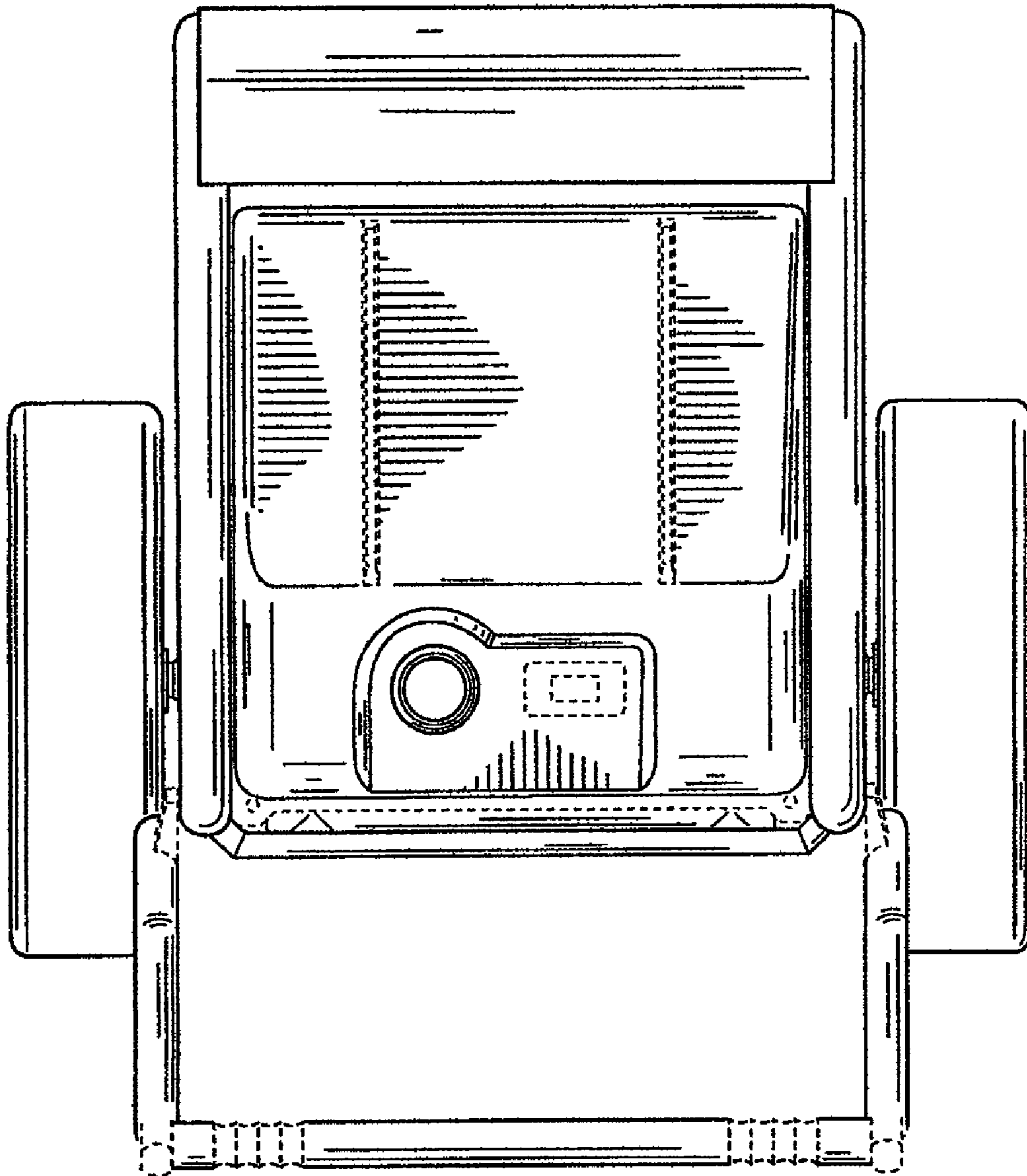


FIG. 7