

US00D570773S

(12) **United States Design Patent**  
**Lloyd et al.**

(10) **Patent No.:** **US D570,773 S**  
(45) **Date of Patent:** **\*\* Jun. 10, 2008**

(54) **POWER ADAPTER FOR AN ELECTRONIC DEVICE**

D507,527 S \* 7/2005 Huang ..... D13/110  
\* cited by examiner

(75) Inventors: **Grant H. Lloyd**, Lawrenceville, GA (US); **David P. Townsend**, Village of Lakewood, IL (US)

*Primary Examiner*—Prabhakar Deshmukh  
*Assistant Examiner*—Derrick Holland  
(74) *Attorney, Agent, or Firm*—Hisashi D. Watanabe

(73) Assignee: **Motorola, Inc.**, Schaumburg, IL (US)

(57) **CLAIM**

(\*\*) Term: **14 Years**

The ornamental design for a power adapter for an electronic device, as shown and described.

(21) Appl. No.: **29/297,476**

(22) Filed: **Nov. 12, 2007**

(51) **LOC (8) Cl.** ..... **13-02**

(52) **U.S. Cl.** ..... **D13/110**

(58) **Field of Classification Search** ..... D13/110,  
D13/107, 108, 123, 144, 199; 307/150, 151;  
361/600; 439/668, 669

See application file for complete search history.

(56) **References Cited**

**U.S. PATENT DOCUMENTS**

D455,712 S \* 4/2002 Hsiao ..... D13/108  
D469,400 S \* 1/2003 Shor et al. .... D13/107  
D479,824 S \* 9/2003 Arkin et al. .... D13/144  
D489,326 S \* 5/2004 Nazar ..... D13/110  
D494,571 S \* 8/2004 Polito ..... D14/223

**DESCRIPTION**

FIG. 1 is a perspective view of a power adapter for an electronic device showing our new design;

FIG. 2 is a front view thereof;

FIG. 3 is a rear view thereof;

FIG. 4 is a first side view thereof;

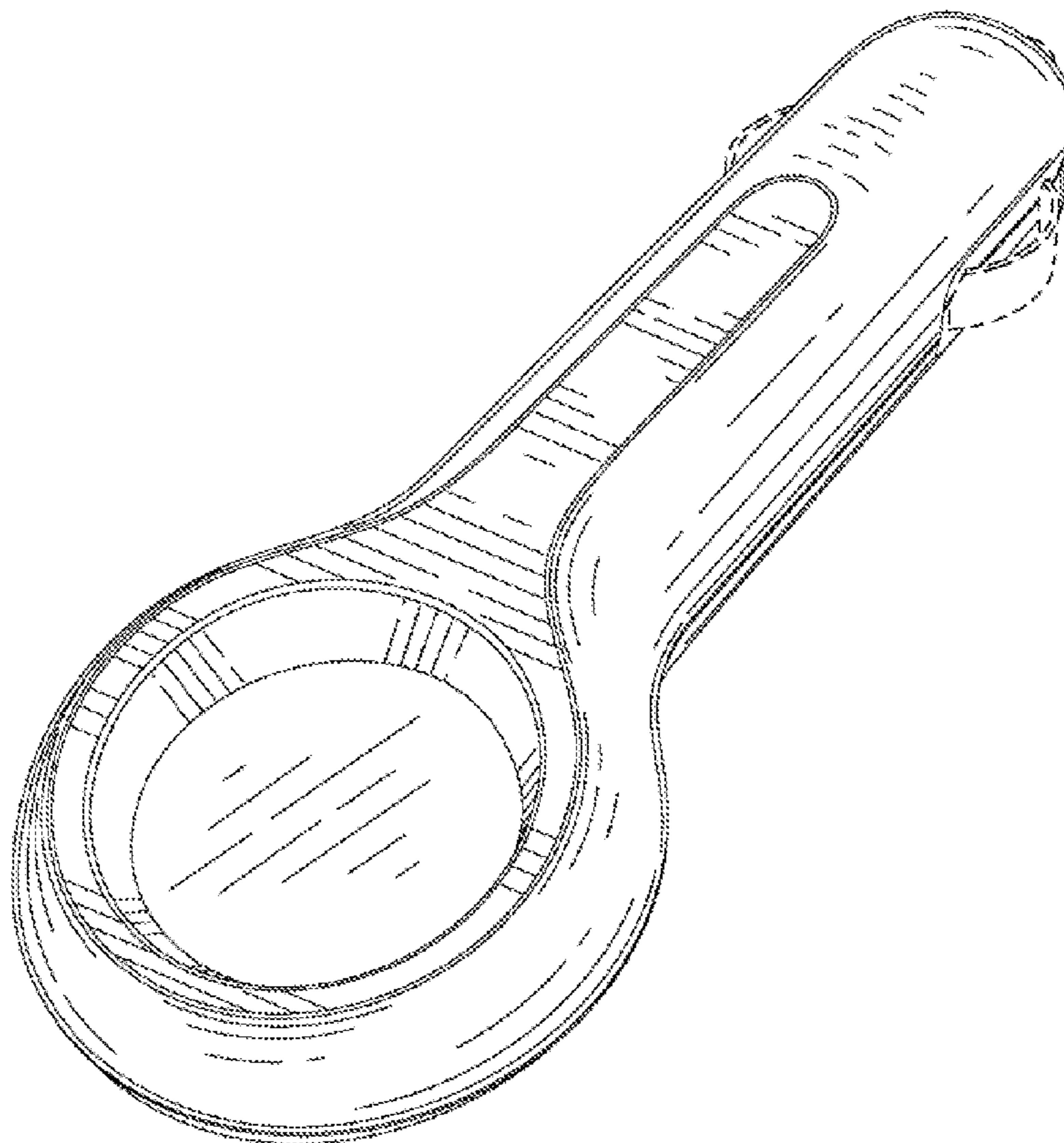
FIG. 5 is a second side view thereof;

FIG. 6 is a top plan view thereof; and,

FIG. 7 is a bottom plan view thereof.

The broken lines shown in FIGS. 1–7 that are immediately adjacent to the shaded areas represent the bound of the claimed design, while all other broken lines are directed to environment and are for illustrative purposes only; the broken lines form no part of the claim design.

**1 Claim, 4 Drawing Sheets**



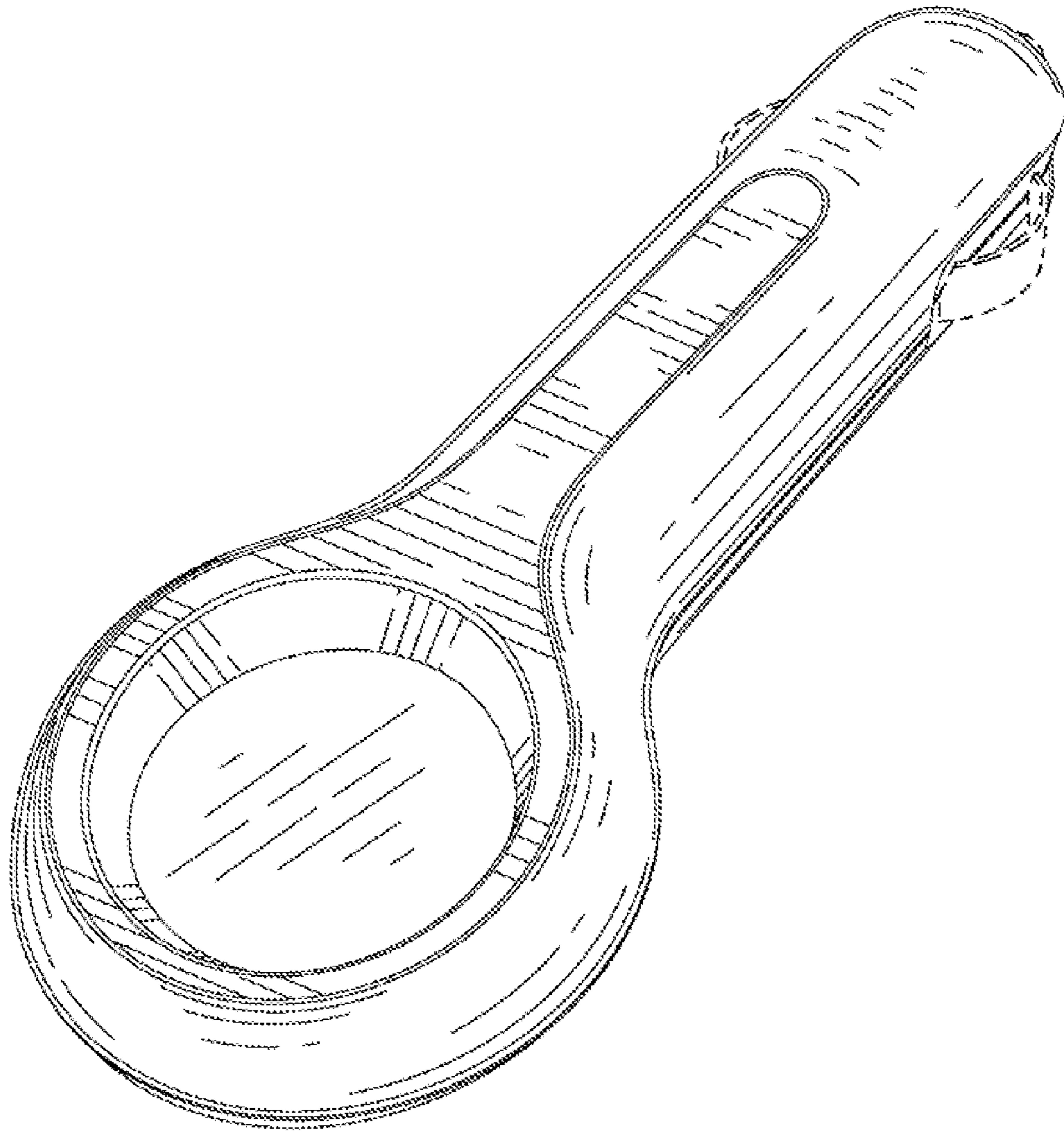


FIG. 1

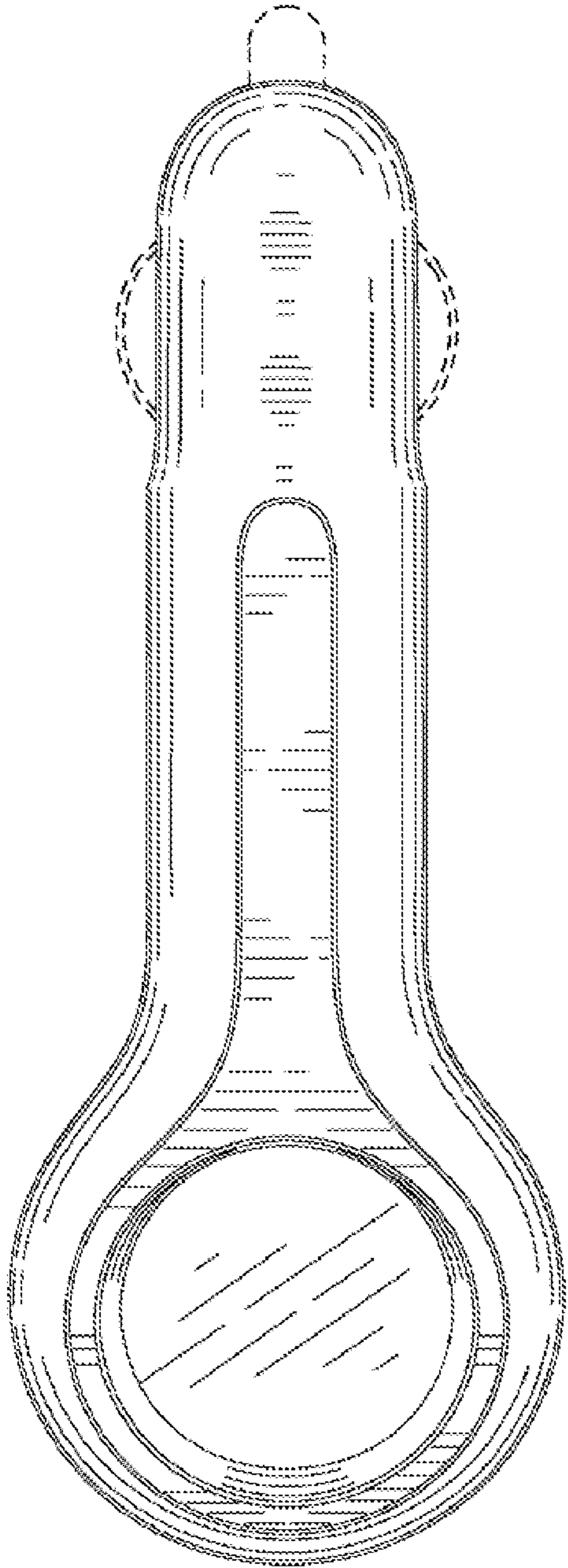


FIG. 2

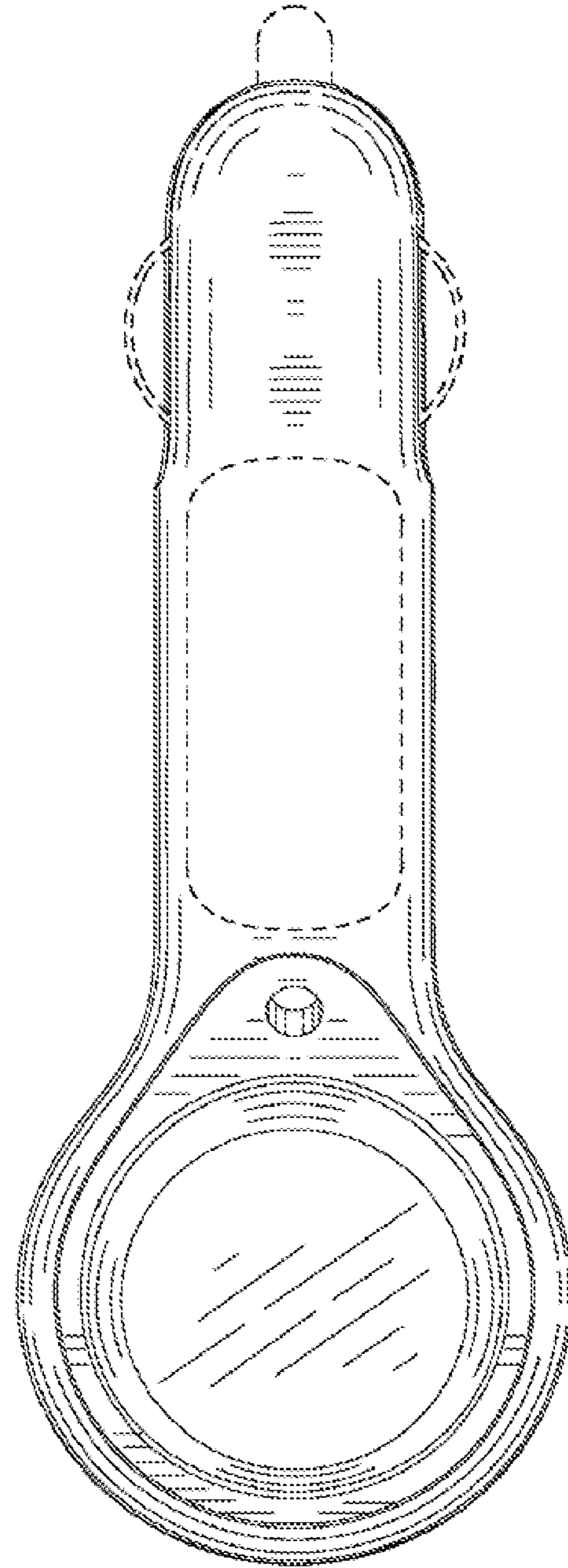


FIG. 3

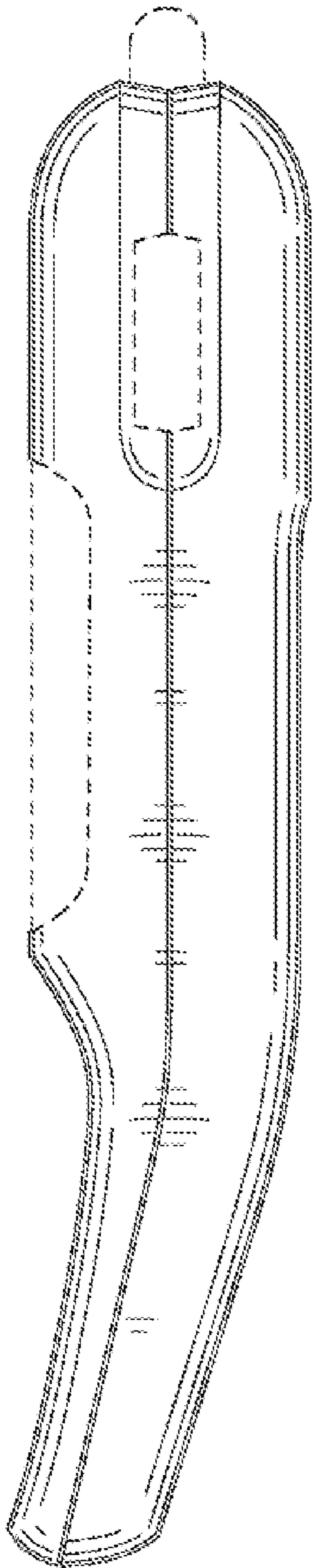


FIG. 4

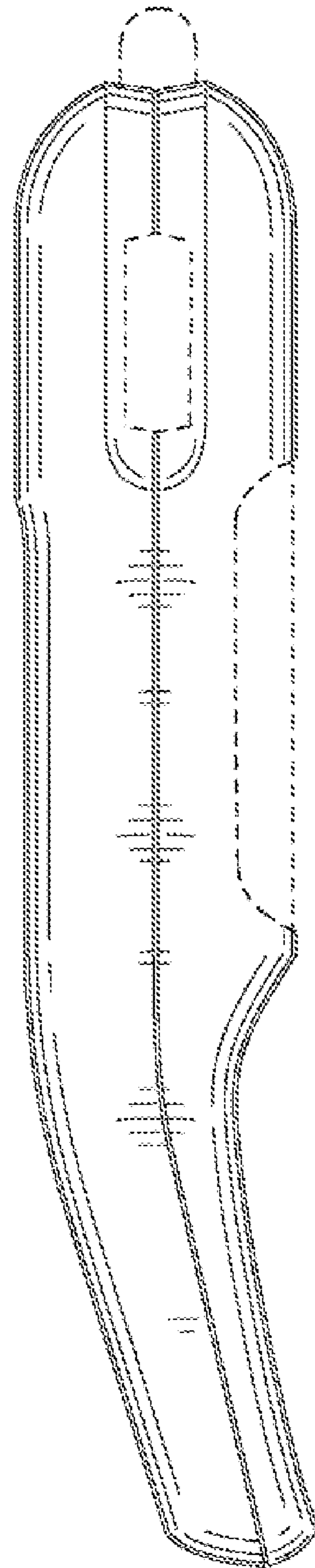


FIG. 5

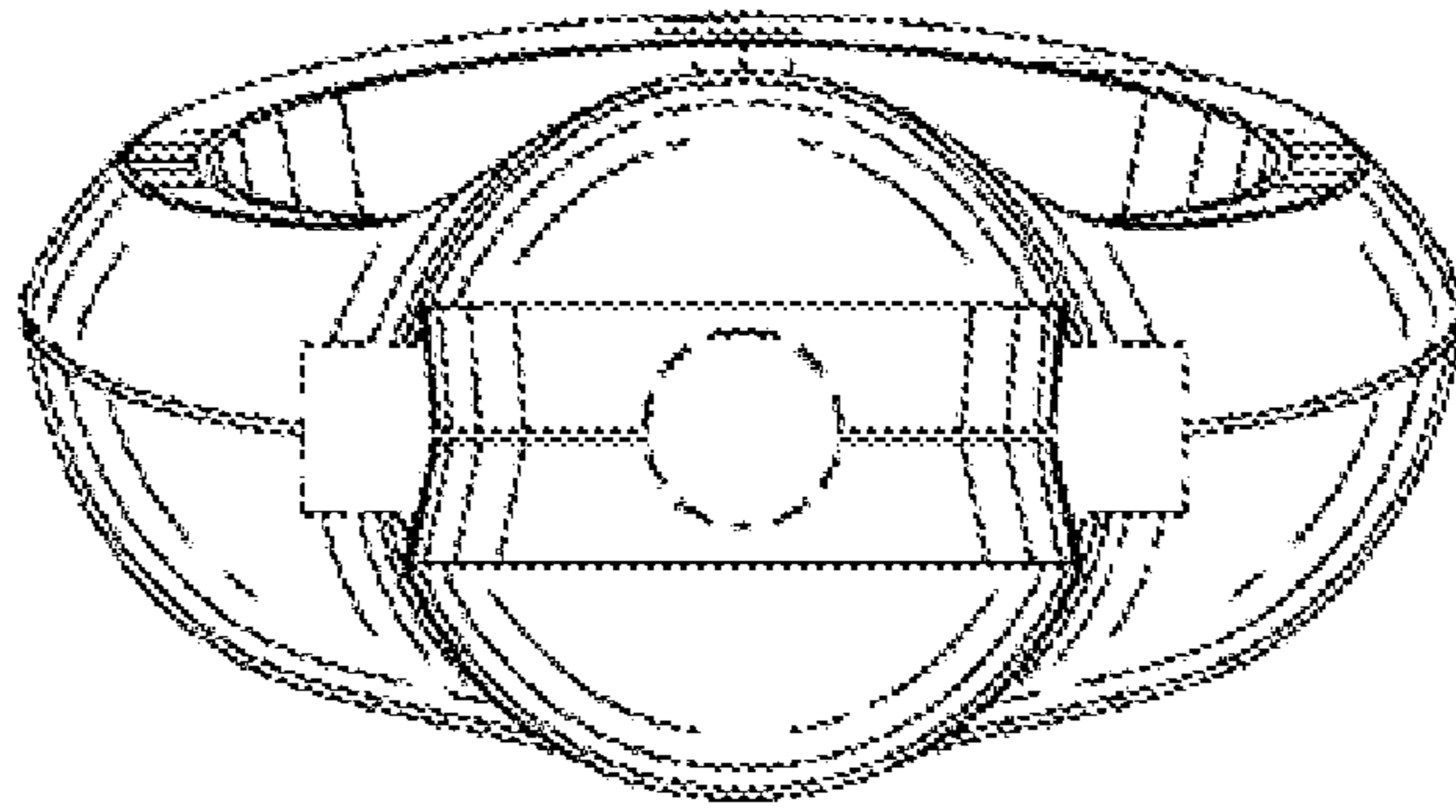


FIG. 6

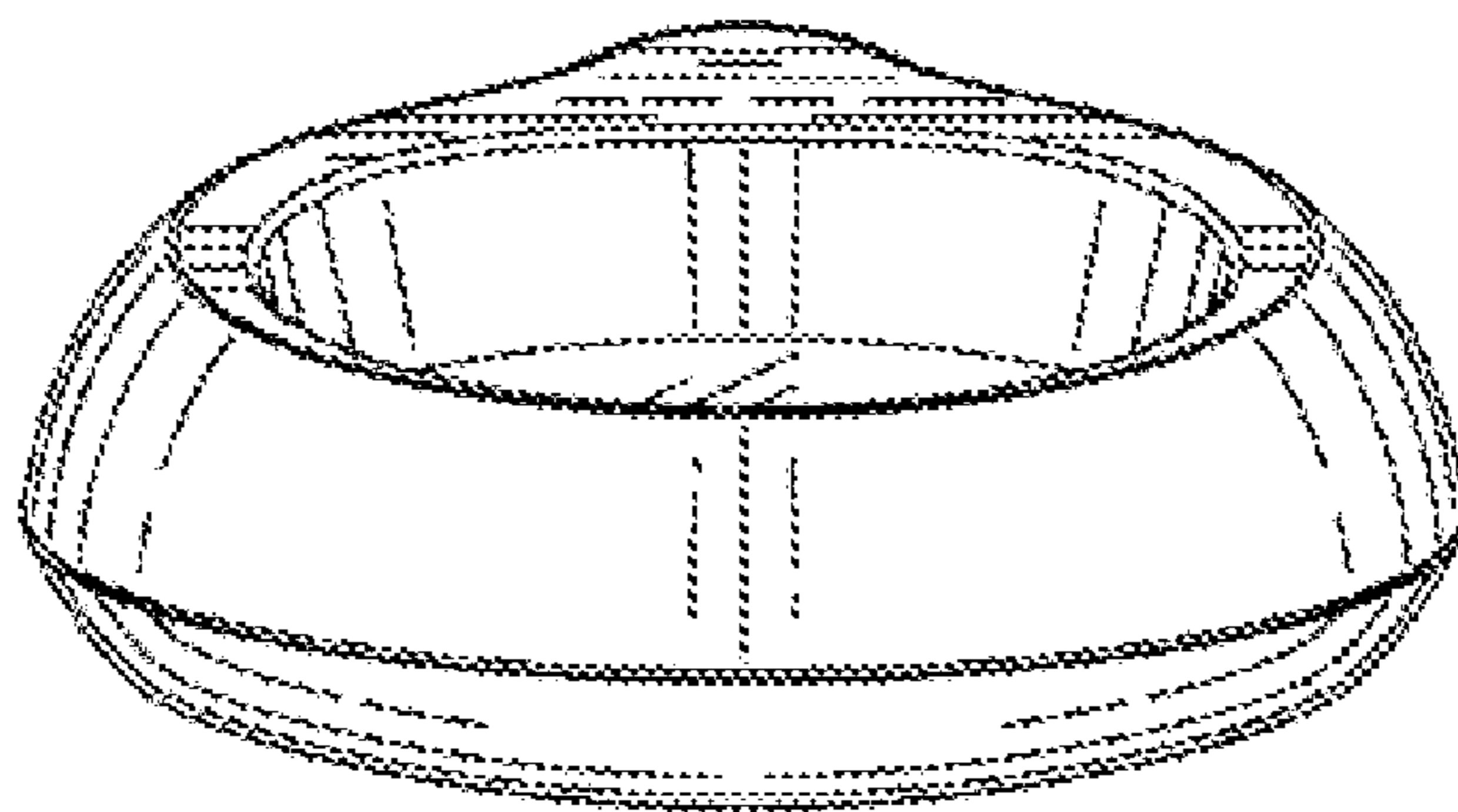


FIG. 7