



US00D570772S

(12) **United States Design Patent**
Mahaffey et al.

(10) **Patent No.: US D570,772 S**
(45) **Date of Patent: ** Jun. 10, 2008**

(54) **POWER ADAPTER**

DESCRIPTION

(75) Inventors: **Robert Mahaffey**, Vancouver (CA);
John Hung, North Vancouver (CA);
Ryan White, San Francisco, CA (US)

(73) Assignee: **ACCO Brands USA LLC**,
Lincolnshire, IL (US)

(**) Term: **14 Years**

(21) Appl. No.: **29/277,670**

(22) Filed: **Mar. 6, 2007**

(51) **LOC (8) Cl.** **13-02**

(52) **U.S. Cl.** **D13/110**

(58) **Field of Classification Search** D13/110,
D13/107, 123, 199; 307/150, 151; 320/140,
320/143; 361/679; 363/146, 147; 439/502
See application file for complete search history.

(56) **References Cited**

U.S. PATENT DOCUMENTS

5,019,767	A *	5/1991	Shirai et al.	320/112
5,159,545	A *	10/1992	Lee	363/146
5,547,399	A *	8/1996	Naghi et al.	439/623
D375,937	S *	11/1996	Mergenthaler et al.	D13/110
D383,115	S *	9/1997	Nagele et al.	D13/110
D456,008	S *	4/2002	Kawanobe et al.	D13/110
D484,853	S *	1/2004	Alviar	D13/110
D503,679	S *	4/2005	Andre et al.	D13/110

* cited by examiner

Primary Examiner—Prabhakar Deshmukh

Assistant Examiner—Derrick Holland

(74) *Attorney, Agent, or Firm*—Townsend and Townsend
and Crew LLC

(57) **CLAIM**

The ornamental design for a power adapter, as shown and
described.

FIG. 1 is top perspective view of a first embodiment of a
power adapter showing our new design;

FIG. 2 is a bottom perspective view of thereof

FIG. 3 is a top plan view thereof;

FIG. 4 is a front elevation view thereof;

FIG. 5 is a rear elevation view thereof;

FIG. 6 is a bottom plan view thereof;

FIG. 7 is a right side elevation view thereof;

FIG. 8 is a left side elevation view thereof;

FIG. 9 is top perspective view of a second embodiment of
a power adapter showing our new design;

FIG. 10 is a bottom perspective view of thereof

FIG. 11 is a top plan view thereof;

FIG. 12 is a front elevation view thereof;

FIG. 13 is a rear elevation view thereof;

FIG. 14 is a bottom plan view thereof;

FIG. 15 is a right side elevation view thereof;

FIG. 16 is a left side elevation view thereof;

FIG. 17 is top perspective view of a third embodiment of a
power adapter showing our new design;

FIG. 18 is a bottom perspective view of thereof

FIG. 19 is a top plan view thereof;

FIG. 20 is a front elevation view thereof;

FIG. 21 is a rear elevation view thereof;

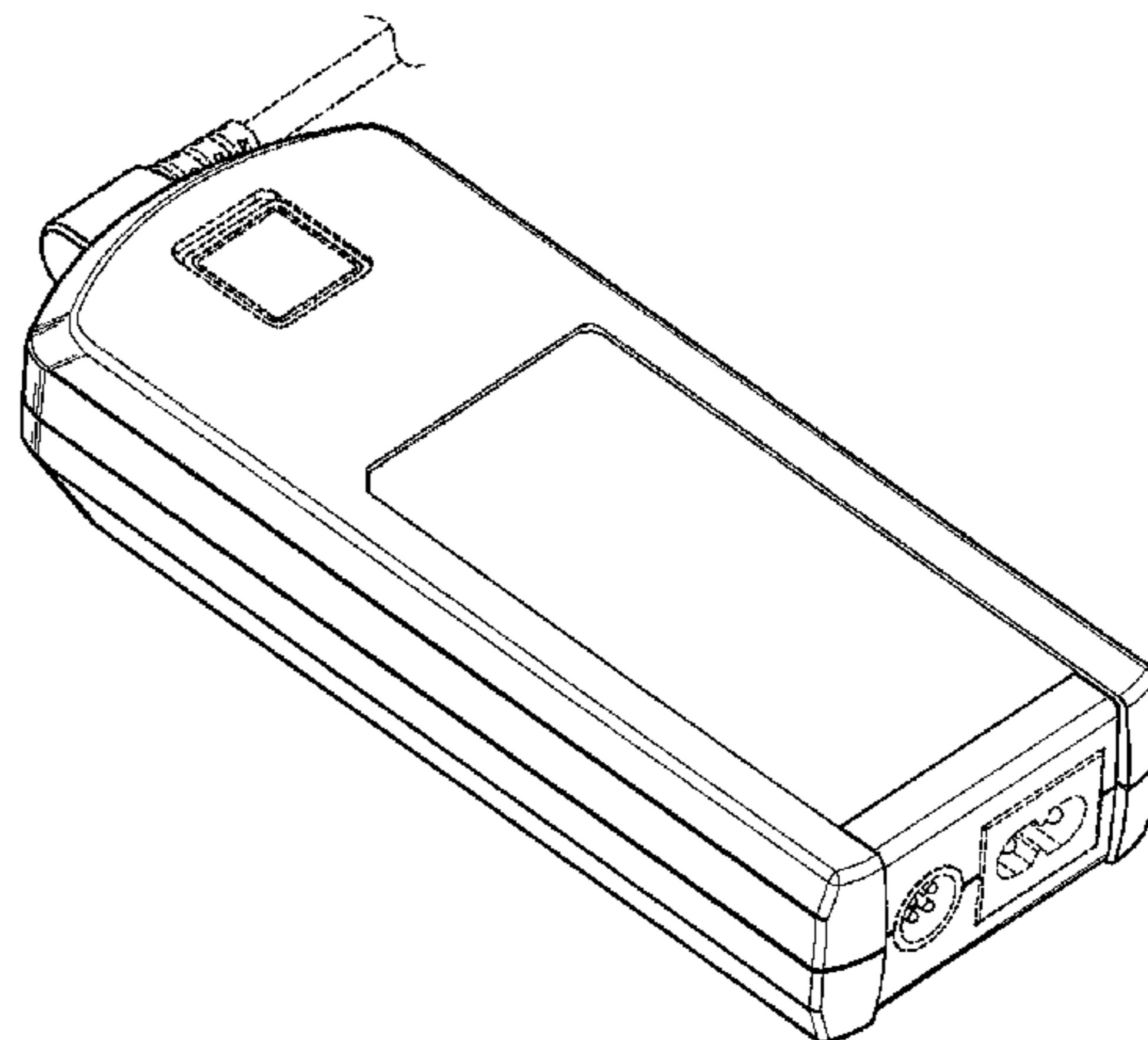
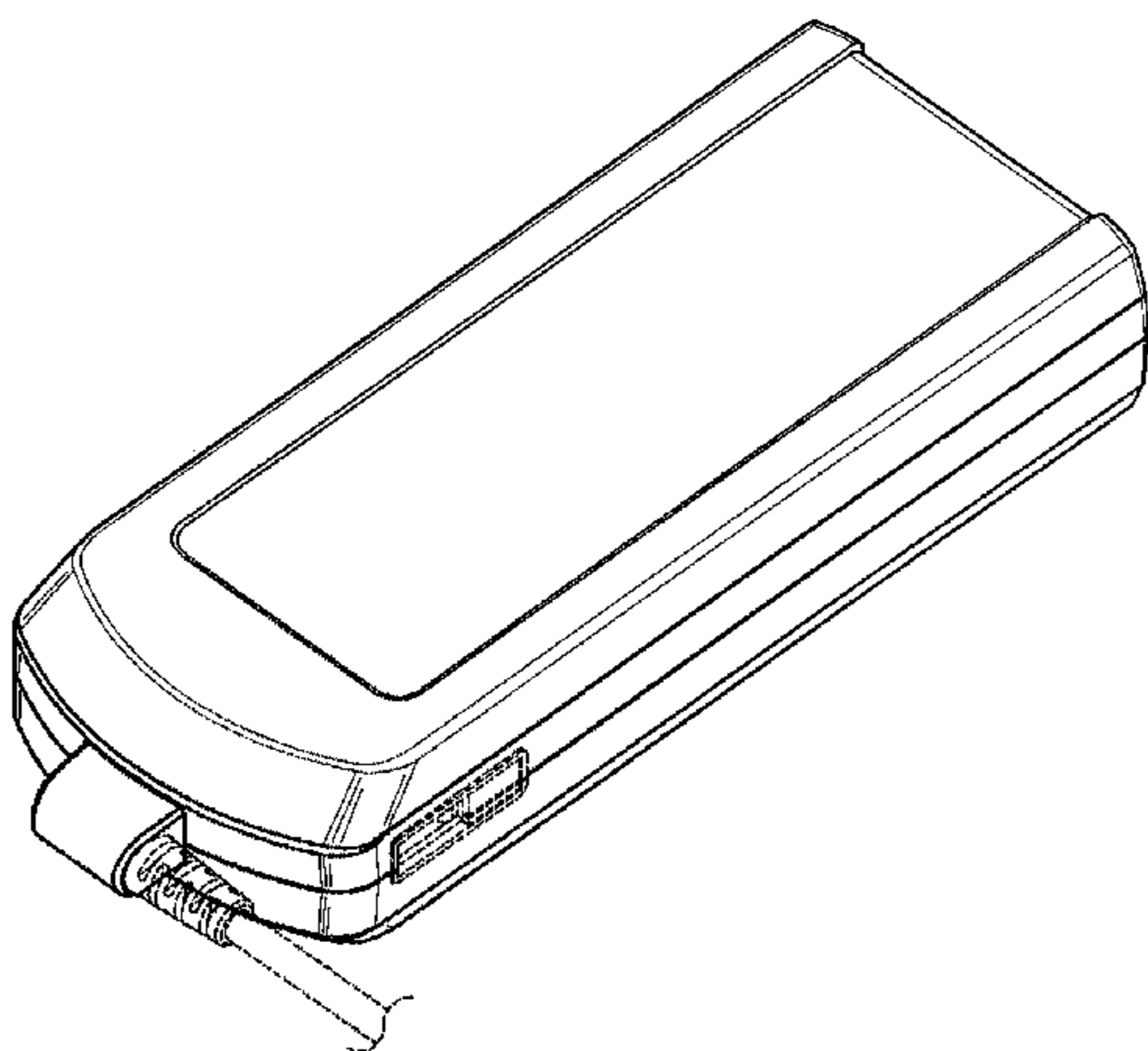
FIG. 22 is a bottom plan view thereof;

FIG. 23 is a right side elevation view thereof; and,

FIG. 24 is a left side elevation view thereof.

The broken lines showing are for illustrative purposes and
form no part of the claimed design.

1 Claim, 12 Drawing Sheets



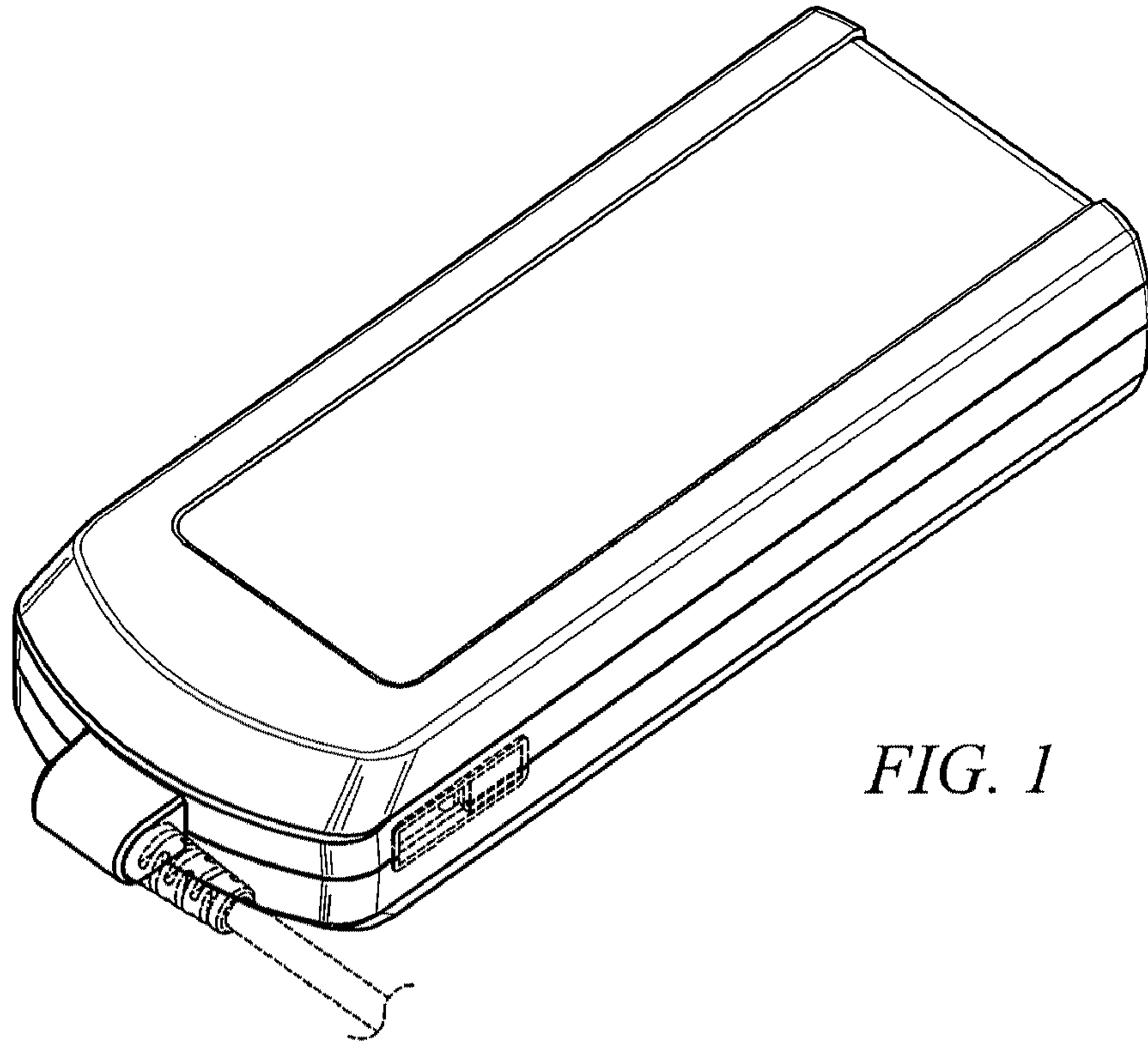


FIG. 1

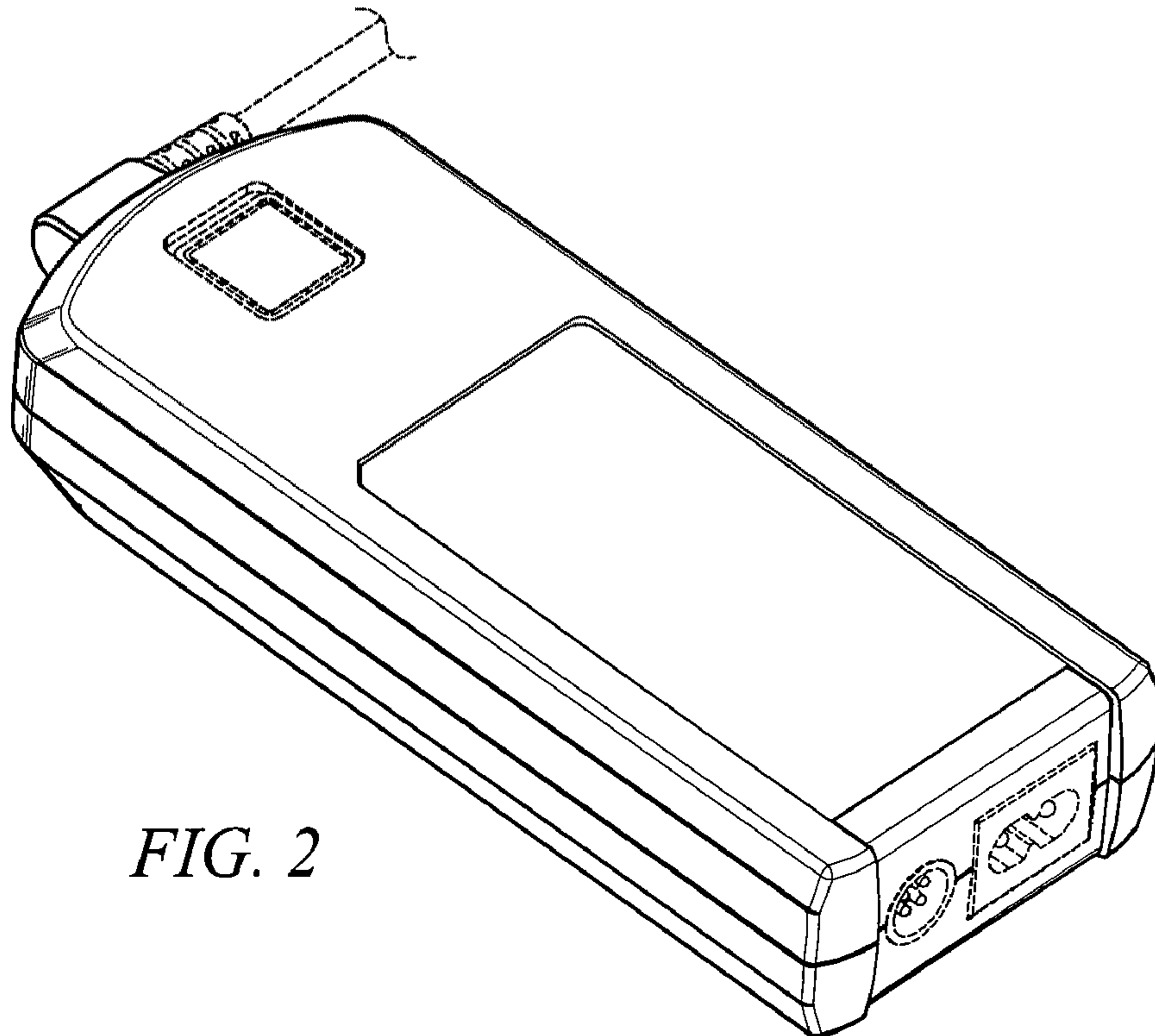


FIG. 2

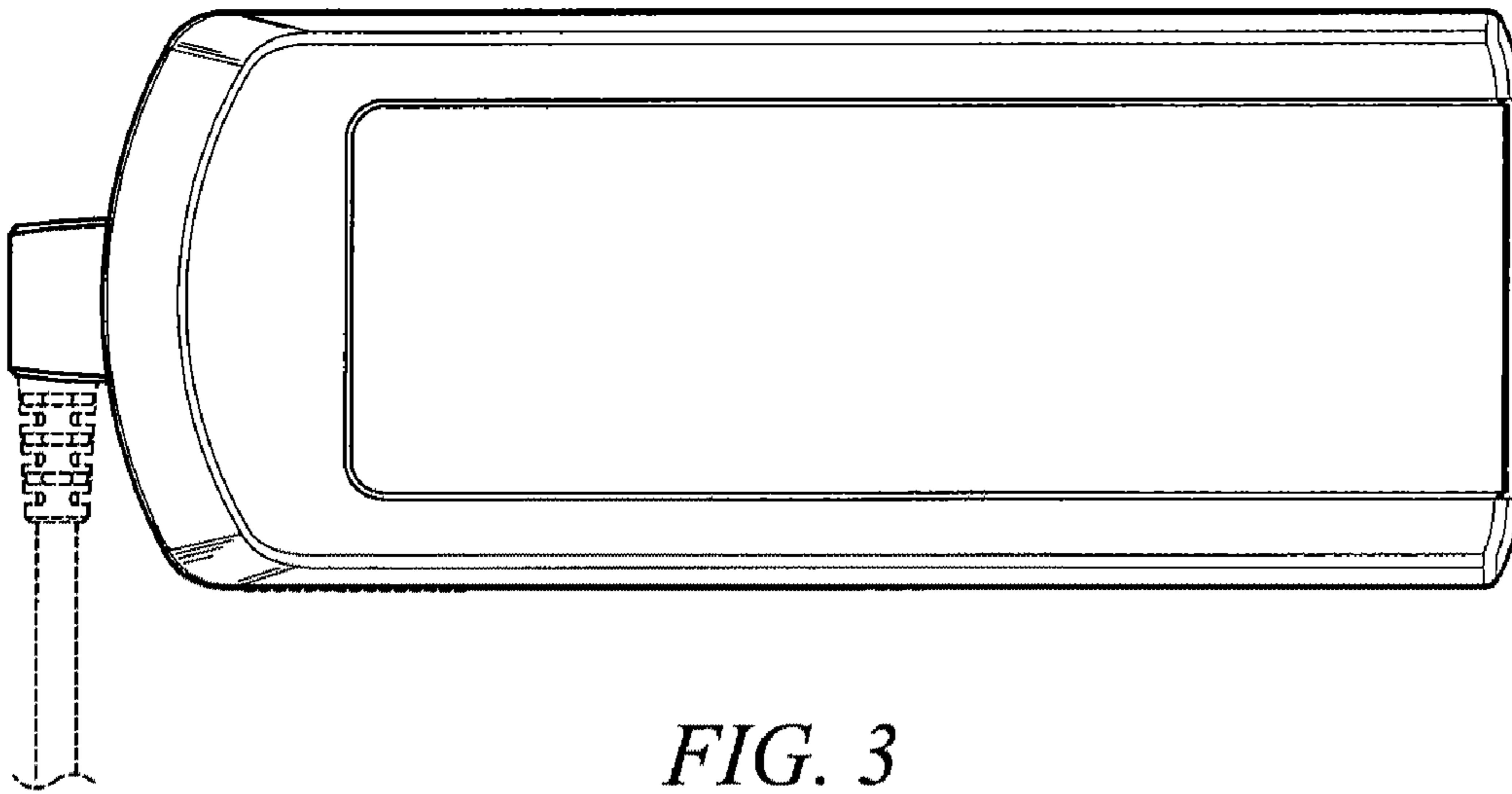


FIG. 3

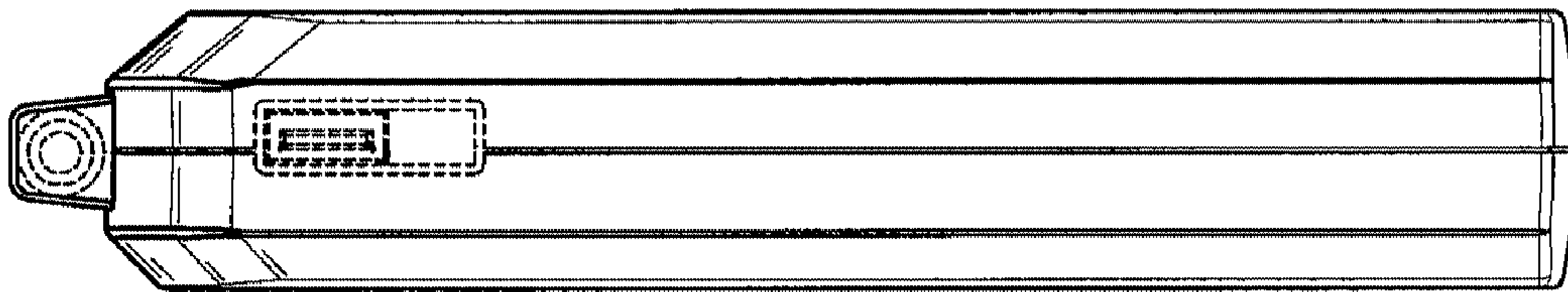


FIG. 4

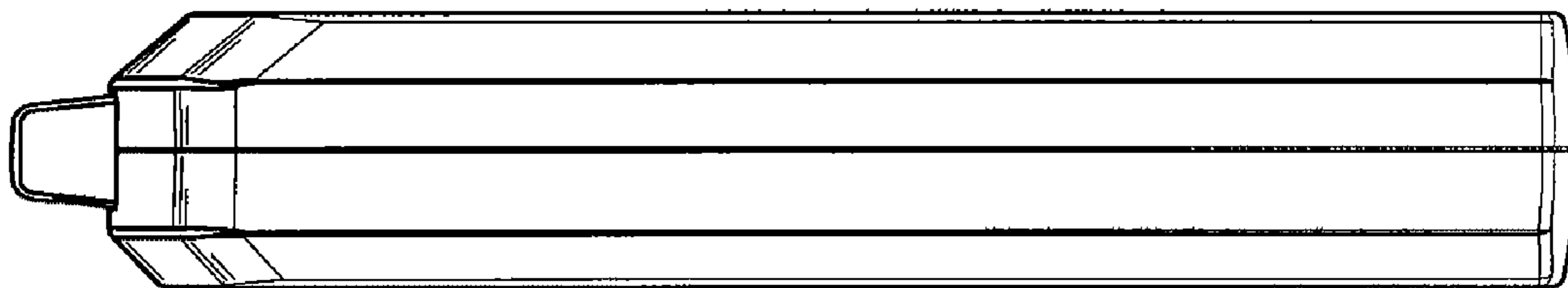


FIG. 5

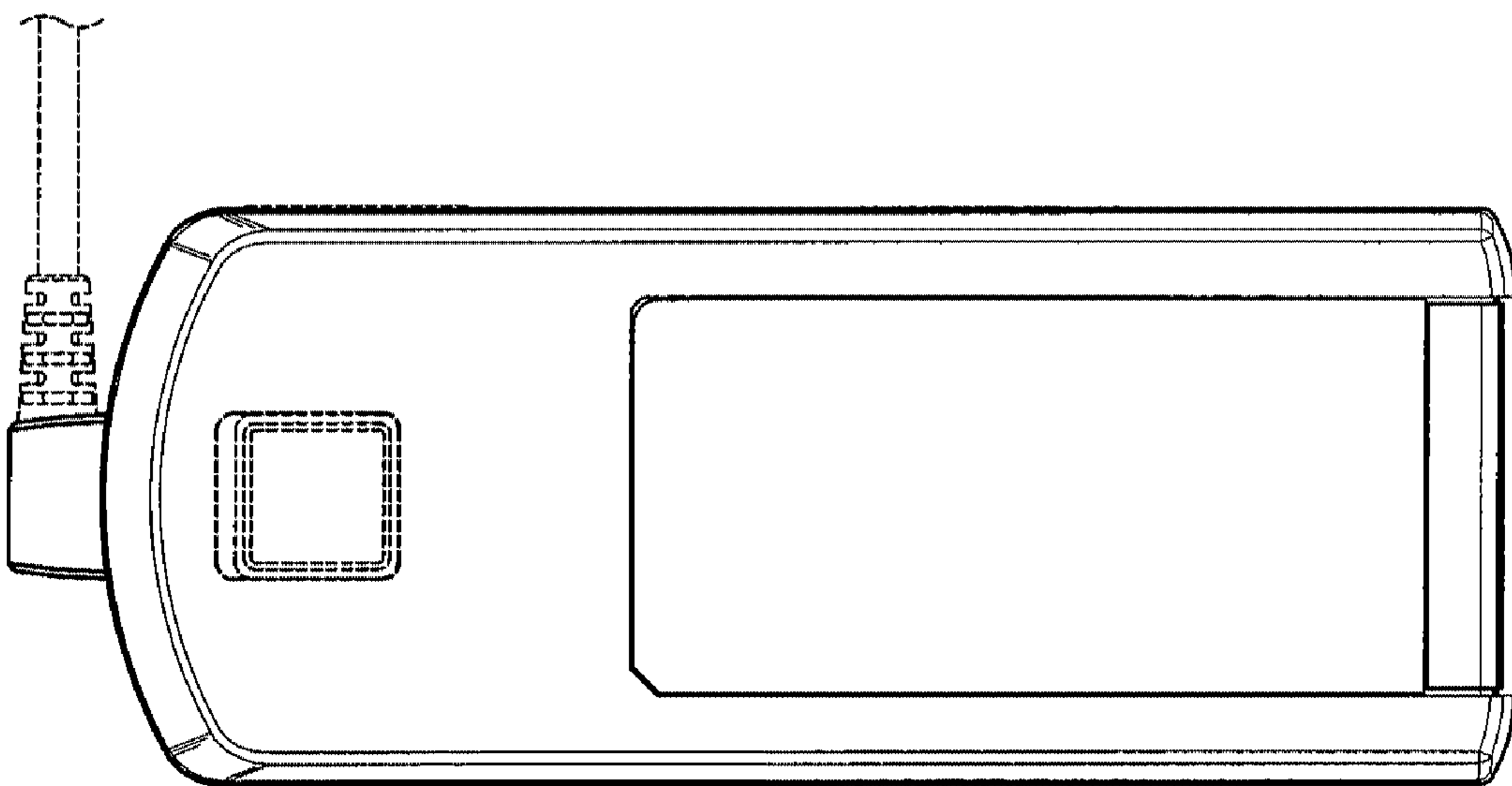


FIG. 6

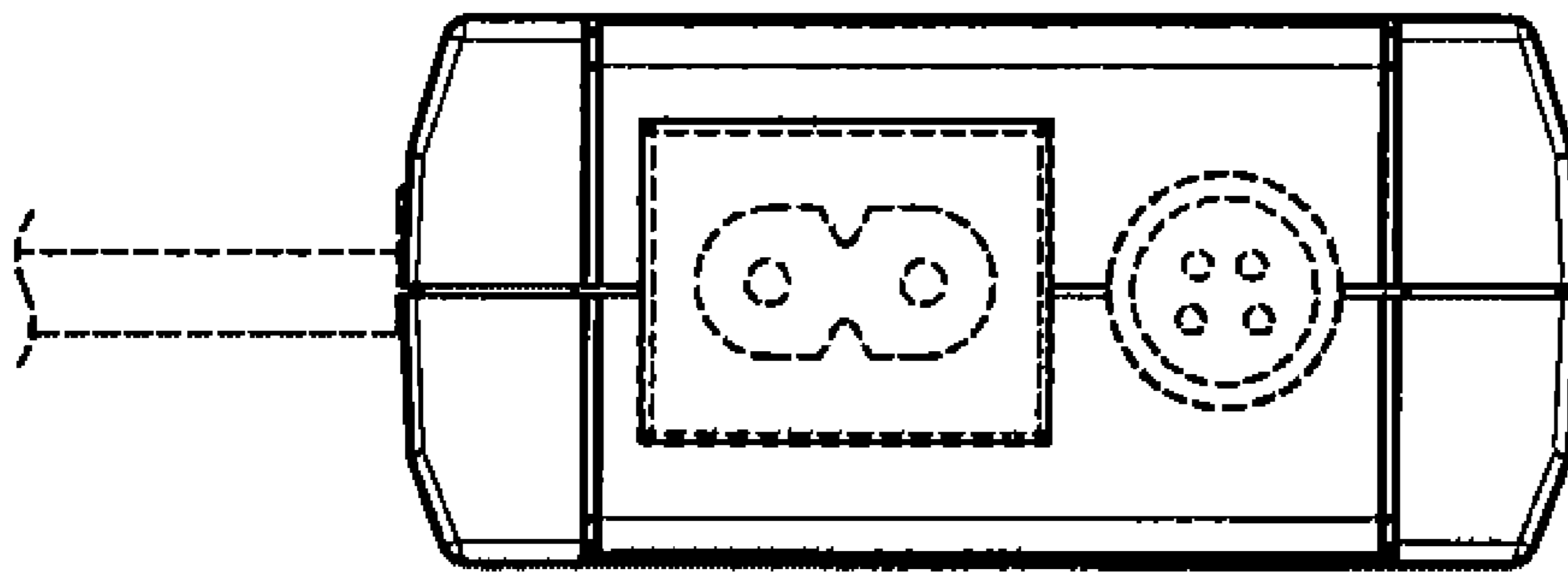


FIG. 7

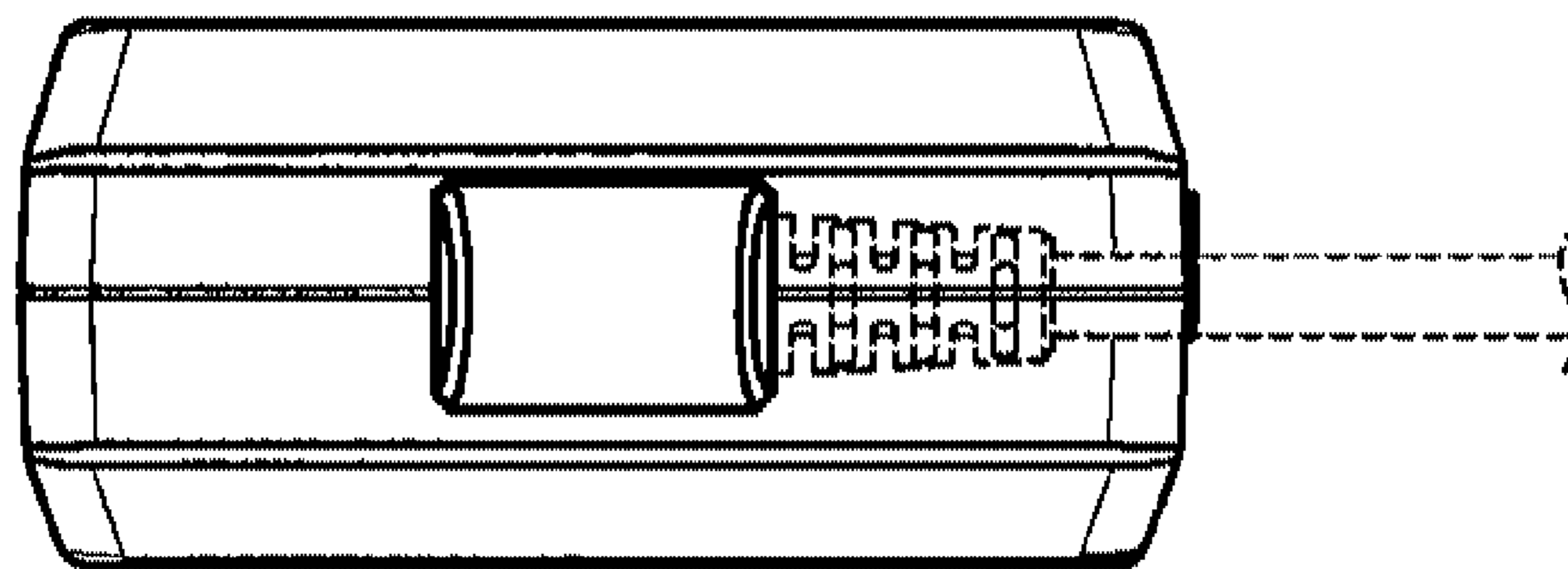


FIG. 8

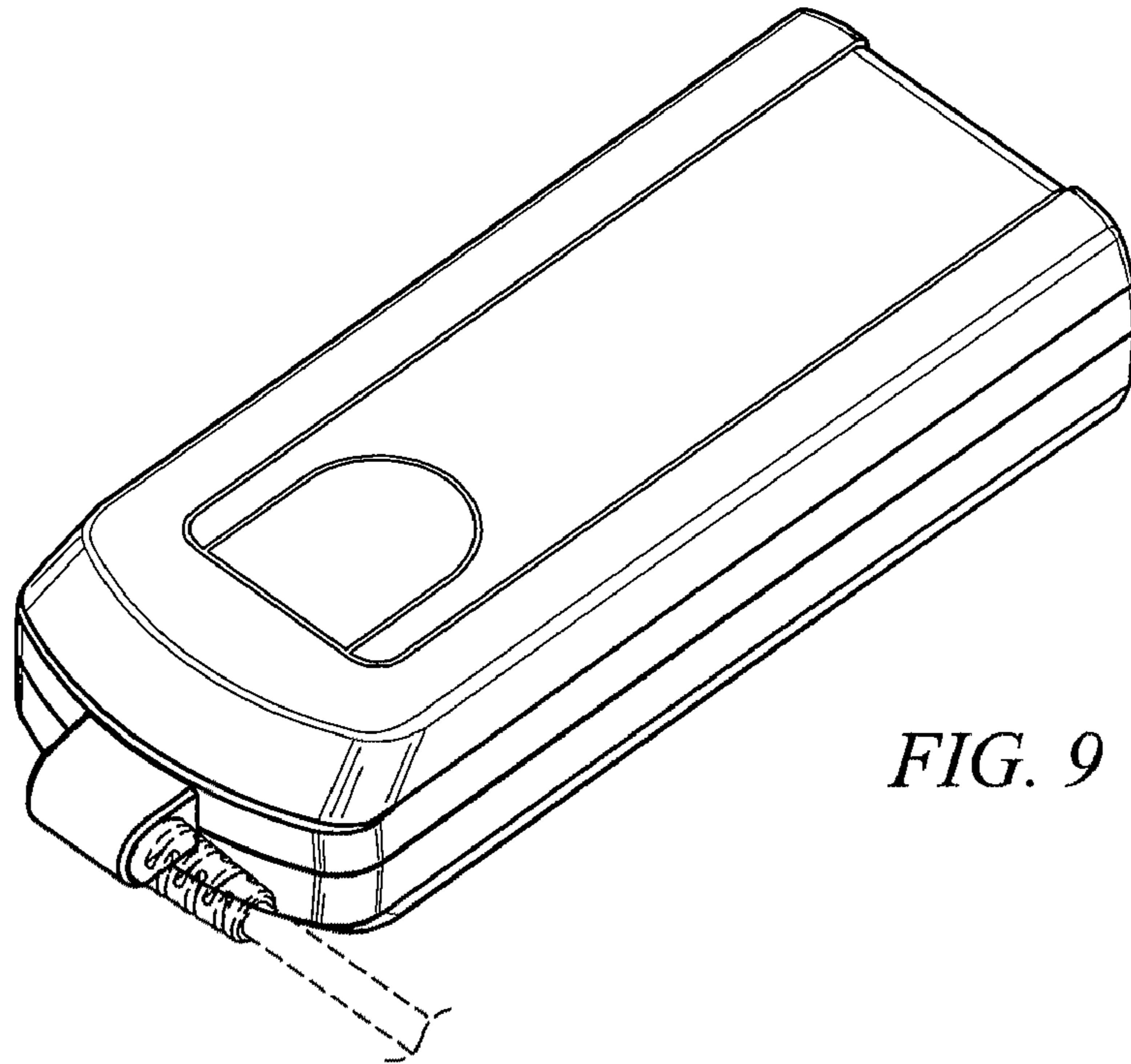


FIG. 9

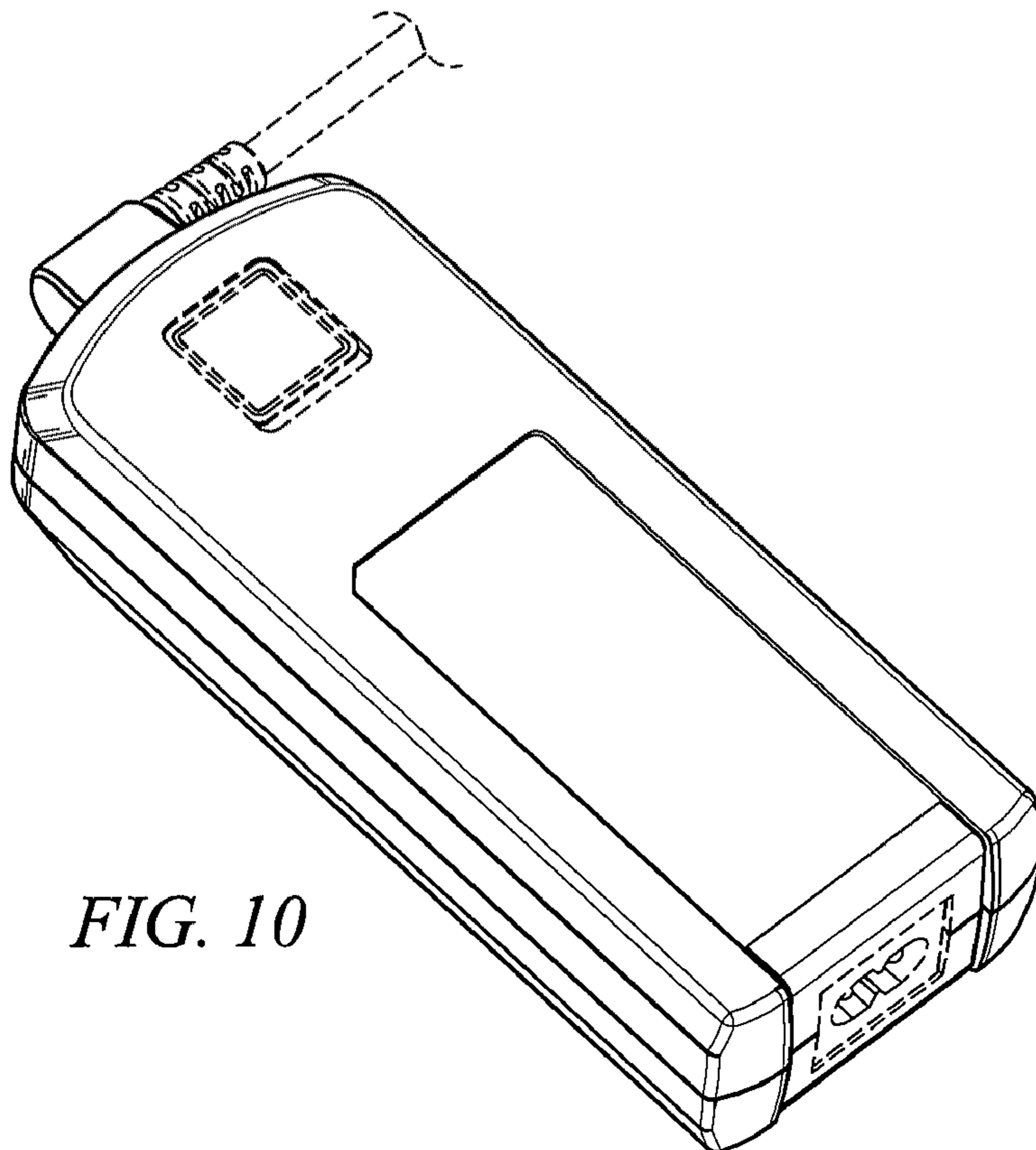


FIG. 10

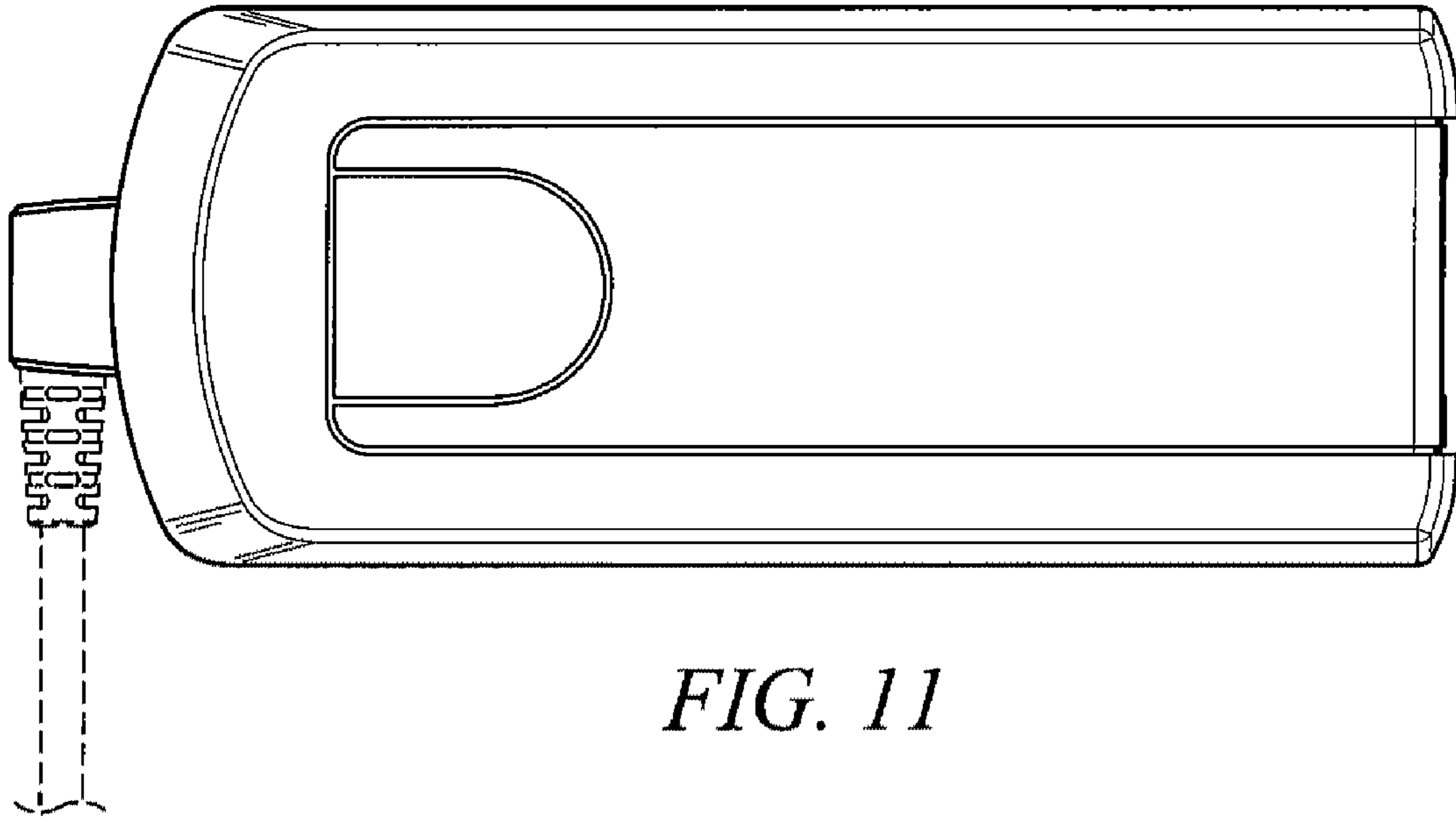


FIG. 11

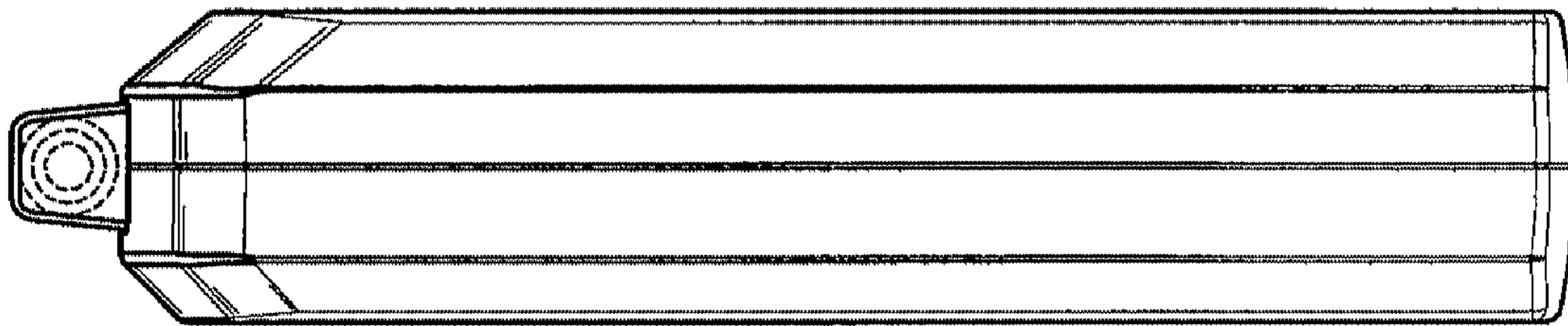


FIG. 12

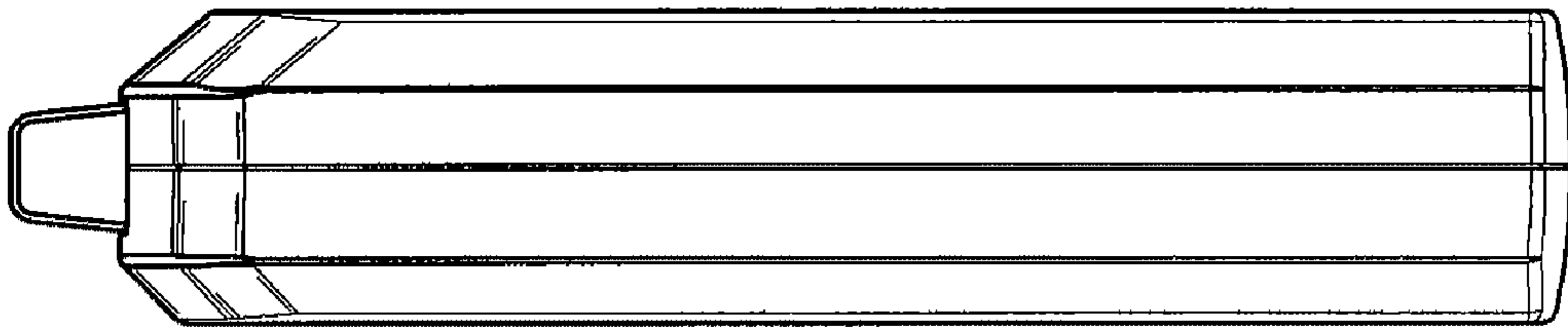


FIG. 13

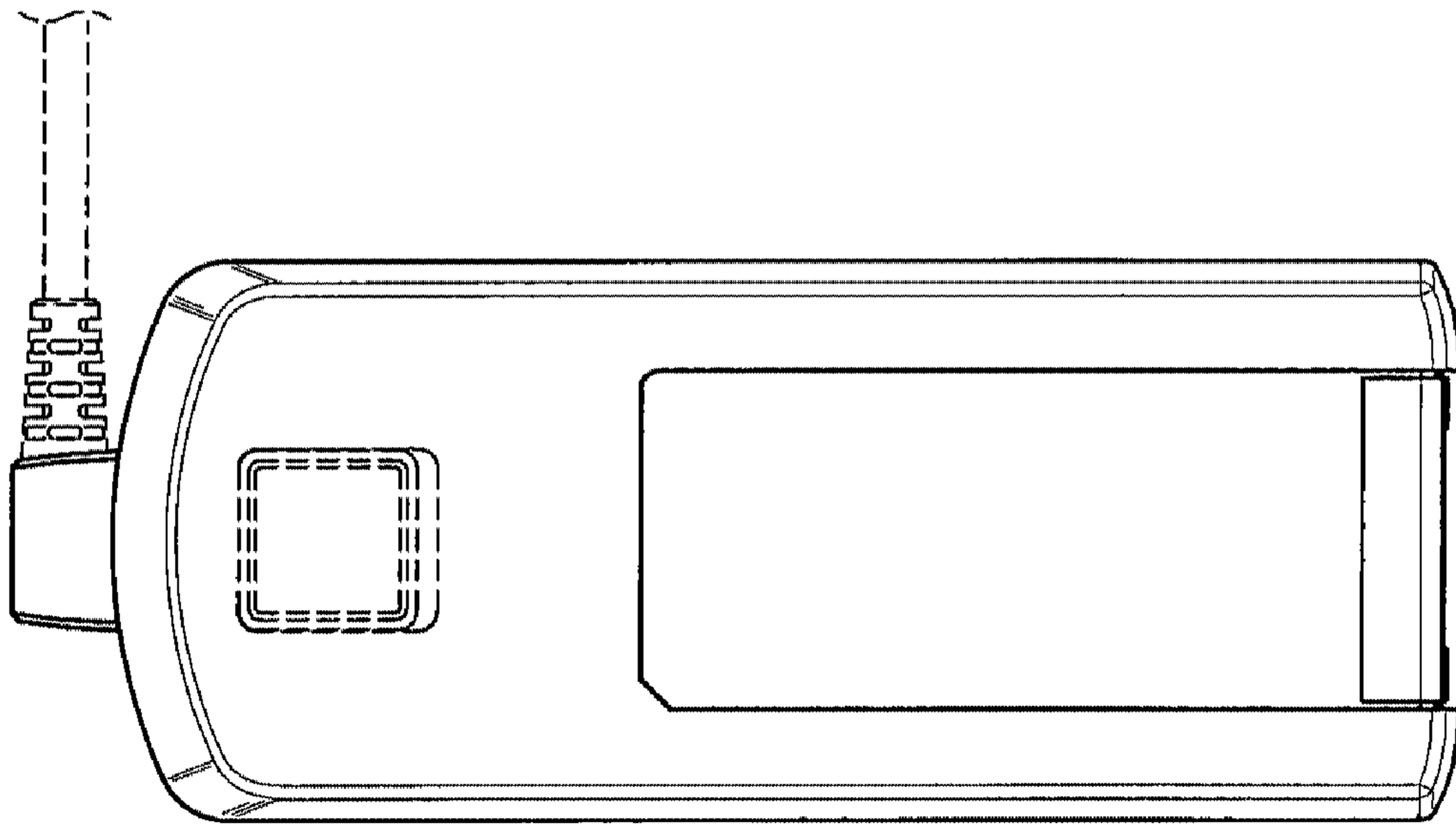


FIG. 14

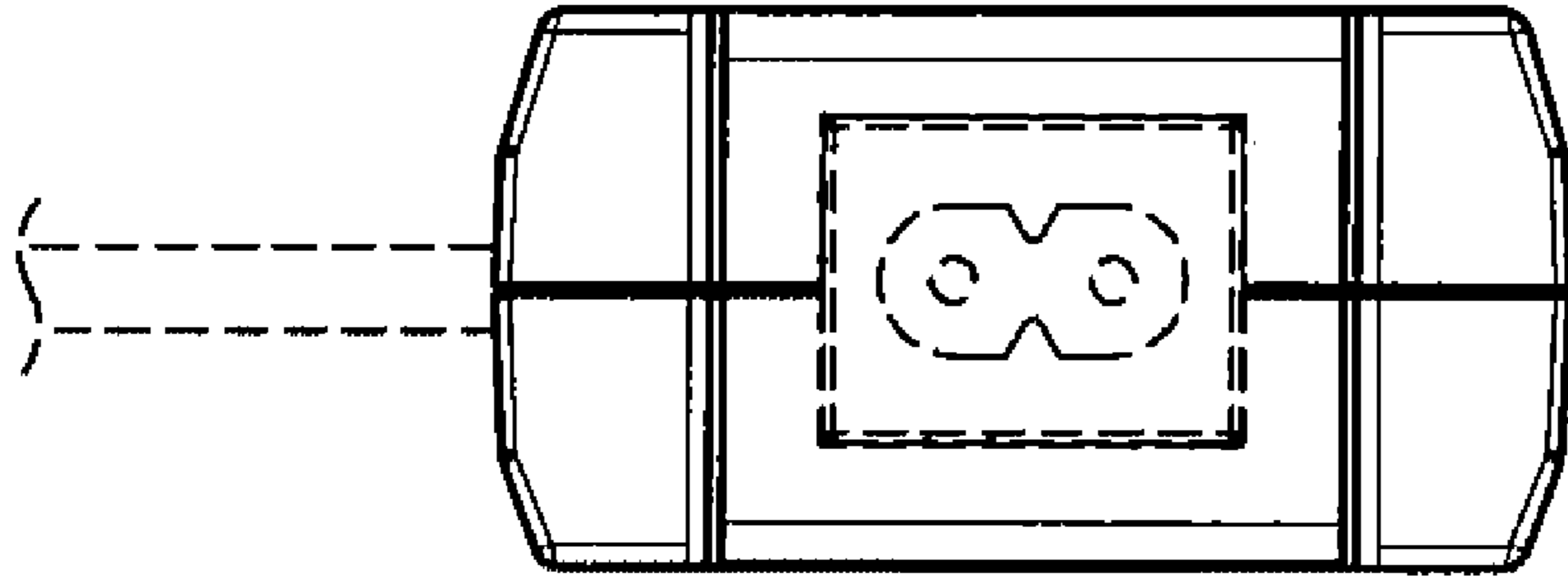


FIG. 15

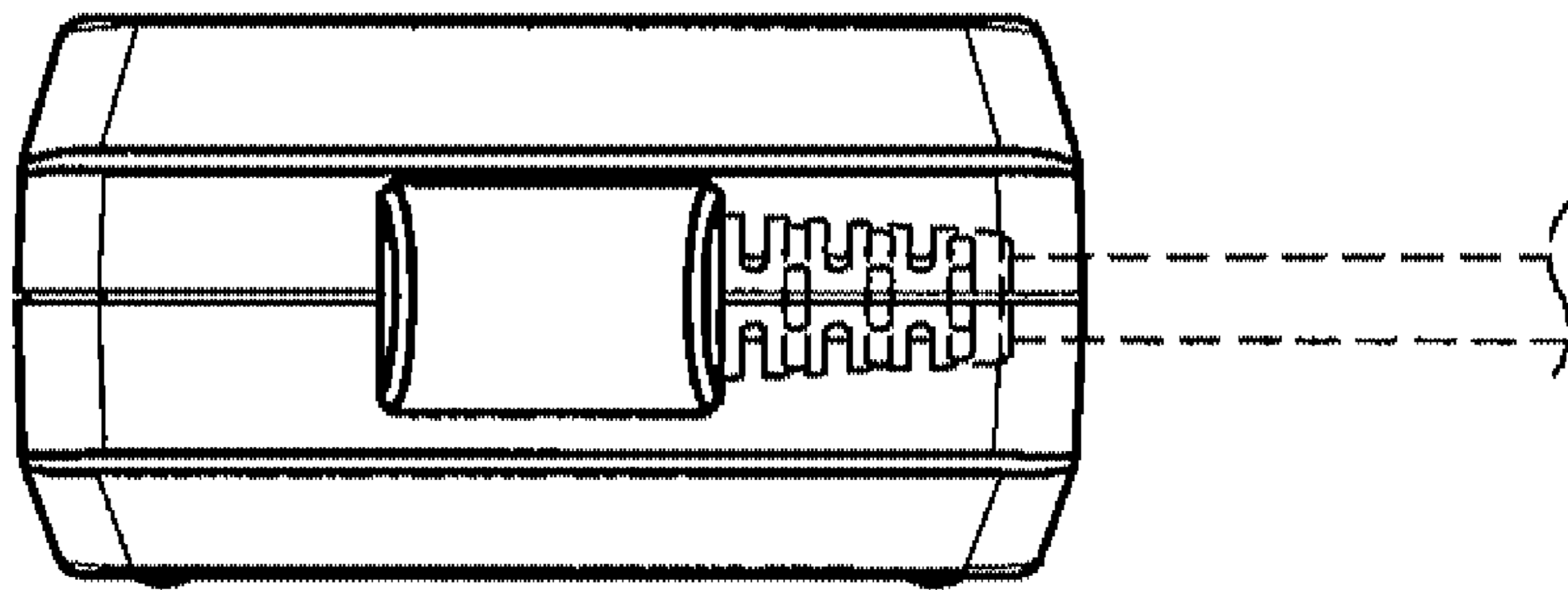


FIG. 16

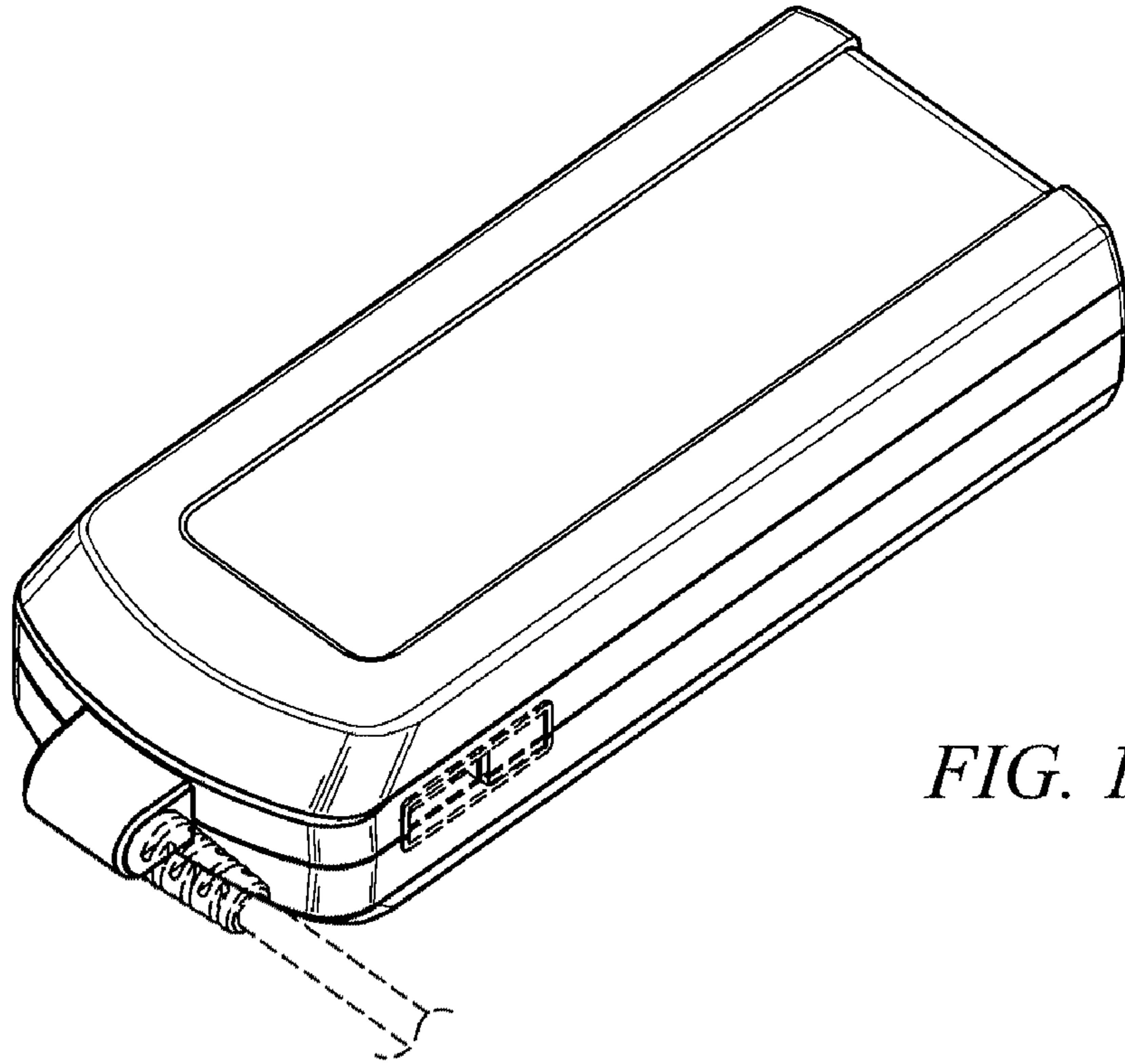


FIG. 17

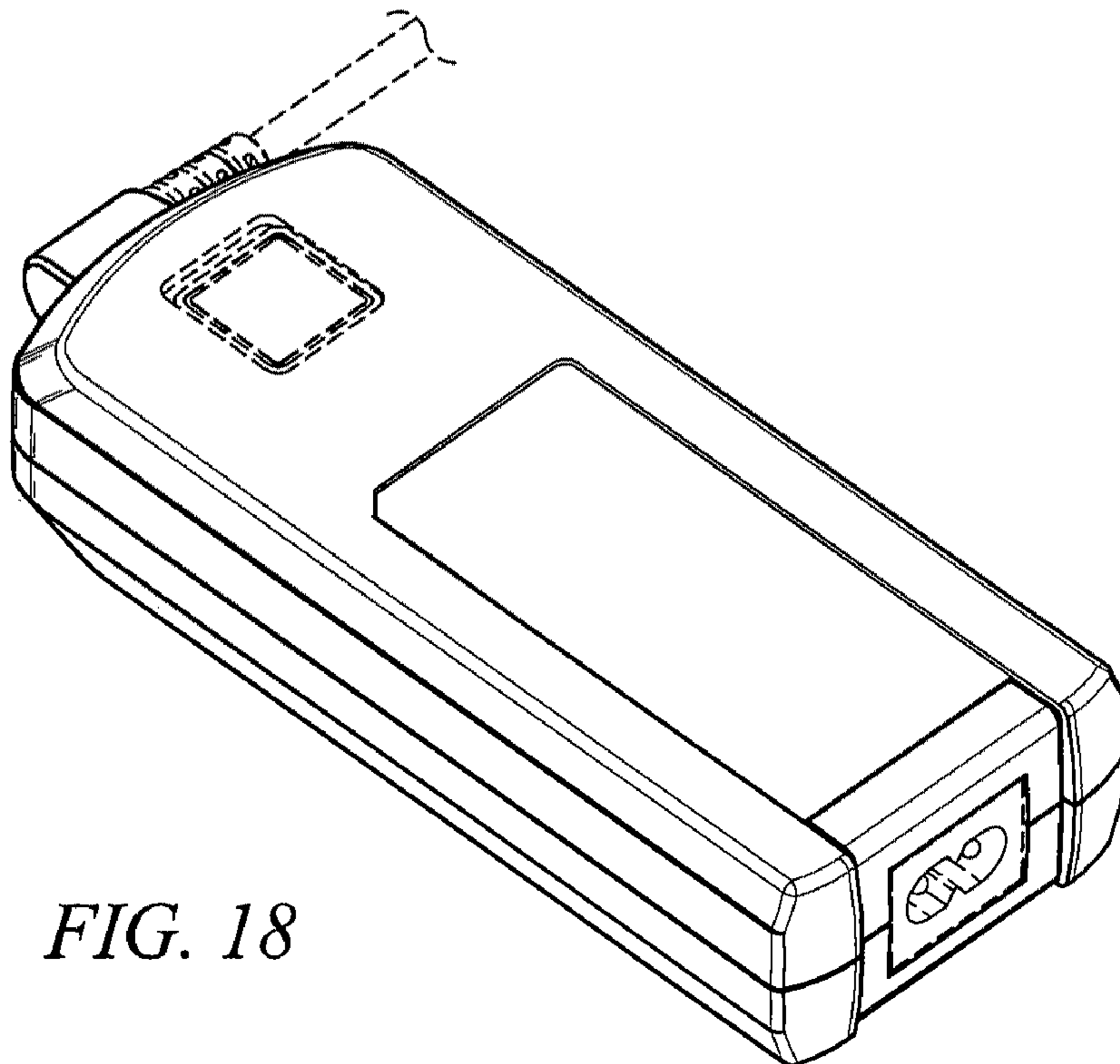


FIG. 18

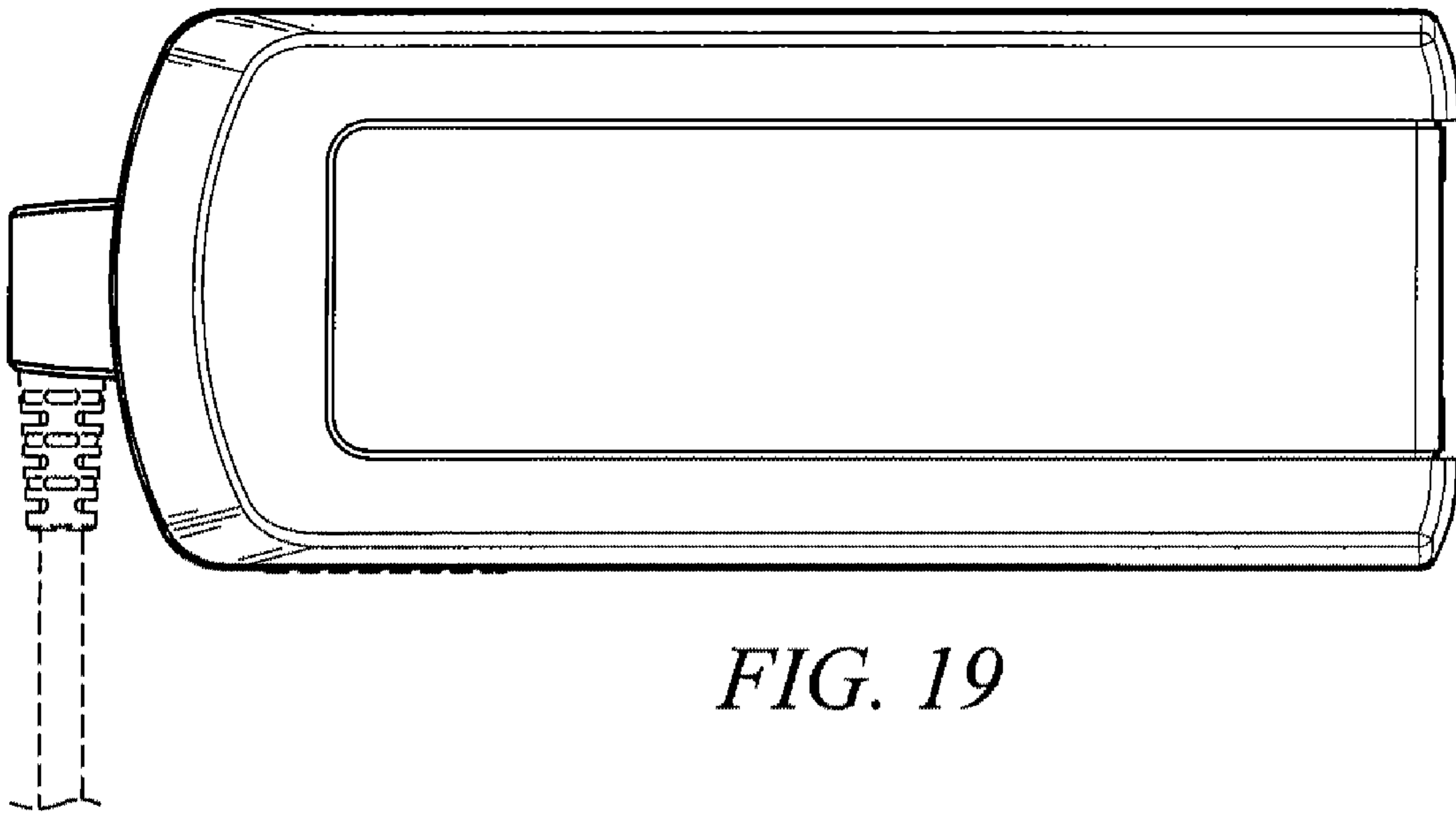


FIG. 19

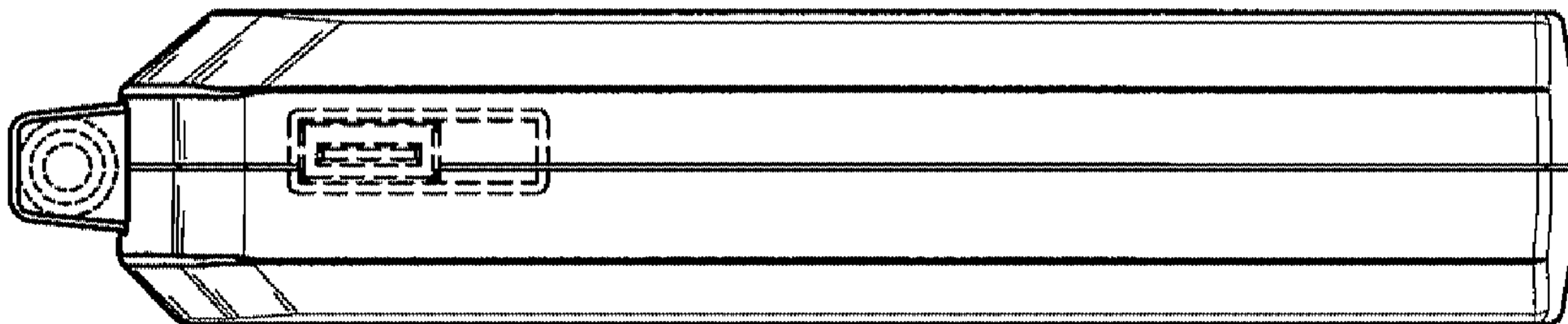


FIG. 20

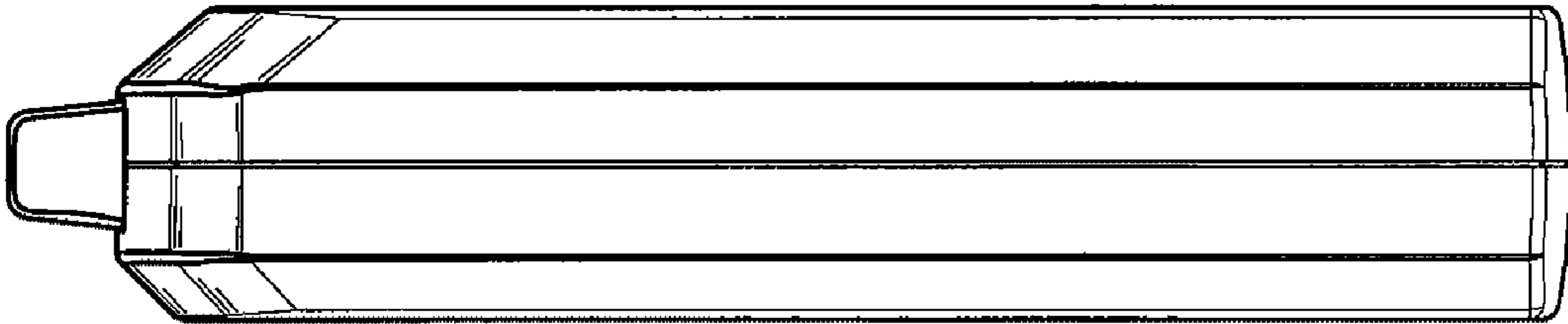


FIG. 21

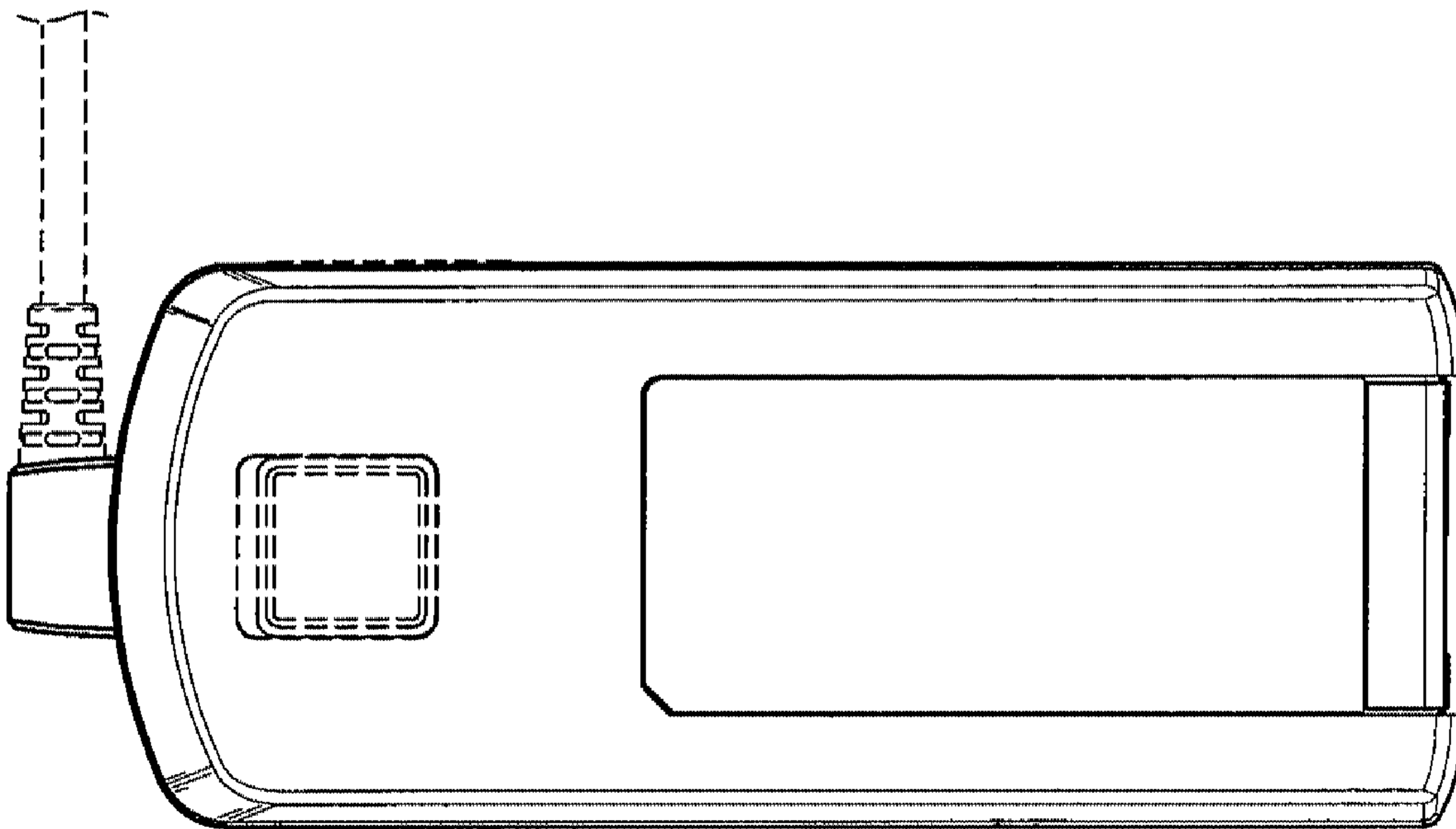


FIG. 22

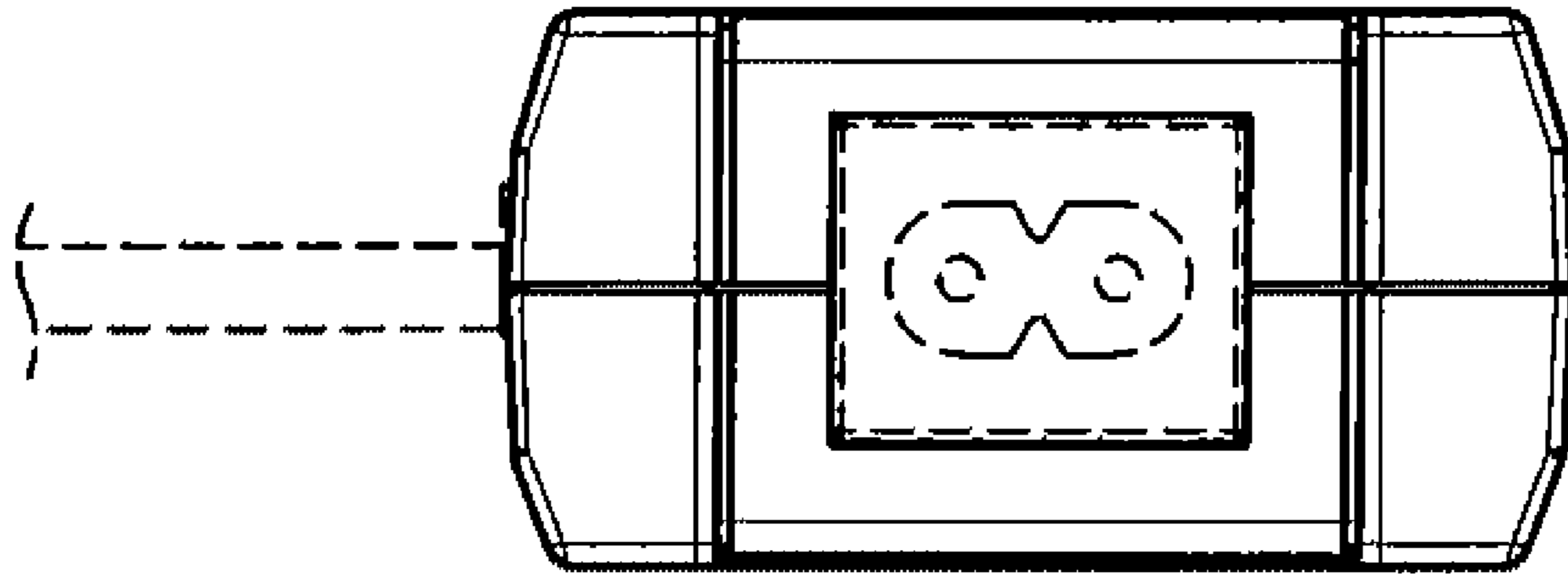


FIG. 23

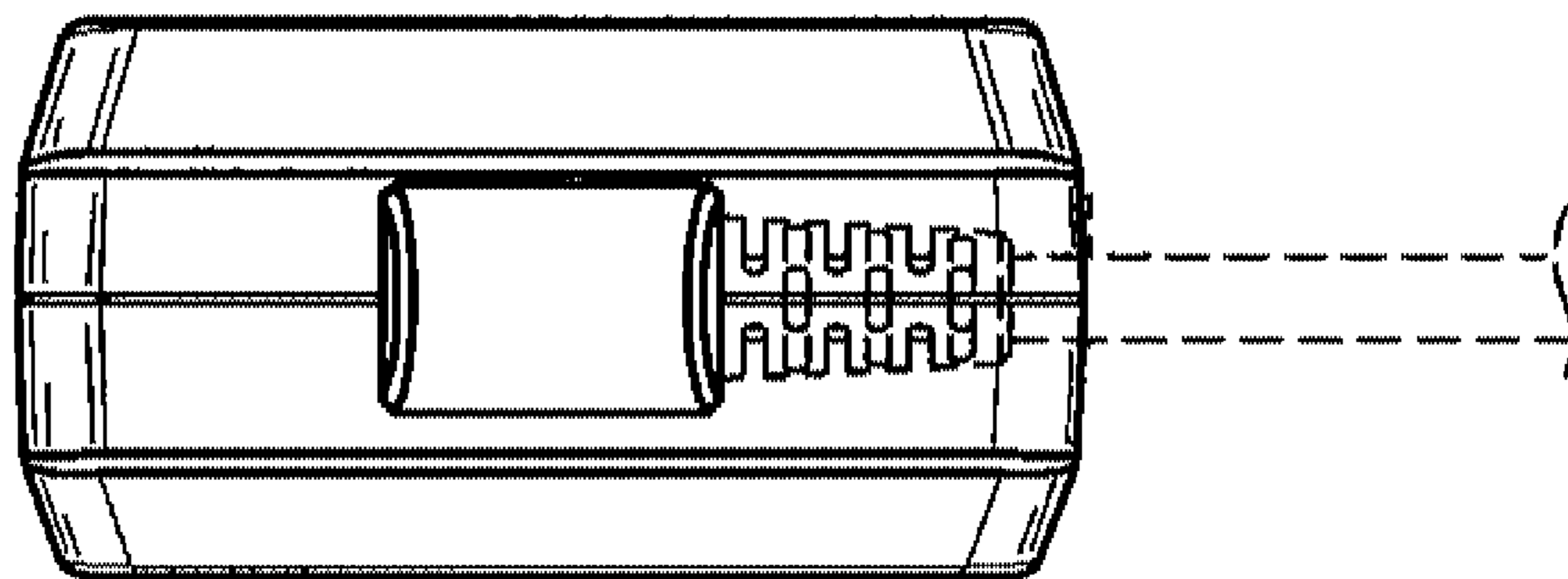


FIG. 24