

US00D570771S

(12) **United States Design Patent**
Chang et al.

(10) **Patent No.:** **US D570,771 S**
(45) **Date of Patent:** **** Jun. 10, 2008**

(54) **POWER ADAPTER**

D457,134 S * 5/2002 Lam et al. D13/110

(75) Inventors: **Shih-Wei Chang**, Jhudong Township,
Hsinchu County (TW); **Yu-Chen Liu**,
Vancouver (CA)

* cited by examiner

Primary Examiner—Prabhakar Deshmukh

Assistant Examiner—Derrick Holland

(73) Assignee: **Hong-Chuang Liu**, Vancouver B.C.
(CA)

(74) *Attorney, Agent, or Firm*—Troxell Law Office, PLLC

(**) Term: **14 Years**

(57) **CLAIM**

(21) Appl. No.: **29/272,500**

The ornamental design for a power adapter, as shown and described.

(22) Filed: **Feb. 9, 2007**

DESCRIPTION

(51) **LOC (8) Cl.** **13-02**

FIG. 1 is a perspective view of the power adapter showing the new design;

(52) **U.S. Cl.** **D13/110**

FIG. 2 is a front view of the new design;

(58) **Field of Classification Search** D13/110,
D13/107, 144, 199; 307/150, 151; 439/171,
439/172, 300, 669, 675, 954

FIG. 3 is a rear view of the new design;

FIG. 4 is a left view of the new design;

See application file for complete search history.

FIG. 5 is a right view of the new design;

FIG. 6 is a top view of the new design;

(56) **References Cited**

FIG. 7 is a bottom view of the new design;

U.S. PATENT DOCUMENTS

FIG. 8 is a perspective view of the power adapter, shown in condition of use; and,

D347,824 S * 6/1994 Wharton D13/144

FIG. 9 is another perspective view of the power adapter, shown in condition of use.

5,648,712 A * 7/1997 Hahn 320/111

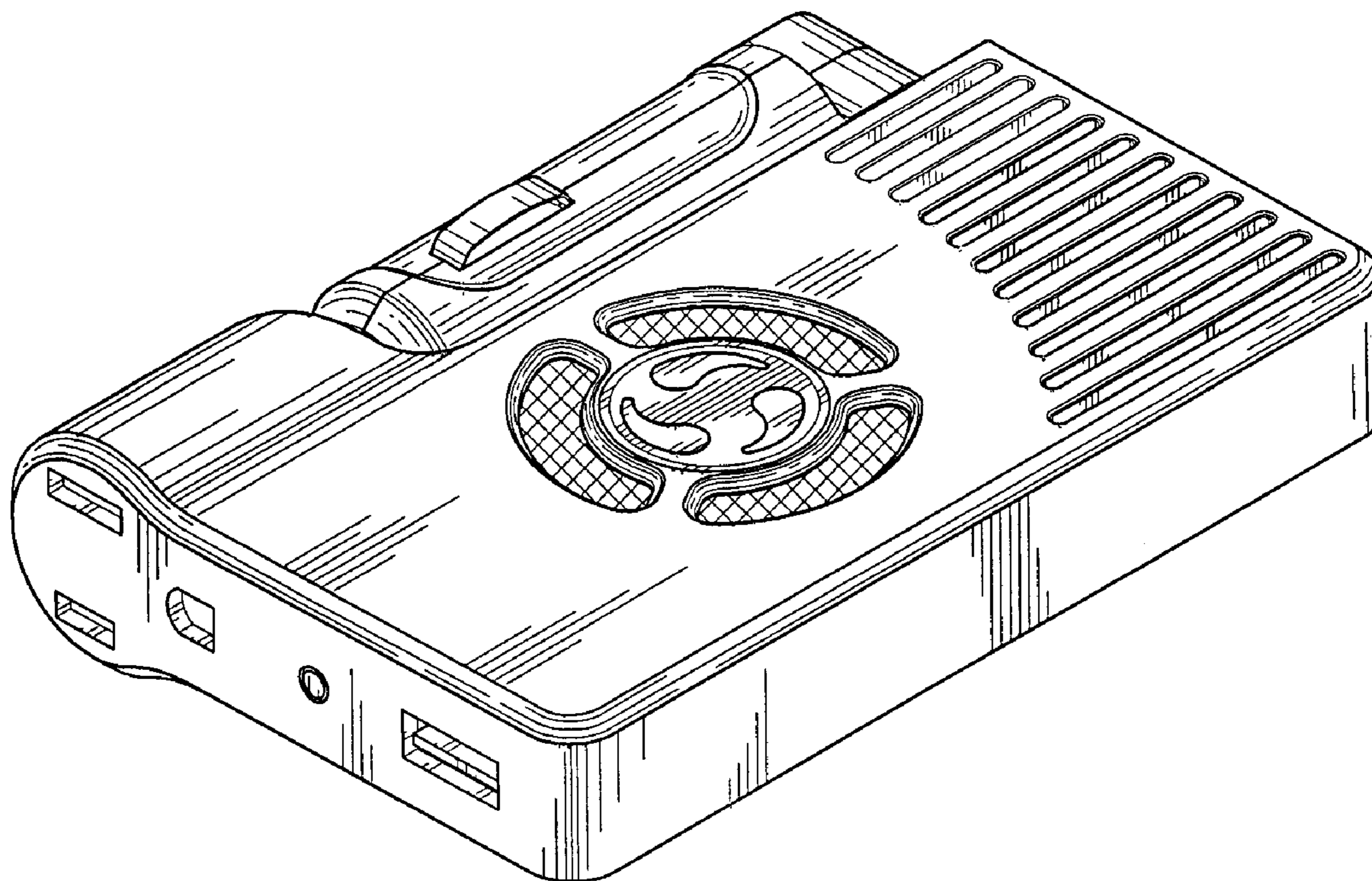
D407,687 S * 4/1999 Tashiro D13/110

D410,432 S * 6/1999 Park D13/110

D456,008 S * 4/2002 Kawanobe et al. D13/110

D456,349 S * 4/2002 Chuang D13/107

1 Claim, 6 Drawing Sheets



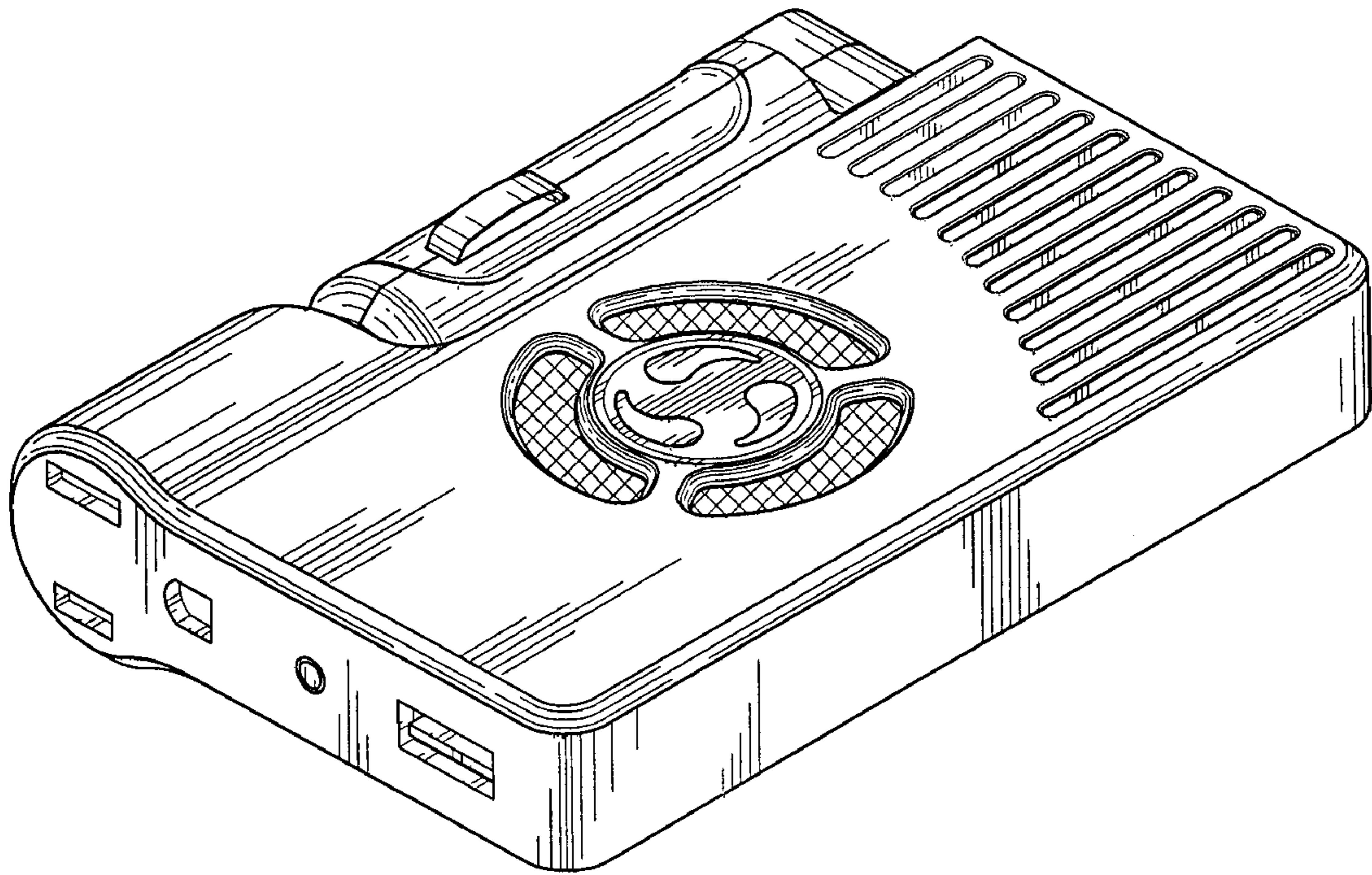


Fig. 1

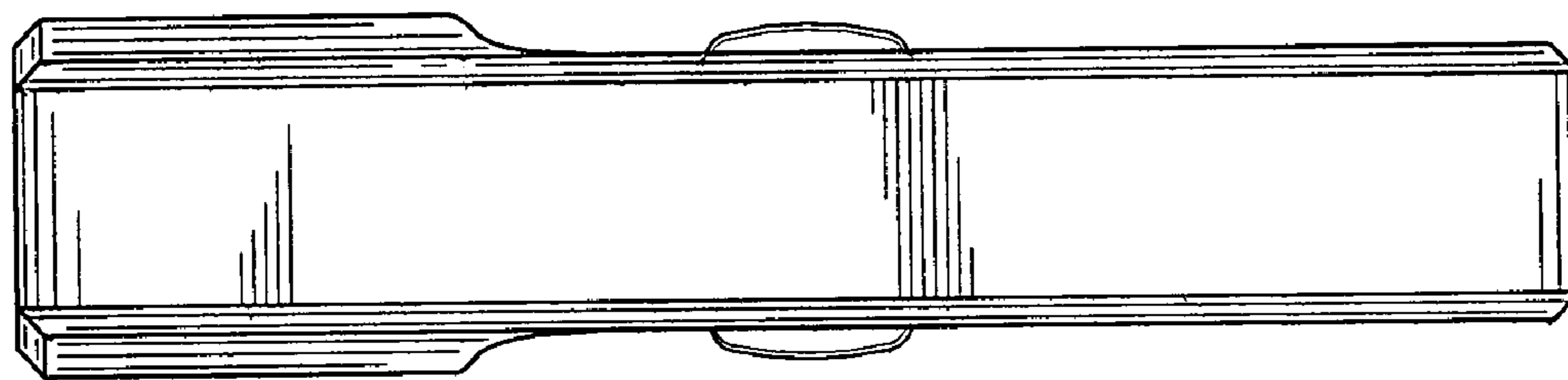


Fig. 2

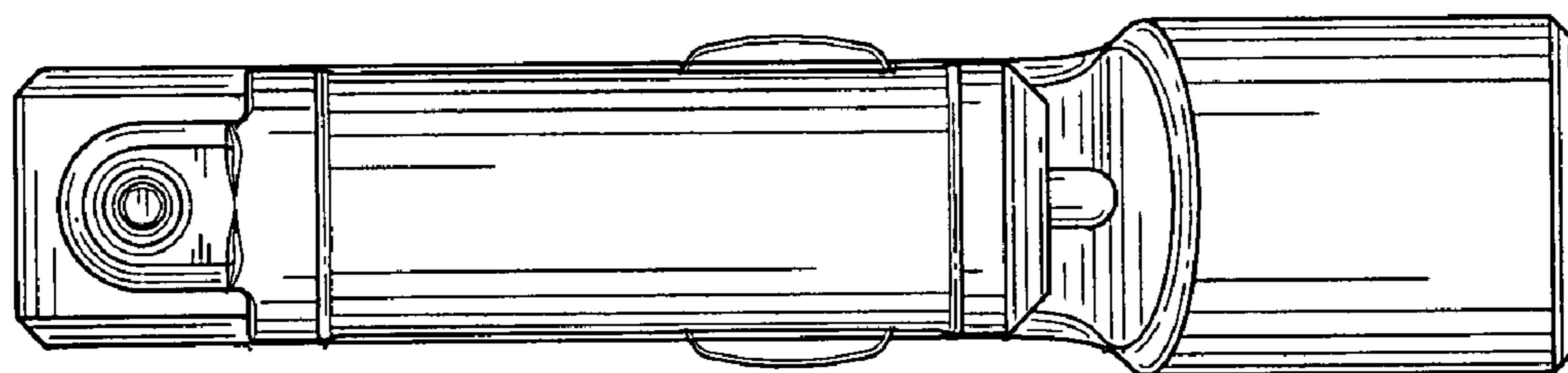


Fig. 3

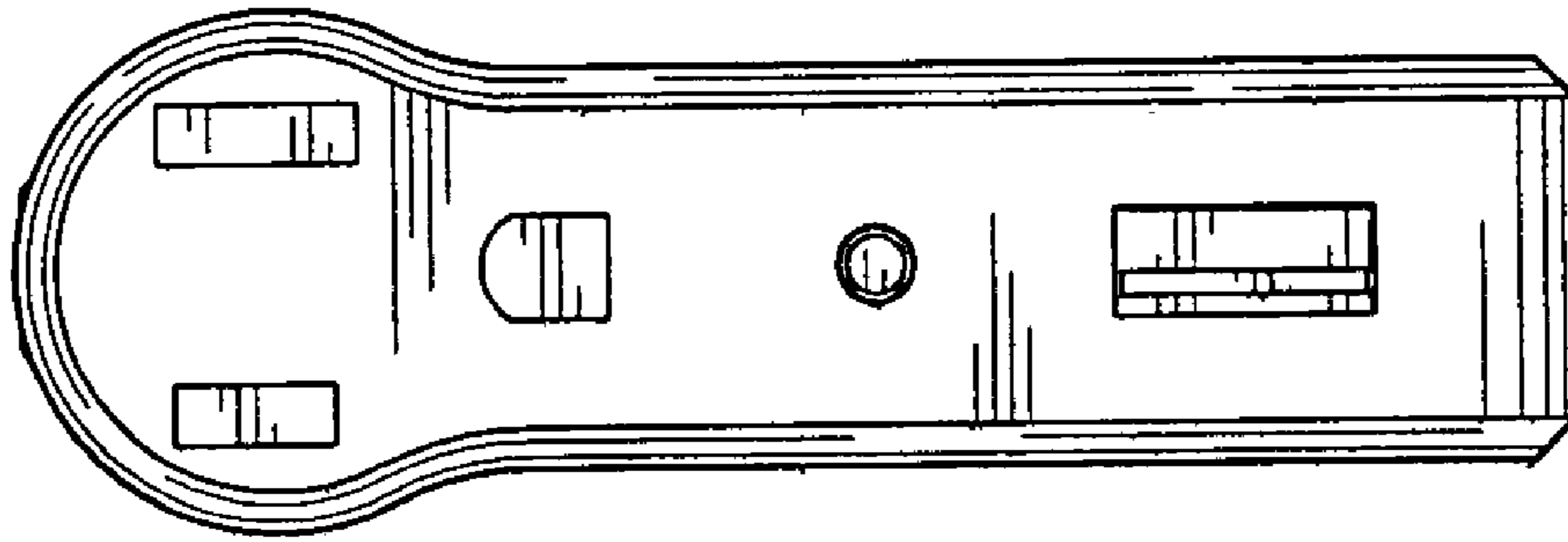


Fig. 4

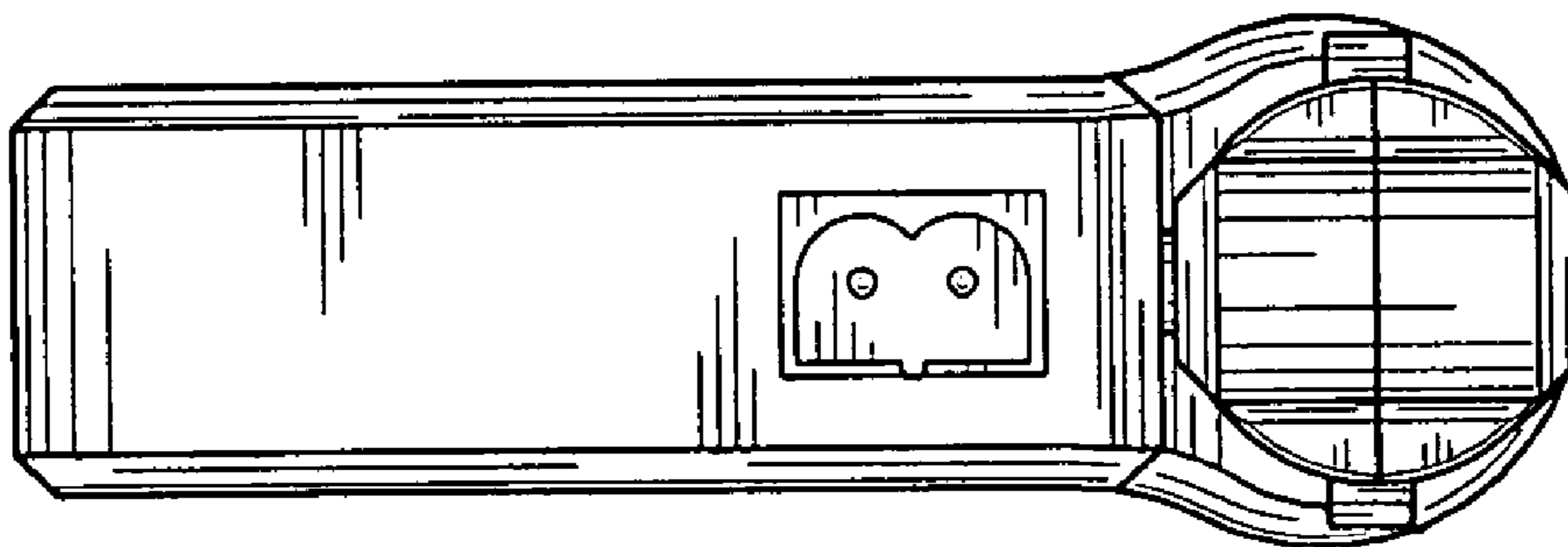


Fig. 5

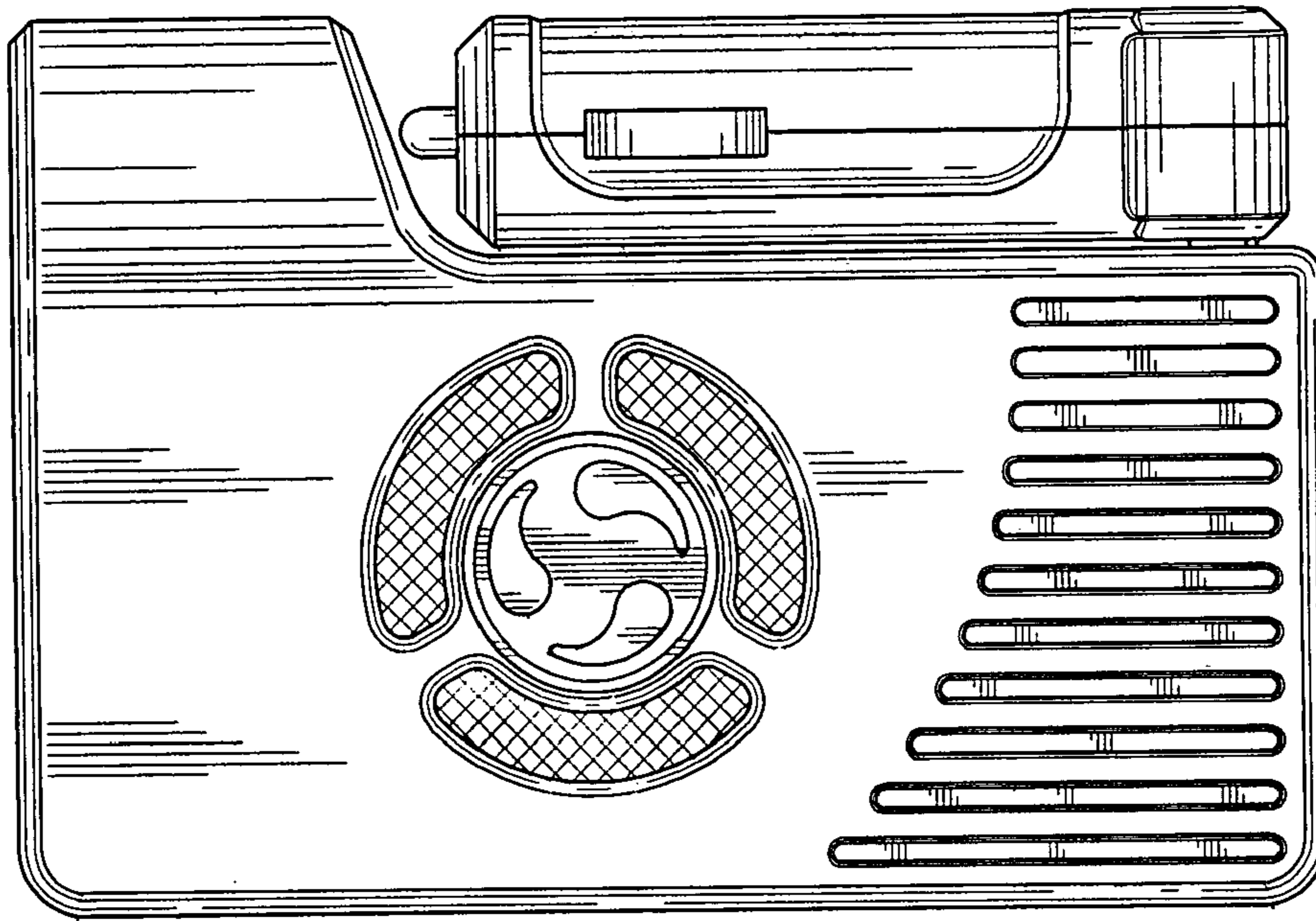


Fig. 6

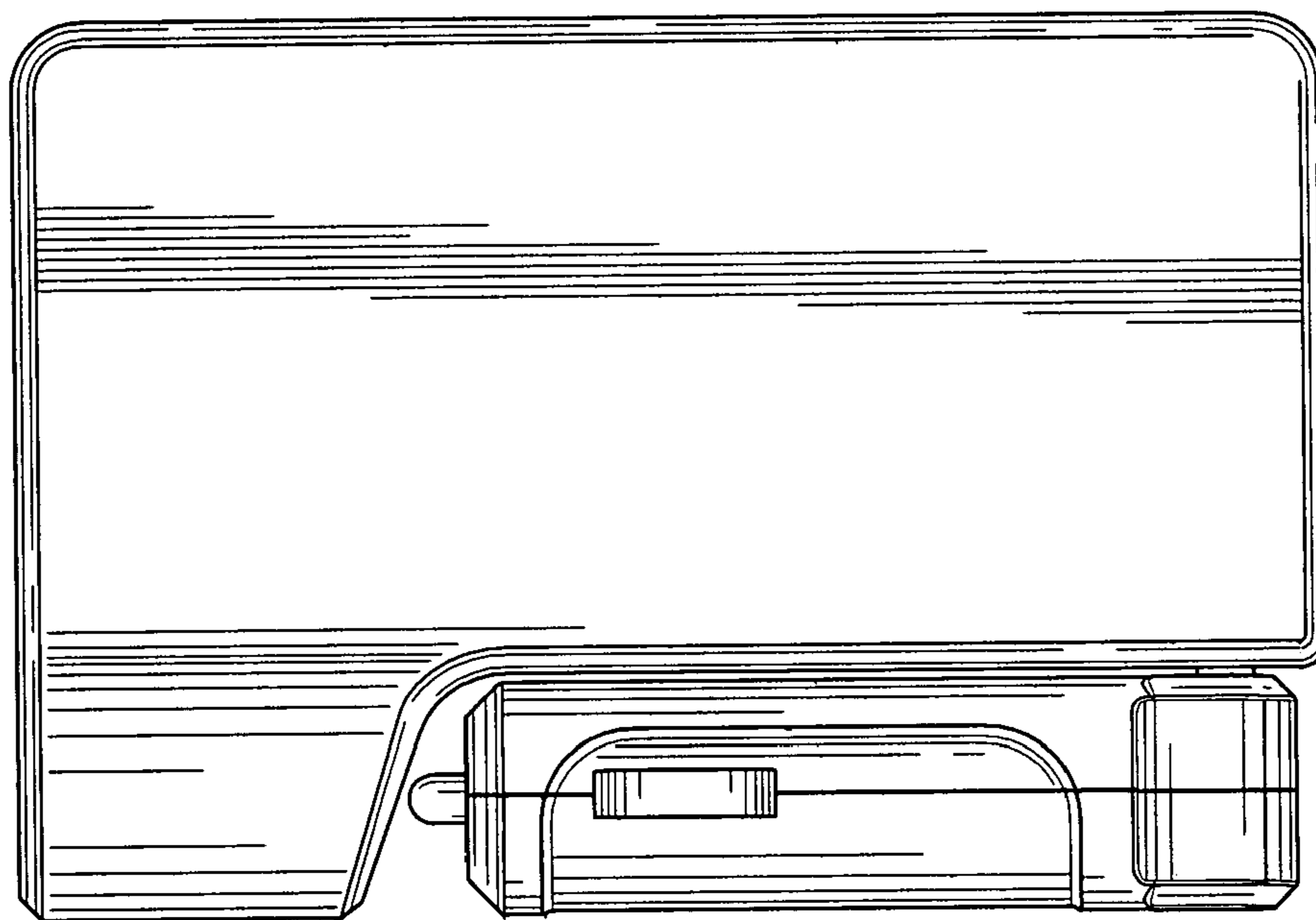


Fig. 7

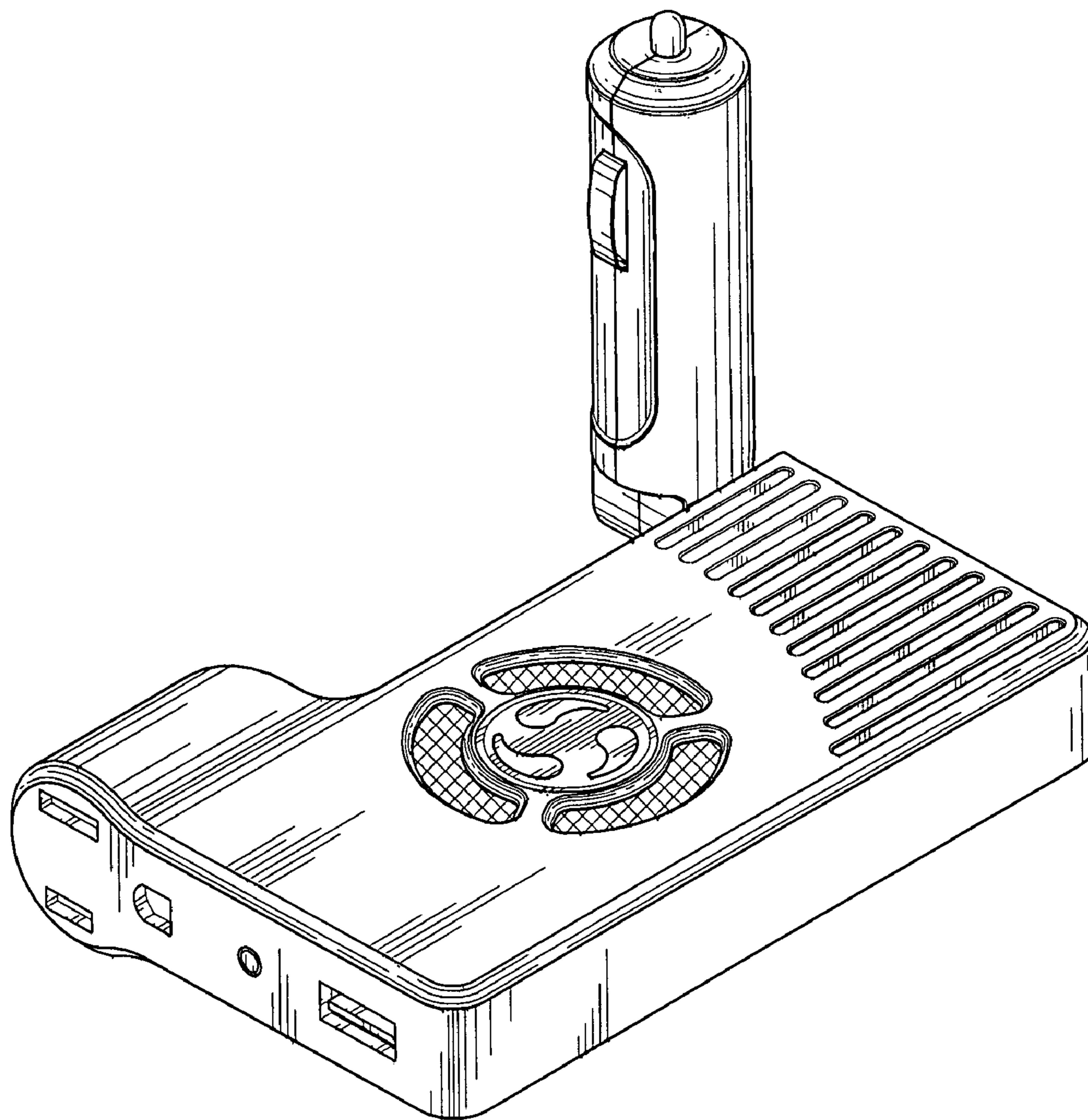


Fig. 8

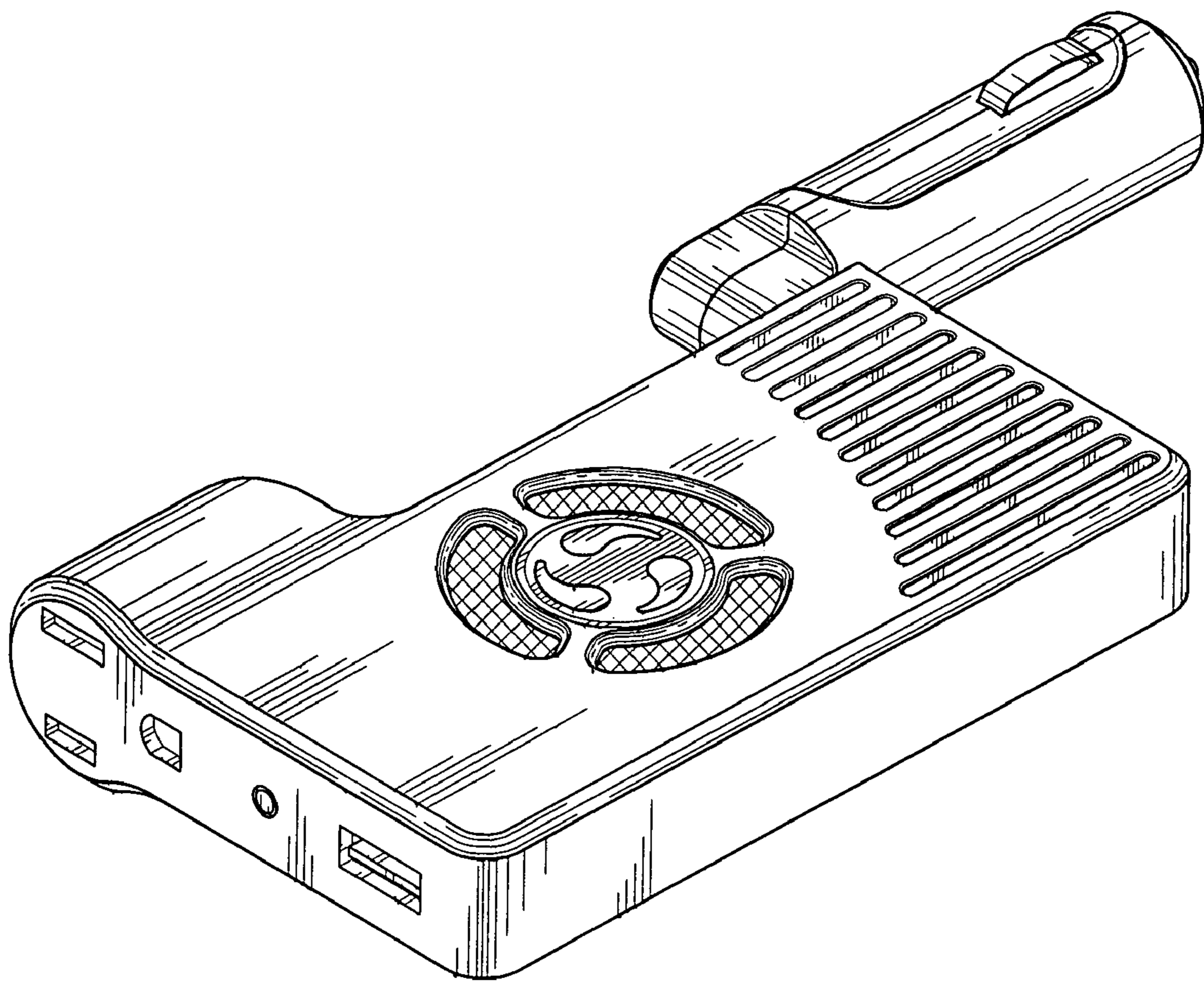


Fig. 9