



US00D570770S

(12) **United States Design Patent**
Miller

(10) **Patent No.:** **US D570,770 S**
(45) **Date of Patent:** **** Jun. 10, 2008**

(54) **REMOVABLE AND STACKABLE POWER CONVERTER**

D368,068 S * 3/1996 Alden et al. D13/110
D490,051 S * 5/2004 Kikumoto D13/102

(76) Inventor: **David Eli Miller**, 4825 Trafalgar Street,
Vancouver, British Columbia (CA) V6L
2N1

* cited by examiner

Primary Examiner—Prabhakar Deshmukh

Assistant Examiner—Derrick Holland

(74) *Attorney, Agent, or Firm*—Schwabe, Williamson &
Wyatt, P.C.

(**) Term: **14 Years**

(21) Appl. No.: **29/267,125**

(22) Filed: **Oct. 4, 2006**

(30) **Foreign Application Priority Data**

Apr. 11, 2006 (CA) 115282

(51) **LOC (8) Cl.** **13-02**

(52) **U.S. Cl.** **D13/110**

(58) **Field of Classification Search** D13/110,
D13/101, 123, 162, 184, 199; D14/348,
D14/349, 353, 357, 358; 307/151; 361/600,
361/601, 707, 715, 730; 363/15, 35
See application file for complete search history.

(56) **References Cited**

U.S. PATENT DOCUMENTS

D220,109 S * 3/1971 Gnaedinger et al. D13/110
D226,011 S * 1/1973 Plantholt et al. D13/110
4,908,734 A * 3/1990 Fujioka 361/703
5,172,305 A * 12/1992 DeWilde 361/796
D339,102 S * 9/1993 Boyd D13/110
D351,134 S * 10/1994 Hunziker D13/110
D365,082 S * 12/1995 Cook et al. D13/110

(57) **CLAIM**

I claim an ornamental design of a removable and stackable power converter, as shown and described.

DESCRIPTION

FIG. 1 is a perspective view of a removable and stackable power converter in accordance with an embodiment of the present design;

FIG. 2 is a front view thereof;

FIG. 3 is a rear view thereof;

FIG. 4 is a right side view thereof;

FIG. 5 is a left side view thereof;

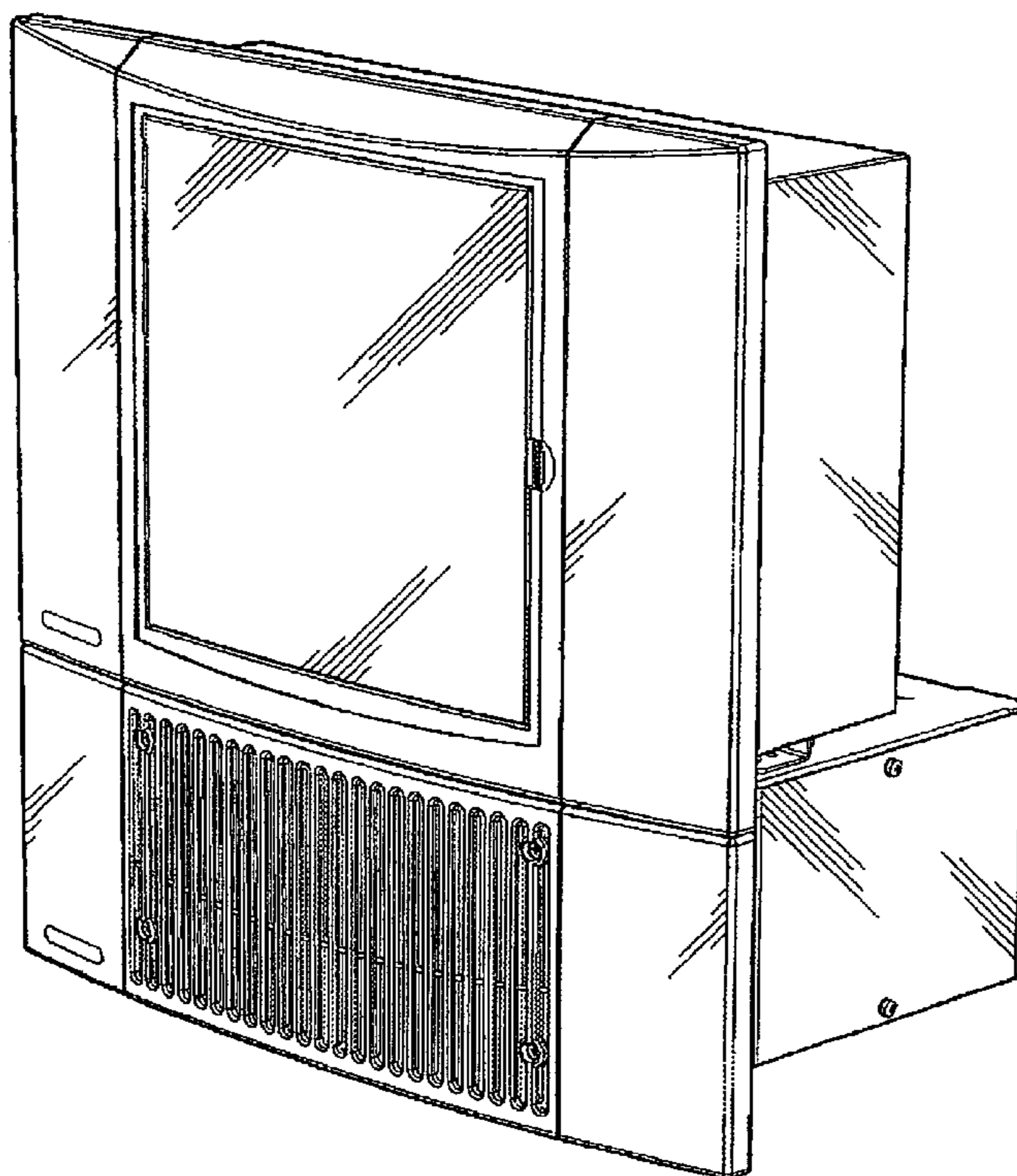
FIG. 6 is a top plan view thereof; and,

FIG. 7 is a bottom plan view thereof.

The broken lines showing are for illustrative purposes and form no part of the claimed design.

The broken line(s) which define the bounds of the claimed design form no part thereof.

1 Claim, 7 Drawing Sheets



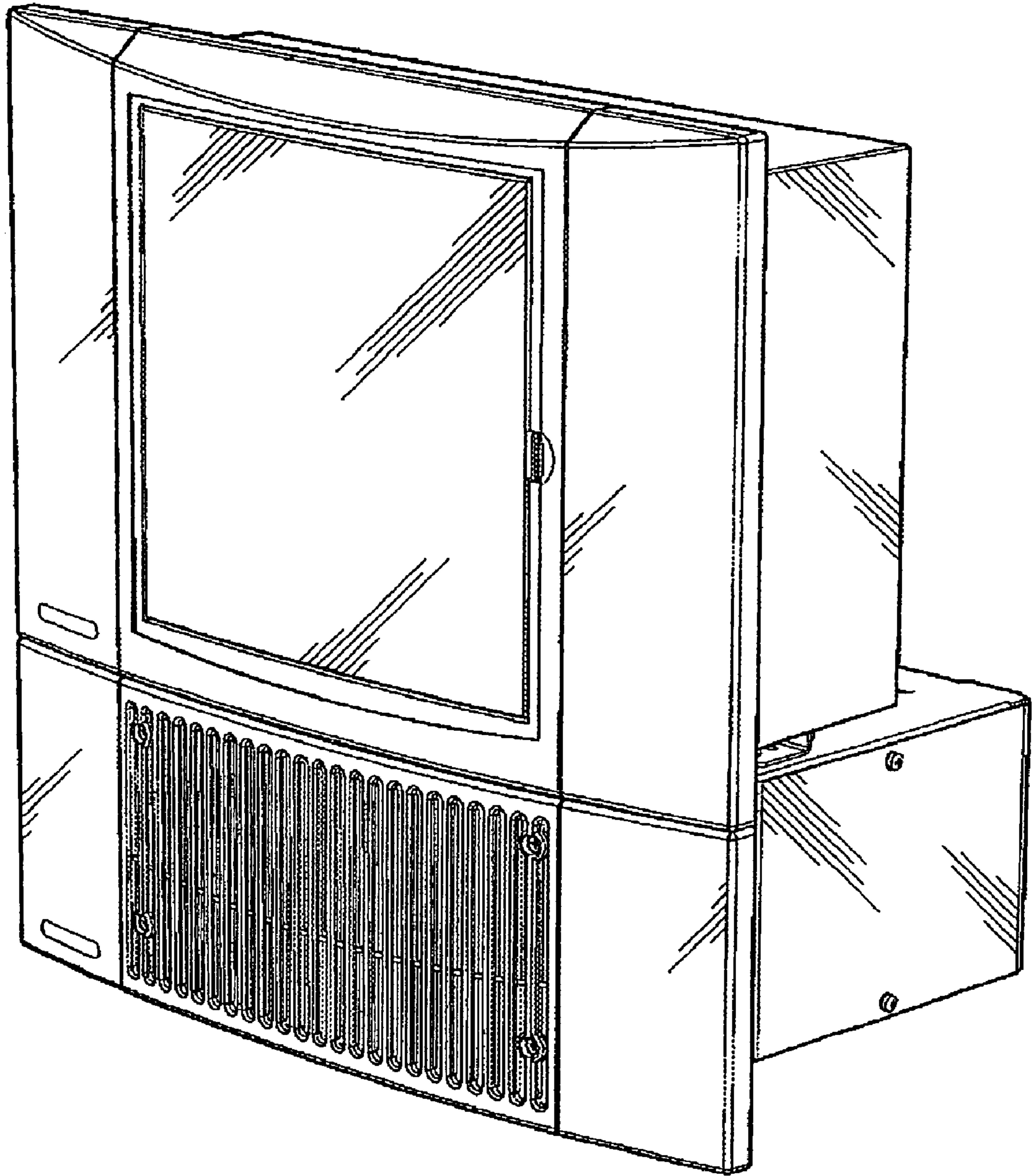


FIG. 1

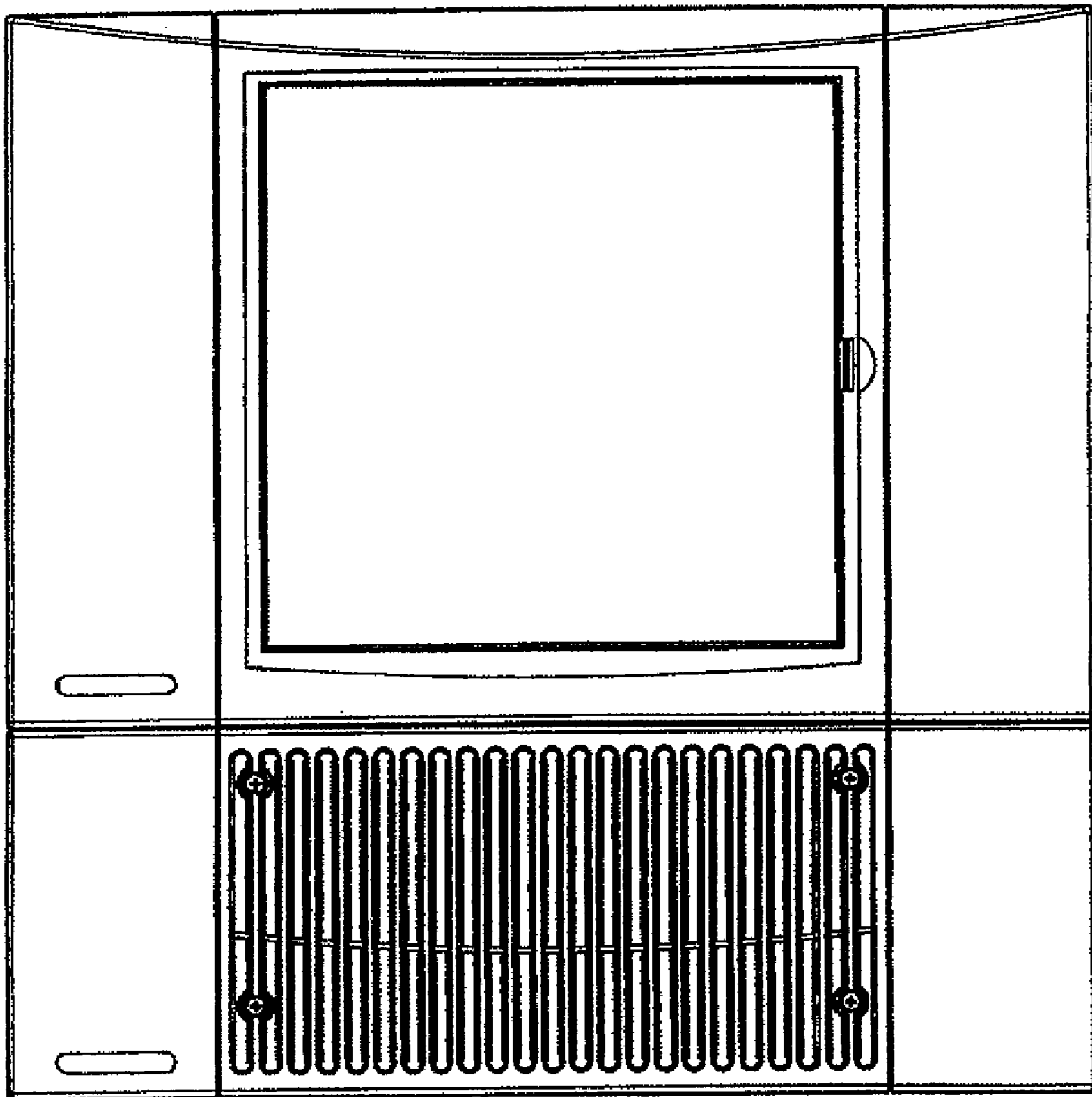


FIG. 2

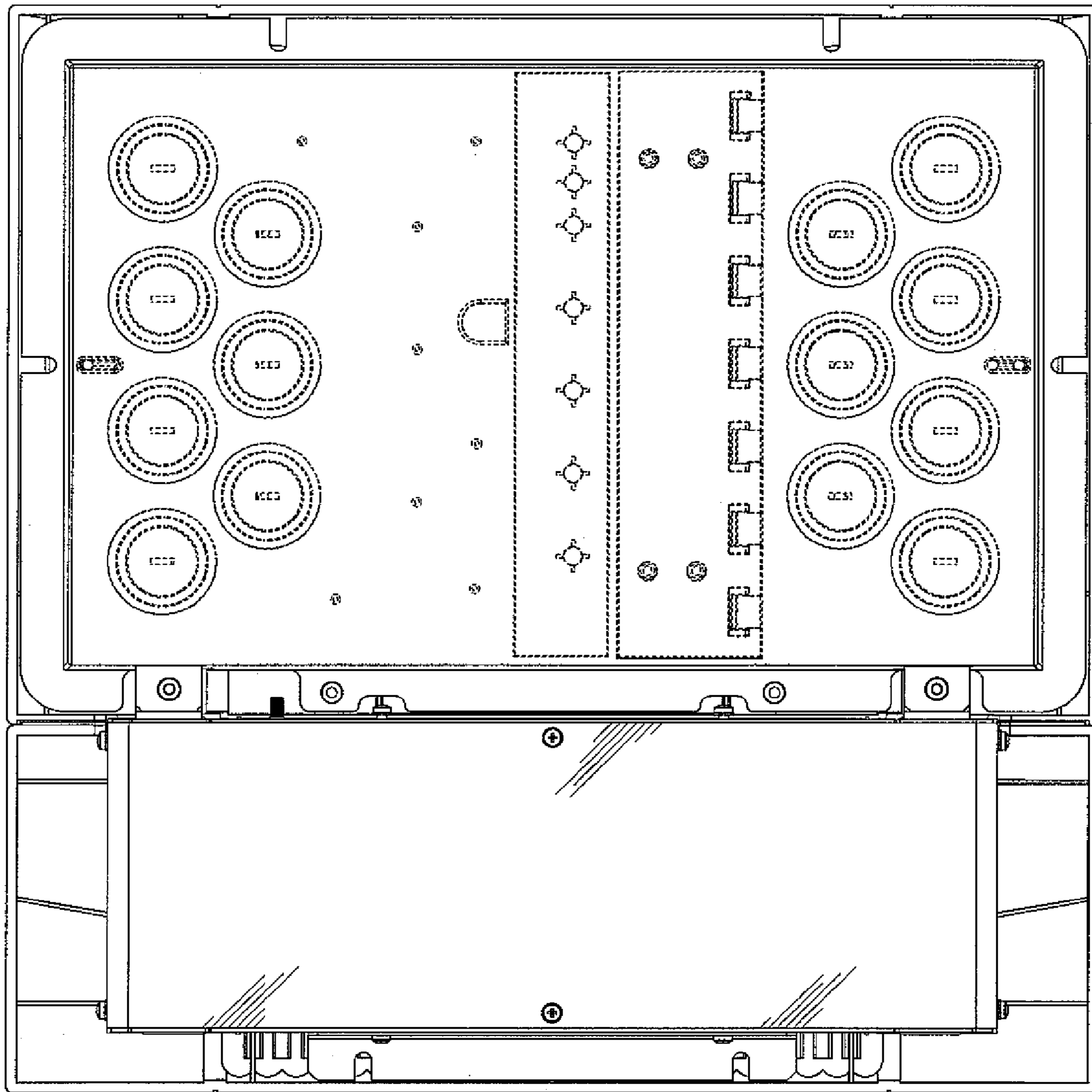


FIG. 3

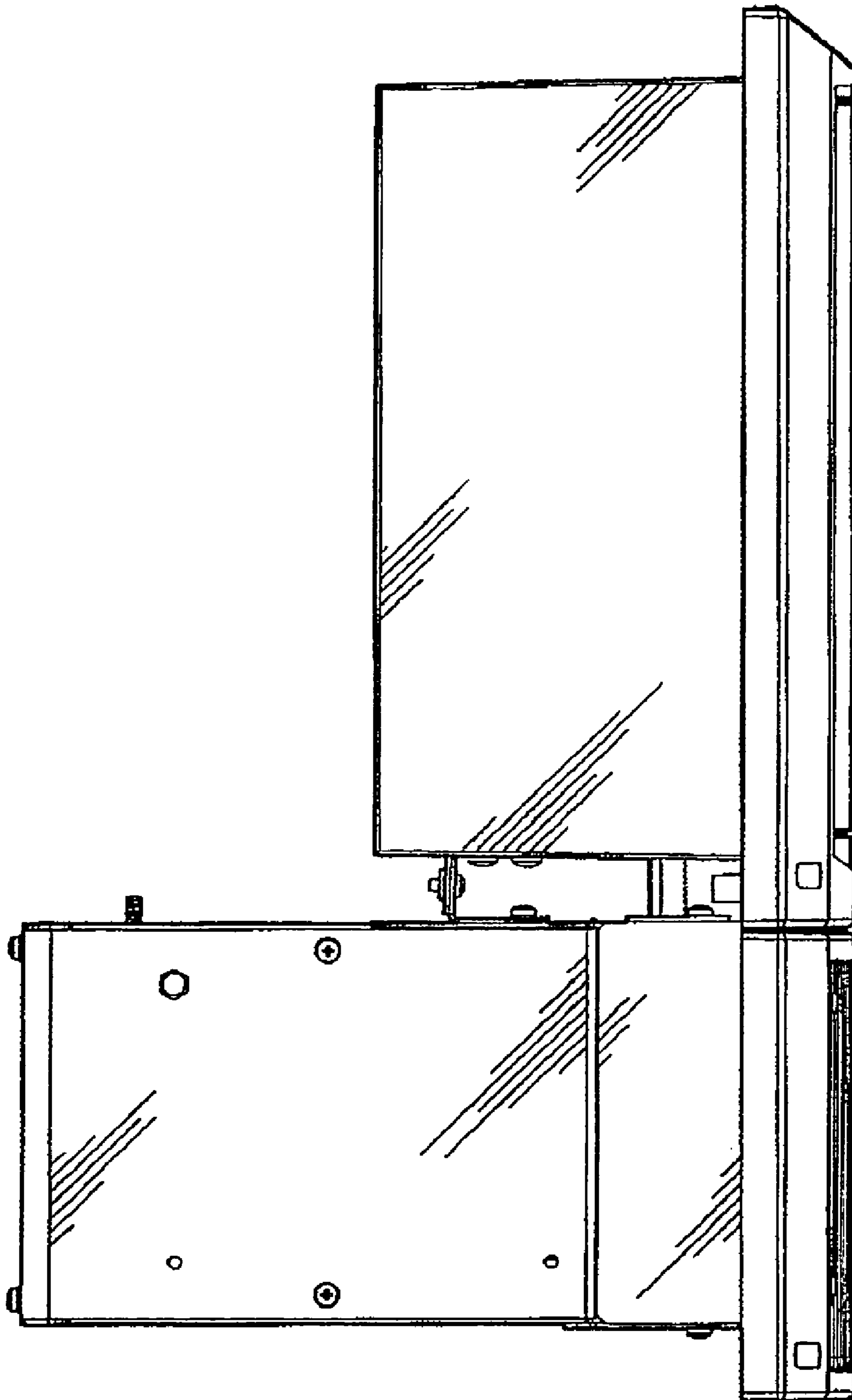


FIG. 4

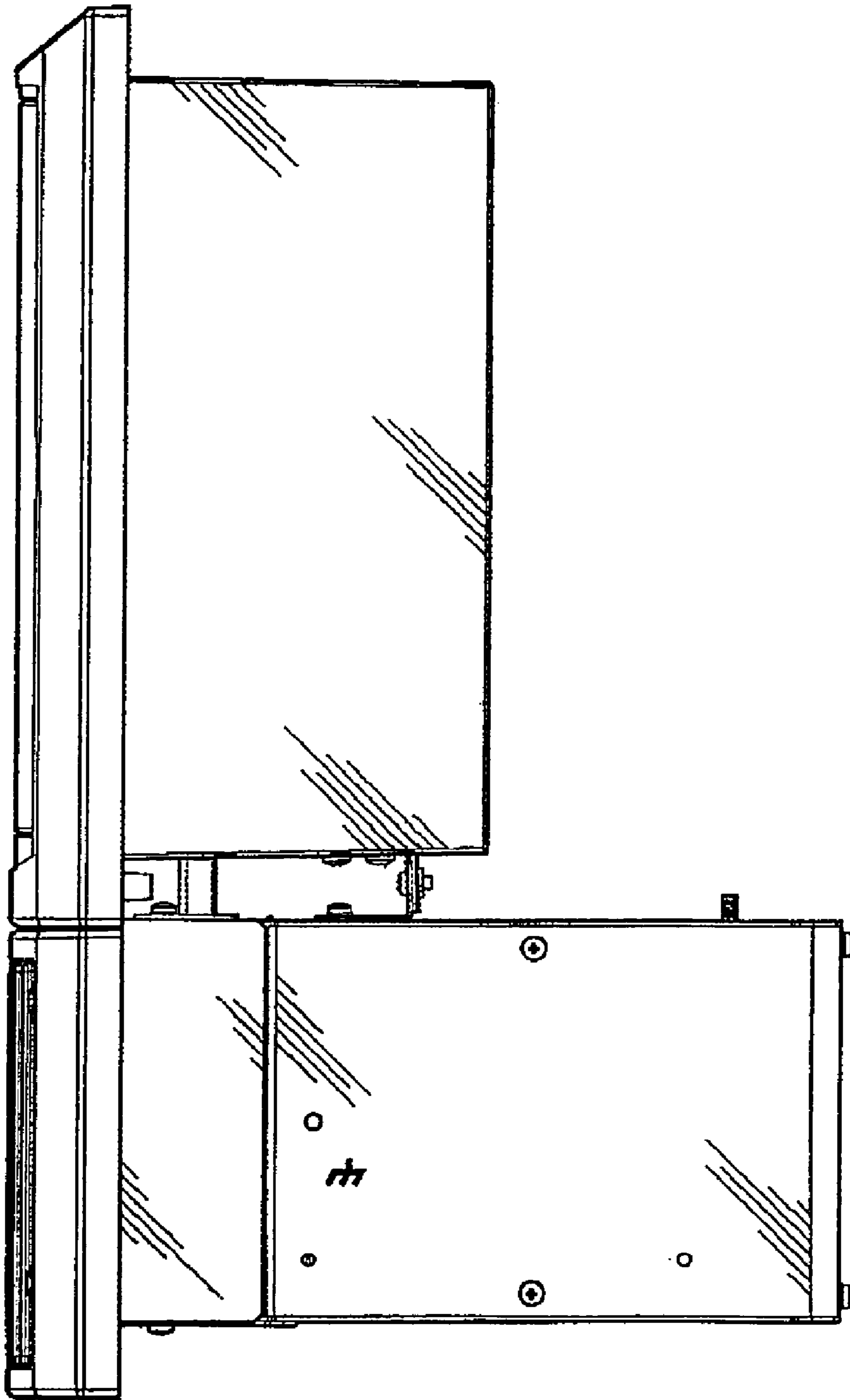


FIG. 5

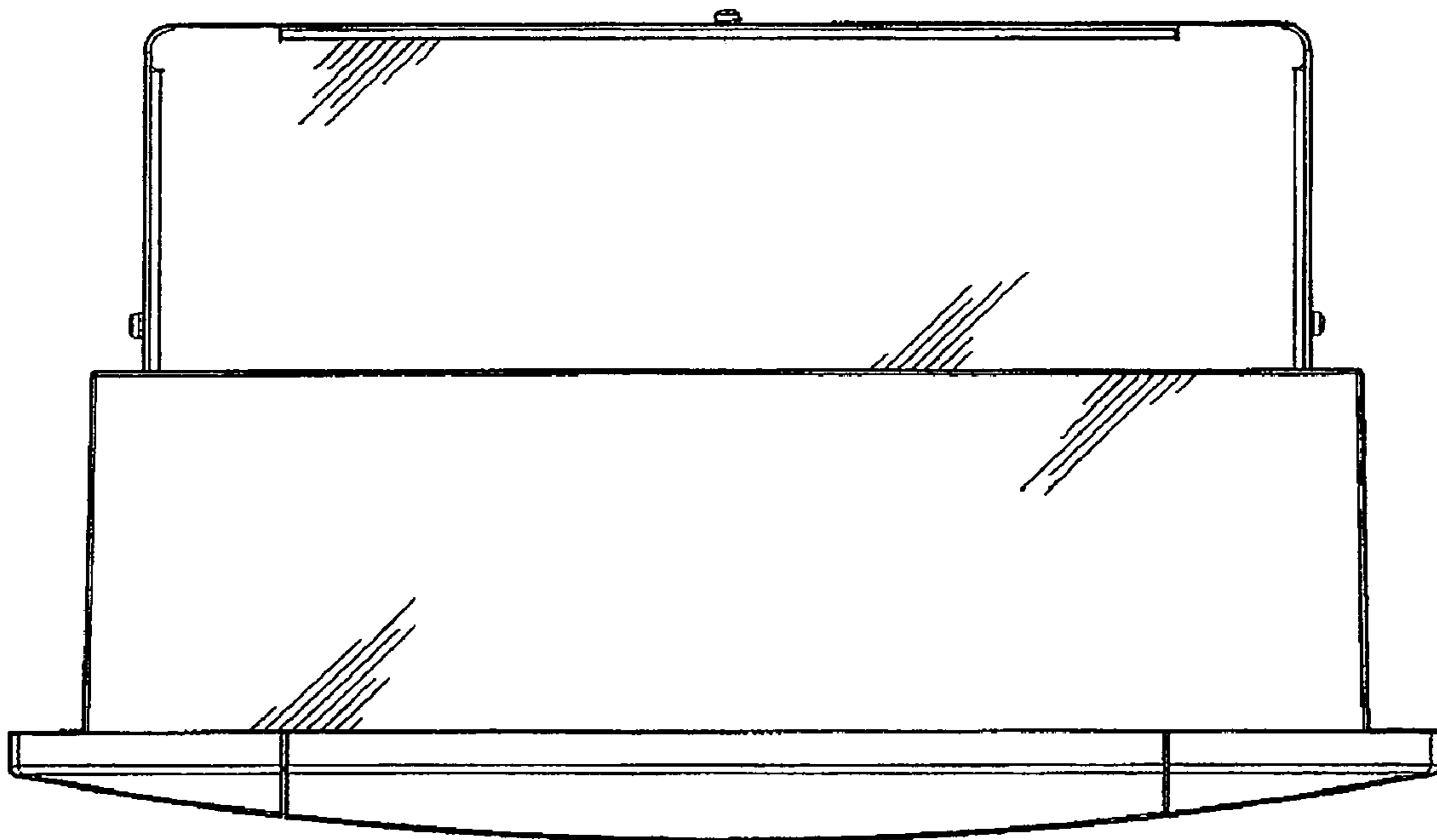


FIG. 6

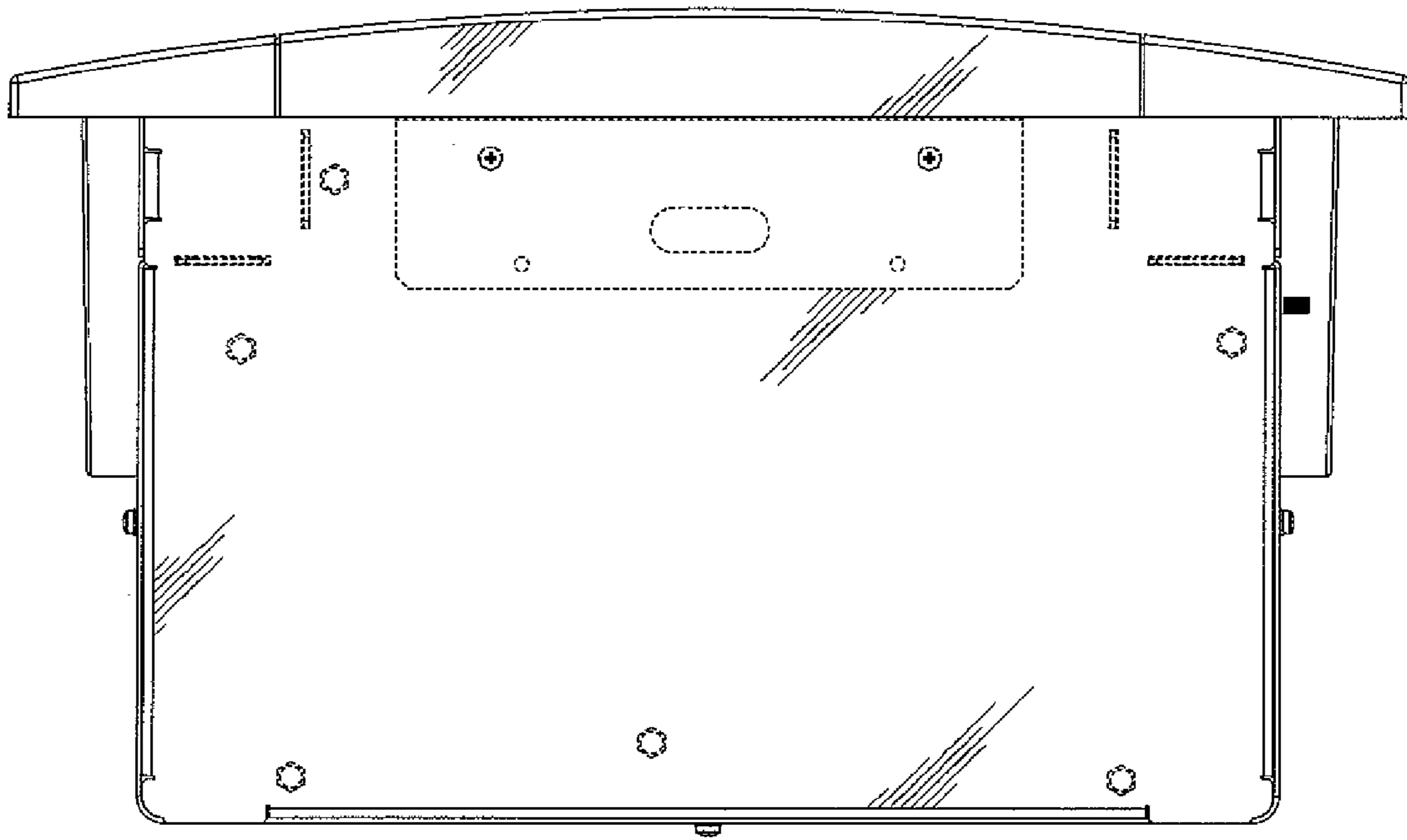


FIG. 7