



US00D570769S

(12) **United States Design Patent**
Holin

(10) **Patent No.:** **US D570,769 S**

(45) **Date of Patent:** **** Jun. 10, 2008**

(54) **SOLAR LIGHT**

D522,163 S * 5/2006 Begasse D26/71
D555,281 S * 11/2007 Quintana-Creus et al. ... D26/71

(76) Inventor: **Brad J. Holin**, 6325 Humboldt Ave.,
Minneapolis, MN (US) 55423

* cited by examiner

(**) Term: **14 Years**

Primary Examiner—Clare E Heflin
(74) *Attorney, Agent, or Firm*—Richard John Bartz

(21) Appl. No.: **29/285,490**

(57) **CLAIM**

(22) Filed: **Apr. 2, 2007**

The ornamental design for a solar light, as shown and described.

(51) **LOC (8) Cl.** **13-02**

(52) **U.S. Cl.** **D13/102; D26/71**

(58) **Field of Classification Search** D26/67-71,
D26/113; D13/102; 362/147, 152, 183,
362/431

DESCRIPTION

See application file for complete search history.

FIG. 1 is a side elevation view of the solar light showing my new design;

FIG. 2 is a front elevational view thereof;

FIG. 3 is a top plan view thereof;

FIG. 4 is a side elevational view of the right side thereof;

FIG. 5 is a side elevational view of the left side thereof;

FIG. 6 is a bottom plan view thereof; and,

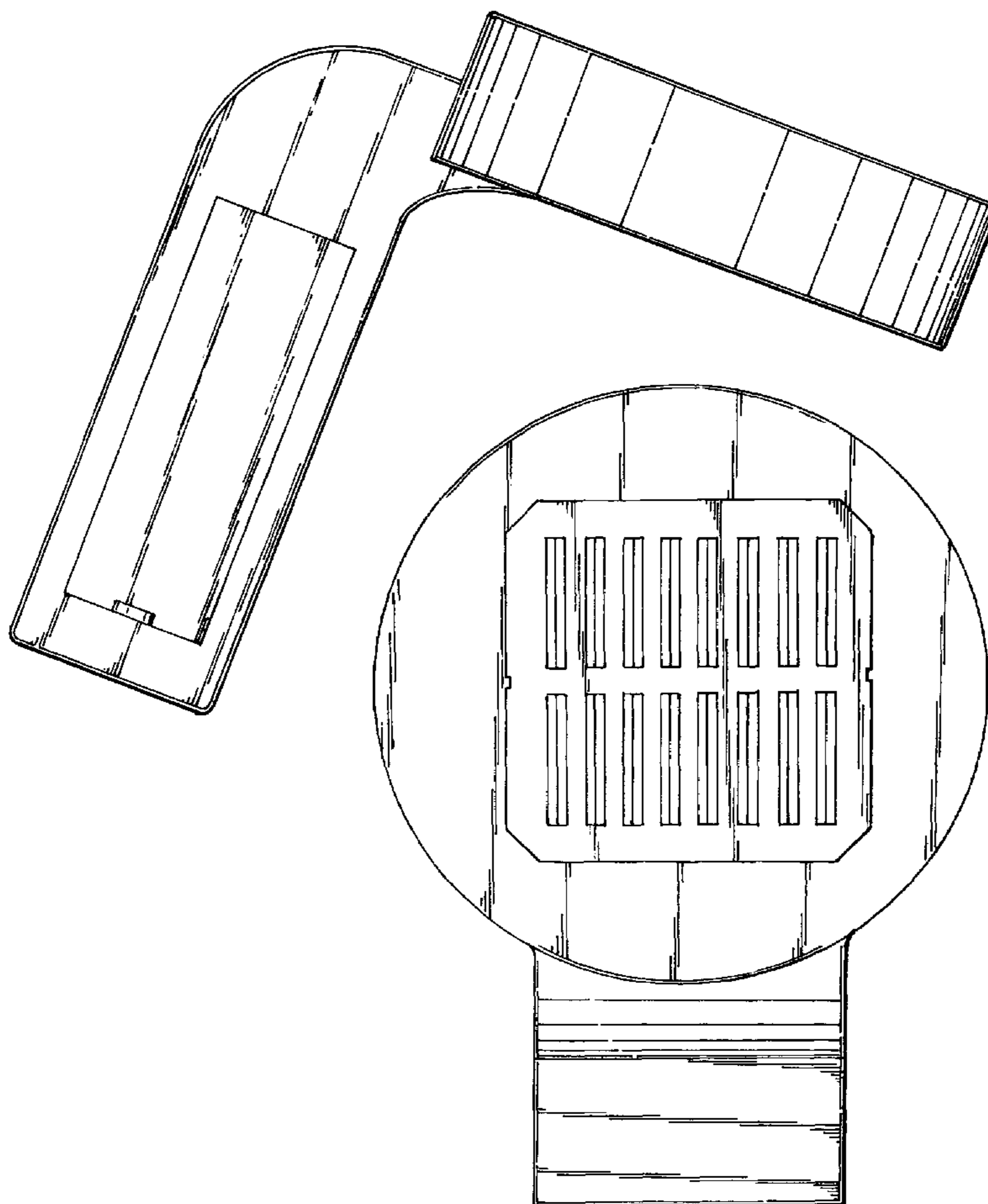
FIG. 7 is a rear elevation view thereof.

(56) **References Cited**

U.S. PATENT DOCUMENTS

D231,680 S * 5/1974 Keller D26/68
4,639,843 A * 1/1987 Compton 362/431
D288,593 S * 3/1987 Campbell D13/102
4,999,060 A * 3/1991 Szekely et al. 362/183
D422,735 S * 4/2000 Lam D26/68
D494,536 S * 8/2004 Pu D13/102

1 Claim, 7 Drawing Sheets



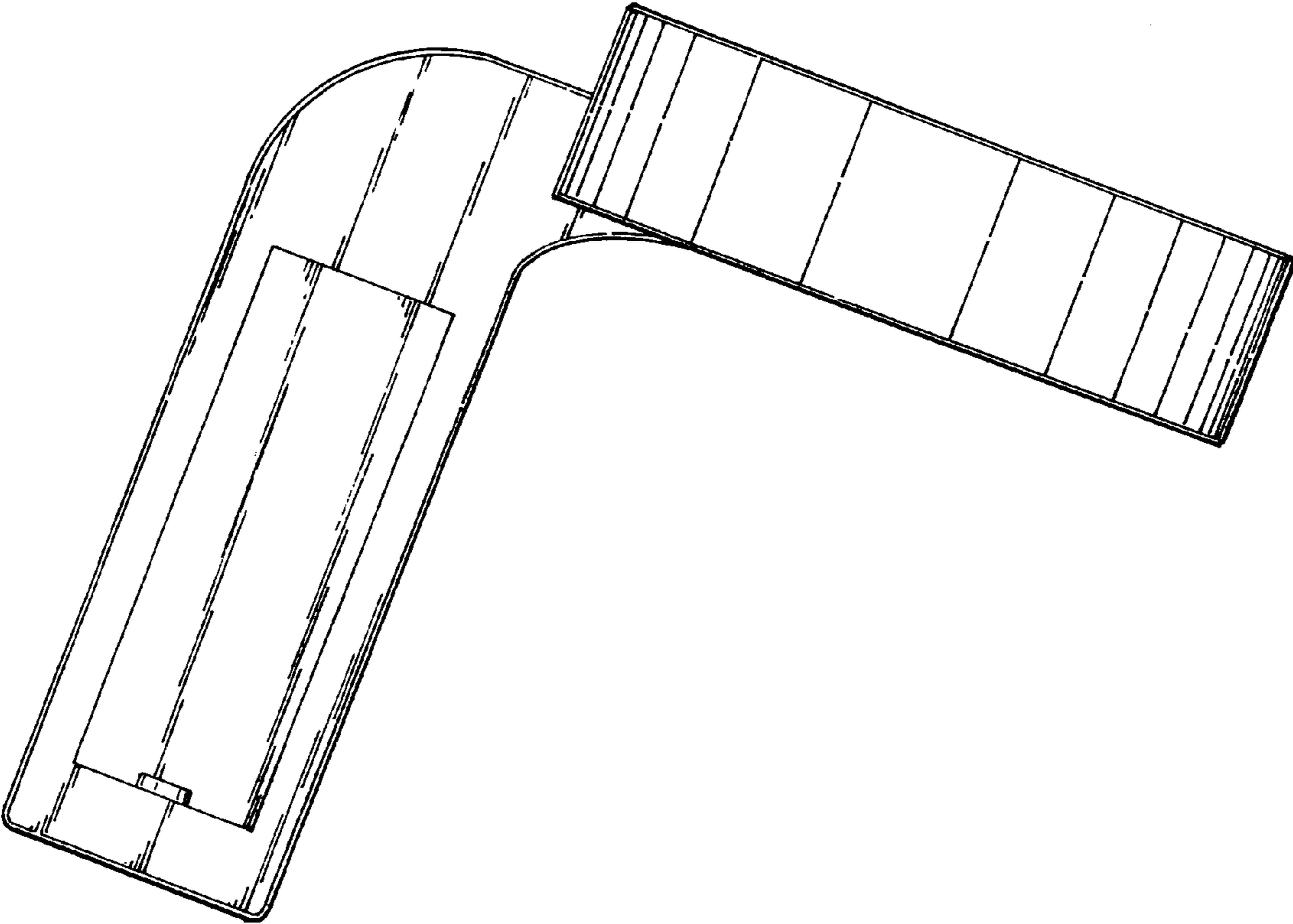


FIG. 1

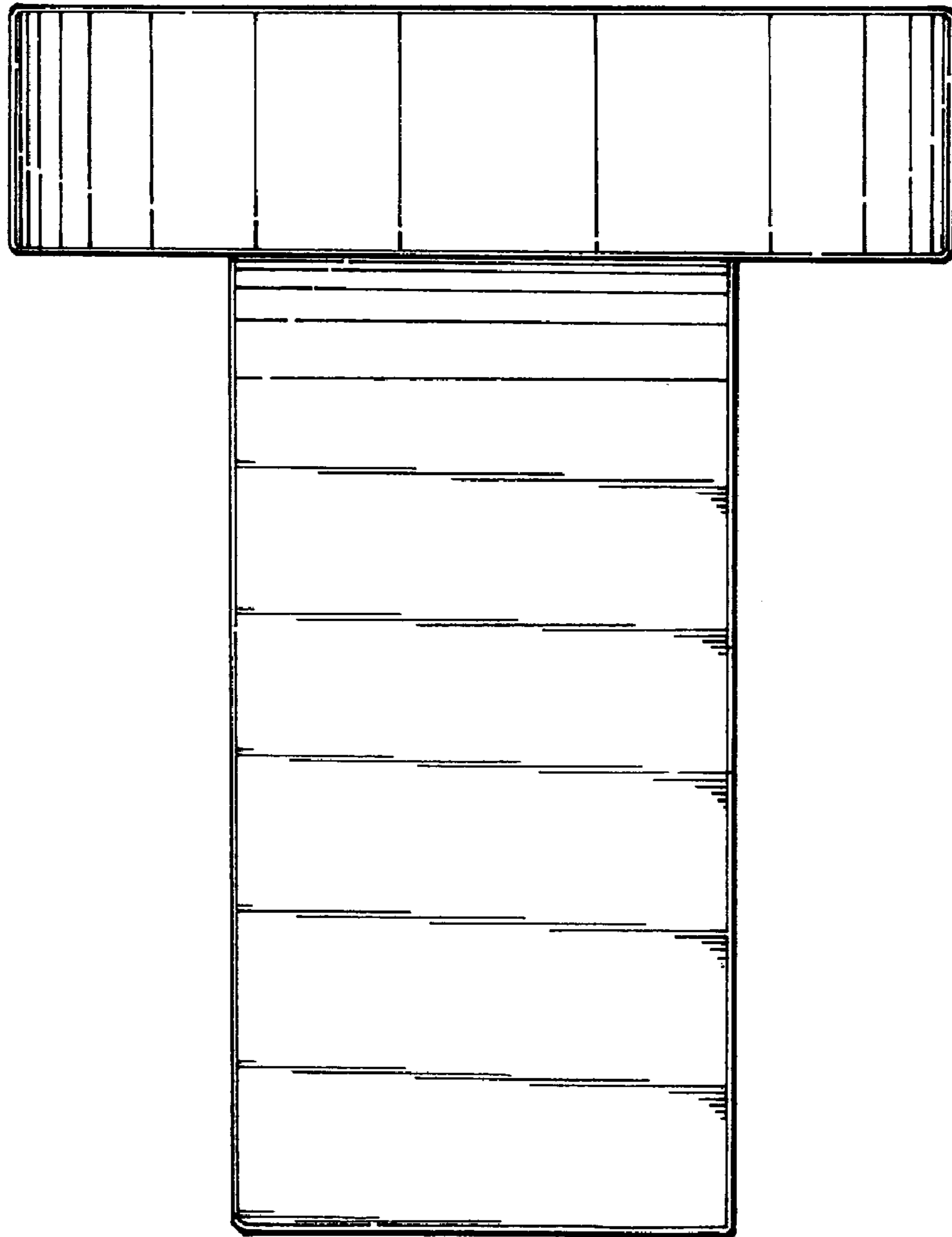


FIG. 2

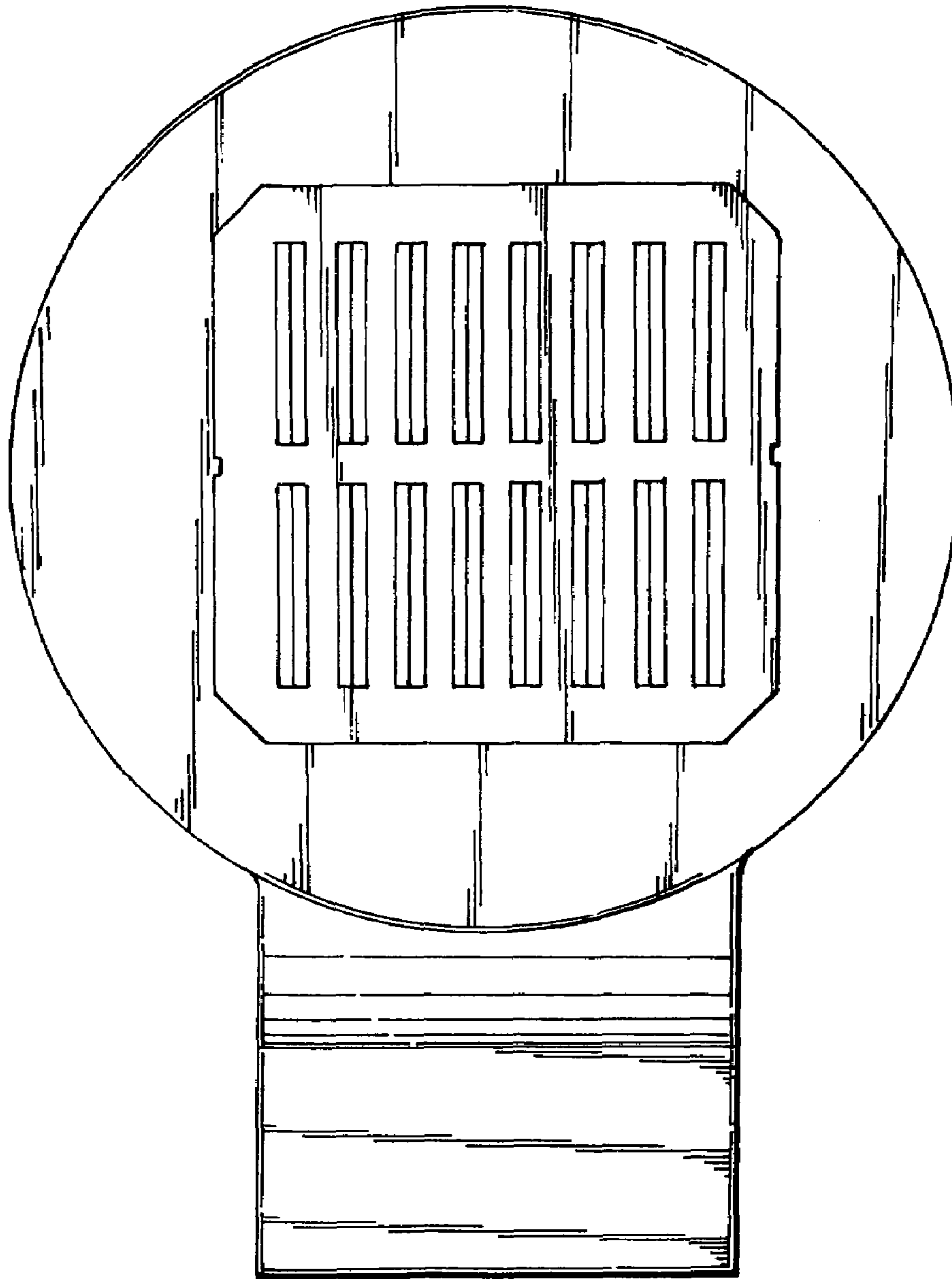


FIG. 3

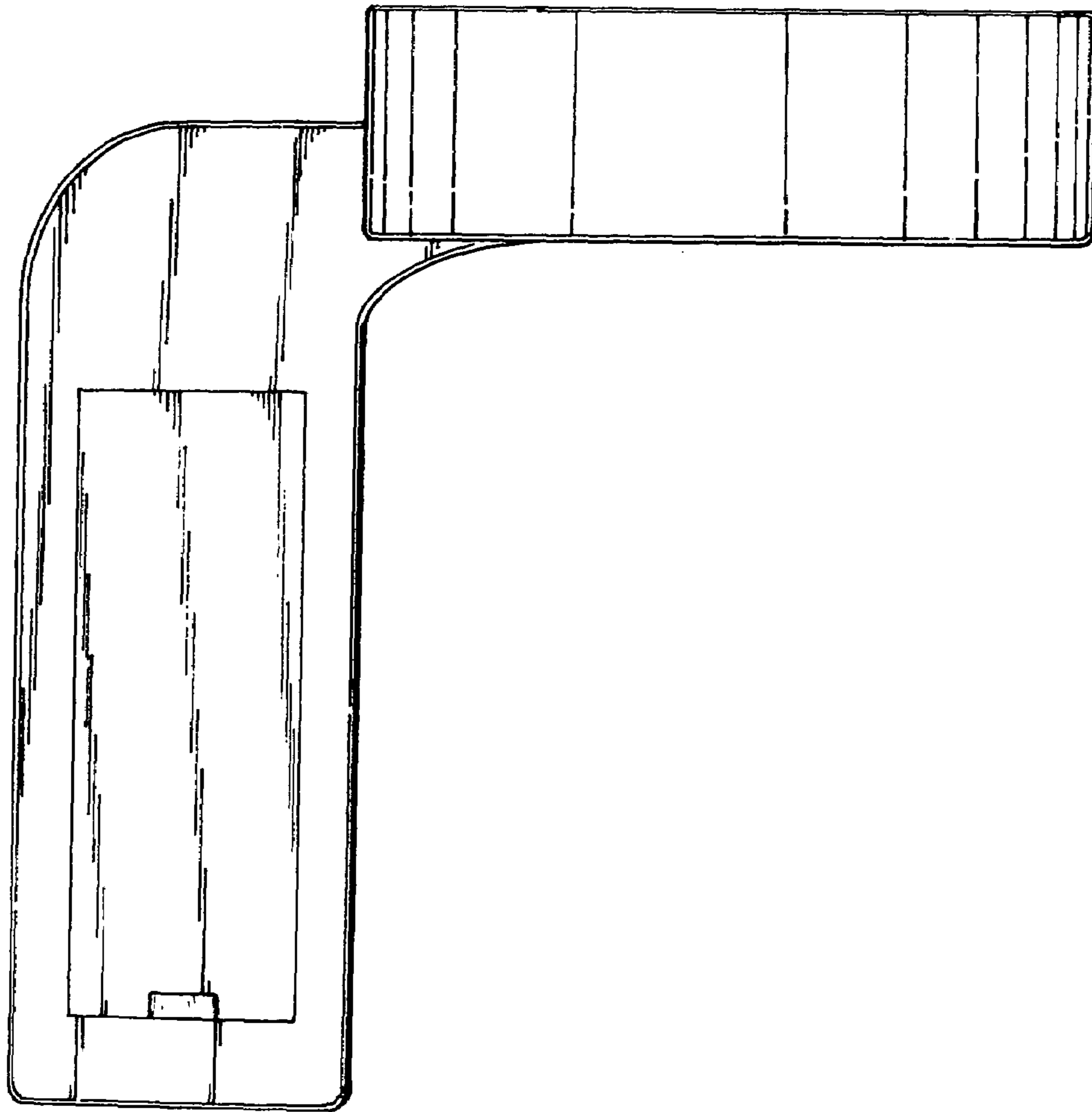


FIG. 4

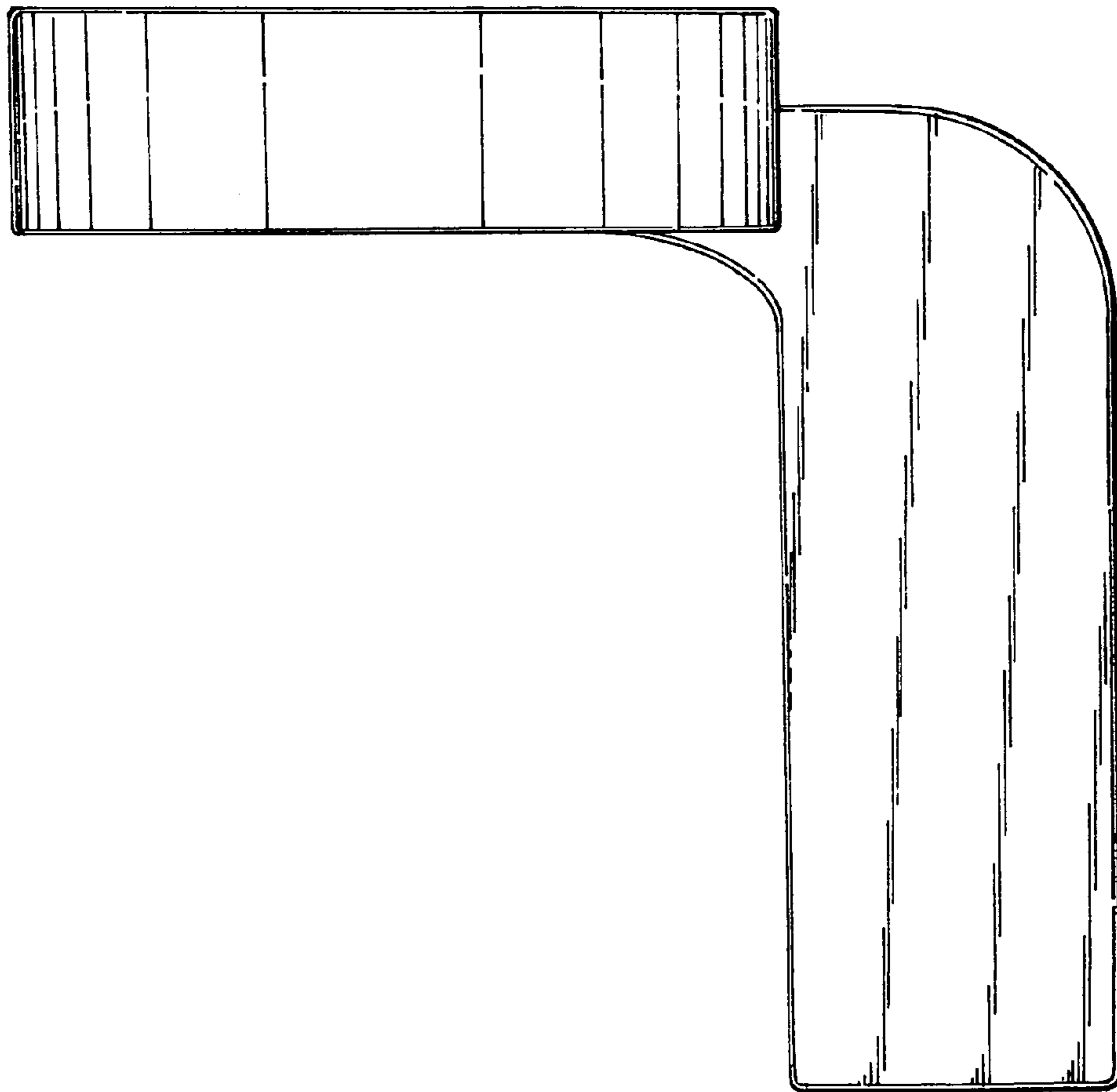


FIG. 5

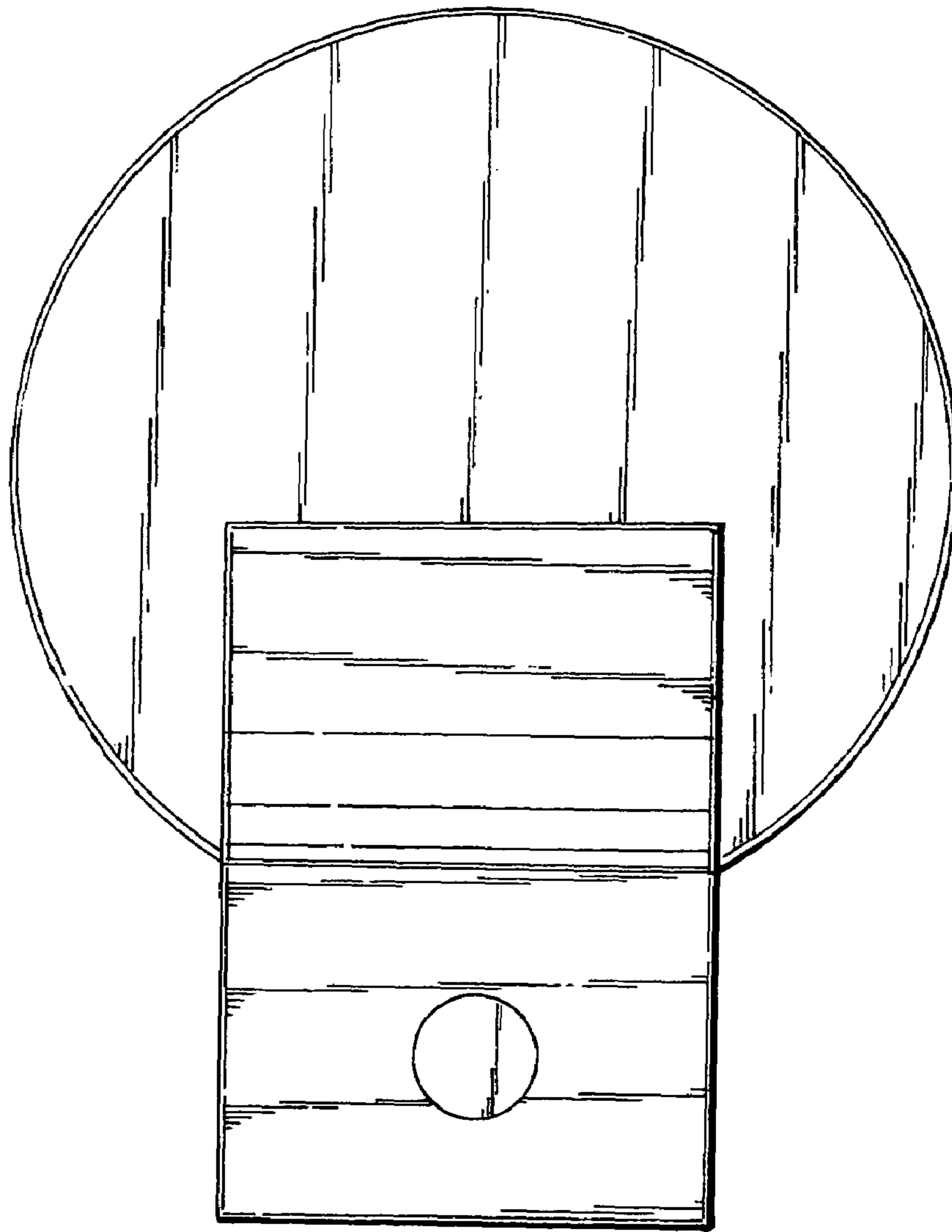


FIG. 6

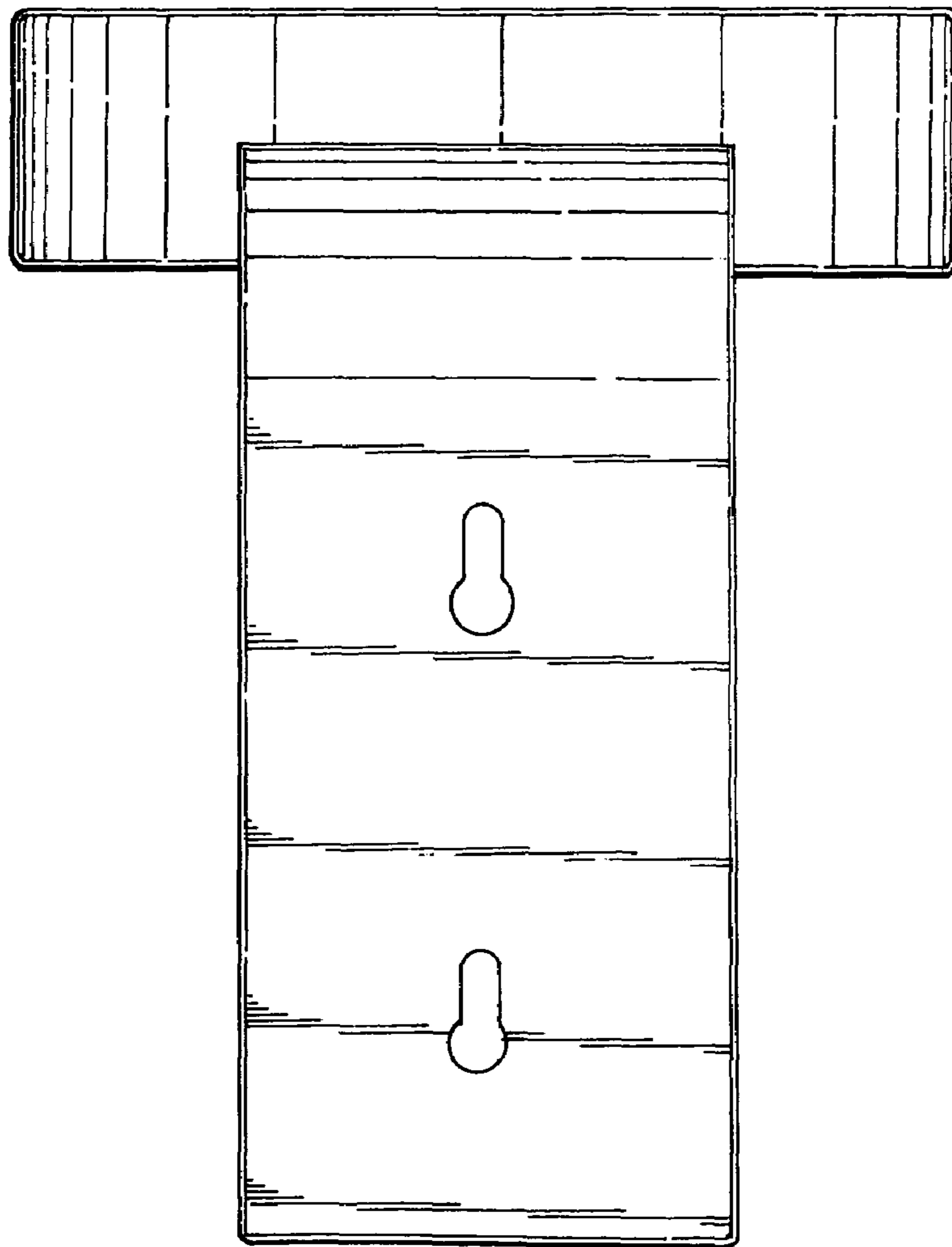


FIG. 7