

US00D570765S

(12) **United States Design Patent**
Trusty et al.

(10) **Patent No.:** **US D570,765 S**
(45) **Date of Patent:** **** Jun. 10, 2008**

(54) **SLIDING LADDER AND EQUIPMENT RACK**

(76) Inventors: **Jason Trusty**, 1426 W. Highland Ave.,
Chicago, IL (US) 60660; **Eric Trusty**,
1426 W. Highland Ave., Chicago, IL
(US) 60660

(**) Term: **14 Years**

(21) Appl. No.: **29/241,701**

(22) Filed: **Oct. 31, 2005**

(51) **LOC (8) Cl.** **12-16**

(52) **U.S. Cl.** **D12/414**

(58) **Field of Classification Search** D12/406,
D12/412, 414, 414.1; 296/3, 37.1, 37.6,
296/37.8; 414/462, 546; 280/727, 756;
248/340, 316.4; 108/44; 211/64, 13; 410/101-106,
410/120; 182/92, 127; 224/402-405, 570,
224/309-310, 316, 321-329, 546, 552-553,
224/561

See application file for complete search history.

(56) **References Cited**

U.S. PATENT DOCUMENTS

2,840,288 A	6/1958	Broddon	224/42.1
2,998,885 A	9/1961	Surface	211/64
3,888,398 A	6/1975	Payne	224/42.1
3,904,094 A	9/1975	Correll	224/42.1
4,413,801 A	11/1983	Lancaster et al.	248/316 A
D300,813 S *	4/1989	Kamaya	D12/412
4,923,103 A	5/1990	Sauber	224/42.45 R
5,172,952 A	12/1992	Lasnetski	296/37.8
5,242,094 A	9/1993	Finley	224/324
D344,481 S *	2/1994	Ryan	D12/412
D346,355 S *	4/1994	Weger, Jr. et al.	D12/412
D346,994 S *	5/1994	Weger, Jr. et al.	D12/223

5,632,591 A	5/1997	Henriquez	414/462
D410,429 S *	6/1999	Derecktor	D12/406
D411,163 S *	6/1999	Bunter	D12/414
6,315,181 B1	11/2001	Bradley et al.	224/310
6,427,889 B1 *	8/2002	Levi	414/462
6,511,271 B1	1/2003	Saroka	410/120
6,688,428 B2 *	2/2004	Carroll, Jr.	182/92
6,764,268 B2 *	7/2004	Levi	414/462
D497,589 S *	10/2004	Elwell et al.	D12/414
6,854,627 B2 *	2/2005	Villarreal et al.	224/310
7,137,479 B2 *	11/2006	Ziaylek et al.	224/310
D537,771 S *	3/2007	Pflieger	D12/406
2005/0079036 A1	4/2005	Richter	414/462

* cited by examiner

Primary Examiner—Stacia Cadmus

(74) *Attorney, Agent, or Firm*—Welsh & Katz, Ltd.

(57) **CLAIM**

The ornamental design for a sliding ladder and equipment rack, as shown and described.

DESCRIPTION

FIG. 1 is a perspective view of the sliding ladder and equipment rack;

FIG. 2 is a rear elevational view thereof;

FIG. 3 is a front elevational view thereof;

FIG. 4 is a top view thereof;

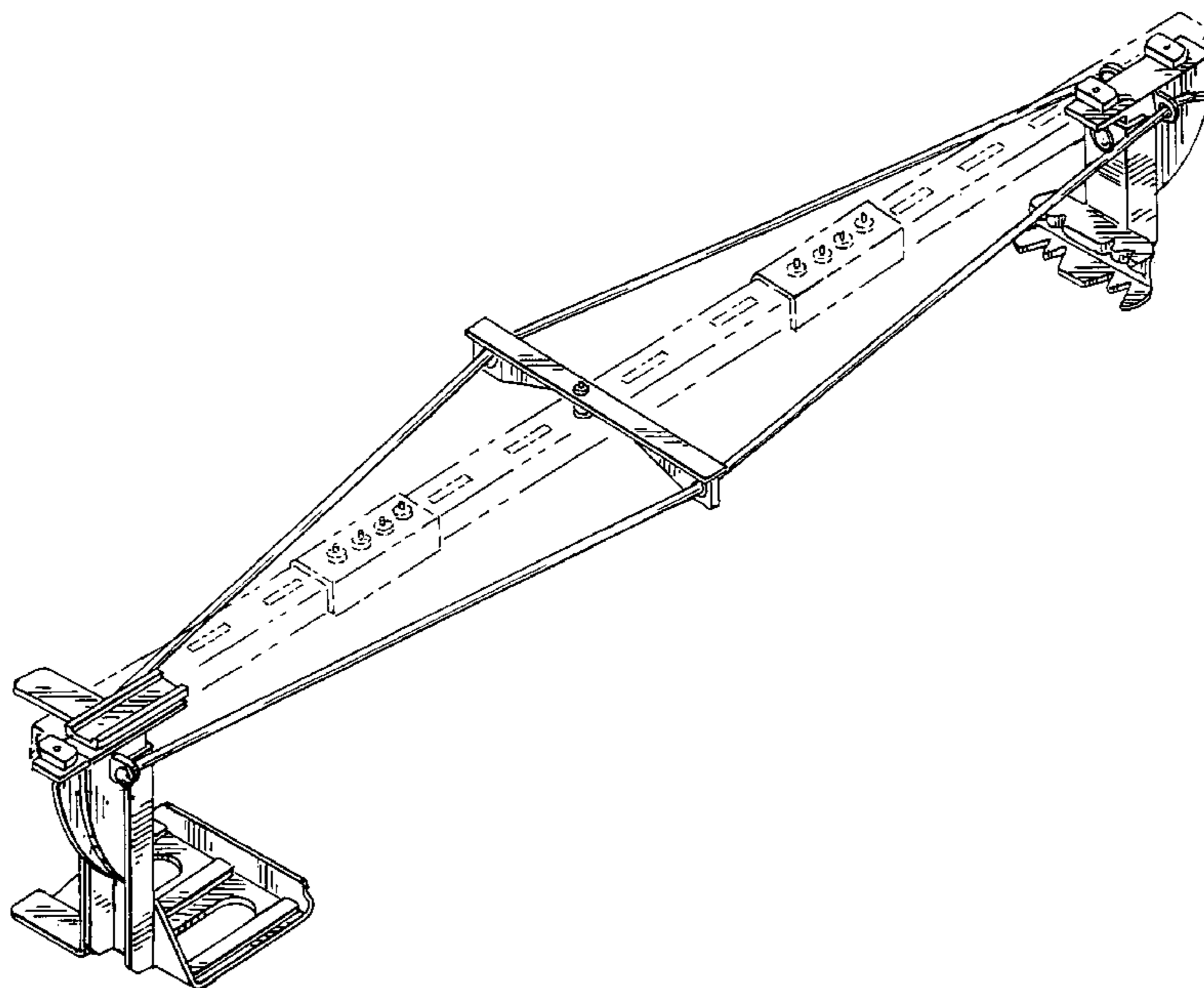
FIG. 5 is a right side elevational view thereof;

FIG. 6 is a left side elevational view thereof; and,

FIG. 7 is a bottom view thereof.

The phantom line showing the environment is for illustrative purposes only and forms no part of the claimed design.

1 Claim, 3 Drawing Sheets



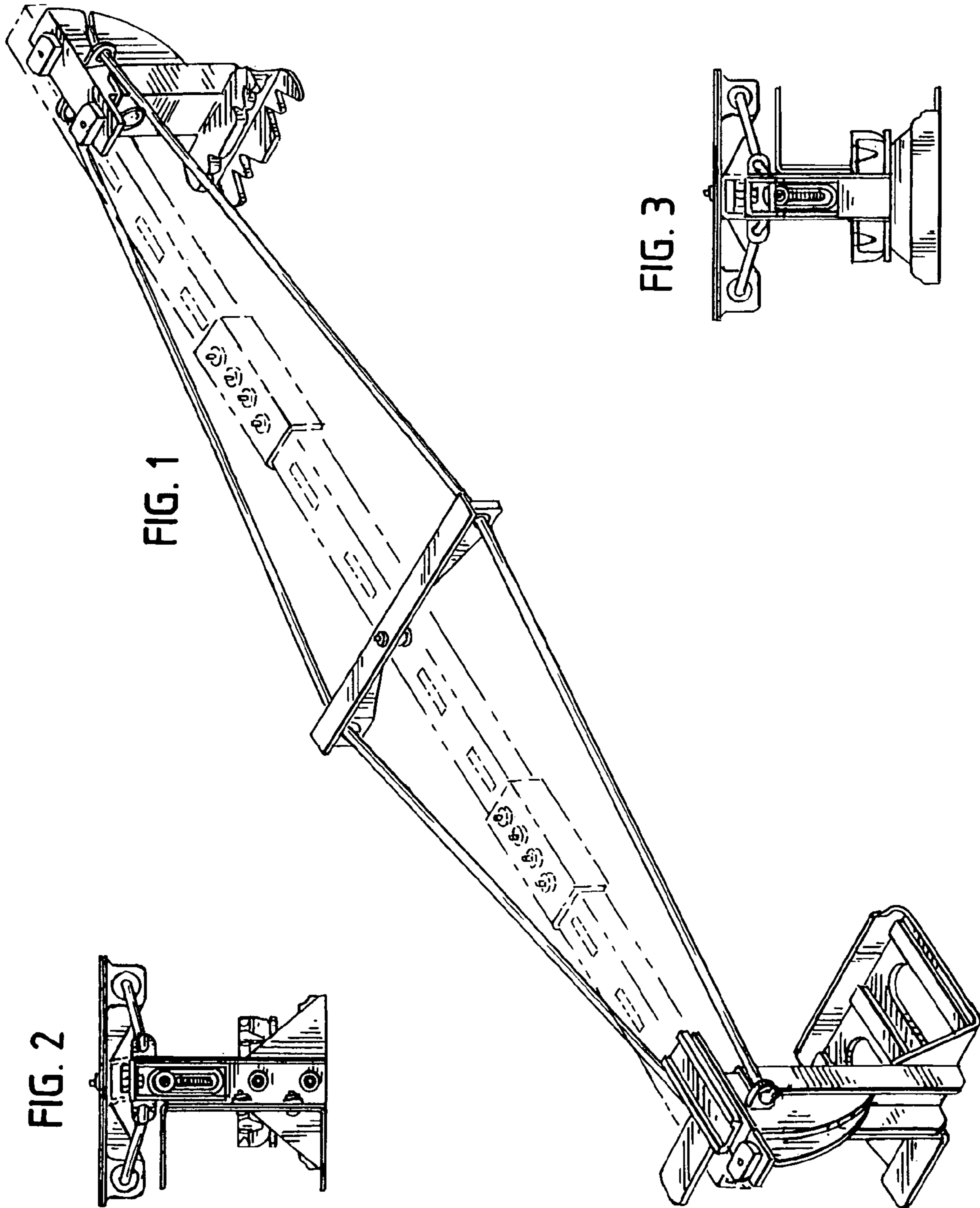


FIG. 4

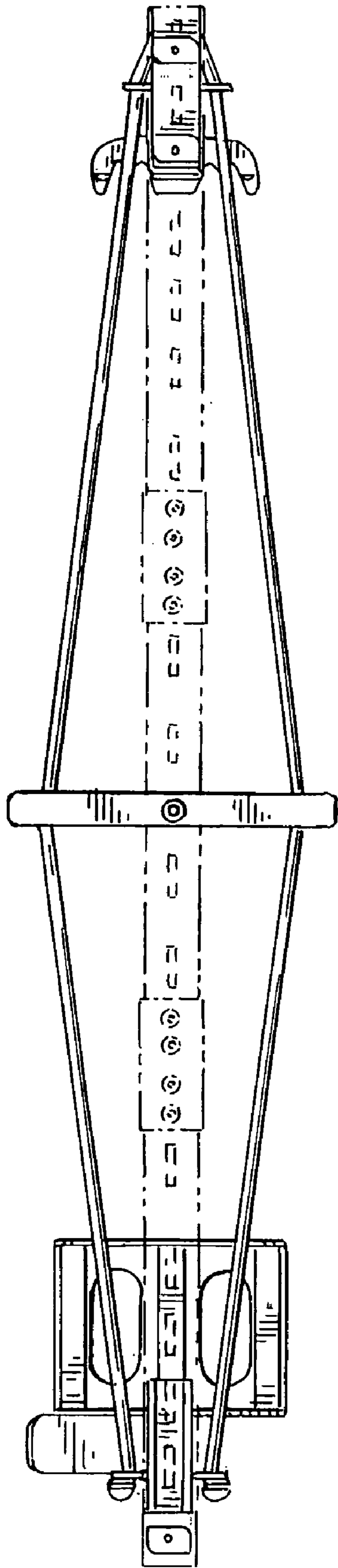


FIG. 5

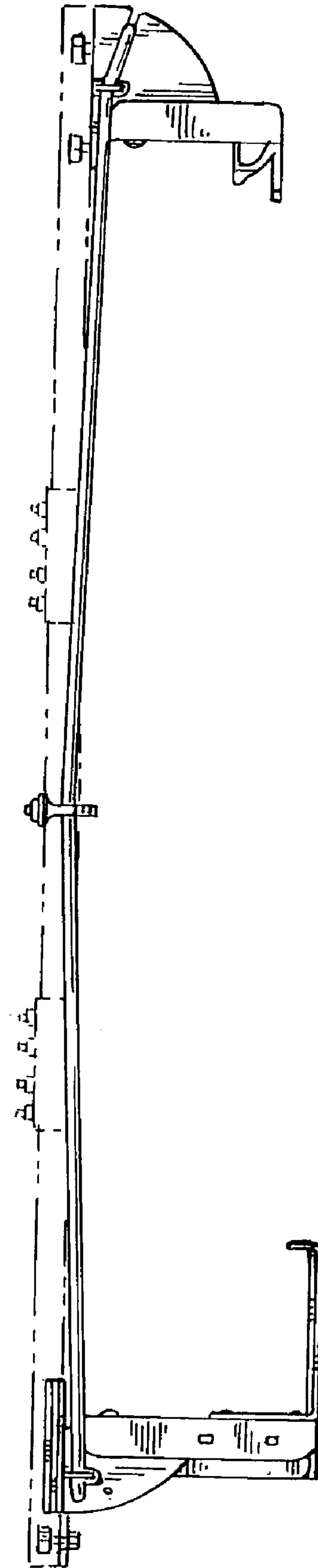


FIG. 6

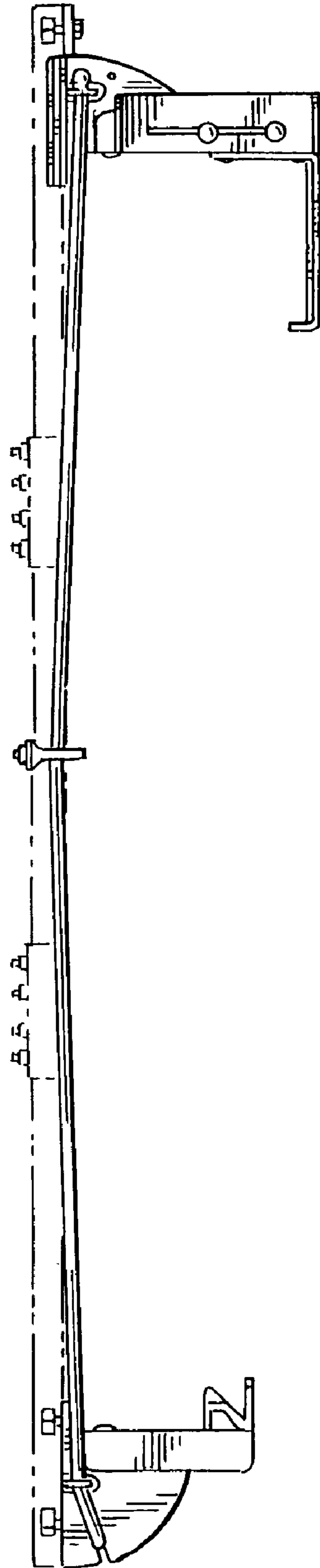


FIG. 7

