



US00D570763S

(12) **United States Design Patent**  
**Ozga**

(10) **Patent No.:** **US D570,763 S**  
(45) **Date of Patent:** **\*\* Jun. 10, 2008**

(54) **BOAT**

(76) Inventor: **John S. Ozga**, 48560 Martz Rd.,  
Belleville, MI (US) 48111

(\*\*) Term: **14 Years**

(21) Appl. No.: **29/269,540**

(22) Filed: **Dec. 1, 2006**

(51) **LOC (8) Cl.** ..... **12-06**

(52) **U.S. Cl.** ..... **D12/300**

(58) **Field of Classification Search** ..... D12/300,  
D12/302-304, 310-313, 315, 317, 318, 400-405,  
D12/408-410; 114/39.11-39.15, 39.21-39.32,  
114/355-358

See application file for complete search history.

(56) **References Cited**

**U.S. PATENT DOCUMENTS**

D256,113 S *	7/1980	Fortier	.....	D12/318
D292,566 S *	11/1987	Racicot	.....	D12/403
5,829,376 A *	11/1998	Kostanski	.....	114/61.1
D455,994 S *	4/2002	Syfritt	.....	D12/300
D520,441 S *	5/2006	Guvenc et al.	.....	D12/300

\* cited by examiner

*Primary Examiner*—Holly H. Baynham

*Assistant Examiner*—Cynthia M Chin

(74) *Attorney, Agent, or Firm*—Brinks Hofer Gilson & Lione

(57) **CLAIM**

The ornamental design for a boat, as shown and described.

**DESCRIPTION**

FIG. 1 is a front left, perspective view of a boat embodying the design of the present invention;

FIG. 2 is left side elevational view thereof, the right side elevational view being a mirror image thereto;

FIG. 3 is a top plan view thereof;

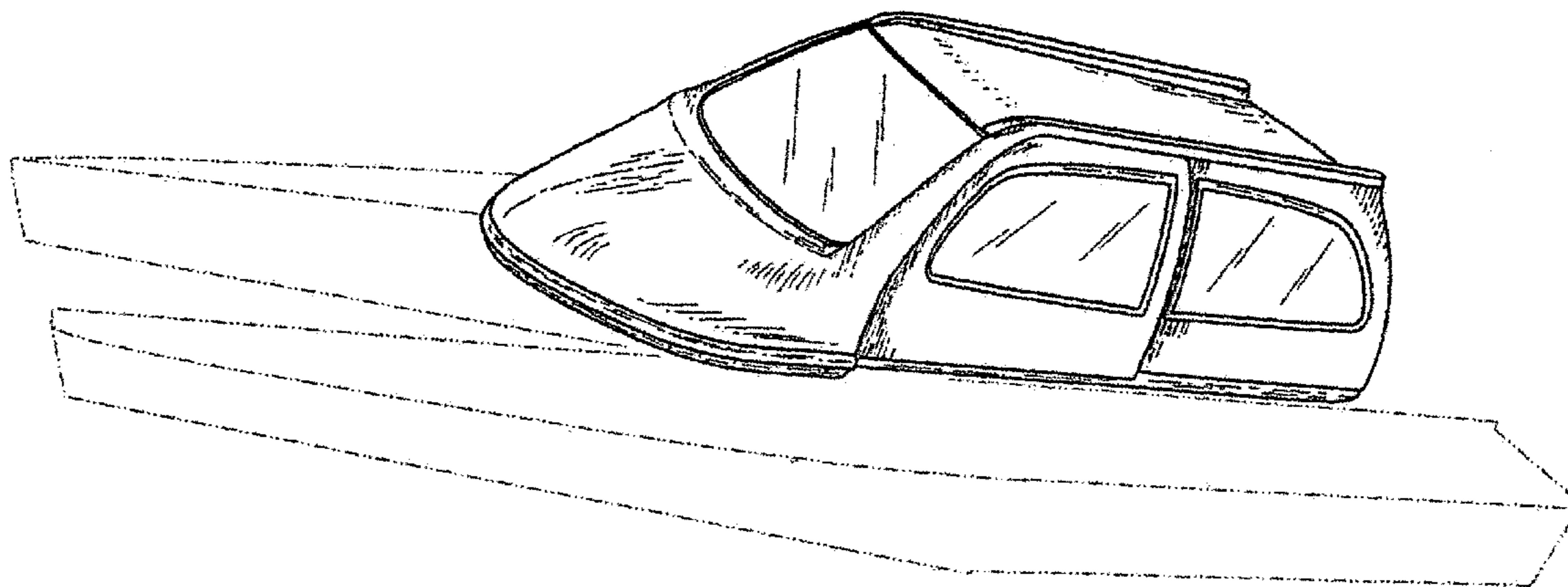
FIG. 4 is a front perspective view thereof;

FIG. 5 is rear perspective view thereof; and,

FIG. 6 is bottom plan view thereof showing the design of the present invention.

The portions of drawings shown in phantom in FIGS. 1-6 are for illustrative purposes only and form no part of the claimed design.

**1 Claim, 6 Drawing Sheets**



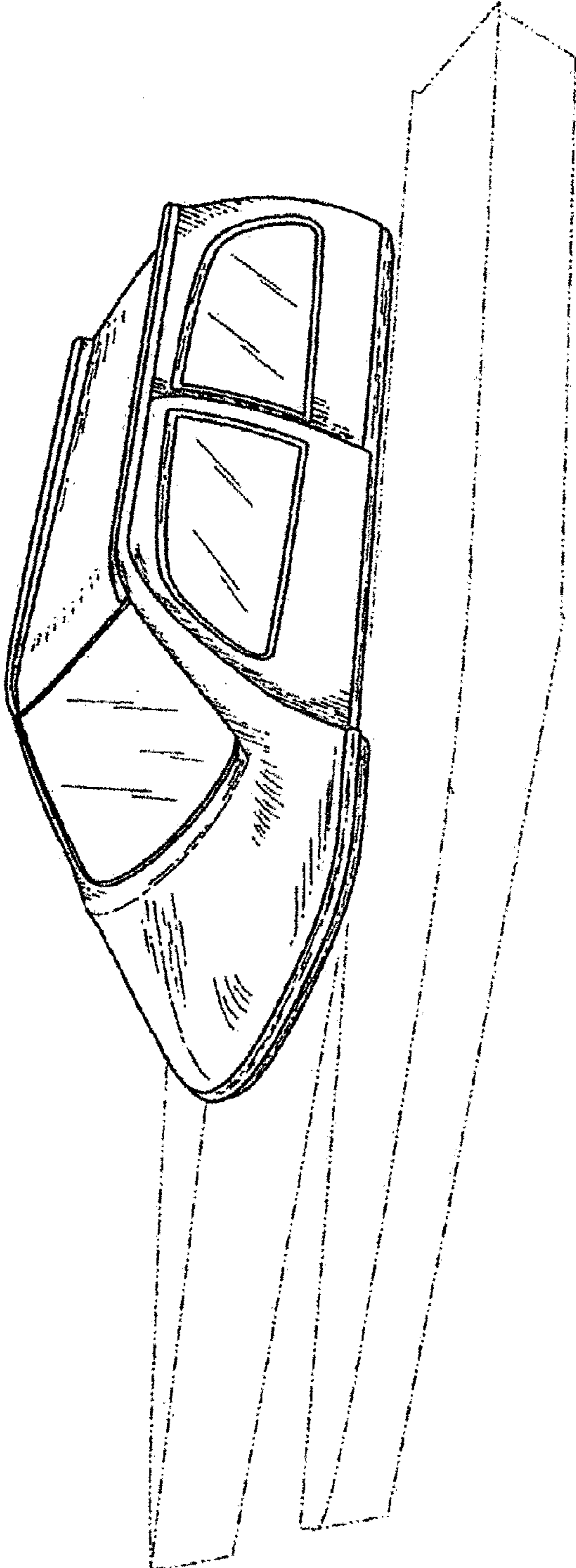


Figure 1

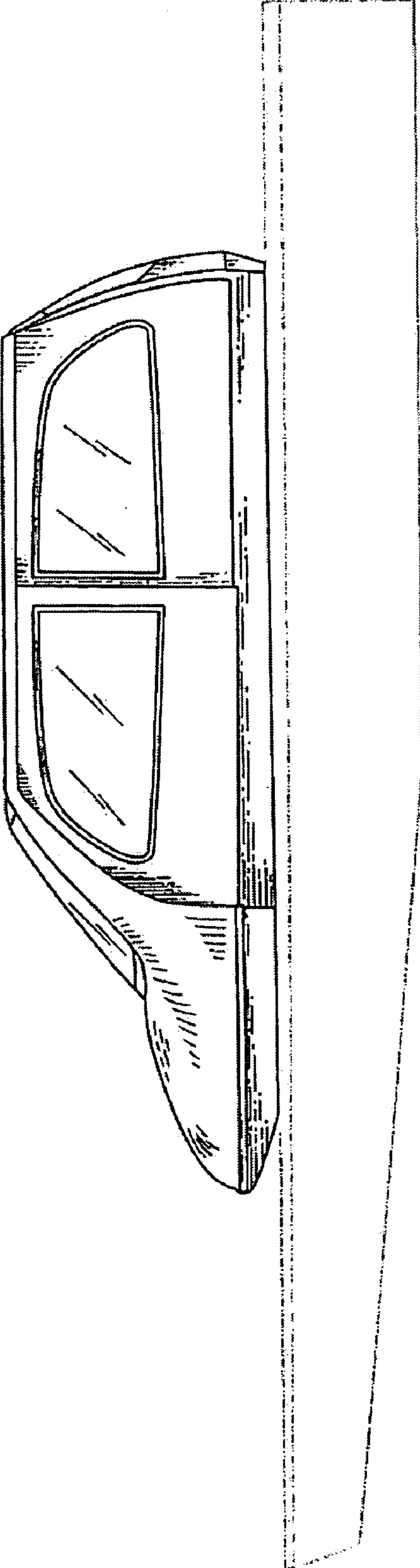


Figure 2

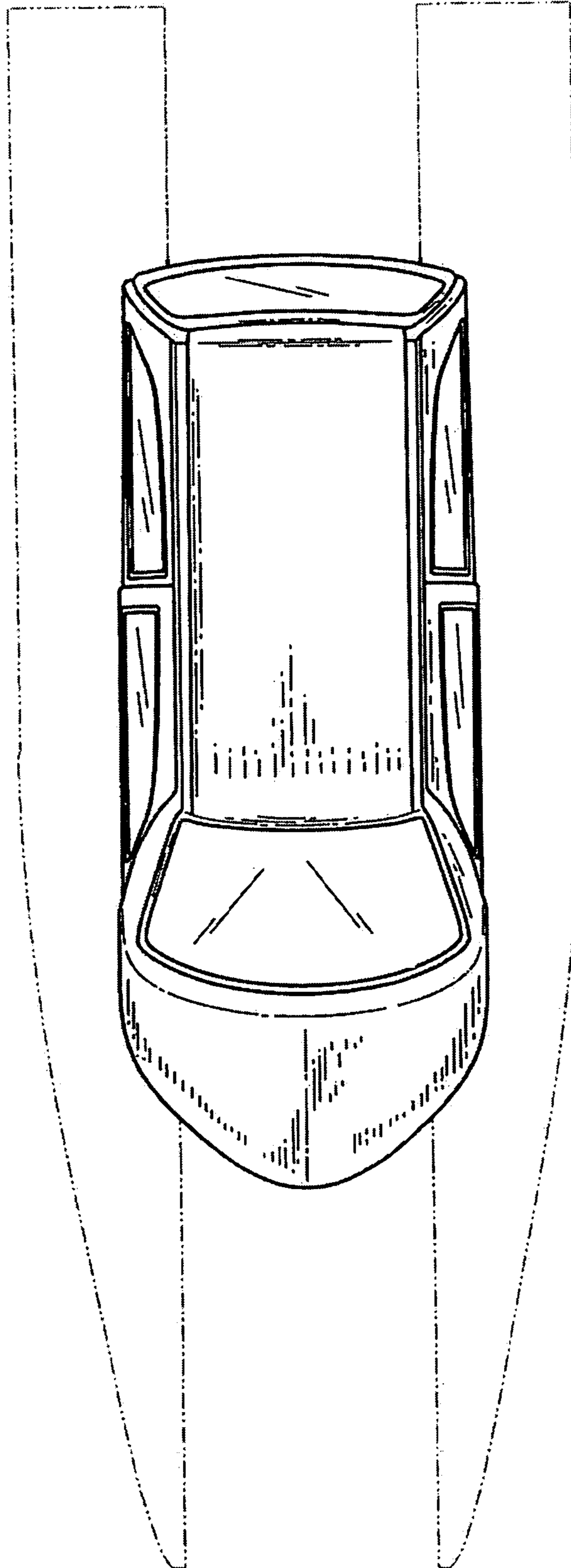


Figure 3

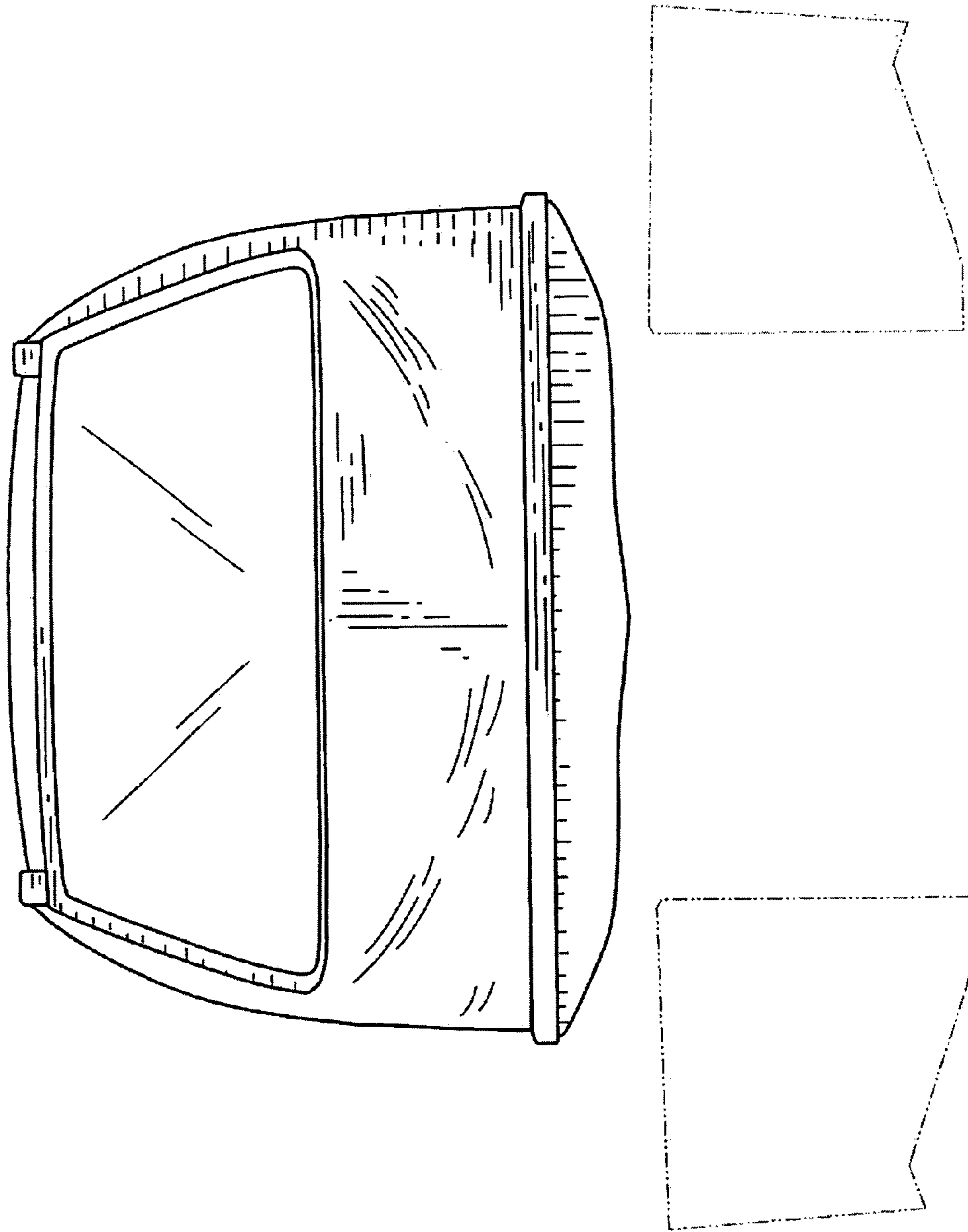


Figure 4



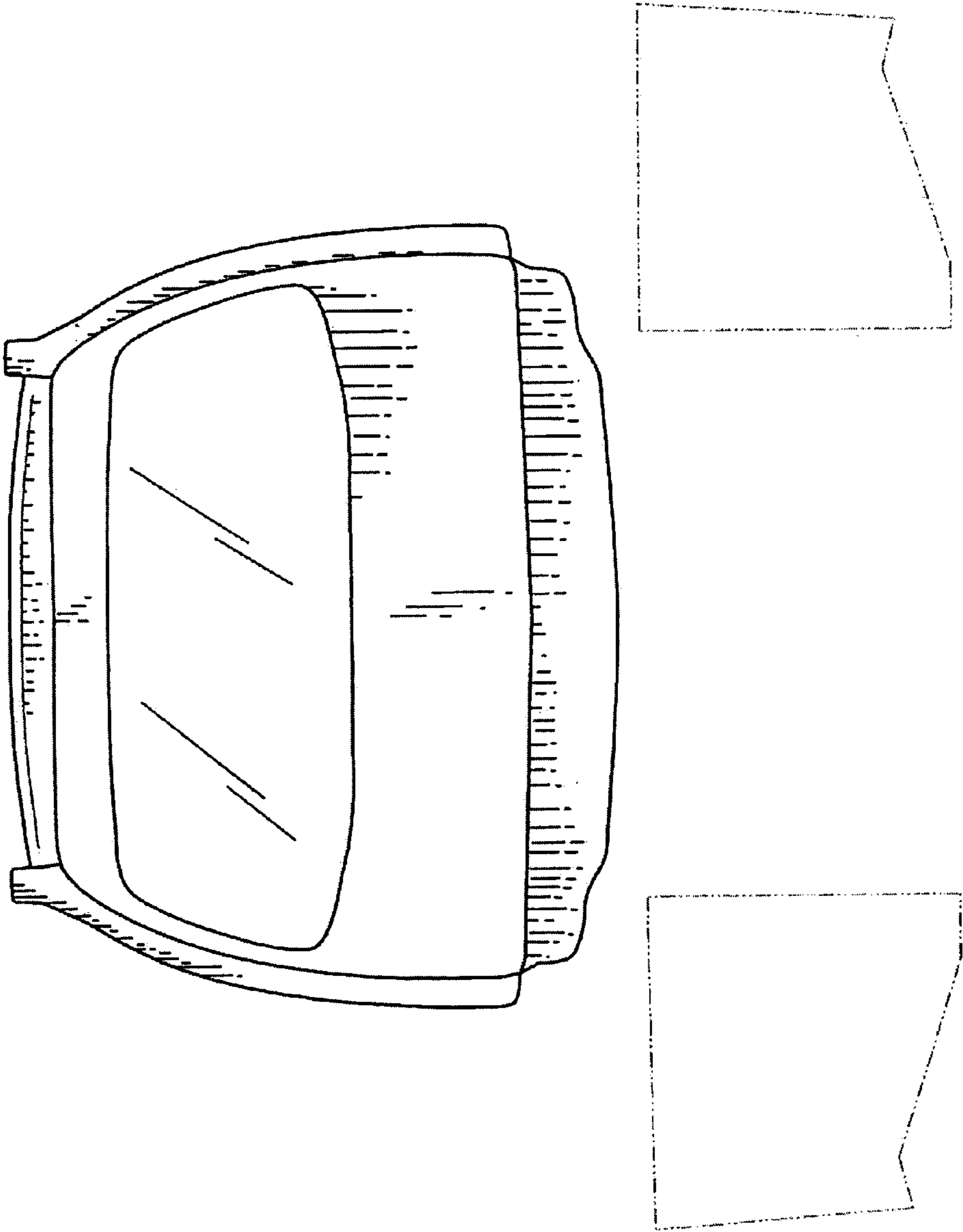


Figure 5

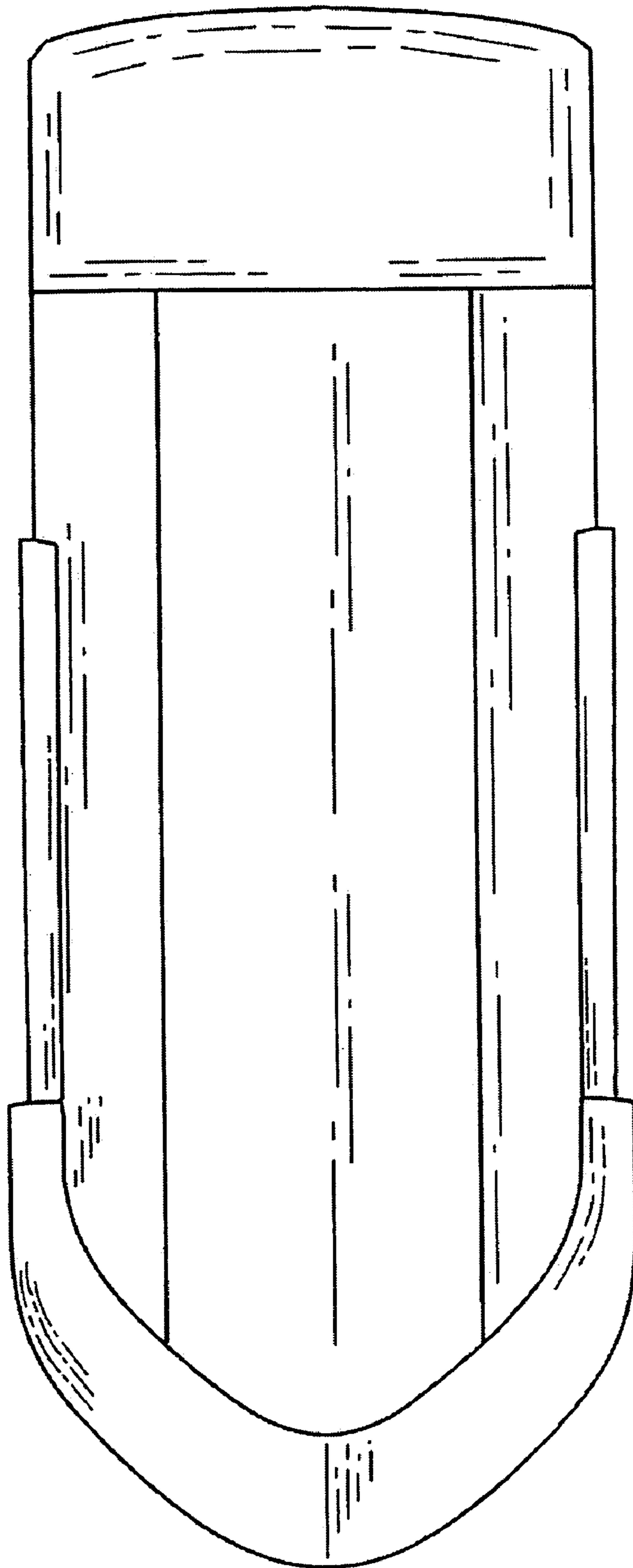


Figure 6