

US00D570762S

(12) **United States Design Patent**
Scheu

(10) **Patent No.:** **US D570,762 S**

(45) **Date of Patent:** **** Jun. 10, 2008**

(54) **FRONT FACE OF A VEHICLE WHEEL**

(75) Inventor: **Armin Scheu**, Stuttgart (DE)

(73) Assignee: **DaimlerChrysler AG**, Stuttgart (DE)

(**) Term: **14 Years**

(21) Appl. No.: **29/290,268**

(22) Filed: **Nov. 13, 2007**

(30) **Foreign Application Priority Data**

May 14, 2007 (EM) 000722004-0001

(51) **LOC (8) Cl.** **12-16**

(52) **U.S. Cl.** **D12/211**

(58) **Field of Classification Search** D12/204-213;
301/37.101, 64.101, 65, 64.201

See application file for complete search history.

(56) **References Cited**

U.S. PATENT DOCUMENTS

D465,186 S *	11/2002	Chung	D12/211
D484,085 S *	12/2003	Tirado	D12/211
D501,817 S *	2/2005	Pfeiffer	D12/211
D514,050 S *	1/2006	Scheu	D12/211
D526,265 S *	8/2006	Muzzarelli	D12/209
D527,327 S *	8/2006	Laengerer	D12/211

D530,259 S *	10/2006	Sands	D12/211
D538,729 S *	3/2007	Pfeiffer	D12/209
D540,732 S *	4/2007	Metros et al.	D12/211
D545,262 S *	6/2007	Southey	D12/211
D548,665 S *	8/2007	Sanschagrin et al.	D12/209
D551,146 S *	9/2007	Hueller	D12/209
D554,573 S *	11/2007	Pfeiffer	D12/211

* cited by examiner

Primary Examiner—Stacia Cadmus

(74) *Attorney, Agent, or Firm*—Crowell & Moring LLP

(57) **CLAIM**

The ornamental design for a front face of a vehicle wheel, as shown and described.

DESCRIPTION

FIG. 1 is a front view of a first embodiment of a front face of a vehicle wheel according to my novel design; and

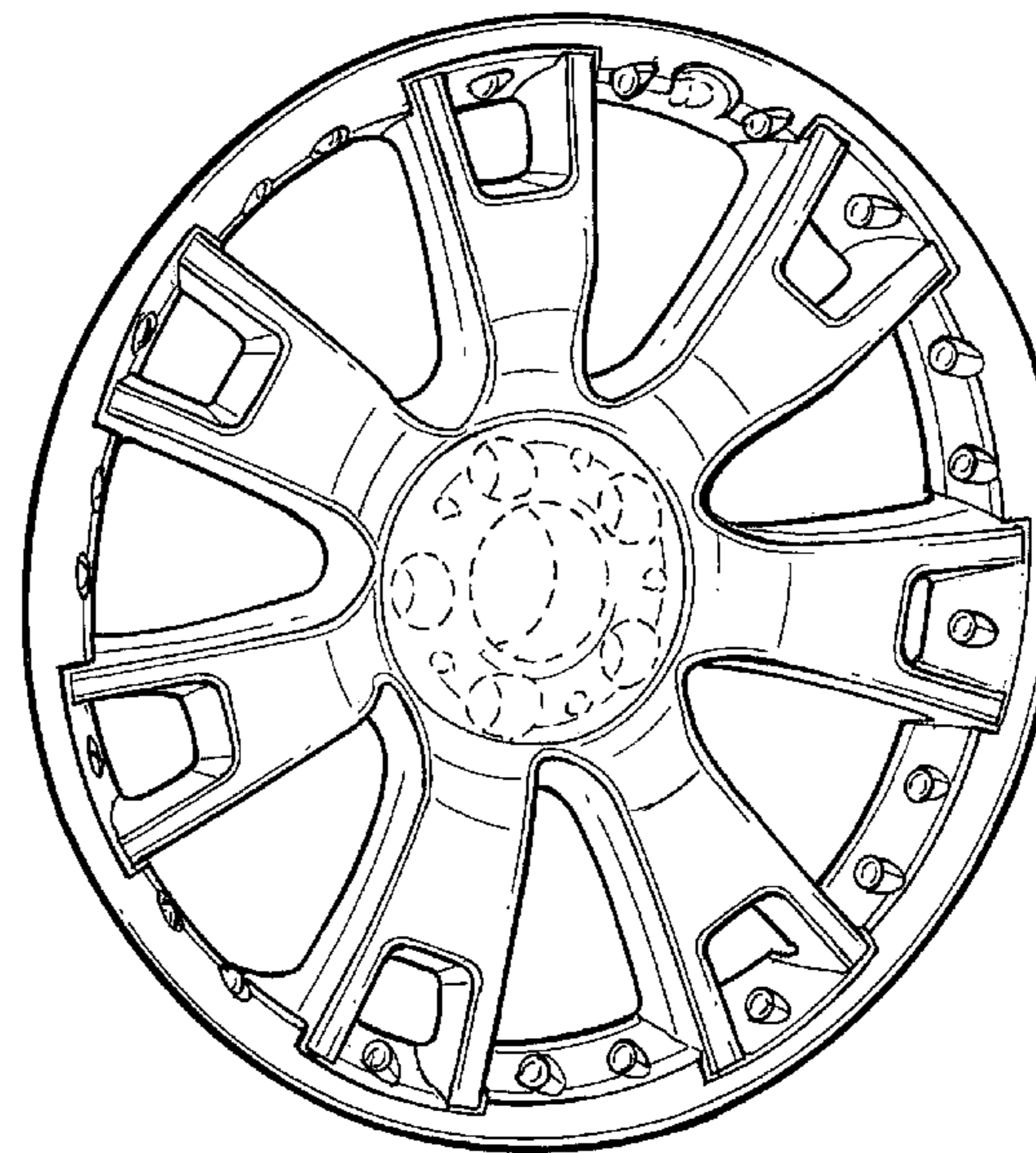
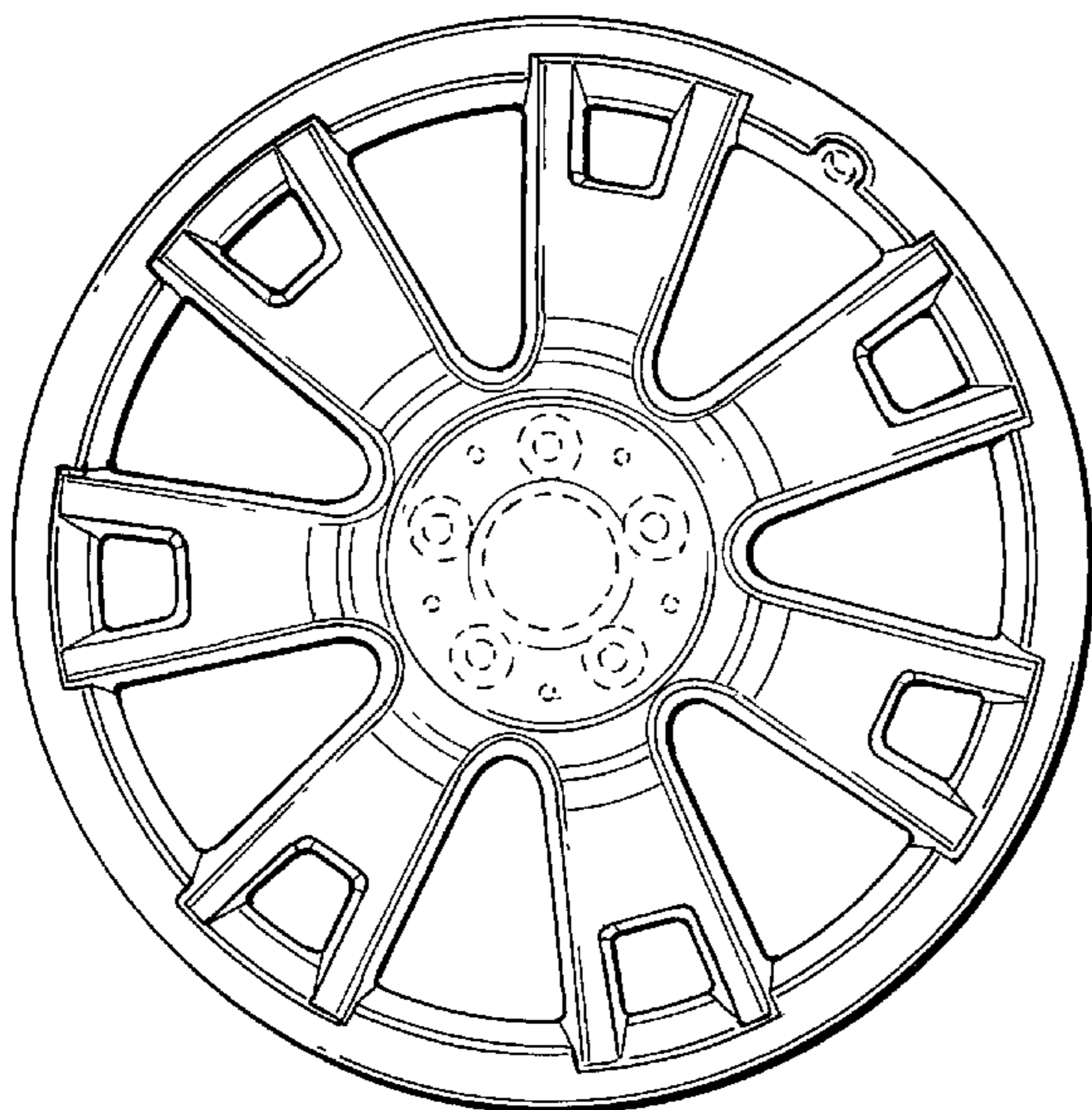
FIG. 2 is a perspective view thereof.

FIG. 3 is a front view of a second embodiment of the front face of a vehicle wheel according to my novel design; and,

FIG. 4 is a perspective view thereof.

The broken lines are for illustrative purposes only and form no part of the claimed design.

1 Claim, 2 Drawing Sheets



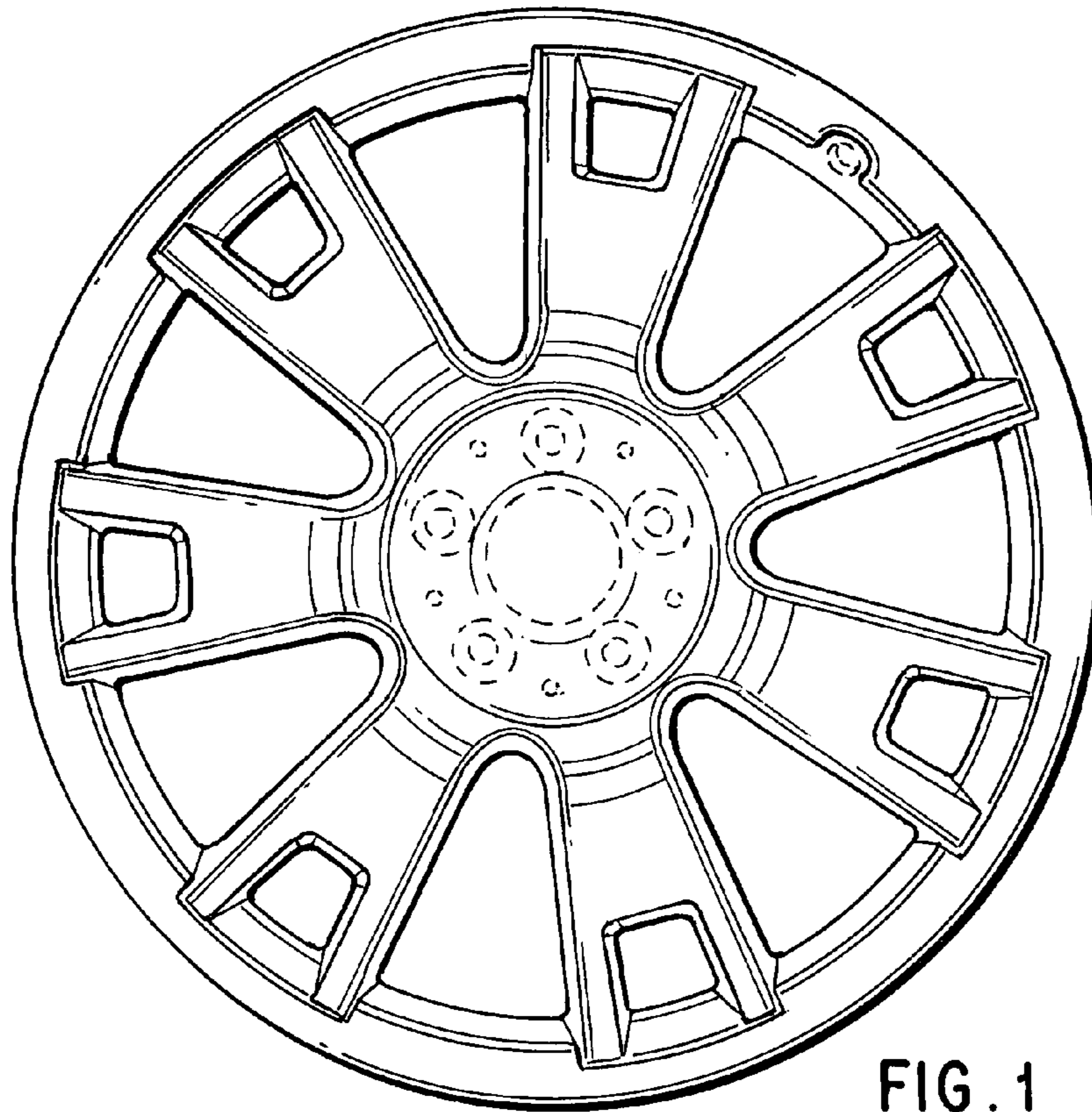


FIG. 1

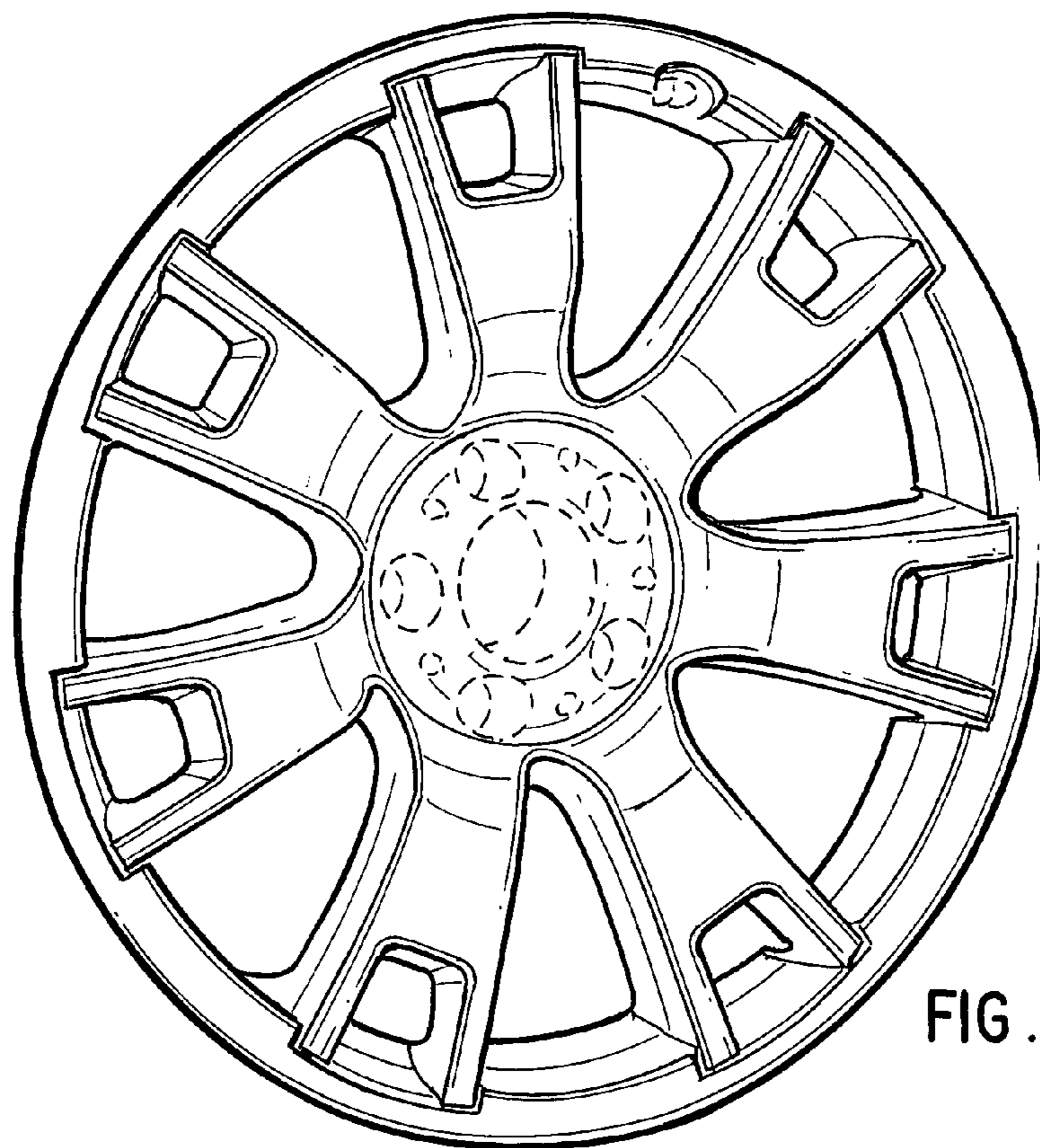


FIG. 2

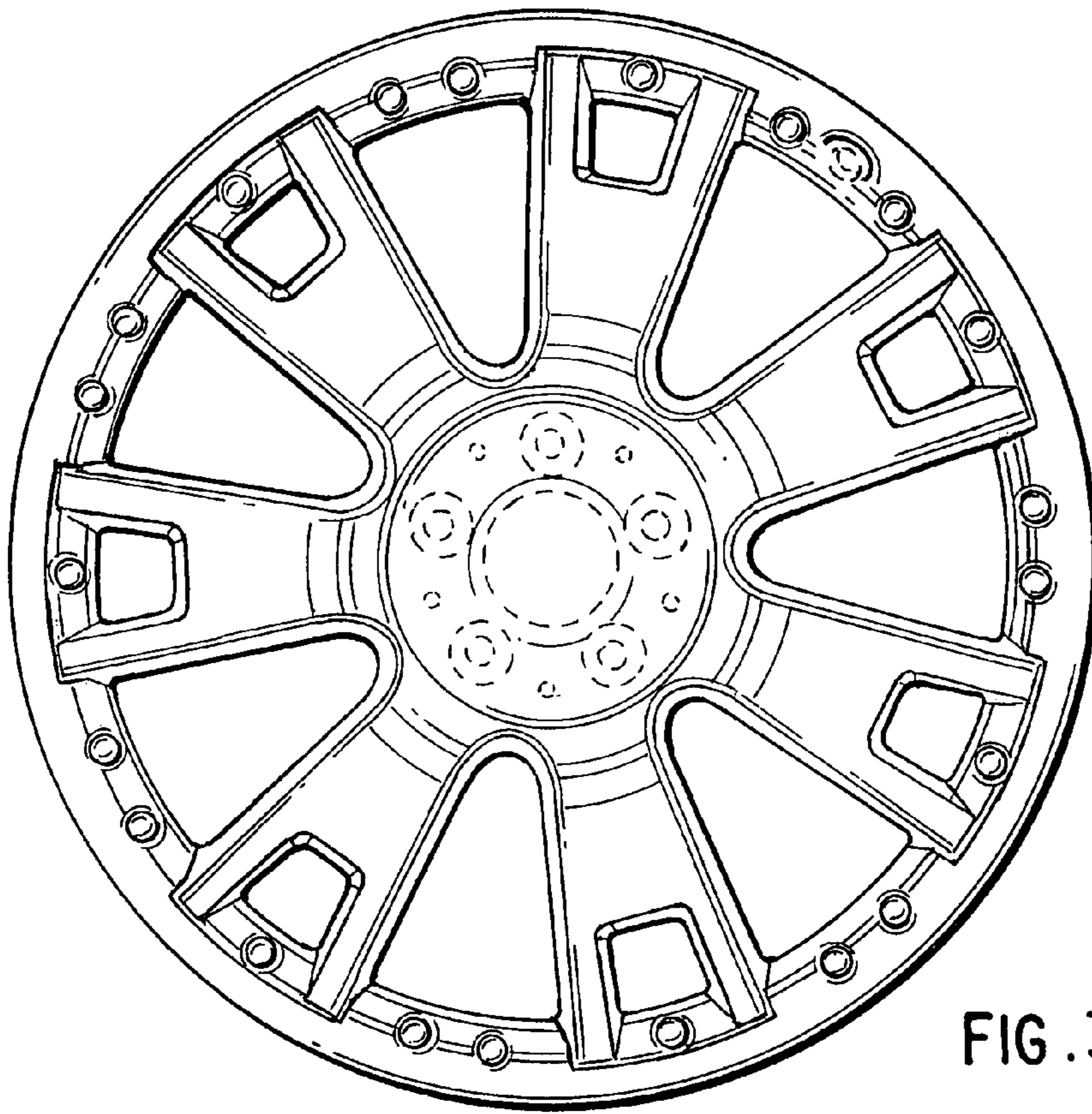


FIG. 3

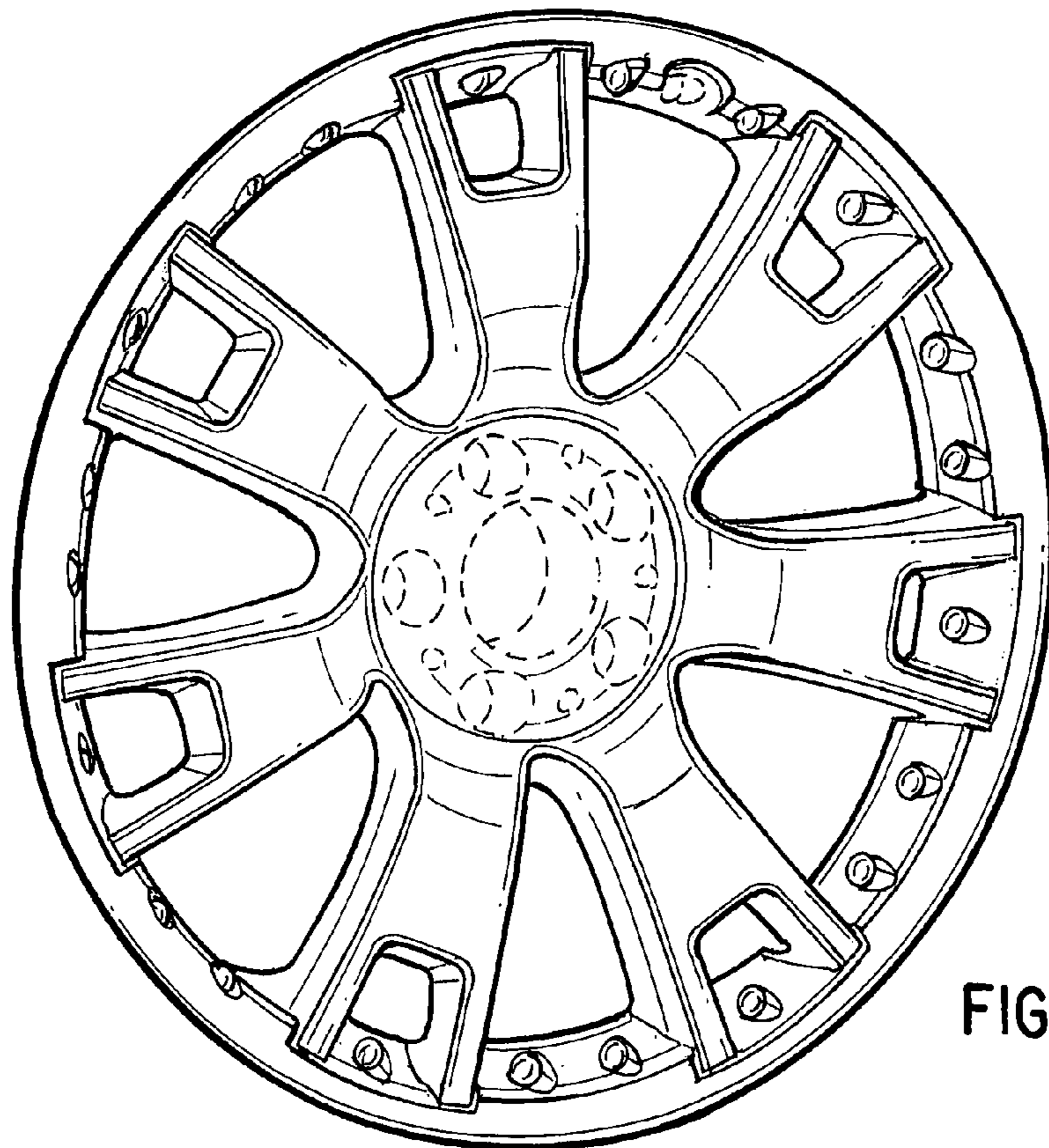


FIG. 4