



US00D570761S

(12) **United States Design Patent**
Antoniadis et al.

(10) **Patent No.:** **US D570,761 S**

(45) **Date of Patent:** **** Jun. 10, 2008**

(54) **FRONT FACE OF A VEHICLE WHEEL**

(75) Inventors: **Apostolos Antoniadis**, Sindelfingen (DE); **Peter Pfeiffer**, Boeblingen (DE)

(73) Assignee: **DaimlerChrysler AG**, Stuttgart (DE)

(**) Term: **14 Years**

(21) Appl. No.: **29/290,221**

(22) Filed: **Nov. 6, 2007**

(30) **Foreign Application Priority Data**

May 7, 2007 (EM) 000718382-0003

(51) **LOC (8) Cl.** **12-16**

(52) **U.S. Cl.** **D12/211**

(58) **Field of Classification Search** D12/204-213;
301/37.101, 64.101, 65, 64.201
See application file for complete search history.

(56) **References Cited**

U.S. PATENT DOCUMENTS

D422,959 S *	4/2000	Hussaini et al.	D12/211
D481,663 S *	11/2003	Maifrini	D12/211
D523,801 S *	6/2006	Madden	D12/211
D526,610 S *	8/2006	Muzzarelli	D12/211
D528,061 S *	9/2006	Saridakis et al.	D12/211

D528,962 S *	9/2006	Blasi	D12/211
D532,739 S *	11/2006	Ettensberger	D12/211
D539,724 S *	4/2007	Muzzarelli	D12/211
D540,238 S *	4/2007	Sycha	D12/209
D542,207 S *	5/2007	Gauffres	D12/211
D542,728 S *	5/2007	Ichinose	D12/211
D547,711 S *	7/2007	Young	D12/211
D558,118 S *	12/2007	Hueller et al.	D12/211

* cited by examiner

Primary Examiner—Stacia Cadmus

(74) *Attorney, Agent, or Firm*—Crowell & Moring LLP

(57) **CLAIM**

The ornamental design for a front face of a vehicle wheel, as shown and described.

DESCRIPTION

FIG. 1 is a front view of a first embodiment of a front face of a vehicle wheel according to our novel design; and

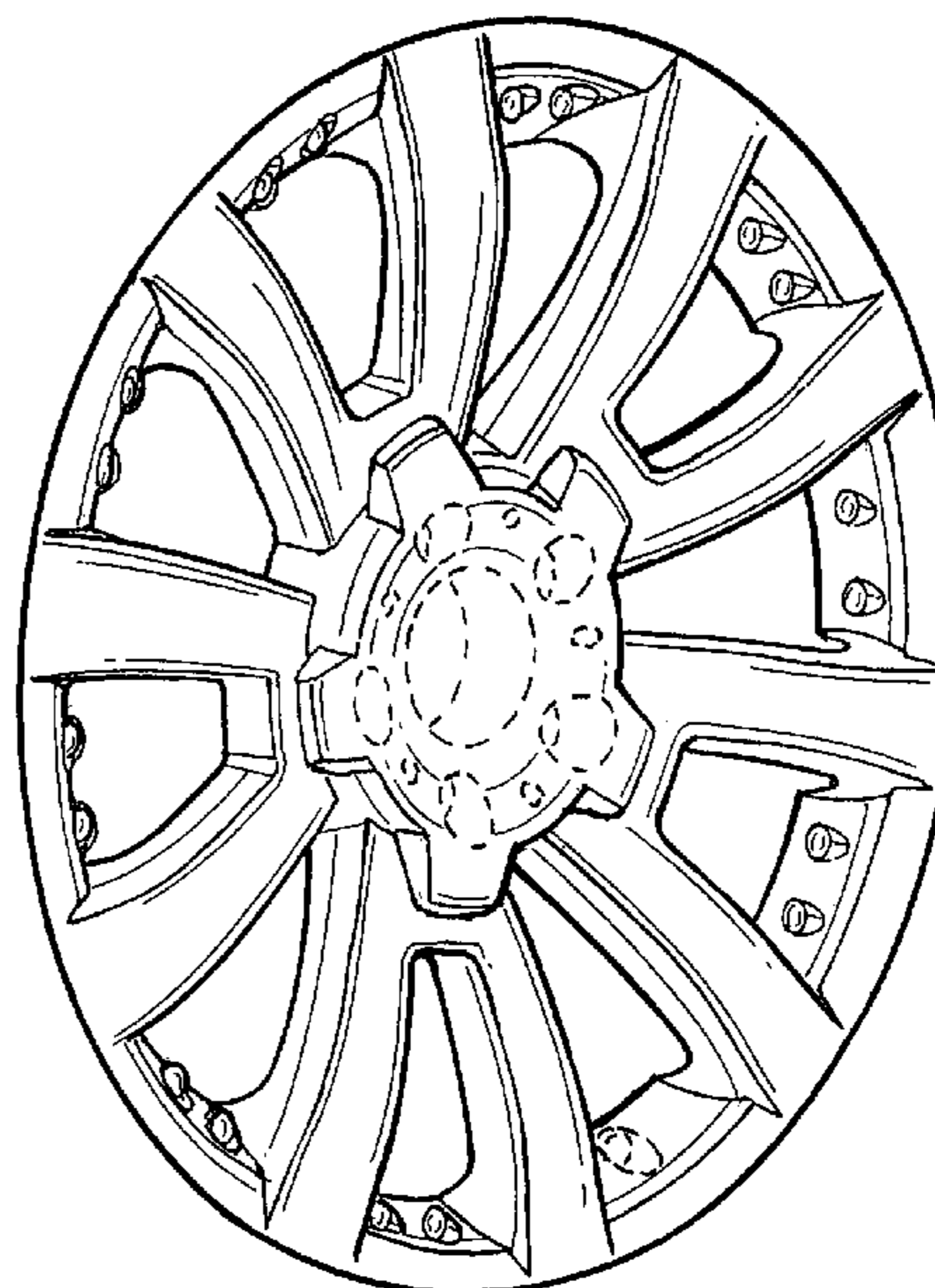
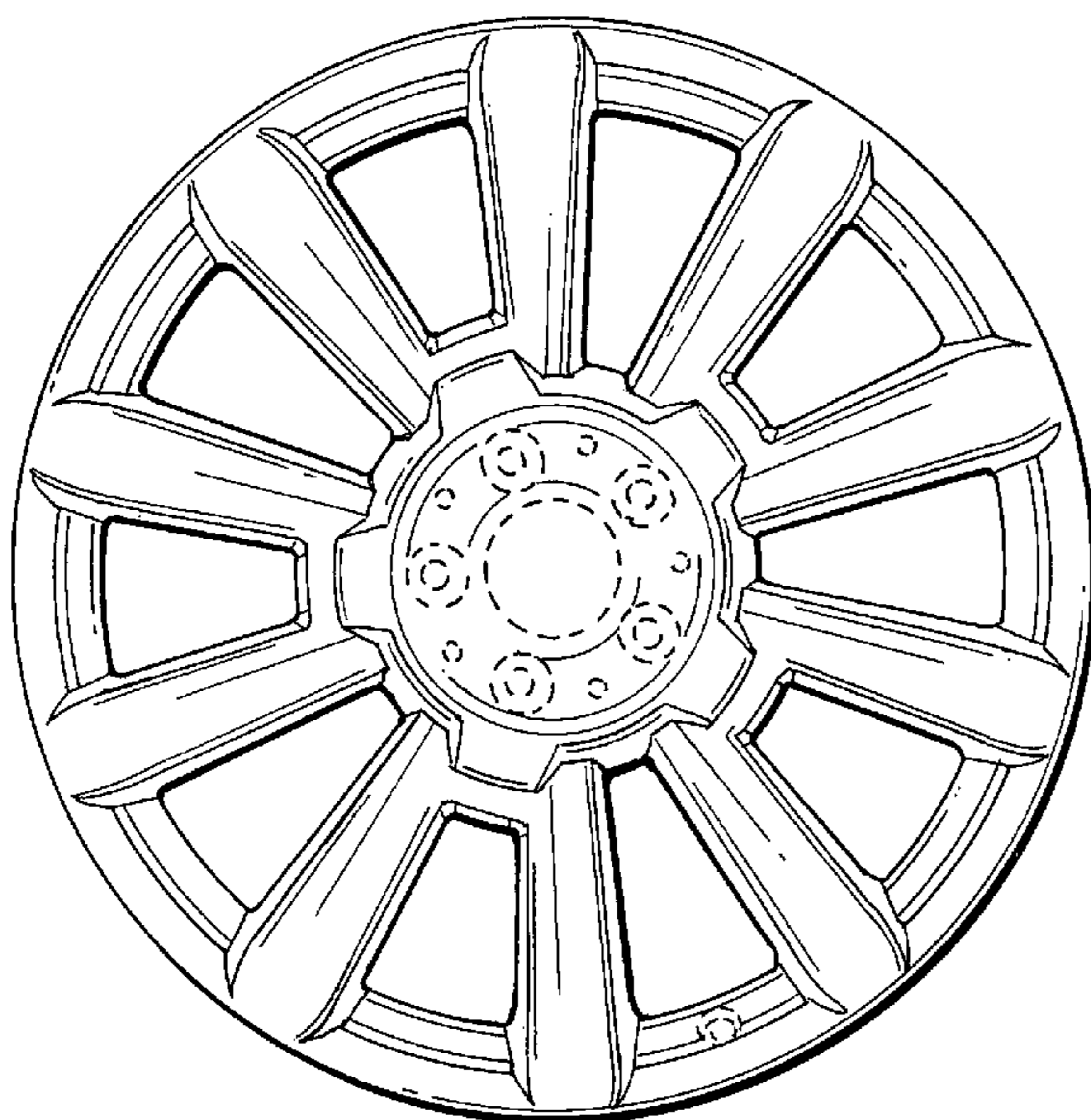
FIG. 2 is a perspective view thereof.

FIG. 3 is a front view of a second embodiment of the front face of a vehicle wheel according to our novel design; and,

FIG. 4 is a perspective view thereof.

The broken lines are for illustrative purposes only and form no part of the claimed design.

1 Claim, 2 Drawing Sheets



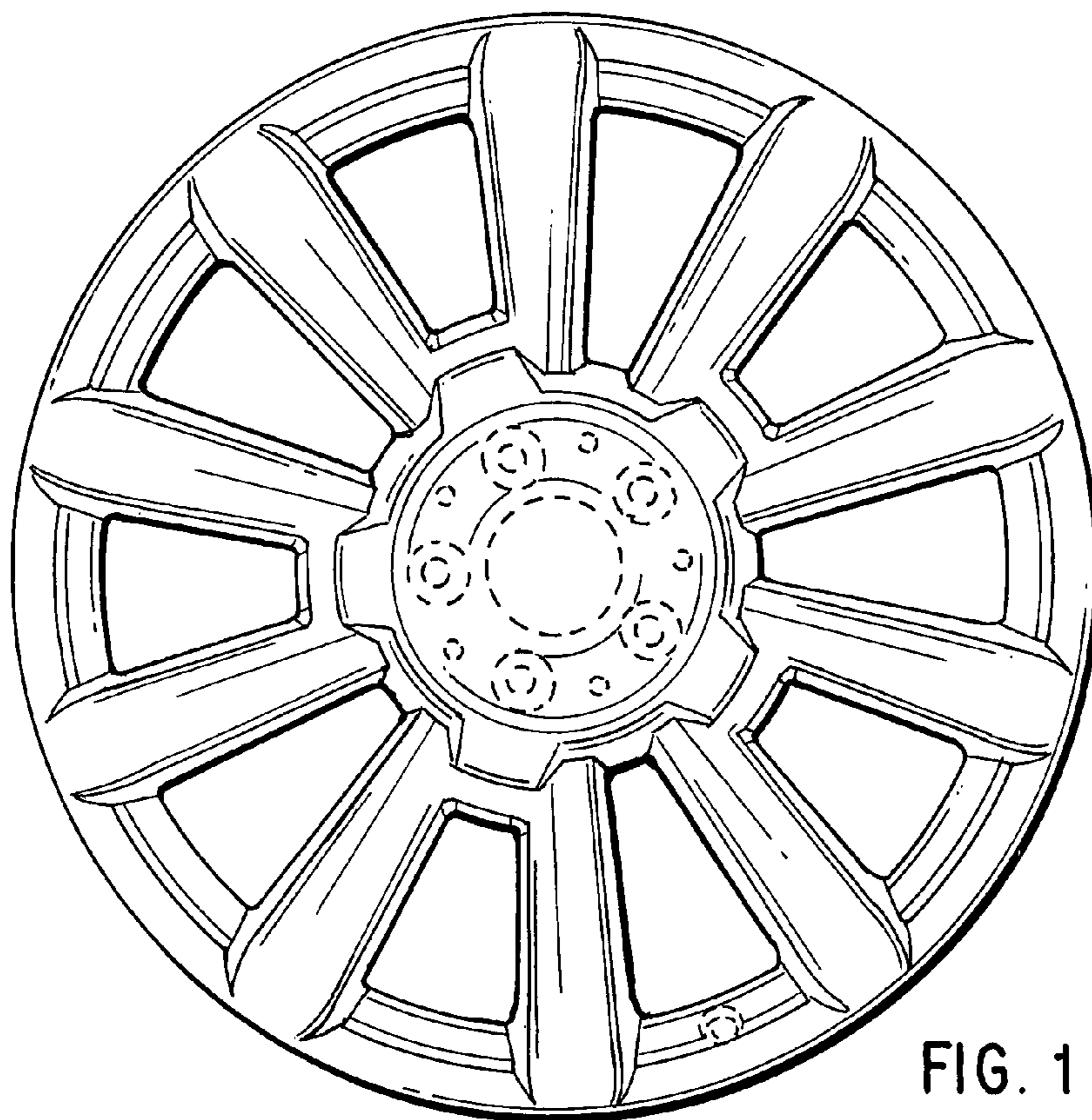


FIG. 1

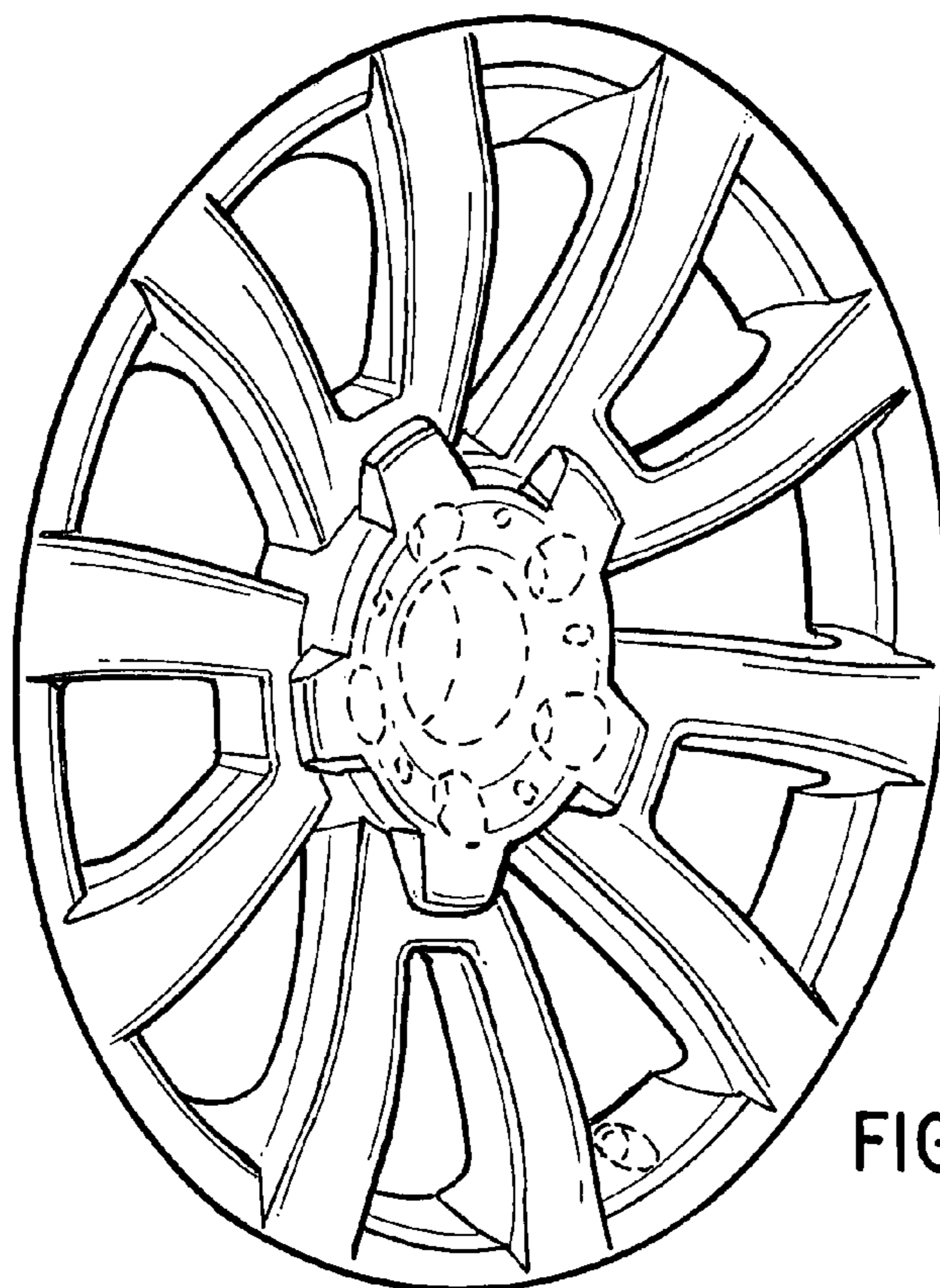


FIG. 2

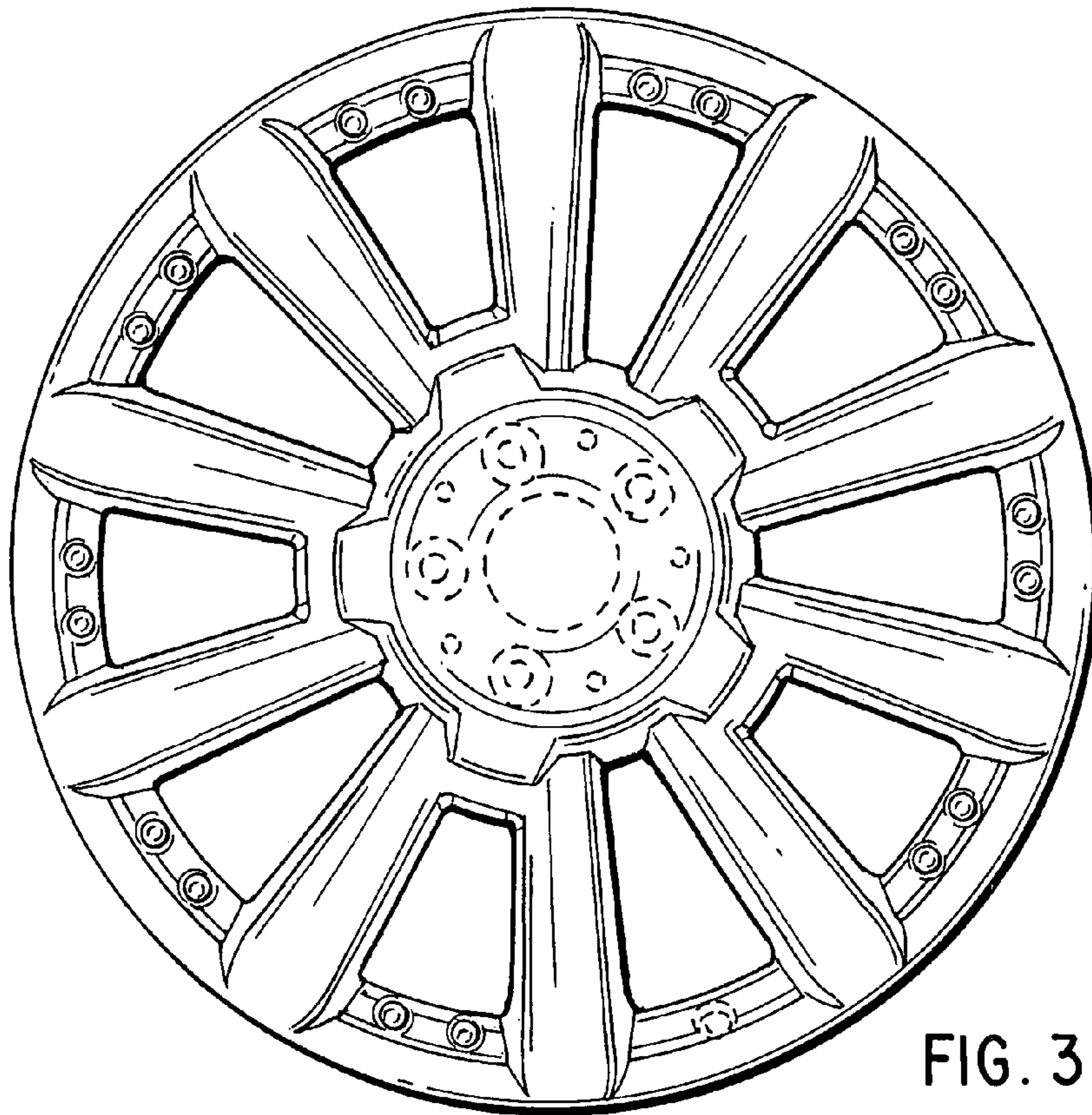


FIG. 3

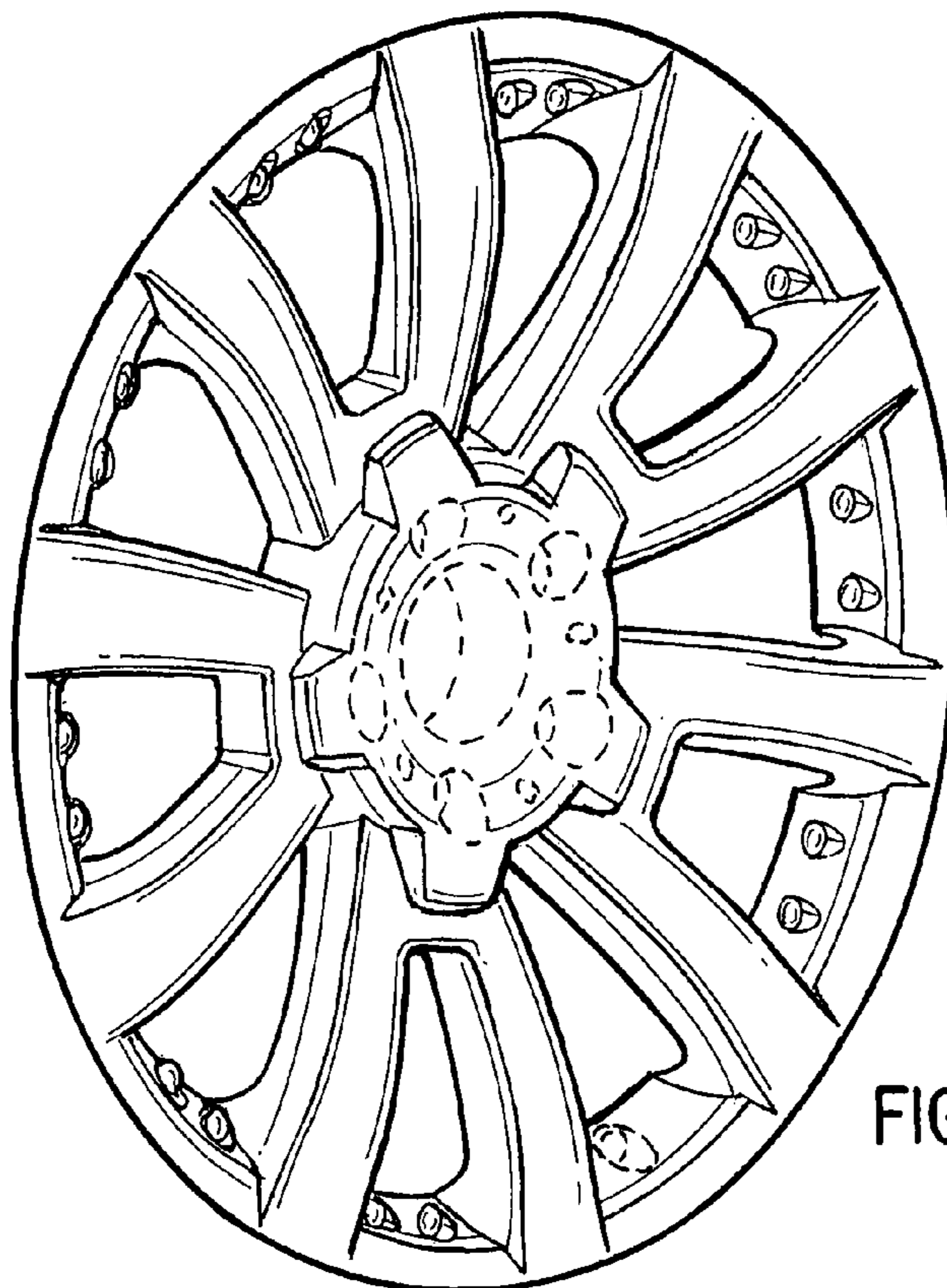


FIG. 4