



US00D570759S

(12) **United States Design Patent**
Antoniadis et al.

(10) **Patent No.:** **US D570,759 S**

(45) **Date of Patent:** **** Jun. 10, 2008**

(54) **FRONT FACE OF A VEHICLE WHEEL**

(75) Inventors: **Apostolos Antoniadis**, Sindelfingen (DE); **Peter Pfeiffer**, Boeblingen (DE)

(73) Assignee: **DaimlerChrysler AG**, Stuttgart (DE)

(**) Term: **14 Years**

(21) Appl. No.: **29/290,220**

(22) Filed: **Nov. 6, 2007**

(30) **Foreign Application Priority Data**

May 7, 2007 (EM) 000718382-0004

(51) **LOC (8) Cl.** **12-16**

(52) **U.S. Cl.** **D12/209**

(58) **Field of Classification Search** D12/204-213;
301/37.101, 64.101, 65, 64.201
See application file for complete search history.

(56) **References Cited**

U.S. PATENT DOCUMENTS

- D396,839 S * 8/1998 Cullen D12/211
- D419,517 S * 1/2000 Sacco et al. D12/211
- D461,754 S * 8/2002 Hoshino D12/209

- D499,681 S * 12/2004 Boyer D12/209
- D503,371 S * 3/2005 Boyer D12/211
- D529,429 S * 10/2006 Hsu D12/209
- D549,633 S * 8/2007 Sycha et al. D12/209
- D555,566 S * 11/2007 Hlinovsky D12/209

* cited by examiner

Primary Examiner—Stacia Cadmus

(74) *Attorney, Agent, or Firm*—Crowell & Moring LLP

(57) **CLAIM**

The ornamental design for a front face of a vehicle wheel, as shown and described.

DESCRIPTION

FIG. 1 is a front view of a first embodiment of a front face of a vehicle wheel according to our novel design; and

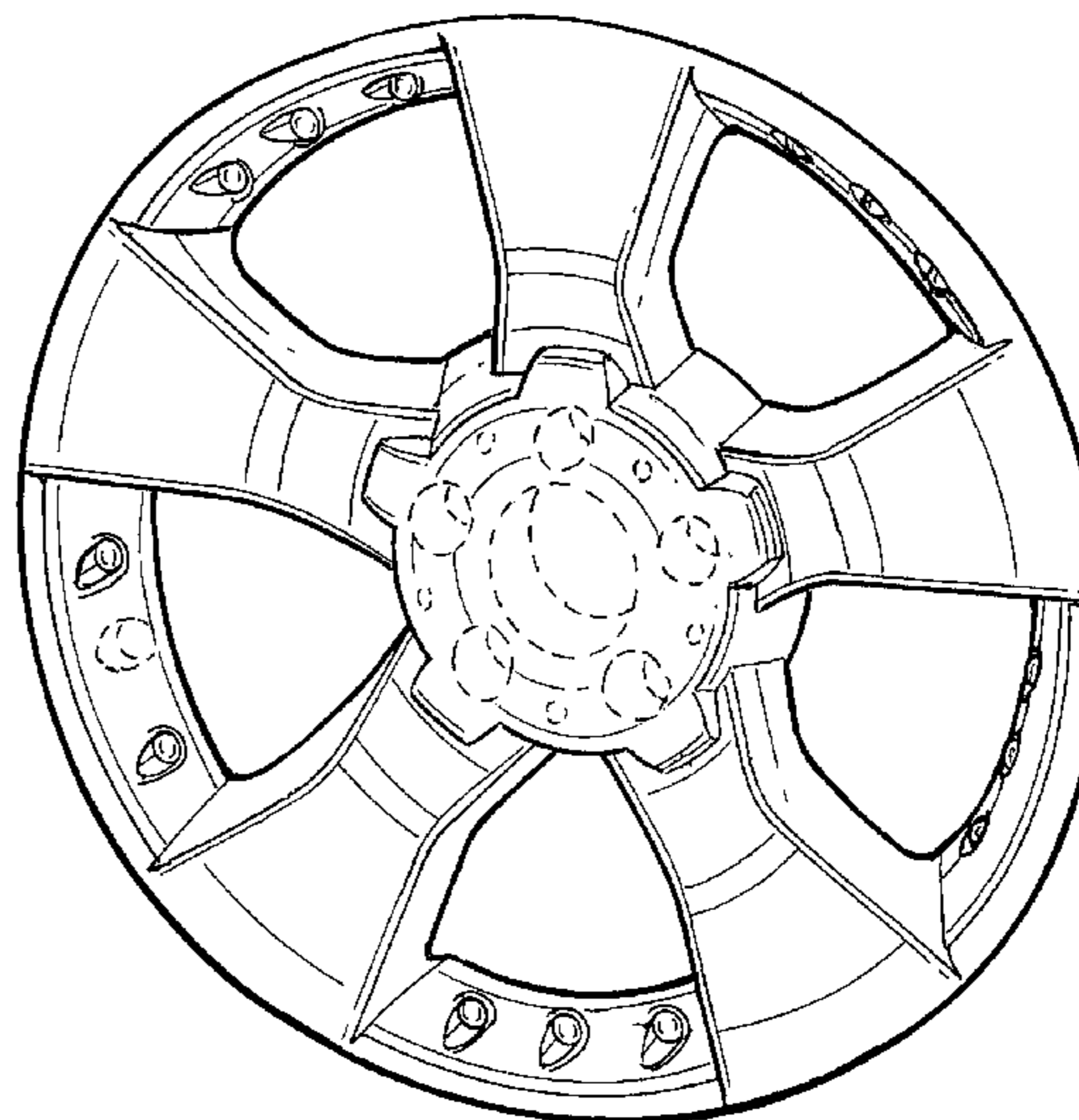
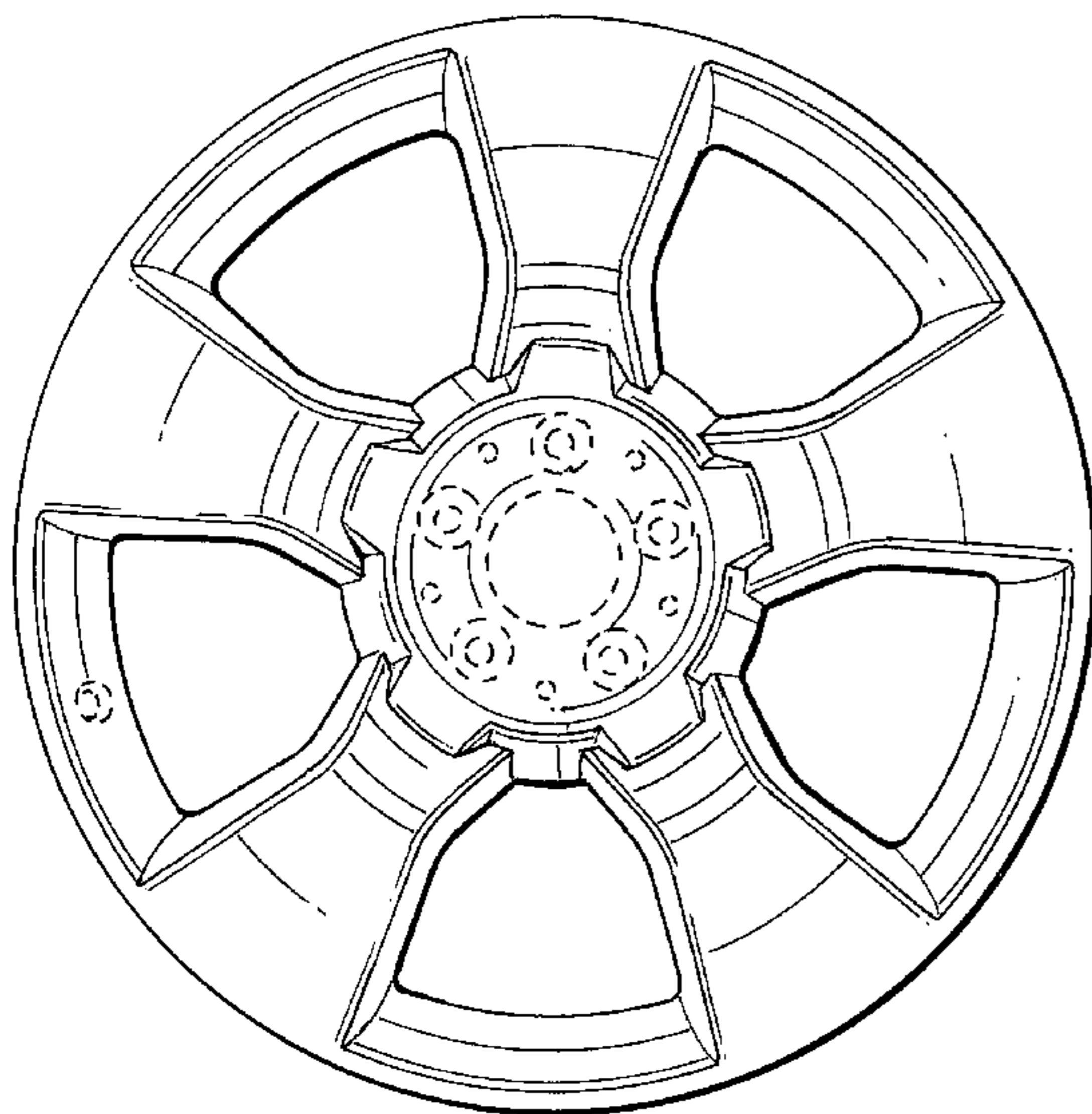
FIG. 2 is a perspective view thereof.

FIG. 3 is a front view of a second embodiment of the front face of a vehicle wheel according to our novel design; and,

FIG. 4 is a perspective view thereof.

The broken lines are for illustrative purposes only and form no part of the claimed design.

1 Claim, 2 Drawing Sheets



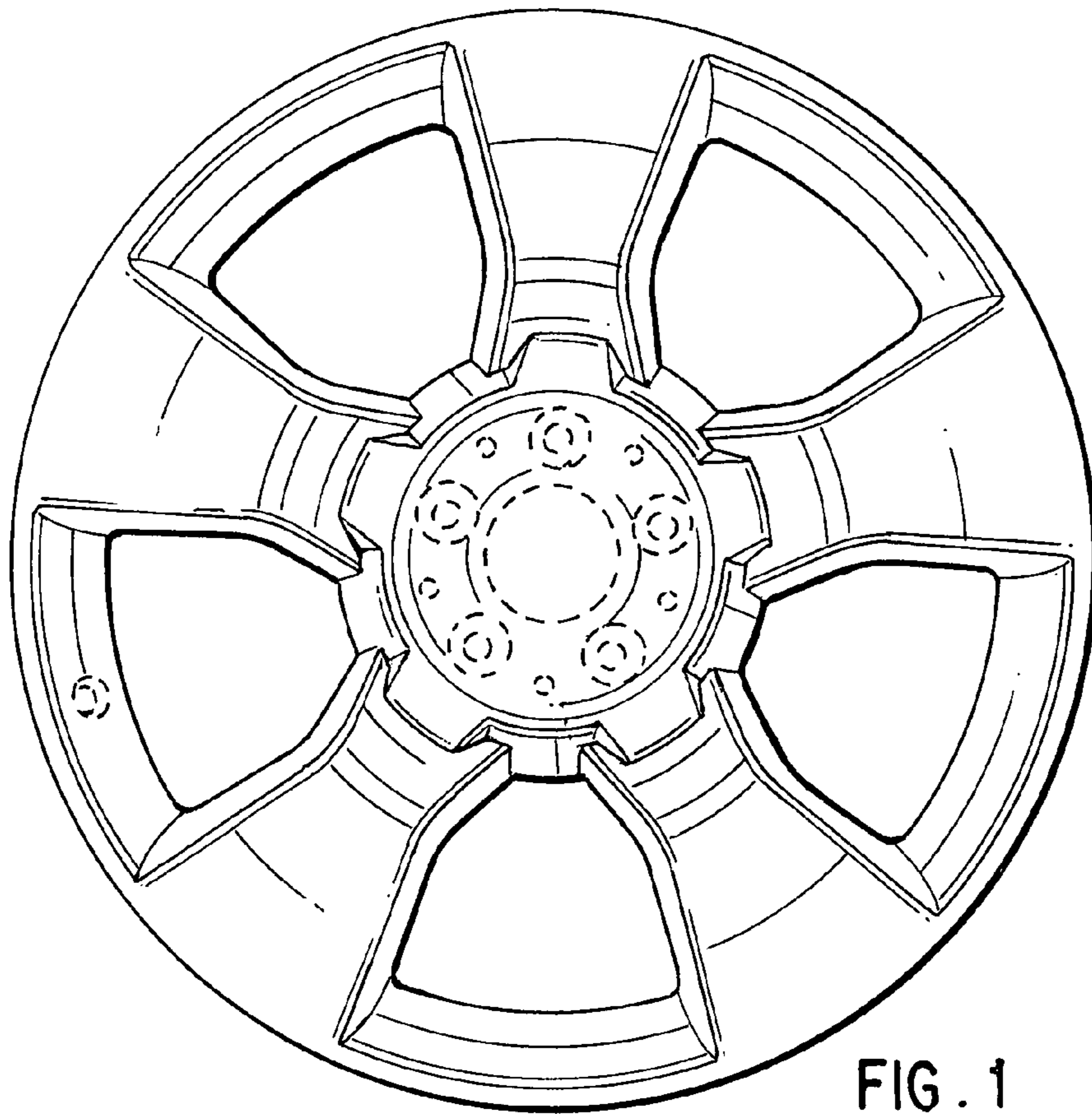


FIG. 1

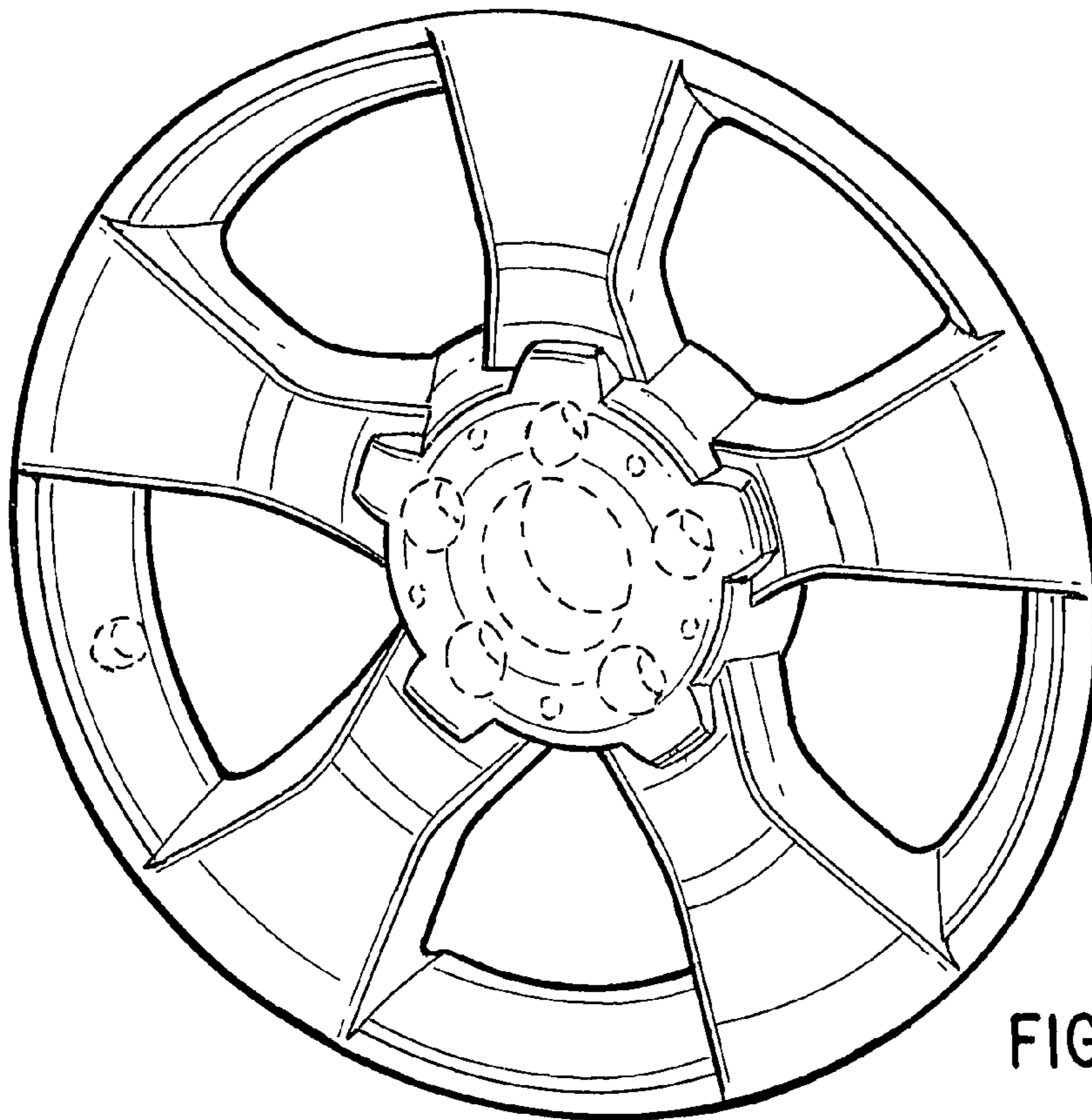


FIG. 2

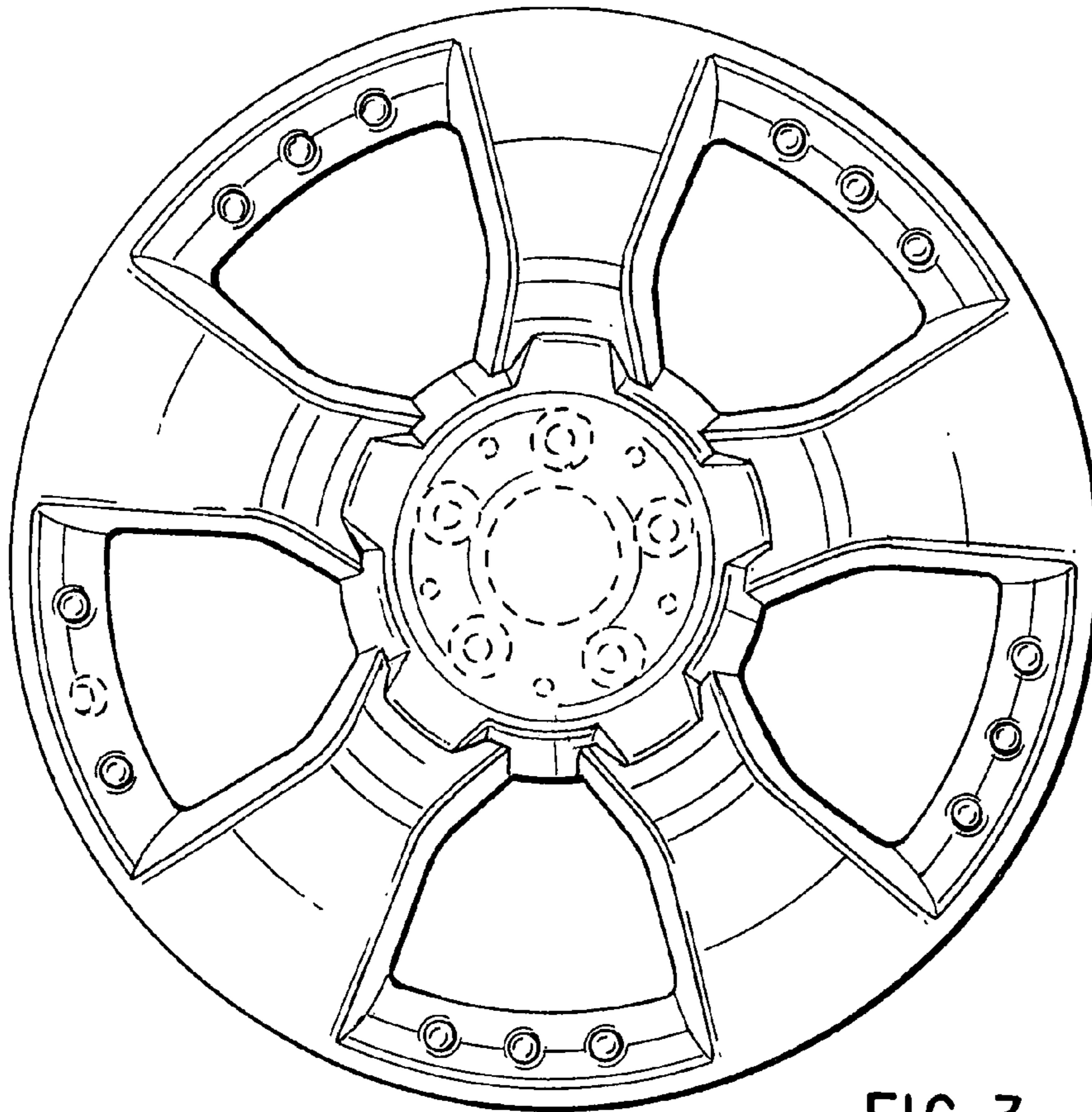


FIG. 3

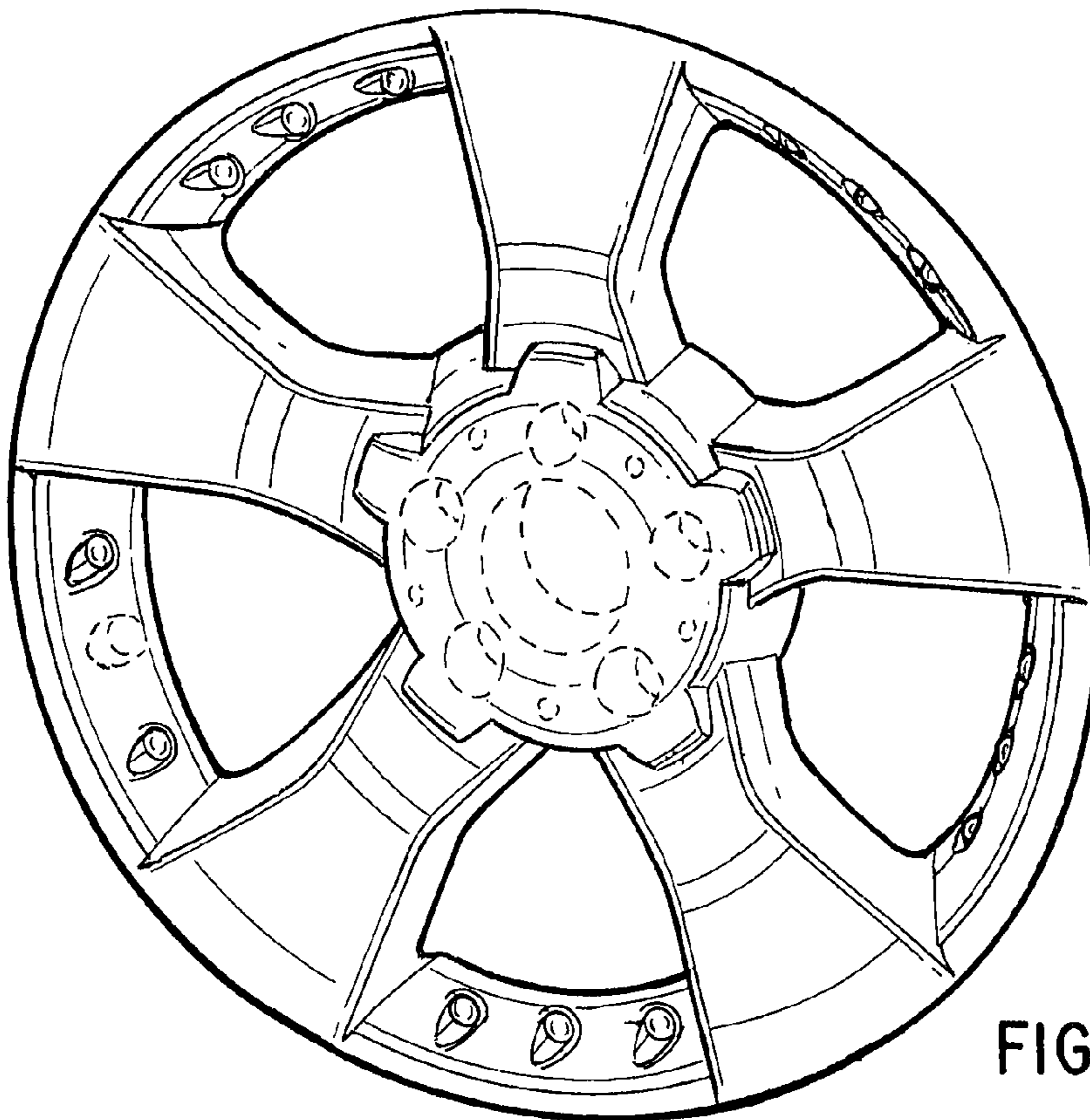


FIG. 4