

US00D570758S

(12) **United States Design Patent**
Bhambra

(10) **Patent No.:** **US D570,758 S**

(45) **Date of Patent:** **** Jun. 10, 2008**

(54) **FRONT FACE OF A VEHICLE WHEEL**

(75) **Inventor:** **Ranjit Bhambra,**
Tiefenbronn-Muehlhausen (DE)

(73) **Assignee:** **Dr. Ing. h.c.F. Porsche**
Aktiengesellschaft, Stuttgart (DE)

(**) **Term:** **14 Years**

(21) **Appl. No.:** **29/263,711**

(22) **Filed:** **Jul. 28, 2006**

(30) **Foreign Application Priority Data**

Jan. 30, 2006 (EM) 000471248-0001

(51) **LOC (8) Cl.** **12-16**

(52) **U.S. Cl.** **D12/209**

(58) **Field of Classification Search** D12/204-213;
301/37.101, 64.101, 65, 64.201

See application file for complete search history.

(56) **References Cited**

U.S. PATENT DOCUMENTS

D414,738 S * 10/1999 Escue D12/209
D420,637 S * 2/2000 Glade D12/209
D437,821 S * 2/2001 Frohlich D12/211

D495,985 S * 9/2004 Lai D12/209
D504,098 S * 4/2005 Gallert D12/209
D516,487 S * 3/2006 Hettler D12/209
D521,437 S * 5/2006 Long D12/209
D526,262 S * 8/2006 Guevara D12/209
D526,946 S * 8/2006 Takechi D12/209
D531,104 S * 10/2006 Kim D12/209
D542,211 S * 5/2007 Hieke D12/211
D542,726 S * 5/2007 Hieke D12/209
D543,493 S * 5/2007 Kim D12/209

* cited by examiner

Primary Examiner—Stacia Cadmus

(74) *Attorney, Agent, or Firm*—Crowell & Moring LLP

(57) **CLAIM**

The ornamental design for a front face of a vehicle wheel, as shown and described.

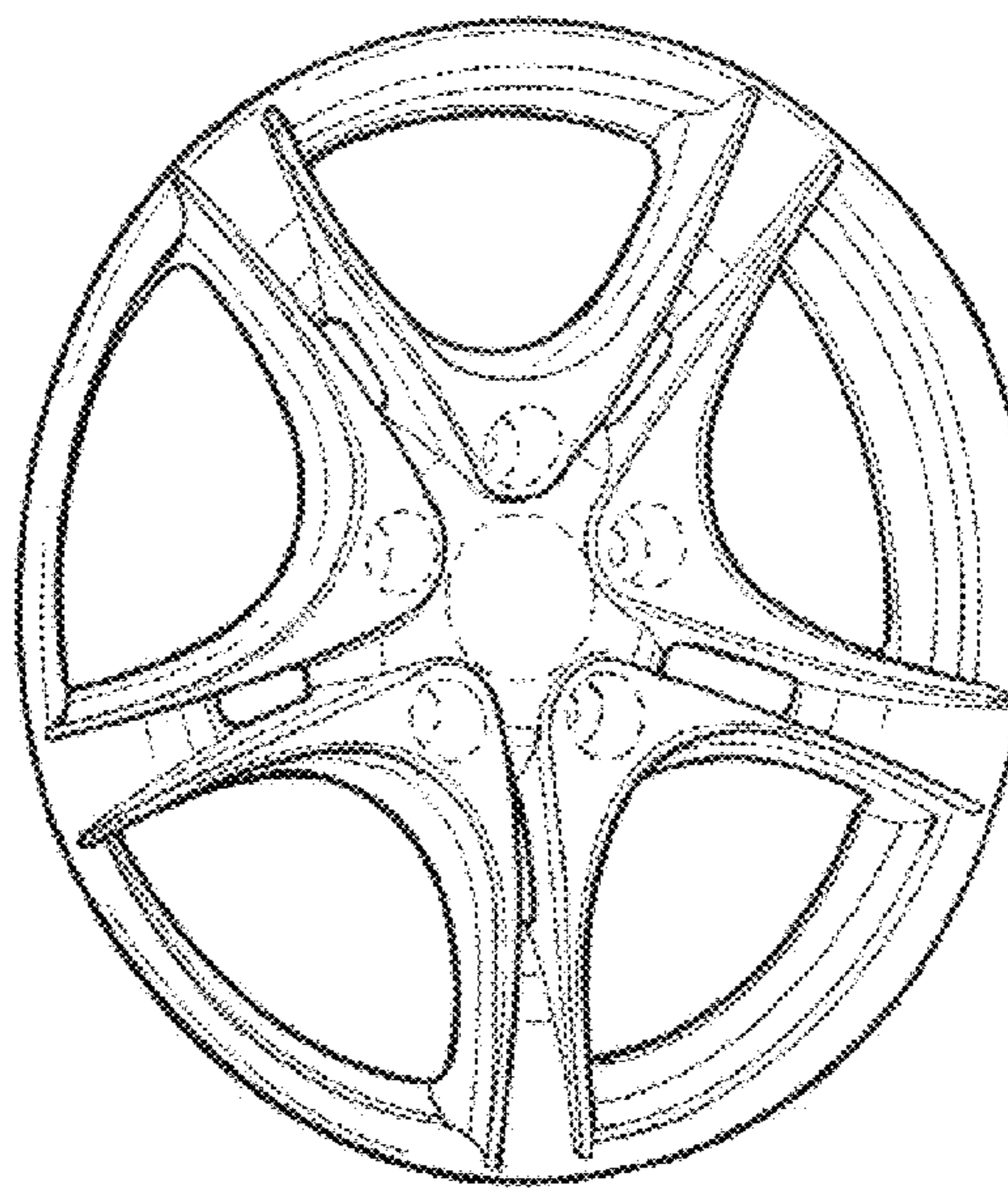
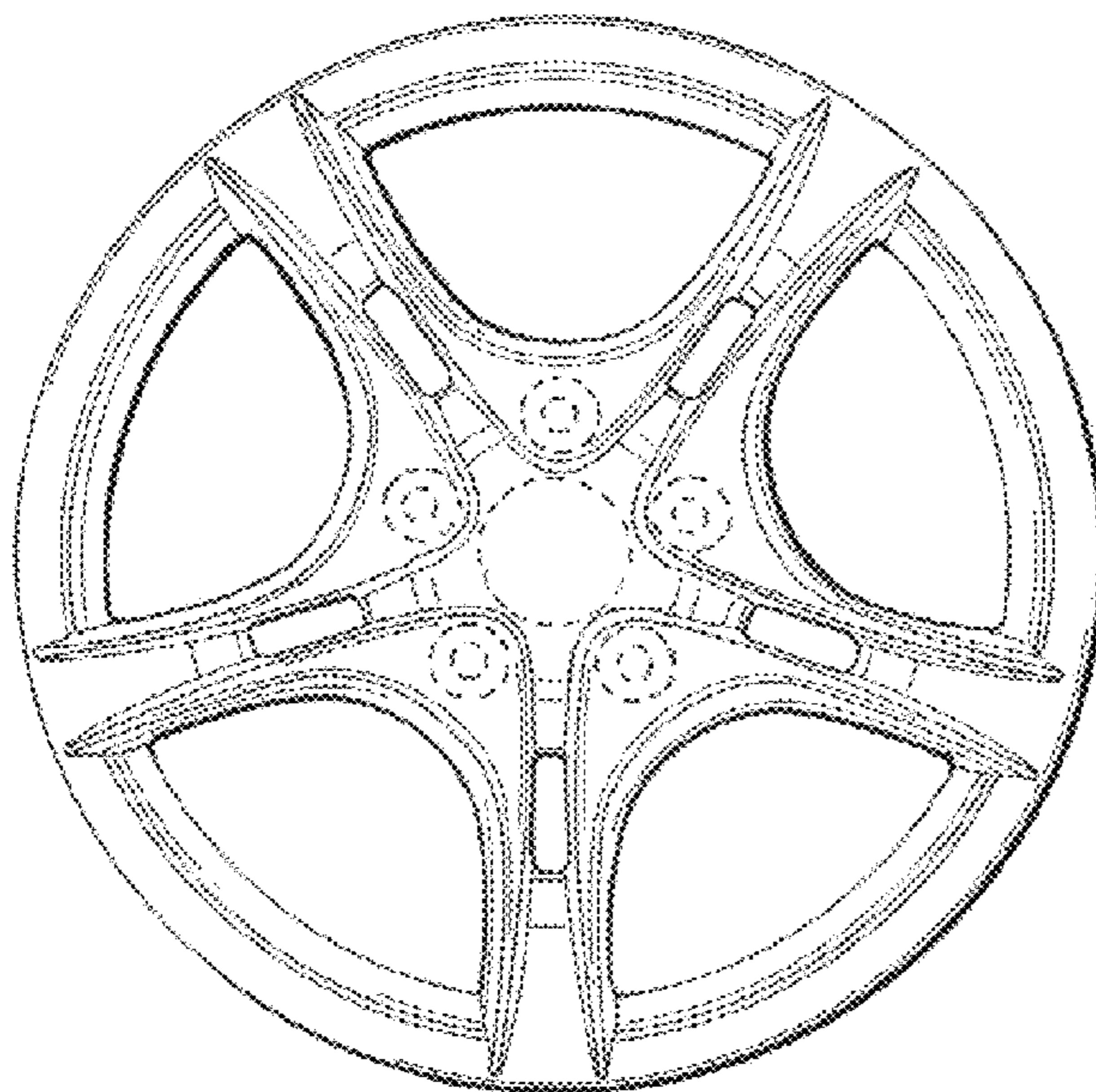
DESCRIPTION

FIG. 1 is a front view of a front face of a vehicle wheel according to my novel design; and,

FIG. 2 is a perspective view thereof.

The broken lines are for illustrative purposes only and form no part of the claimed design. Also enclosed is a set of photographs of an embodiment of the design.

1 Claim, 1 Drawing Sheet



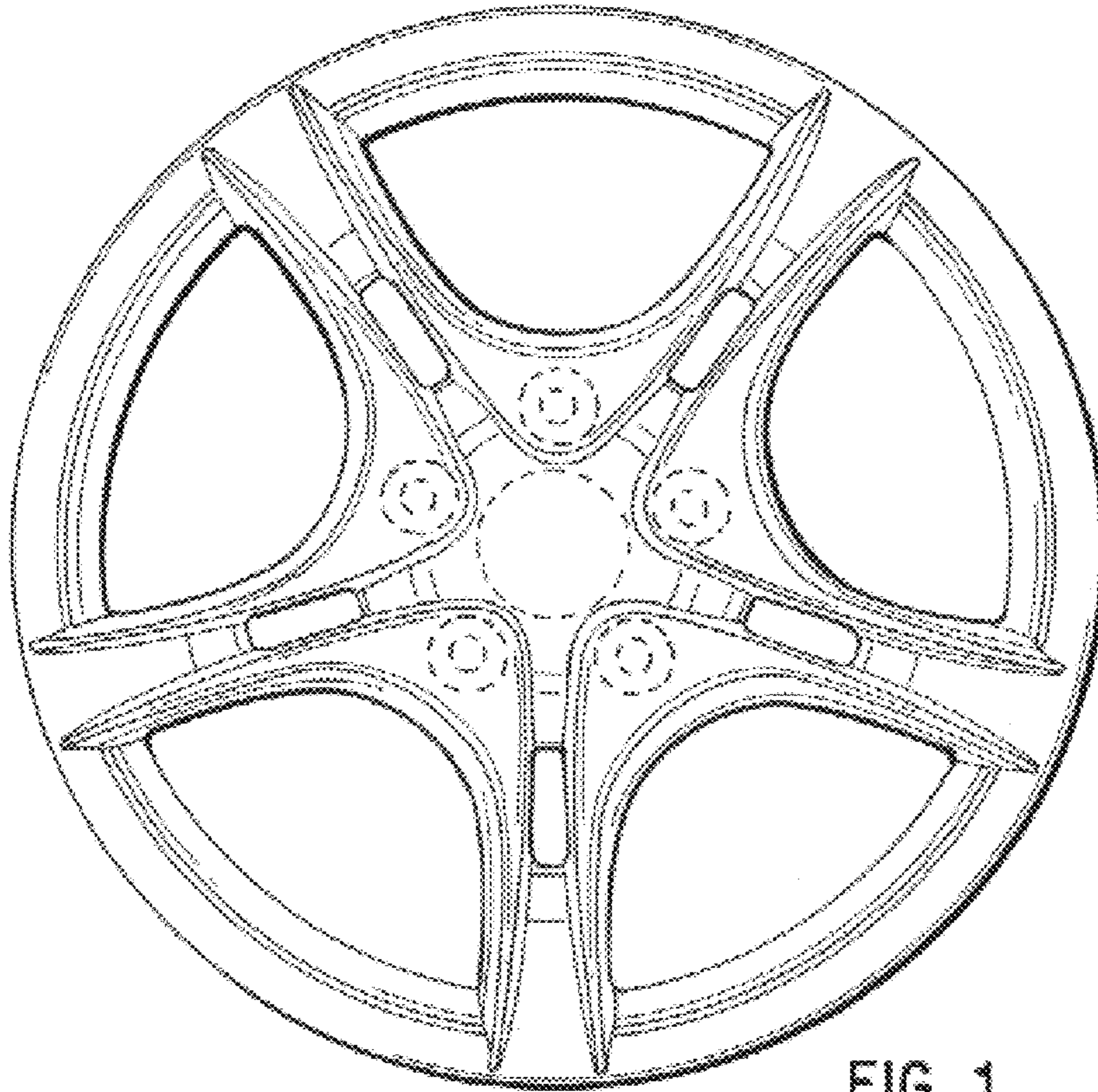


FIG. 1

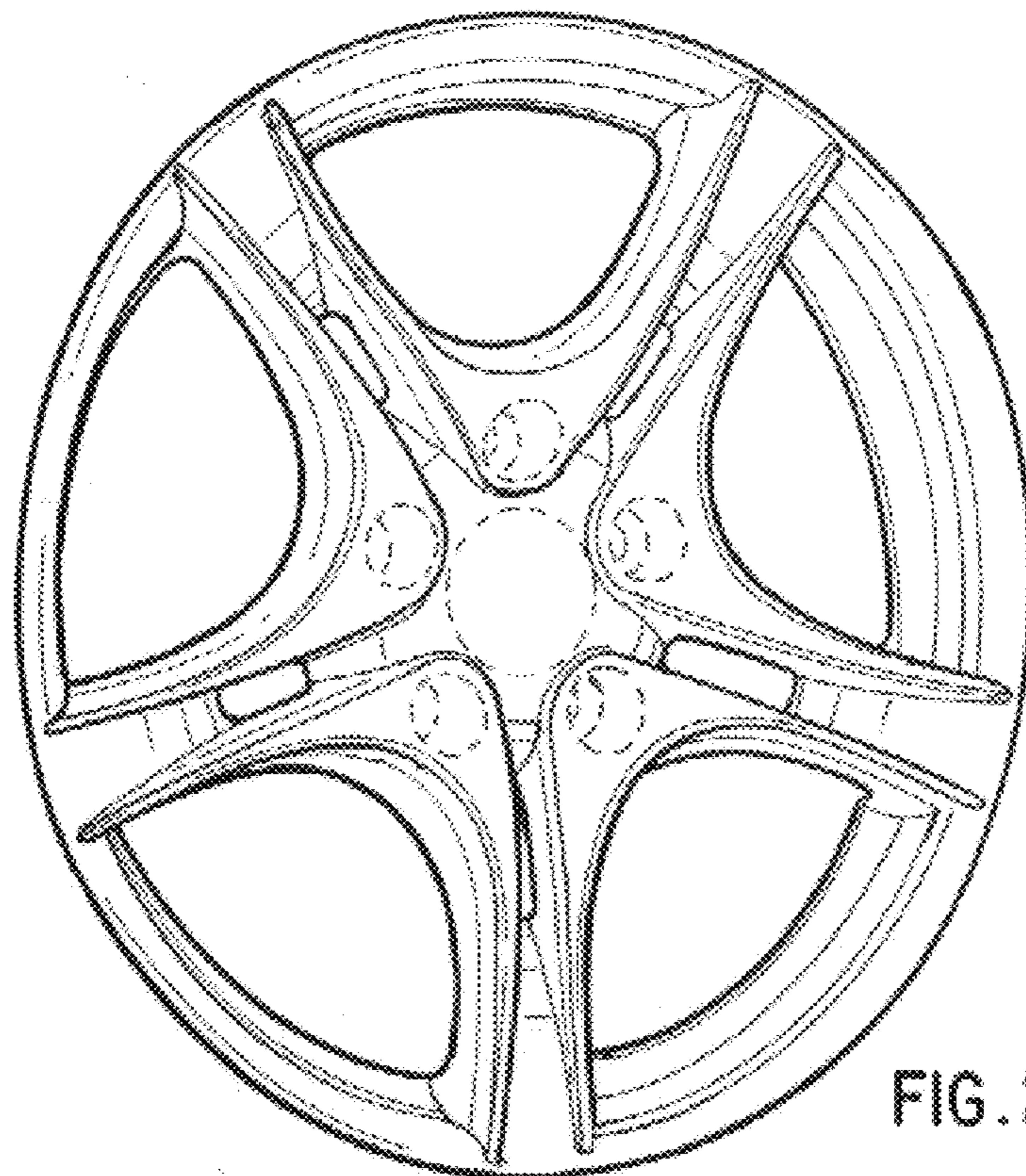


FIG. 2