



US00D570751S

(12) **United States Design Patent**  
**Choi**

(10) **Patent No.:** **US D570,751 S**

(45) **Date of Patent:** **\*\* Jun. 10, 2008**

(54) **BUMPER FOR VEHICLE**

(75) Inventor: **Jungkyu Choi**, Yokohama (JP)

(73) Assignee: **Nissan Motor Co., Ltd.**, Yokohama-shi (JP)

(\*\*) Term: **14 Years**

(21) Appl. No.: **29/287,226**

(22) Filed: **Jul. 11, 2007**

(30) **Foreign Application Priority Data**

Feb. 7, 2007 (JP) ..... 2007-002878

(51) **LOC (8) Cl.** ..... **12-16**

(52) **U.S. Cl.** ..... **D12/169**

(58) **Field of Classification Search** ..... D12/169,  
D12/196, 171, 163, 90-92, 86; 293/102,  
293/113, 115, 117, 120; 296/280.1, 280.2  
See application file for complete search history.

(56) **References Cited**

**U.S. PATENT DOCUMENTS**

- D506,956 S \* 7/2005 Wakasugi et al. .... D12/169
- D515,990 S \* 2/2006 Nakamura ..... D12/169
- D528,051 S \* 9/2006 Fukui et al. .... D12/169

- D531,098 S \* 10/2006 Hiruta et al. .... D12/169
- D544,415 S \* 6/2007 Okamoto ..... D12/169
- D555,053 S \* 11/2007 Endo et al. .... D12/169
- D557,185 S \* 12/2007 Janik ..... D12/169
- D561,072 S \* 2/2008 Golden et al. .... D12/169

\* cited by examiner

*Primary Examiner*—Melody N Brown

(74) *Attorney, Agent, or Firm*—Foley & Lardner LLP

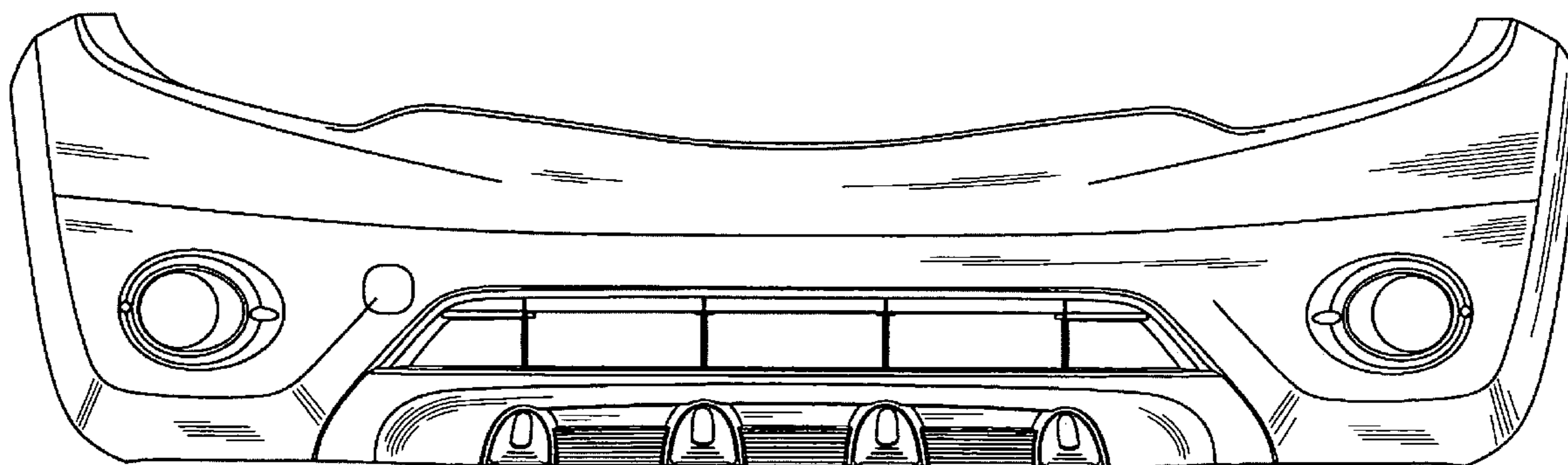
(57) **CLAIM**

The ornamental design for a bumper for vehicle, as shown and described.

**DESCRIPTION**

FIG. 1 is a perspective view of a bumper for vehicle;  
 FIG. 2 is a bottom perspective view thereof;  
 FIG. 3 is a front view thereof;  
 FIG. 4 is a rear view thereof;  
 FIG. 5 is a top plan view thereof;  
 FIG. 6 is a bottom plan view thereof;  
 FIG. 7 is a right side view thereof; and,  
 FIG. 8 is a left side view thereof.

**1 Claim, 7 Drawing Sheets**



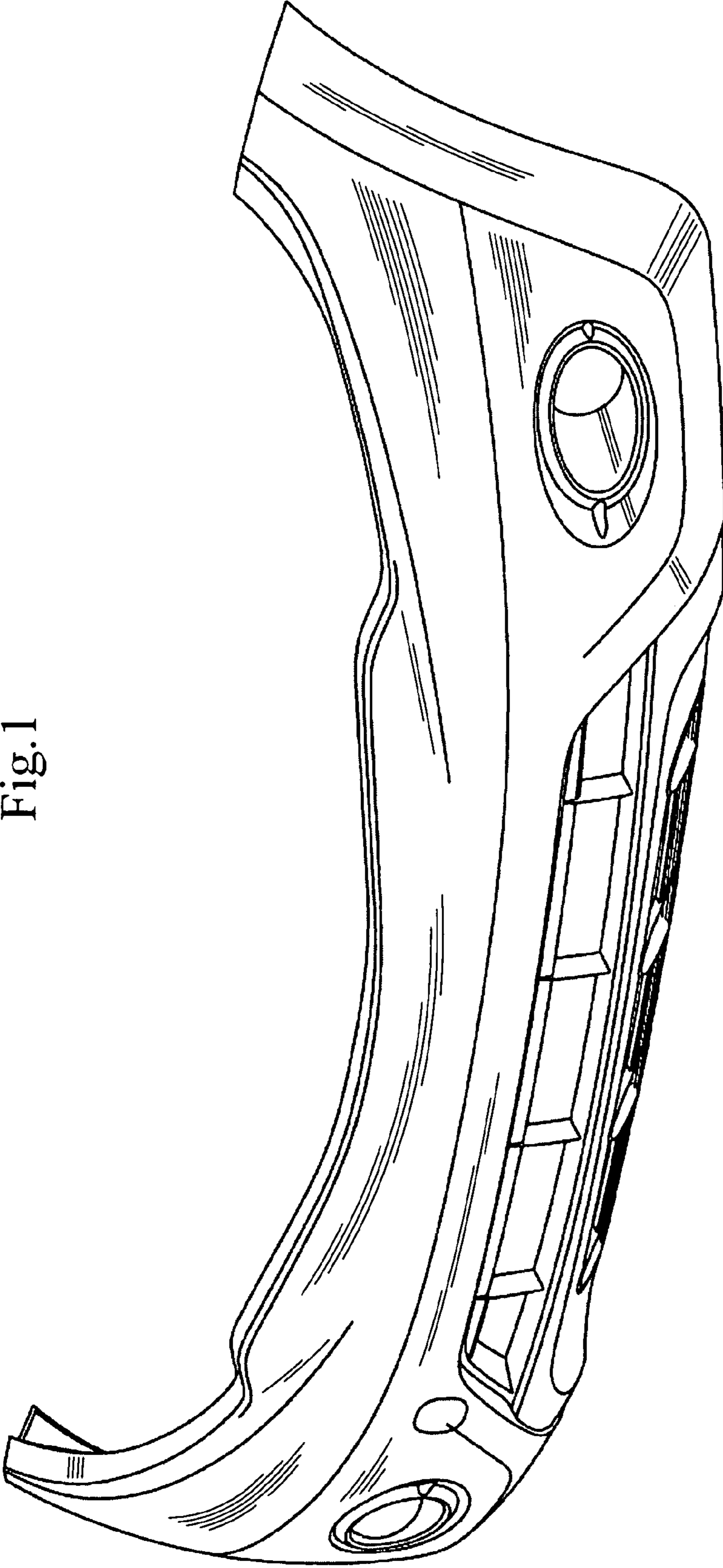


Fig.1

Fig.2

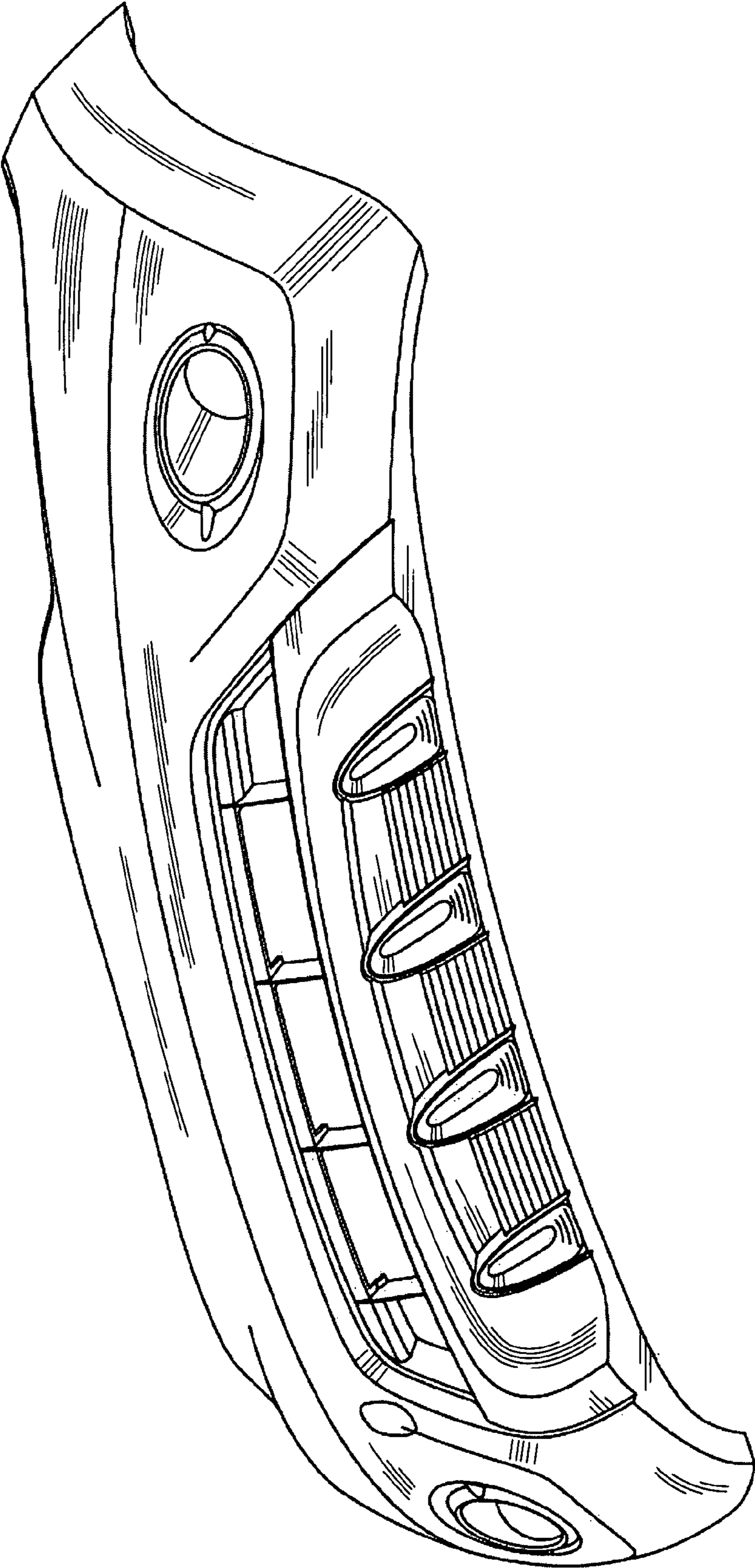


Fig.3

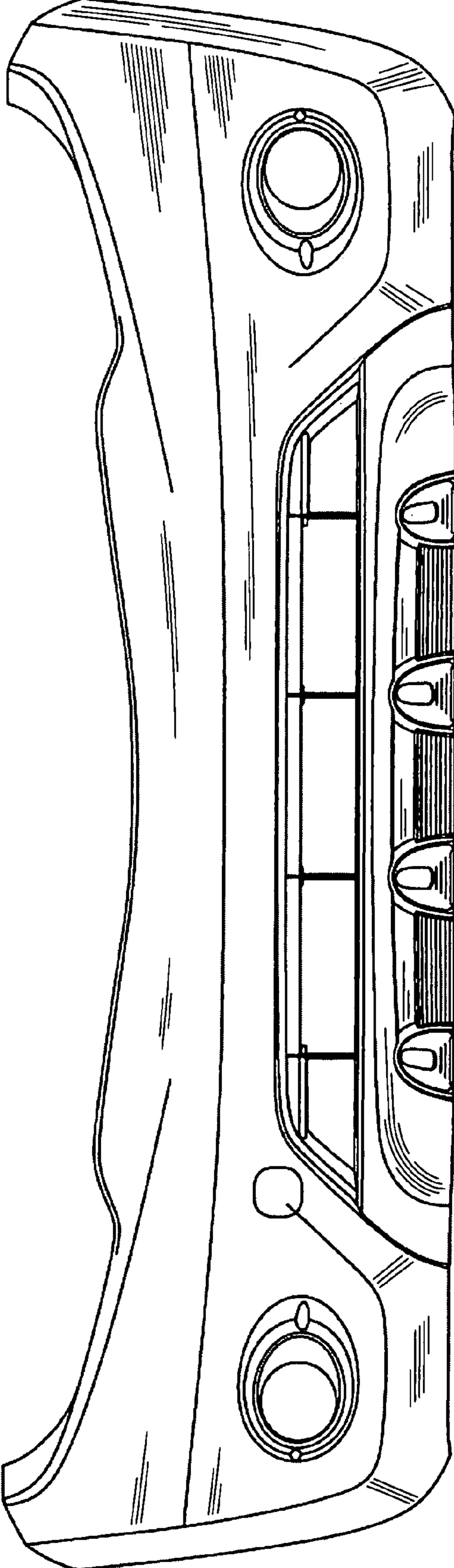
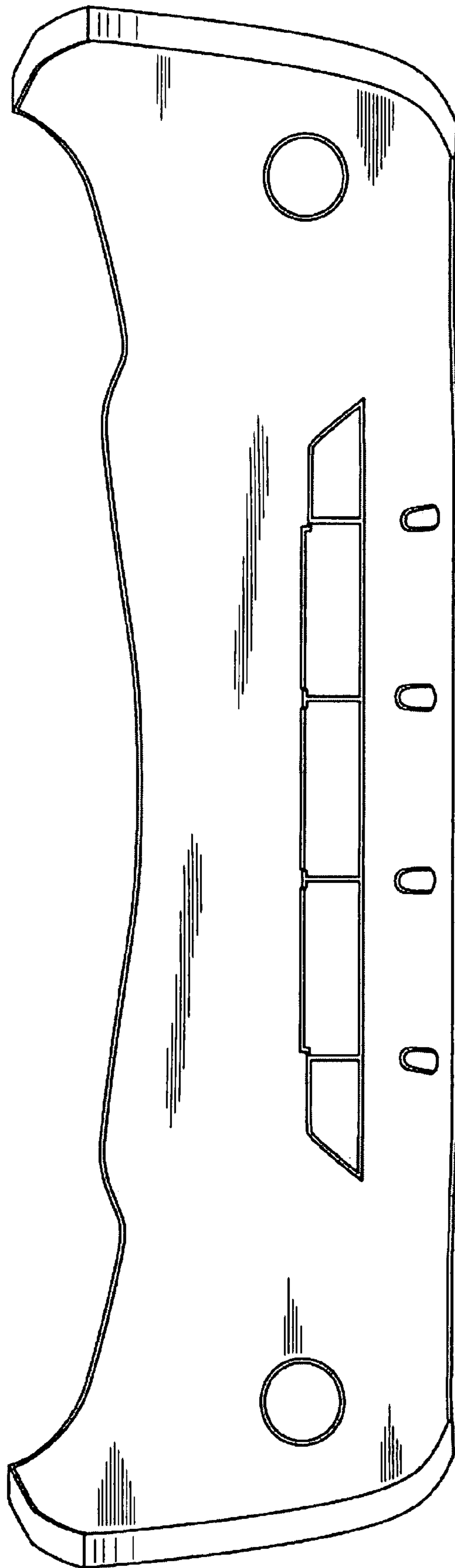


Fig.4



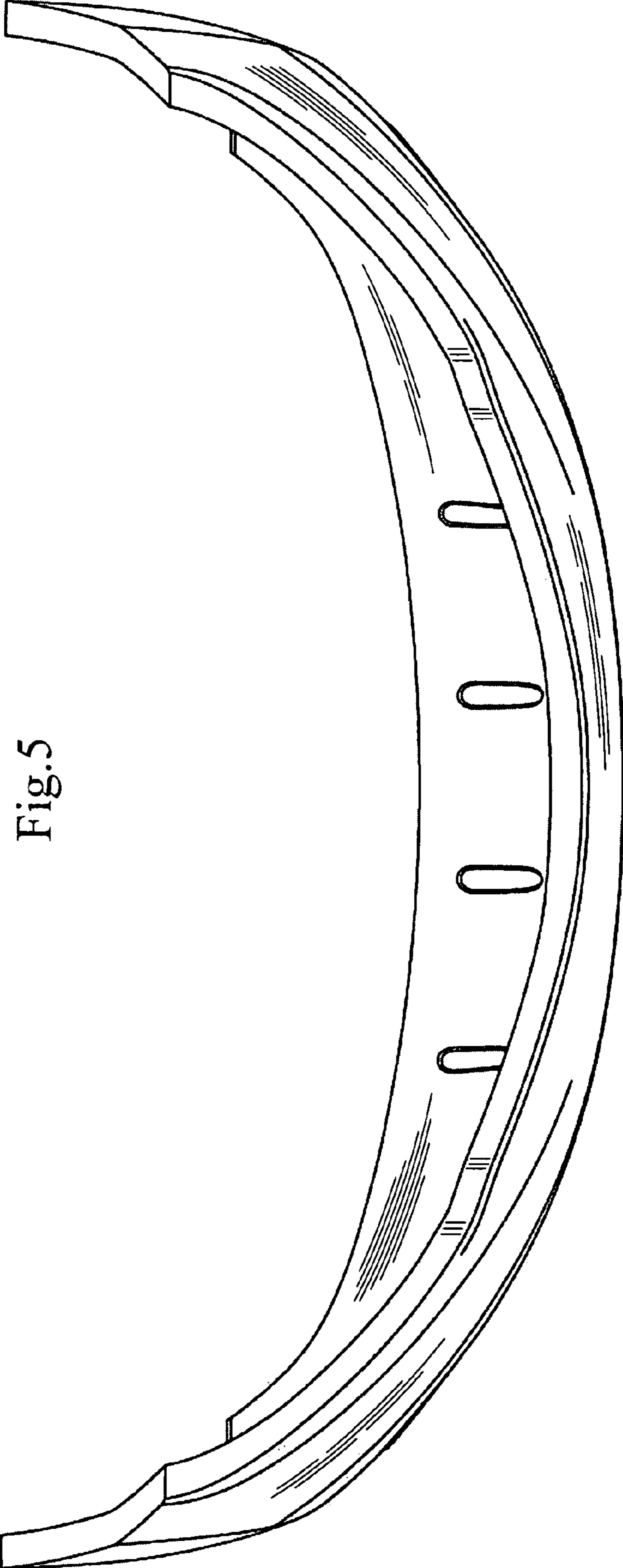


Fig.5

Fig.6

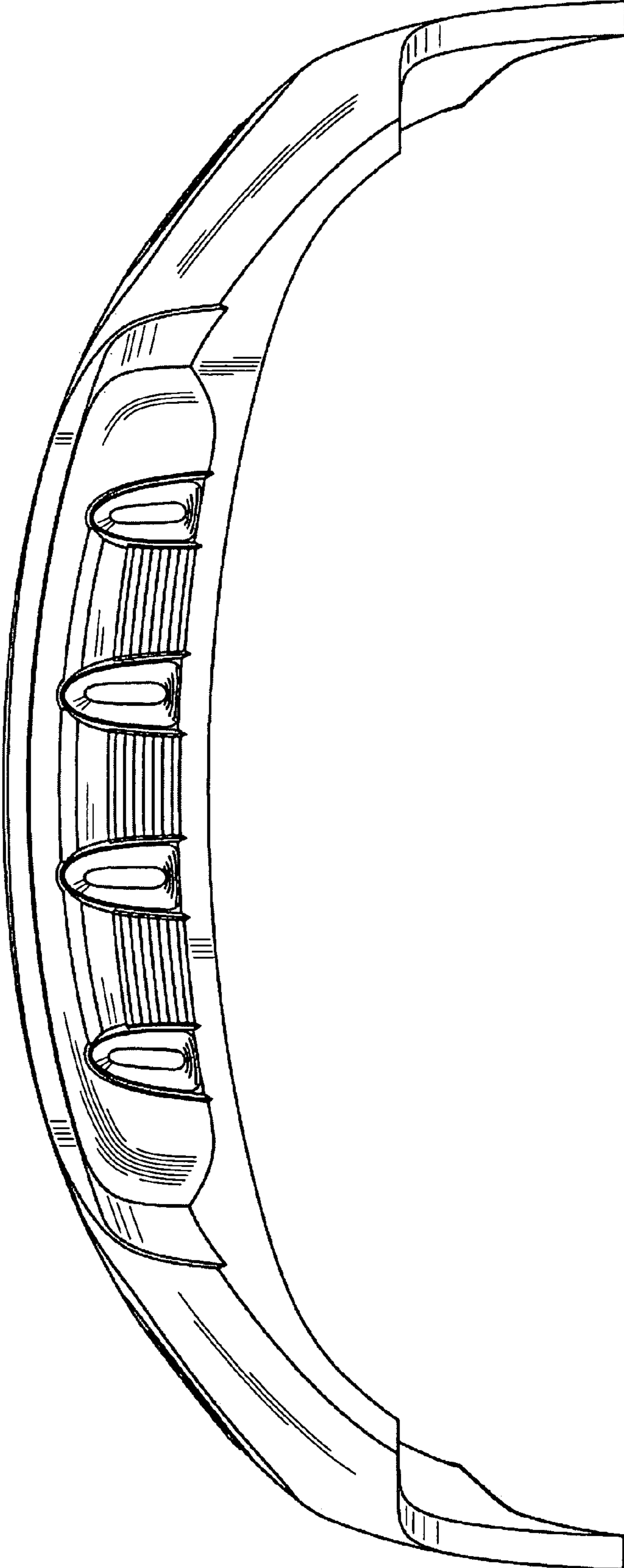


Fig.7

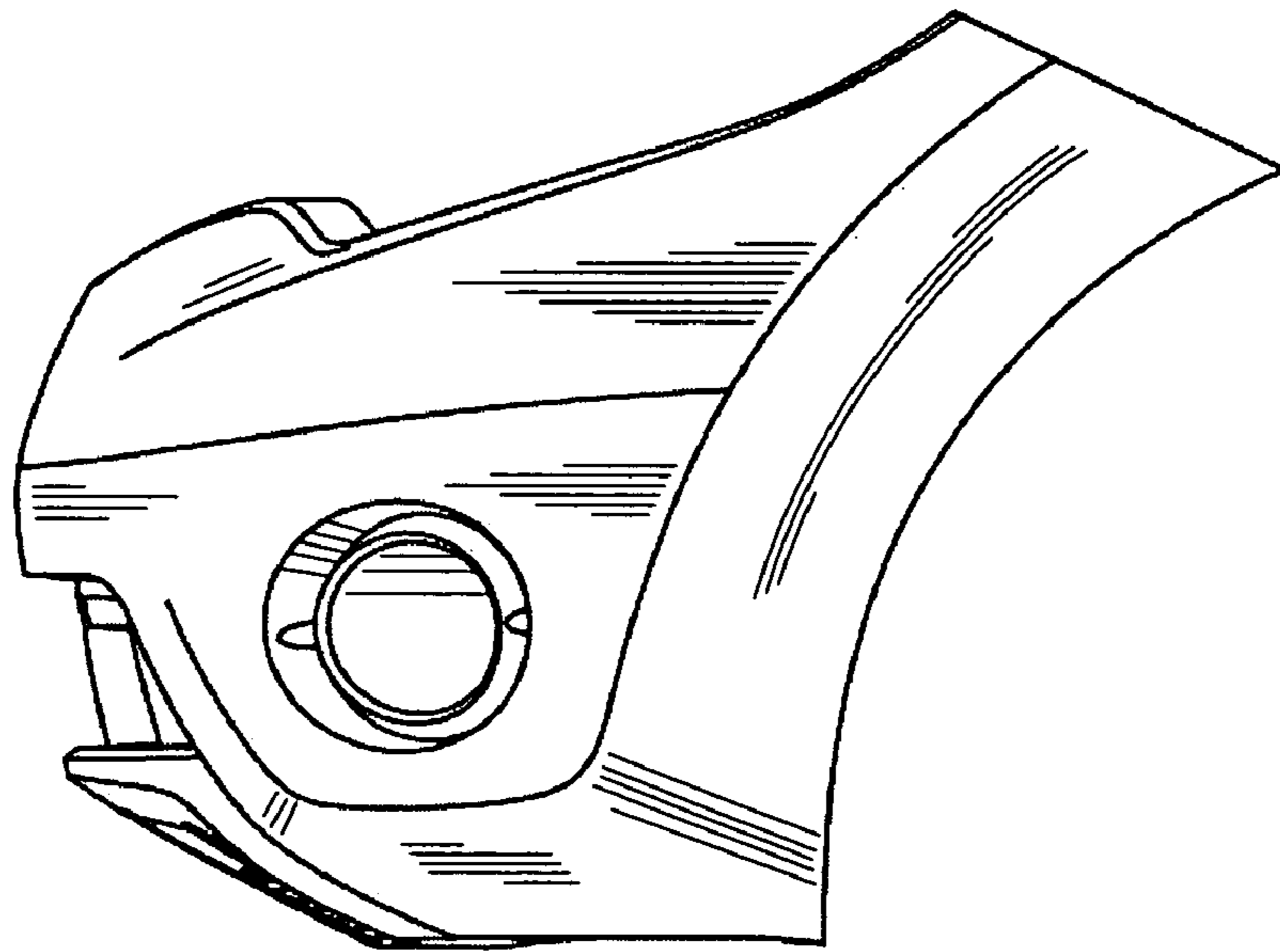


Fig.8

