

US00D570750S

(12) **United States Design Patent**  
**Sato et al.**

(10) **Patent No.:** **US D570,750 S**  
(45) **Date of Patent:** **\*\* Jun. 10, 2008**

(54) **BUMPER OF MOTOR VEHICLE**

(75) Inventors: **Youichi Sato**, Hiroshima (JP); **Dai Kimura**, Hiroshima (JP); **Hideki Nakamura**, Hiroshima (JP); **Mitsuo Yoshioka**, Hiroshima (JP)

(73) Assignee: **Mazda Motor Corporation** (JP)

(\*\*) Term: **14 Years**

(21) Appl. No.: **29/287,135**

(22) Filed: **Jul. 2, 2007**

(51) **LOC (8) Cl.** ..... **12-16**

(52) **U.S. Cl.** ..... **D12/169**

(58) **Field of Classification Search** ..... D12/90-92,  
D12/86, 169, 196, 163; 296/193.1, 181.1;  
293/102, 113, 115, 117, 120

See application file for complete search history.

(56) **References Cited**

**U.S. PATENT DOCUMENTS**

D472,856 S *	4/2003	Oishi et al. ....	D12/169
D475,958 S *	6/2003	Yokomaku ....	D12/196
D479,822 S *	9/2003	Yokomaku ....	D12/196
D492,627 S *	7/2004	Metros et al. ....	D12/169
D492,628 S *	7/2004	Bond et al. ....	D12/169
D494,898 S *	8/2004	Metros et al. ....	D12/169
D497,577 S *	10/2004	Metros et al. ....	D12/169

D509,777 S *	9/2005	Hakamata .....	D12/169
D534,462 S *	1/2007	Hiruta et al. ....	D12/169
D546,738 S *	7/2007	Kulla .....	D12/169
D560,574 S *	1/2008	Okamoto et al. ....	D12/169

**FOREIGN PATENT DOCUMENTS**

JP	D1208345	6/2004
JP	D1227742	1/2005
JP	D1274030	6/2006

\* cited by examiner

*Primary Examiner*—Melody N. Brown

(74) *Attorney, Agent, or Firm*—Studebaker & Brackett PC;  
Donald R. Studebaker

(57) **CLAIM**

The ornamental design for a bumper of motor vehicle, as shown and described.

**DESCRIPTION**

FIG. 1 is a perspective view of a bumper of motor vehicle;

FIG. 2 is a front view thereof;

FIG. 3 is a rear view thereof;

FIG. 4 is a left side view thereof, the opposite side being a mirror image of the side shown herein;

FIG. 5 is a top view thereof; and,

FIG. 6 is a bottom view thereof.

**1 Claim, 4 Drawing Sheets**

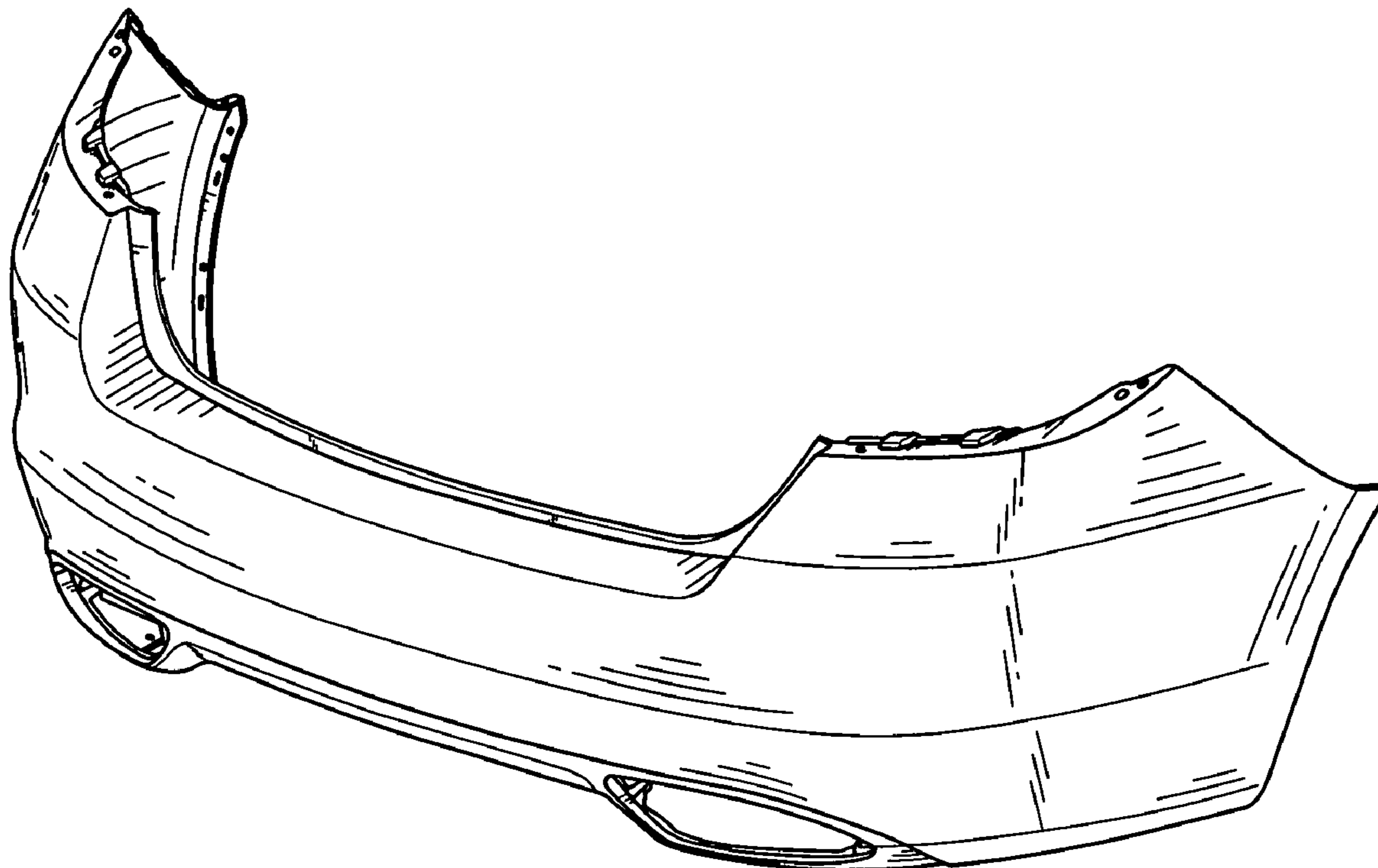


FIG.1

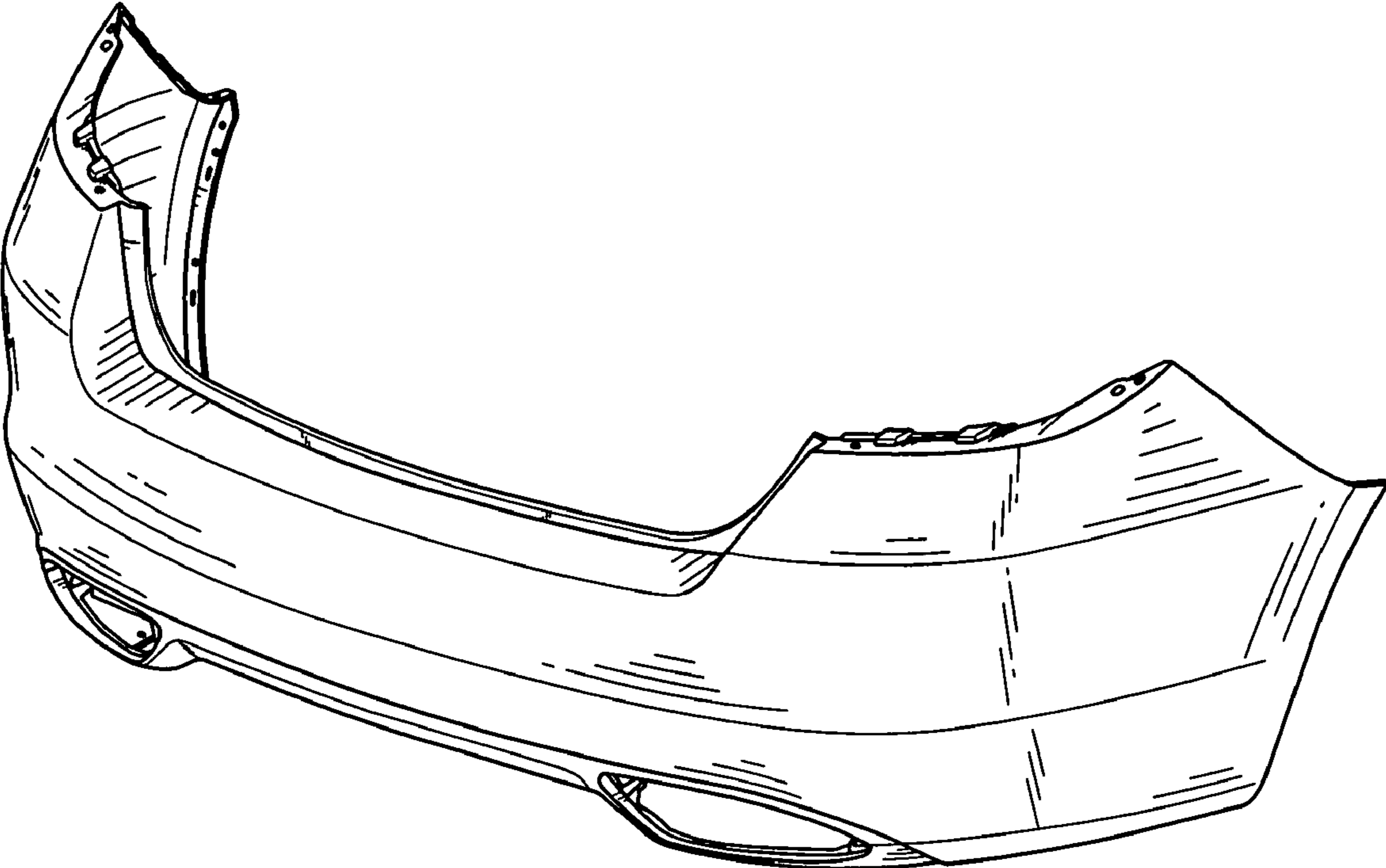


FIG.2

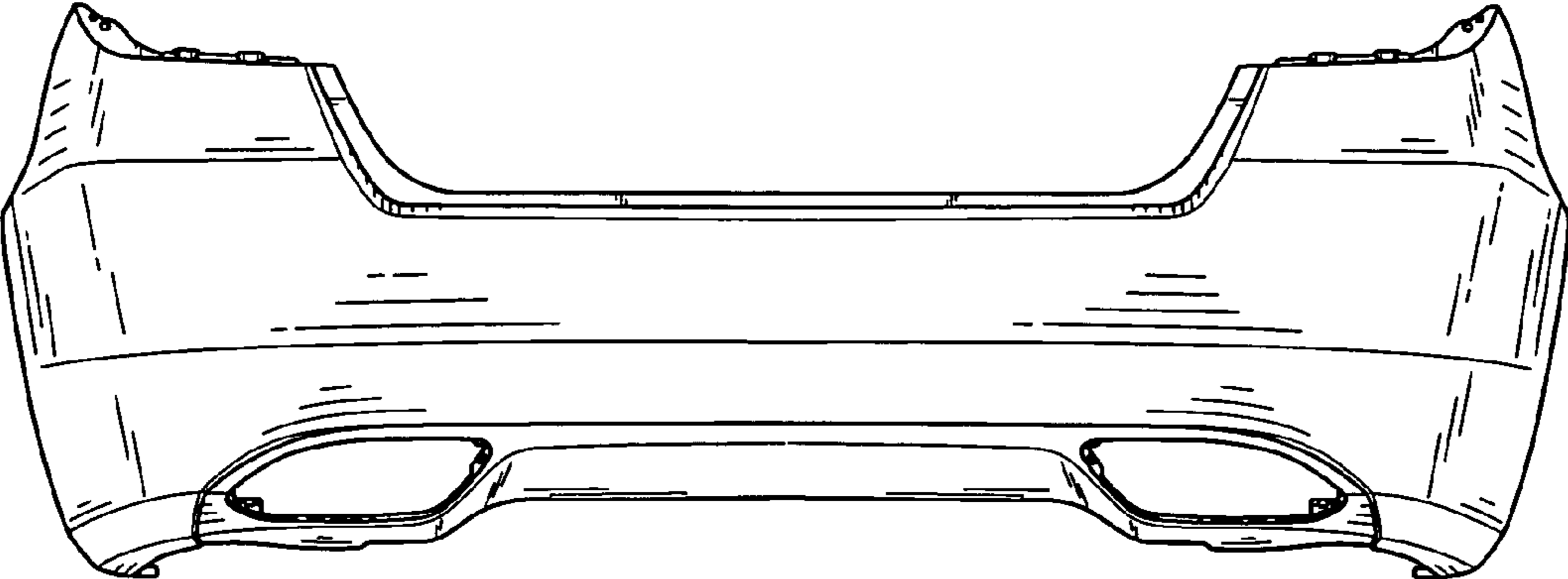


FIG.3

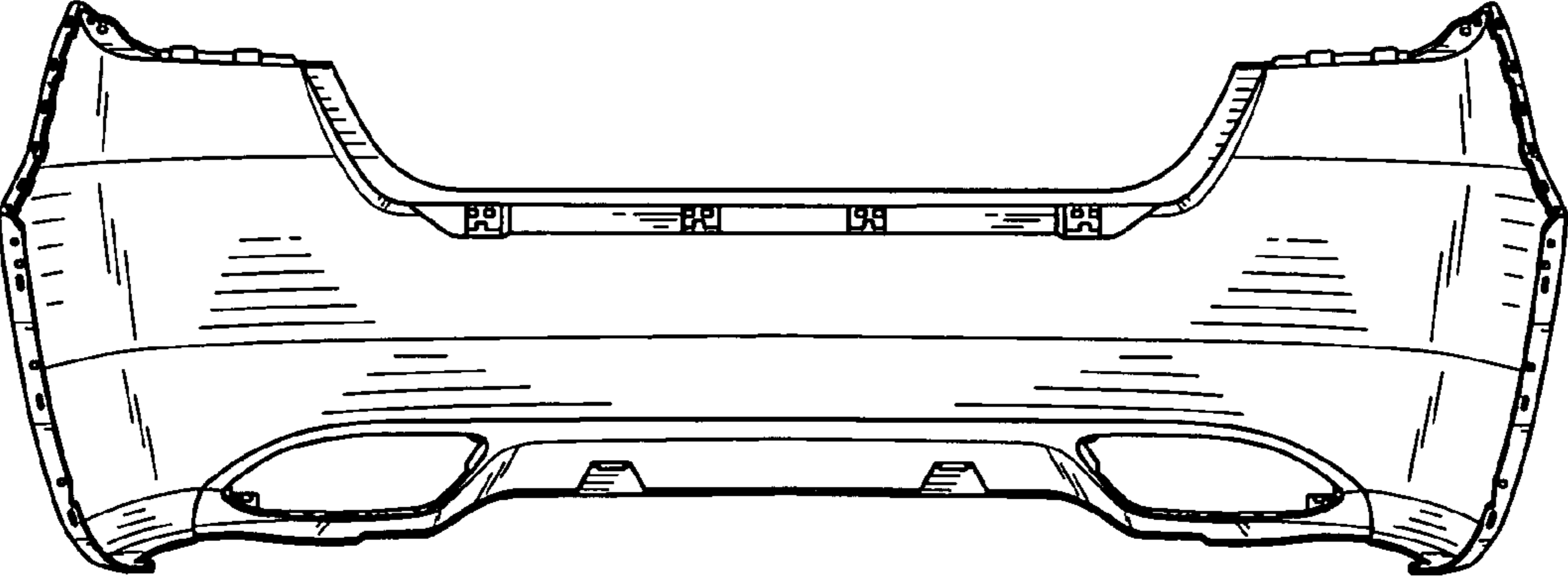


FIG.4

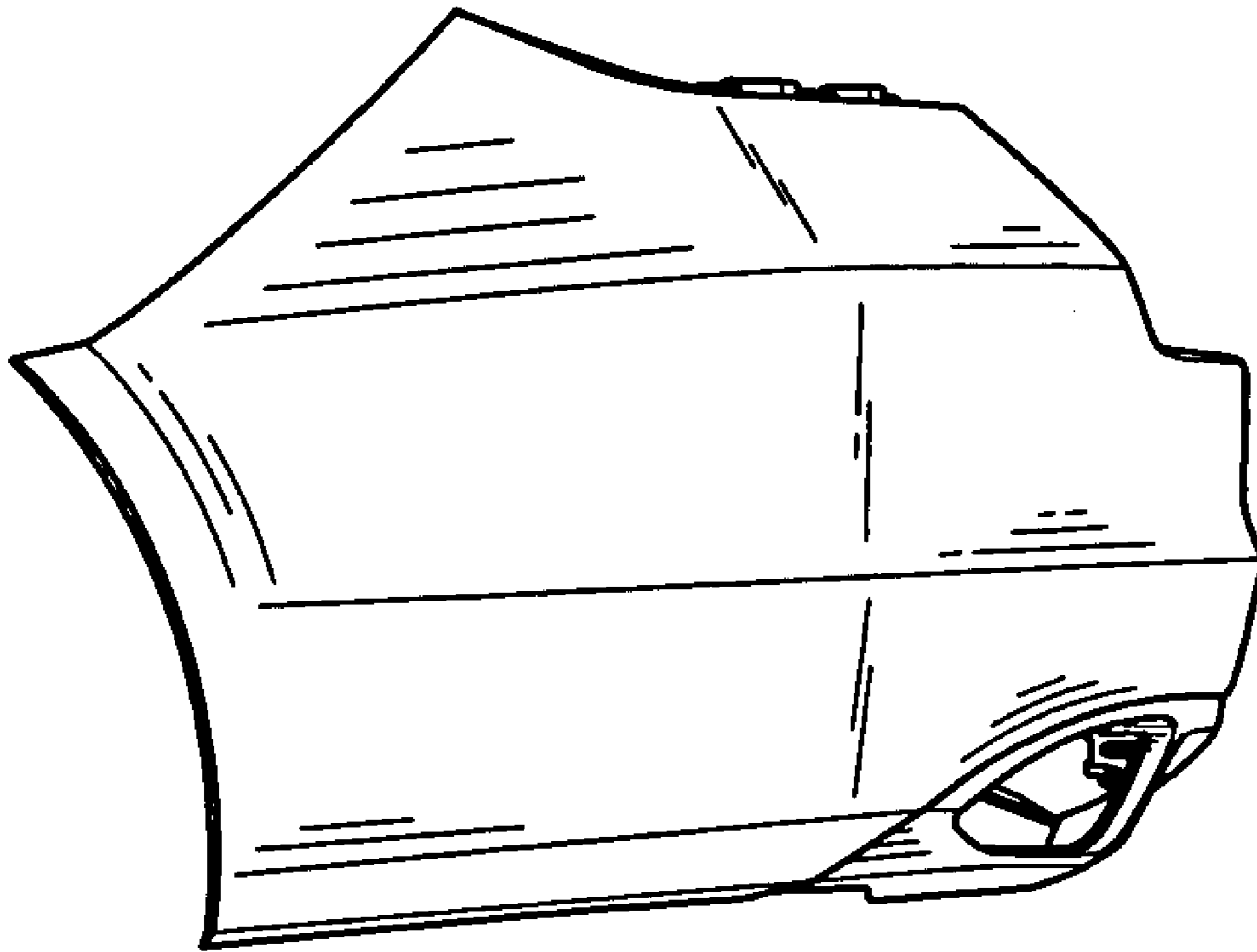


FIG.5

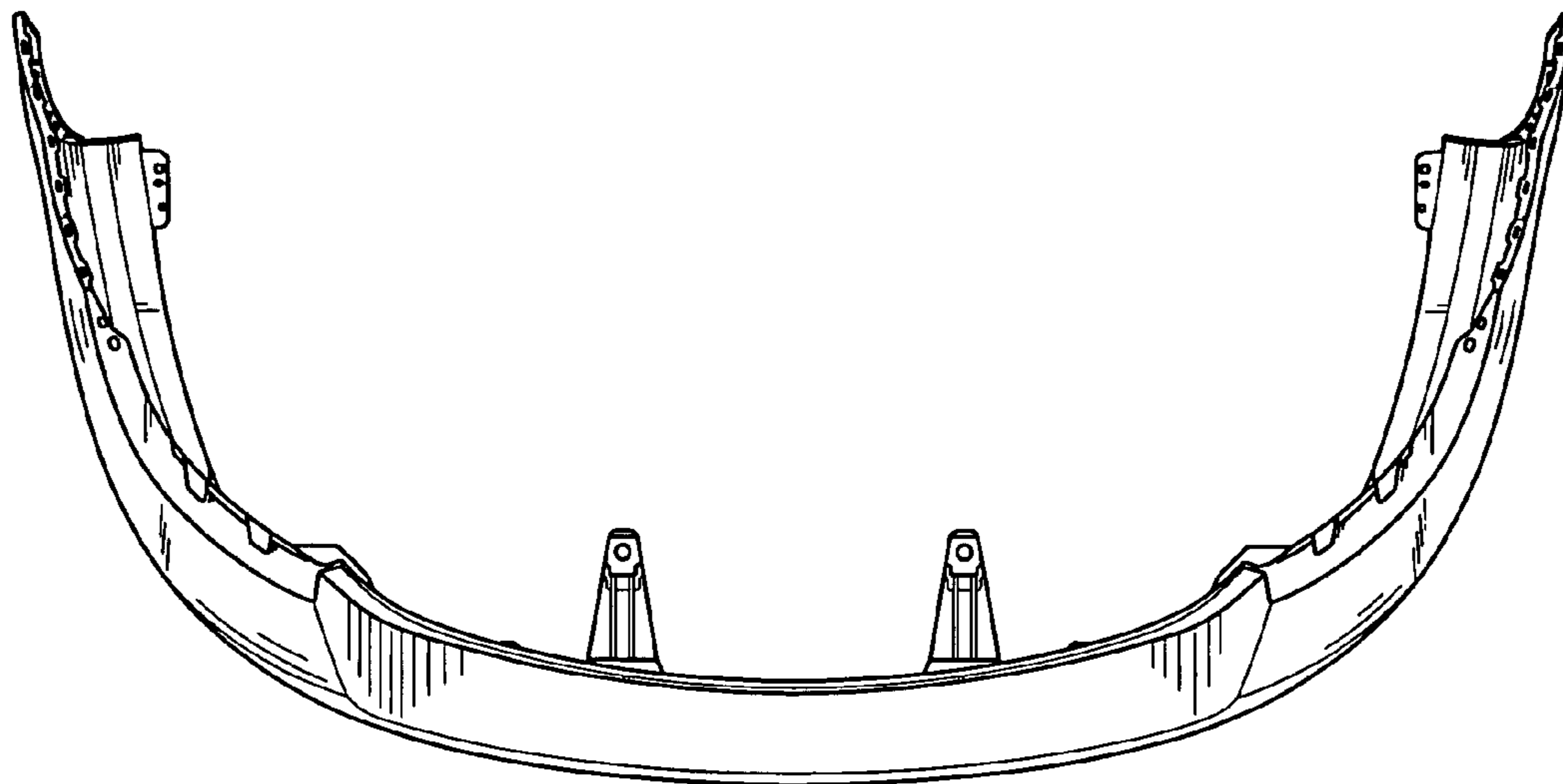


FIG.6

