



US00D570747S

(12) **United States Design Patent**
Beger

(10) **Patent No.:** **US D570,747 S**

(45) **Date of Patent:** **** Jun. 10, 2008**

(54) **STROLLER**

(76) Inventor: **Udo Beger**, Am Industriegleis 9,
D-84030 Ergolding (DE)

(**) Term: **14 Years**

(21) Appl. No.: **29/241,883**

(22) Filed: **Nov. 1, 2005**

(51) **LOC (8) Cl.** **12-12**

(52) **U.S. Cl.** **D12/129; D12/132**

(58) **Field of Classification Search** D12/128-133,
D12/85; 267/5; 135/65-67, 74, 912; 280/62,
280/647-650, 29, 200, 47.38, 250.1, 259,
280/642, 658; 297/DIG. 4; 296/65.03, 65.04;
224/409; D6/364

See application file for complete search history.

(56) **References Cited**

U.S. PATENT DOCUMENTS

6,318,750 B1 *	11/2001	Lan	280/642
D456,319 S *	4/2002	Yeh	D12/129
D463,762 S *	10/2002	Everett	D12/129
6,561,537 B1 *	5/2003	Chen	280/648
6,739,616 B2 *	5/2004	Lin	280/642
D498,714 S *	11/2004	Chou	D12/129
D506,417 S *	6/2005	Liao	D12/129

D528,048 S * 9/2006 Lin et al. D12/129

* cited by examiner

Primary Examiner—Charles A. Rademaker

Assistant Examiner—Charles D Hanson

(74) *Attorney, Agent, or Firm*—Collard & Roe, P.C.

(57) **CLAIM**

The ornamental design for a stroller, as shown and described.

DESCRIPTION

FIG. 1 is a perspective view of a stroller, showing my new design;

FIG. 2 is a front perspective view thereof;

FIG. 3 is a top perspective view thereof;

FIG. 4 is a side elevation view of a modified embodiment of the design shown in FIGS. 1-3;

FIG. 5 is a front elevation view thereof;

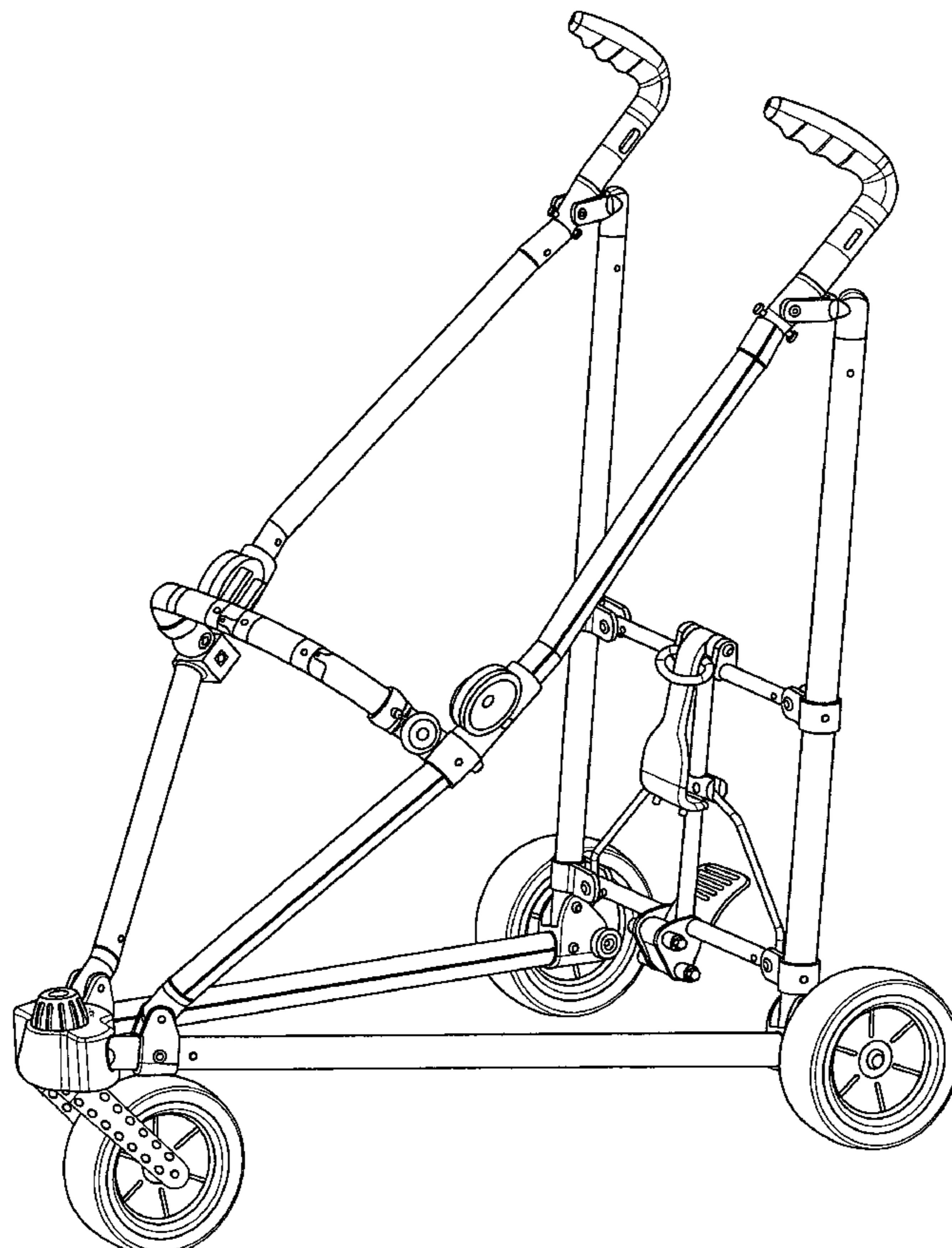
FIG. 6 is a top plan view thereof;

FIG. 7 is a side perspective view of the design shown in FIGS. 4-6 in a closed condition;

FIG. 8 is a side elevation view thereof; and,

FIG. 9 is an end perspective view thereof.

1 Claim, 9 Drawing Sheets



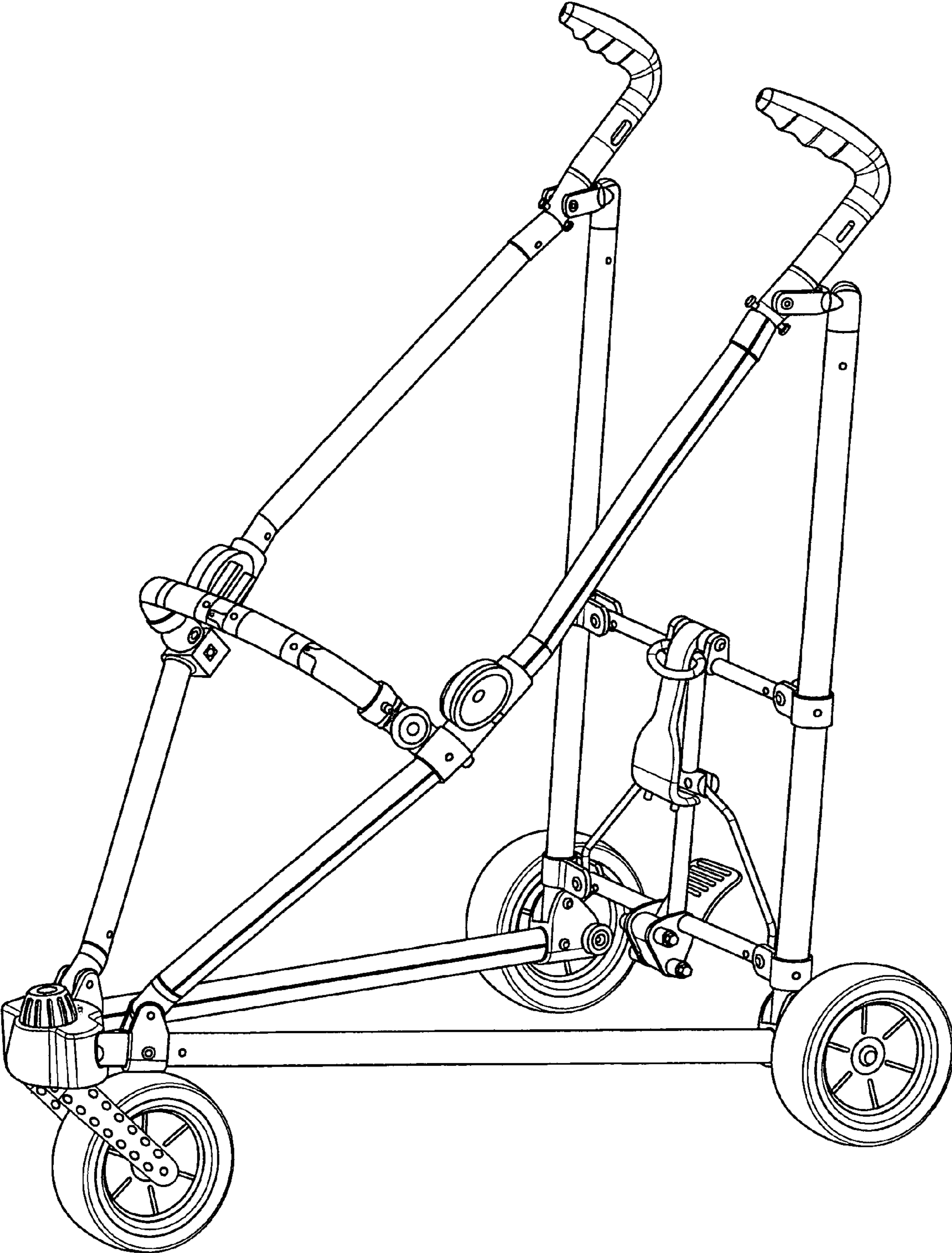


FIG. 1

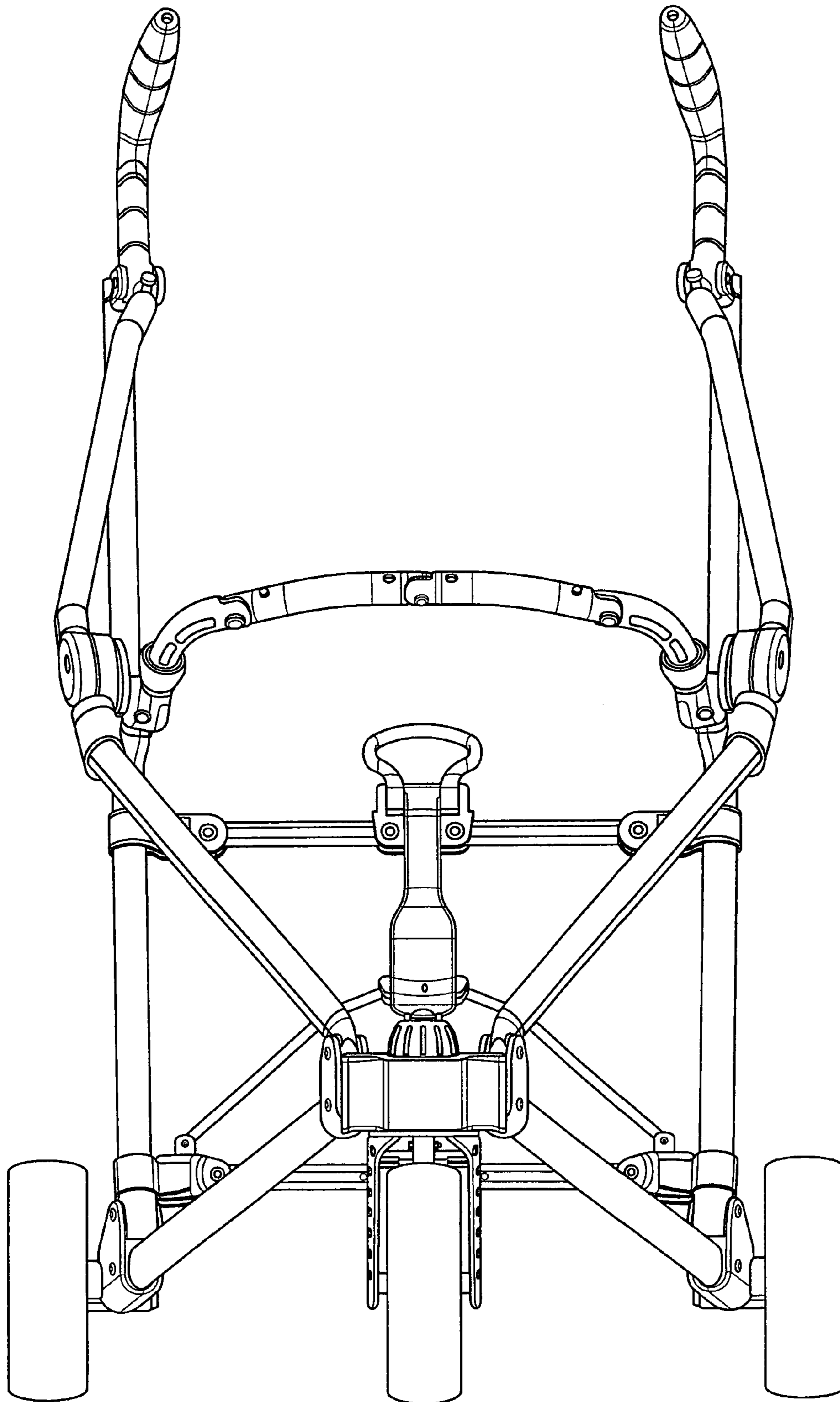


FIG. 2

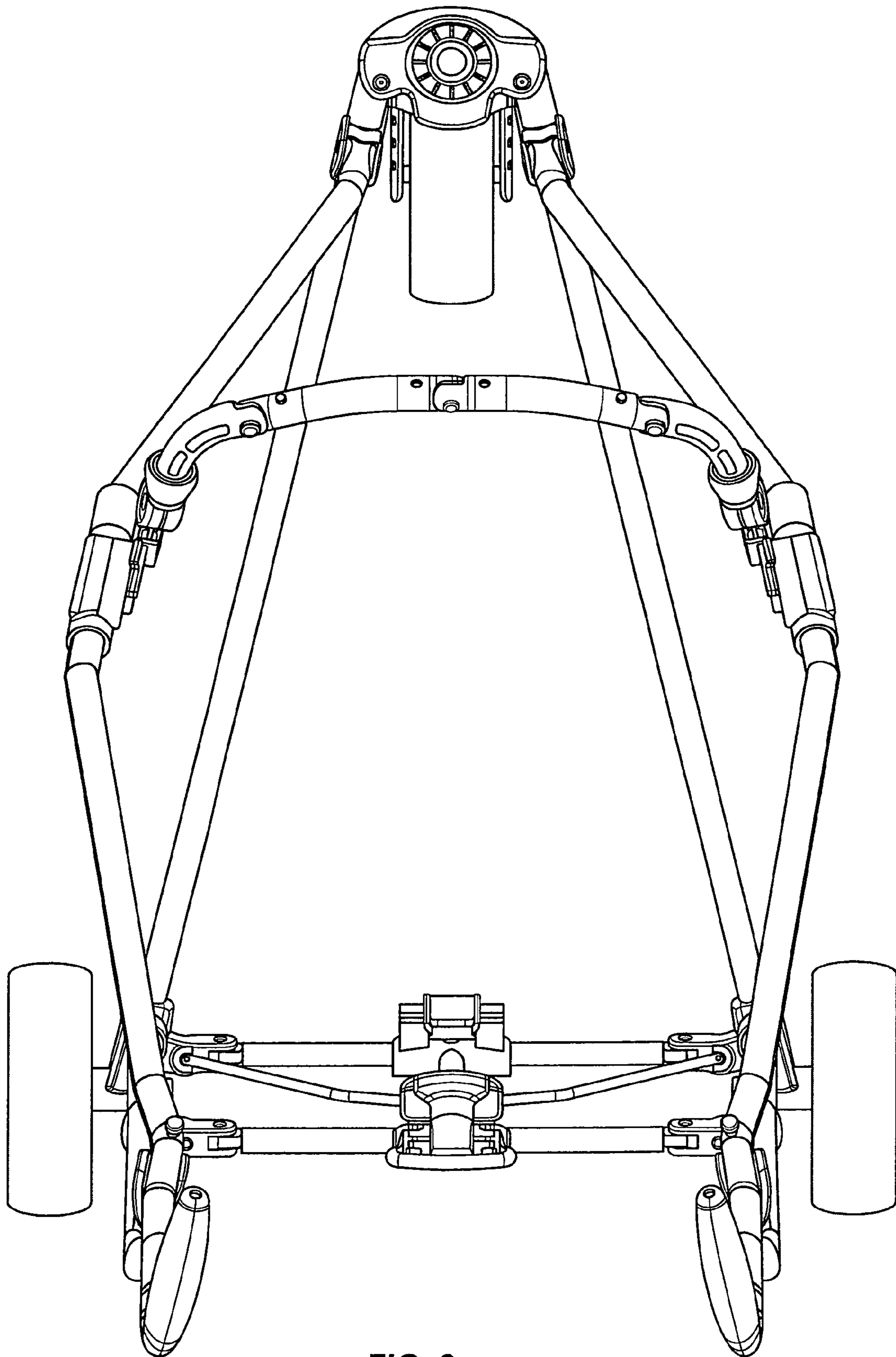


FIG. 3

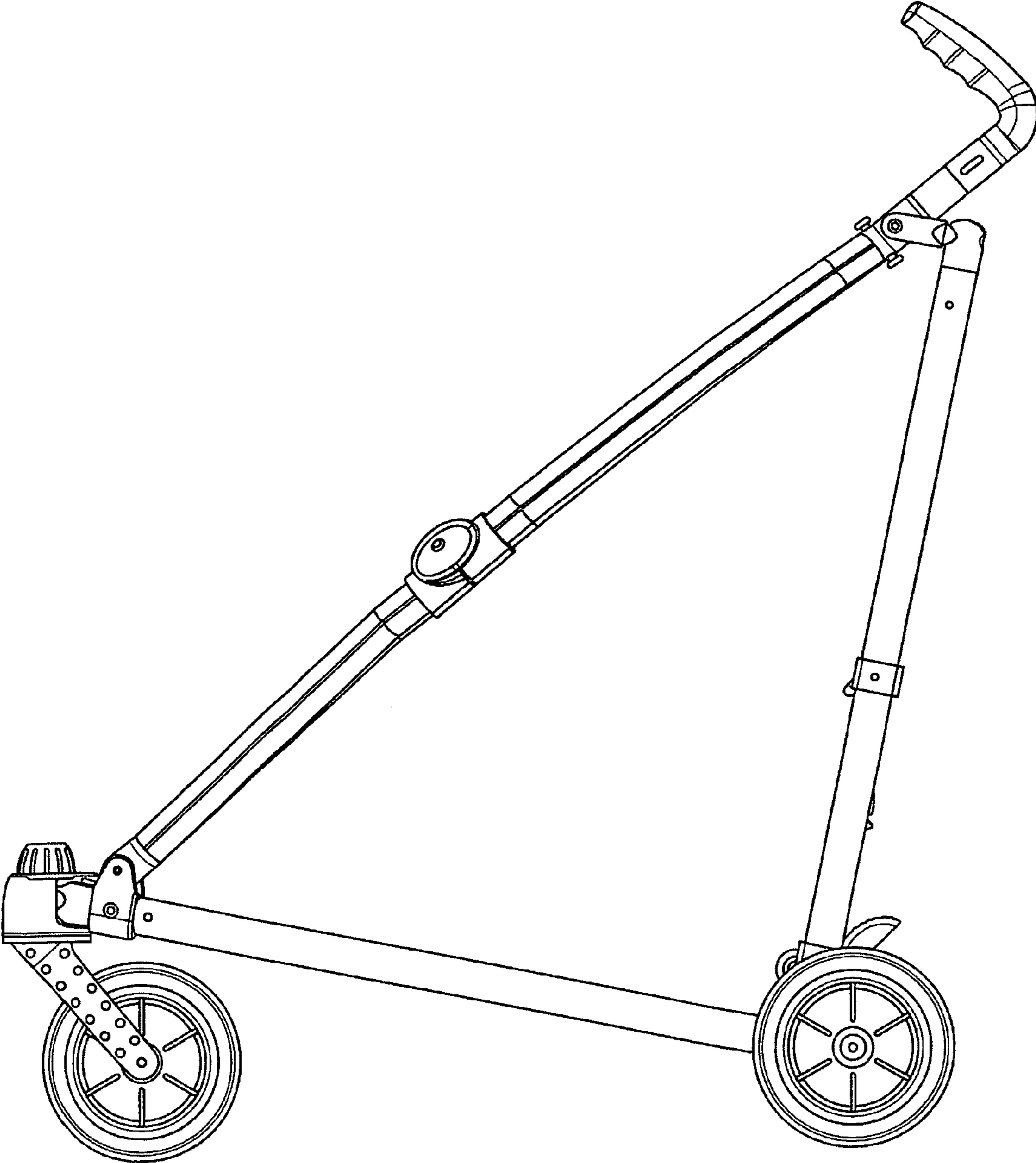


FIG. 4

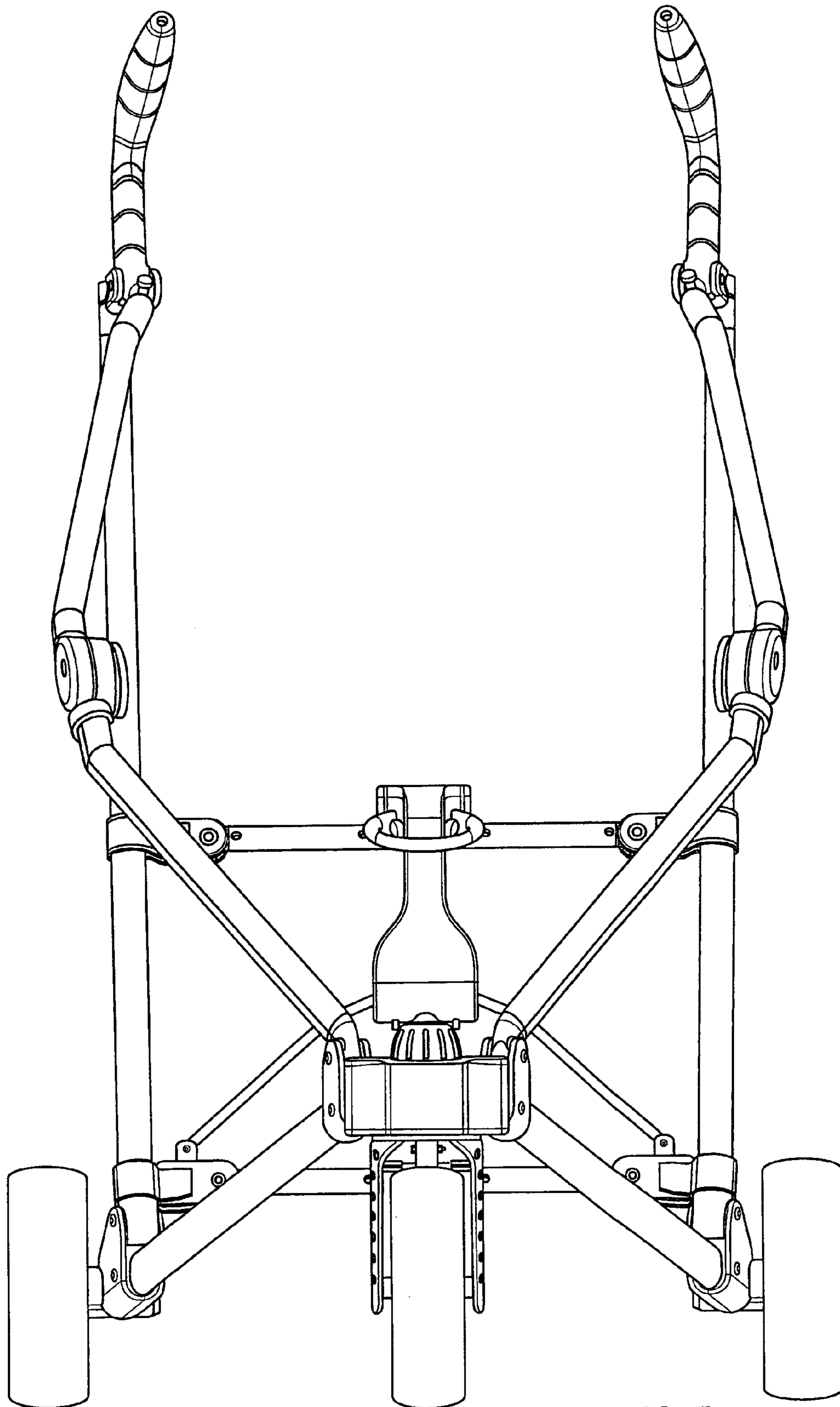


FIG. 5

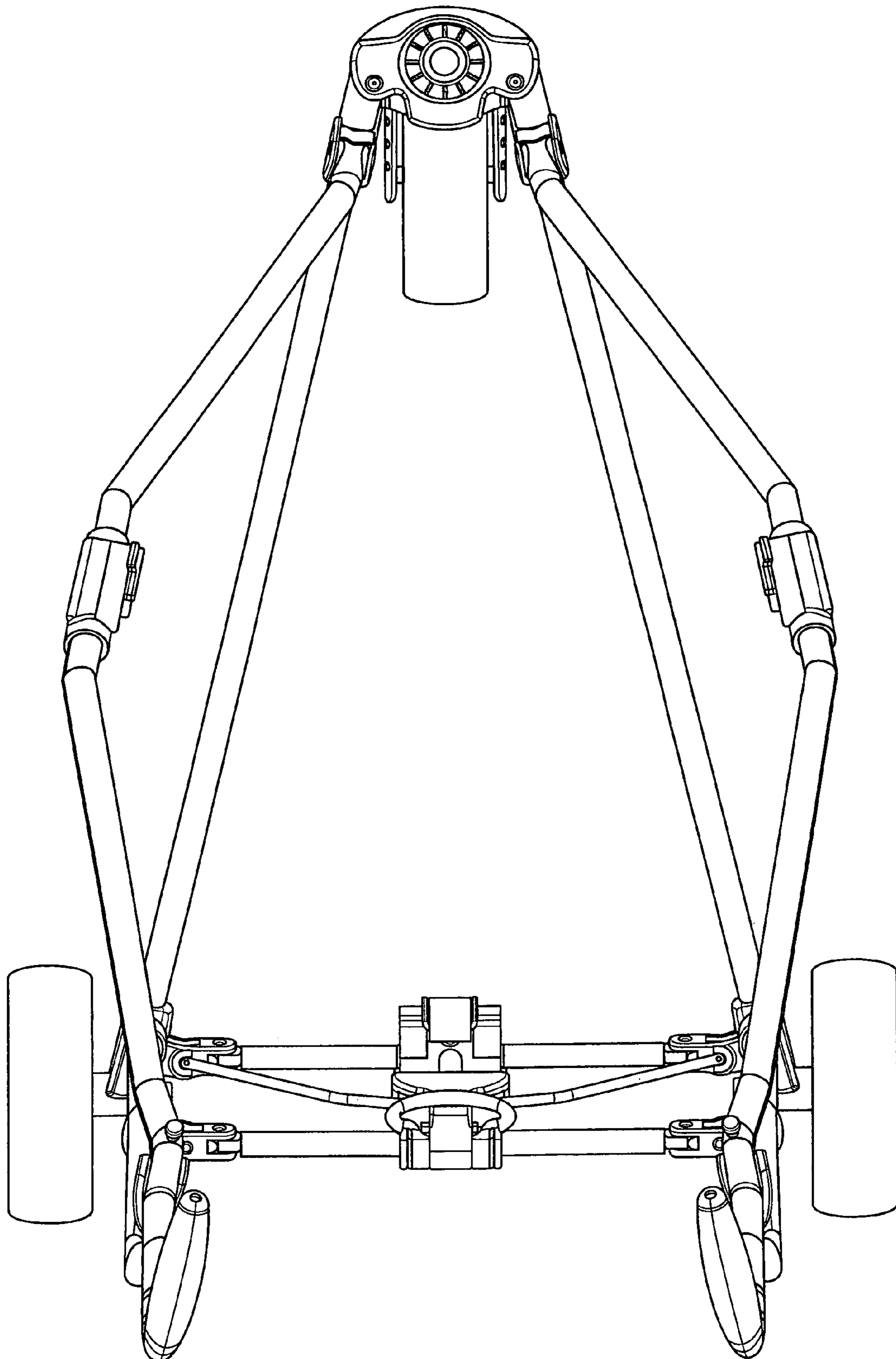


FIG. 6

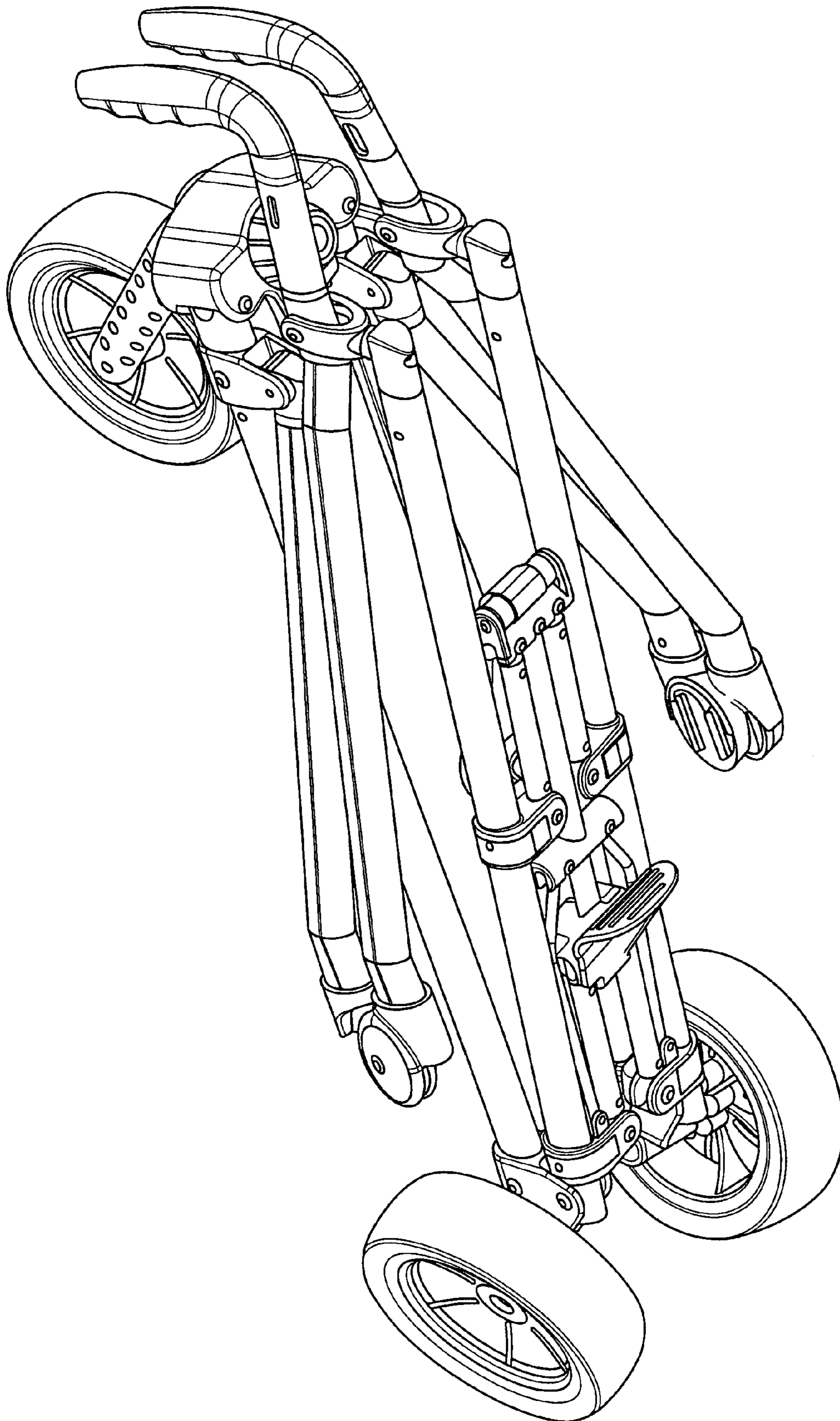


FIG. 7

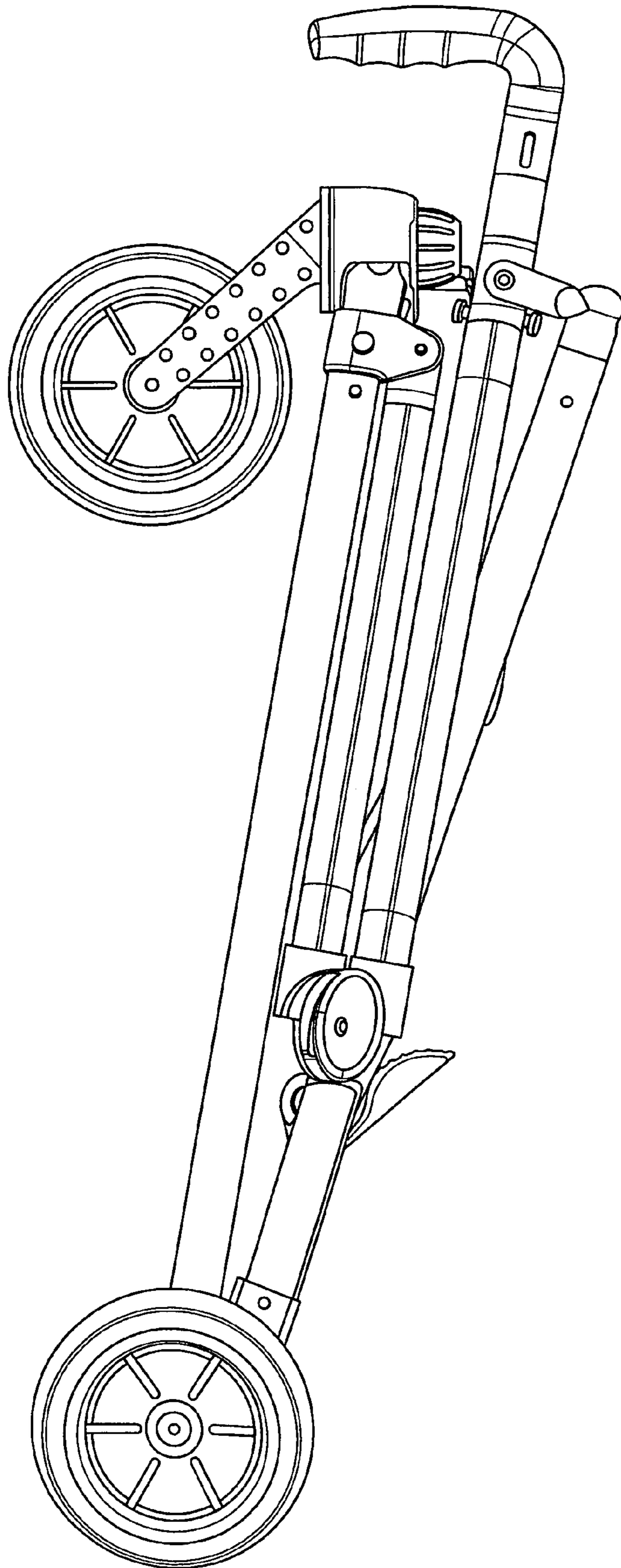


FIG. 8

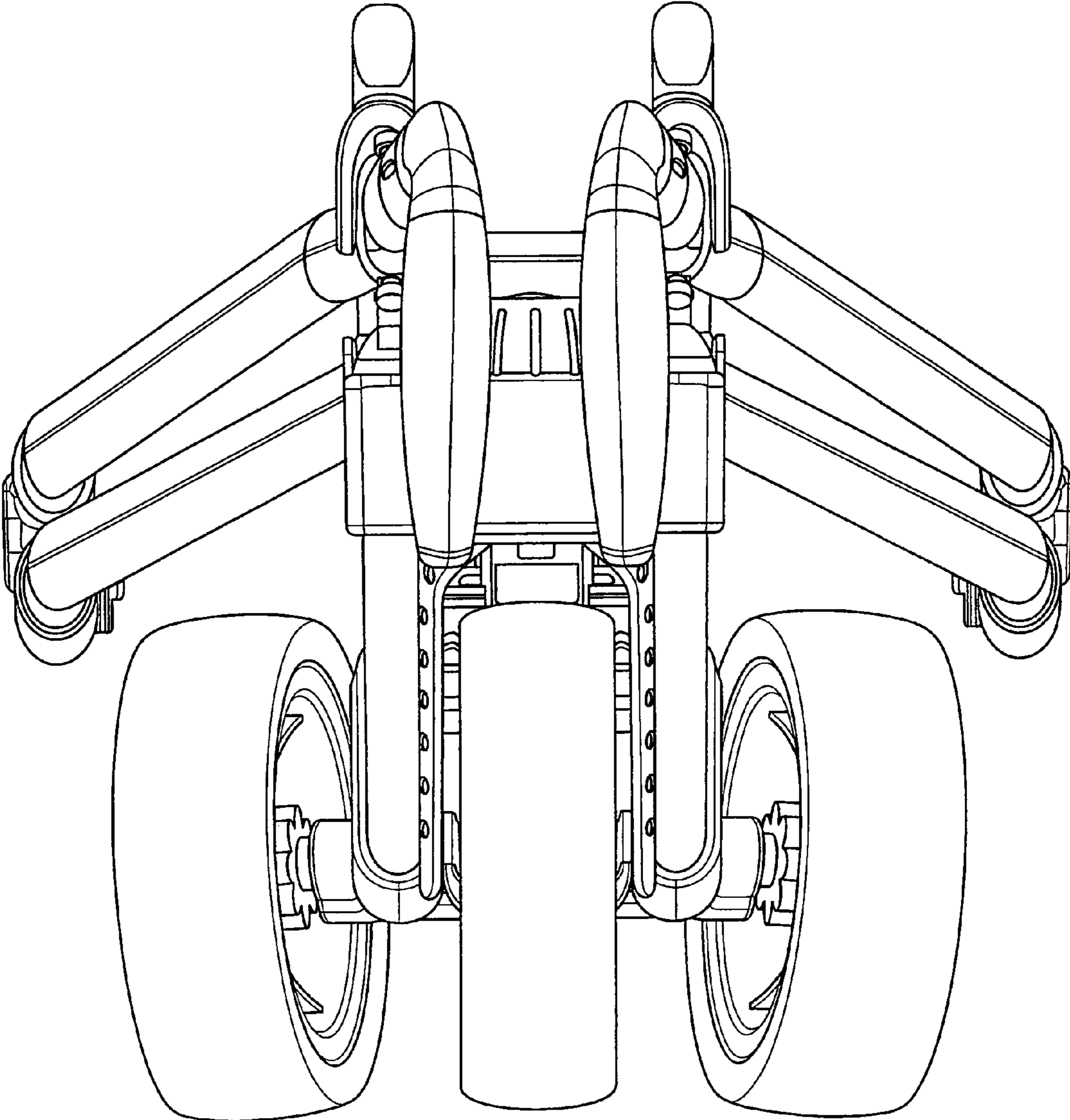


FIG. 9