

US00D570739S

(12) **United States Design Patent**
Emoto et al.

(10) **Patent No.: US D570,739 S**
(45) **Date of Patent: ** Jun. 10, 2008**

(54) **TRUCK CAB**

D343,597 S * 1/1994 Meryman et al. D12/97
D344,472 S * 2/1994 Savio D12/96
D408,331 S * 4/1999 Sacco et al. D12/96

(75) Inventors: **Seiji Emoto**, Fujisawa (JP); **Takahiro Uematsu**, Fujisawa (JP); **Hiroto Wakasugi**, Fujisawa (JP); **Atsutomo Serizawa**, Fujisawa (JP)

(Continued)

(73) Assignee: **Isuzu Motors Limited**, Tokyo (JP)

(**) Term: **14 Years**

(21) Appl. No.: **29/266,769**

(22) Filed: **Sep. 28, 2006**

(30) **Foreign Application Priority Data**

Sep. 5, 2006 (CN) 2006 3 0136764

(51) **LOC (8) Cl.** **12-08**

(52) **U.S. Cl.** **D12/96**

(58) **Field of Classification Search** D12/1,
D12/16, 85-88, 90-93, 96, 98, 95, 99, 109,
D12/112, 117; D21/424, 433, 434; 296/181.1,
296/181.3, 185.1, 183.1, 37.6, 183, 24.1,
296/181.5, 186.1, 187.1, 187.13, 190.08,
296/203.1, FOR. 111, FOR. 115; 180/233,
180/311, 89.1

See application file for complete search history.

(56) **References Cited**

U.S. PATENT DOCUMENTS

D205,937 S * 10/1966 Ornas et al. D12/96
4,351,554 A * 9/1982 Miller 296/190.02
4,353,587 A * 10/1982 Brenholt 296/180.3
4,366,530 A * 12/1982 Milhous 362/485
D271,864 S * 12/1983 Kangas D12/96
4,462,628 A * 7/1984 Gregg 296/180.3
D276,710 S * 12/1984 Brunger et al. D12/96
D286,031 S * 10/1986 Breitschwerdt et al. D12/96
D317,425 S * 6/1991 Vysotsky et al. D12/97
5,078,448 A * 1/1992 Selzer et al. 296/180.2

OTHER PUBLICATIONS

U.S. Appl. No. 29/266,770, filed Sep. 28, 2006, Truck Cab.
U.S. Appl. No. 29/266,771, filed Sep. 28, 2006, Truck Cab.
U.S. Appl. No. 29/266,772, filed Sep. 28, 2006, Truck Cab.

Primary Examiner—Sandra Snapp

(74) *Attorney, Agent, or Firm*—Howrey LLP

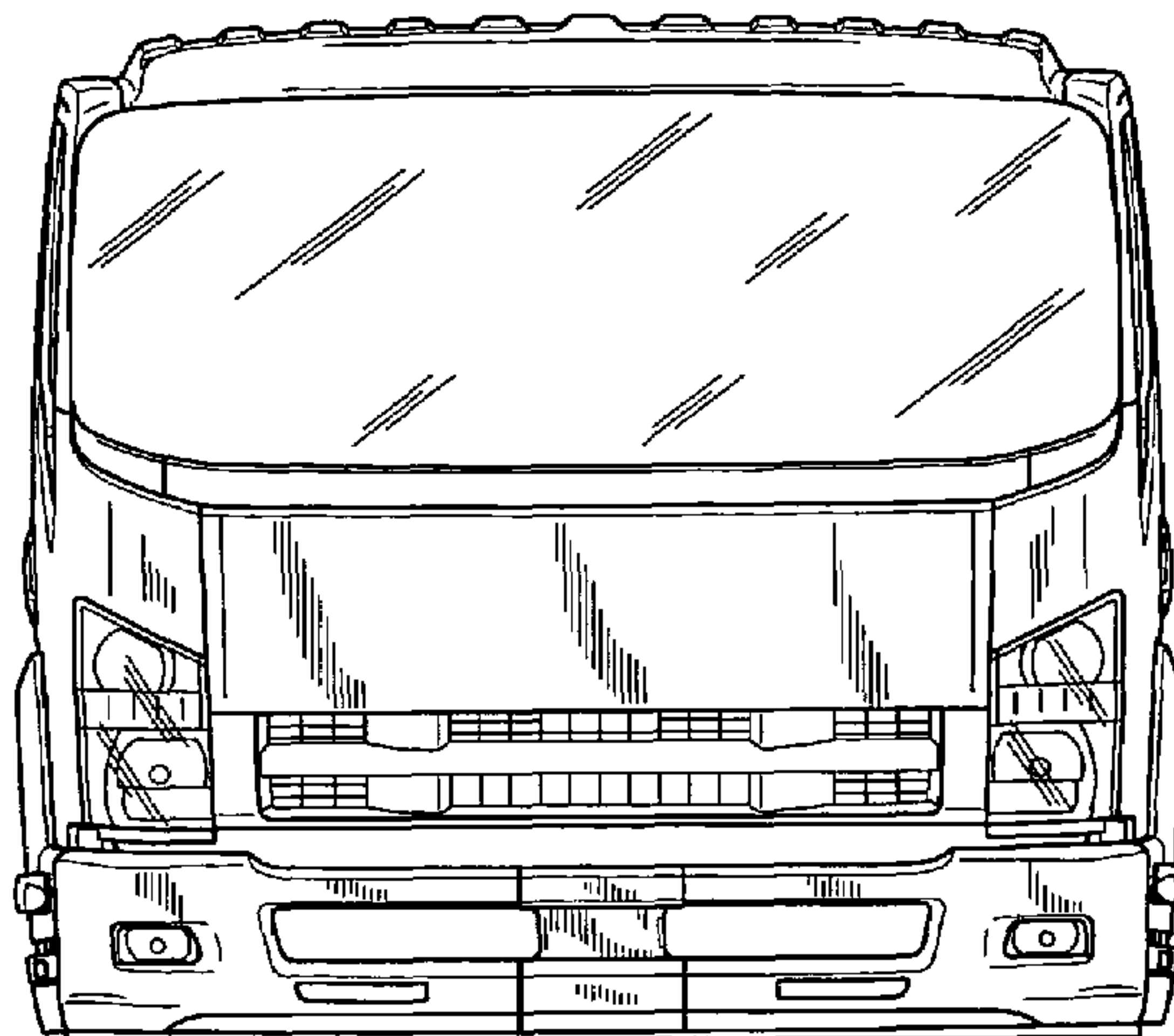
(57) **CLAIM**

The ornamental design for a truck cab, as shown and described.

DESCRIPTION

FIG. 1 is a front view showing our new design.
FIG. 2 is a rear view thereof.
FIG. 3 is a right side view thereof, a left side view being a mirror image thereof.
FIG. 4 is a top plan view thereof.
FIG. 5 is a bottom view thereof.
FIG. 6 is a front and right side perspective view thereof.
FIG. 7 is a rear and right side perspective view thereof.
FIG. 8 is a rear and right side perspective view thereof, the windows and headlights of the present design shown in broken lines for illustrative purposes only and forming no part of the claimed design; and,
FIG. 9 is a front and right side perspective view thereof, the windows and headlights of the present design shown in broken lines for illustrative purposes only and forming no part of the claimed design.

1 Claim, 5 Drawing Sheets



US D570,739 S

Page 2

U.S. PATENT DOCUMENTS

D411,142 S *	6/1999	Sacco et al.	D12/96	D423,411 S *	4/2000	Takei et al.	D12/93
D412,301 S *	7/1999	Dirks	D12/96	D423,412 S *	4/2000	Sacco et al.	D12/96
D412,463 S *	8/1999	Sacco et al.	D12/96	D425,826 S *	5/2000	Hellhake et al.	D12/96
D412,683 S *	8/1999	Sacco et al.	D12/96	D466,837 S *	12/2002	Buring et al.	D12/93
D416,829 S *	11/1999	Sacco et al.	D12/96	D540,218 S *	4/2007	Sekiguchi	D12/96
D422,534 S *	4/2000	Hellhake et al.	D12/96	D540,219 S *	4/2007	Oka	D12/96
D422,944 S *	4/2000	Hellhake et al.	D12/96				

* cited by examiner

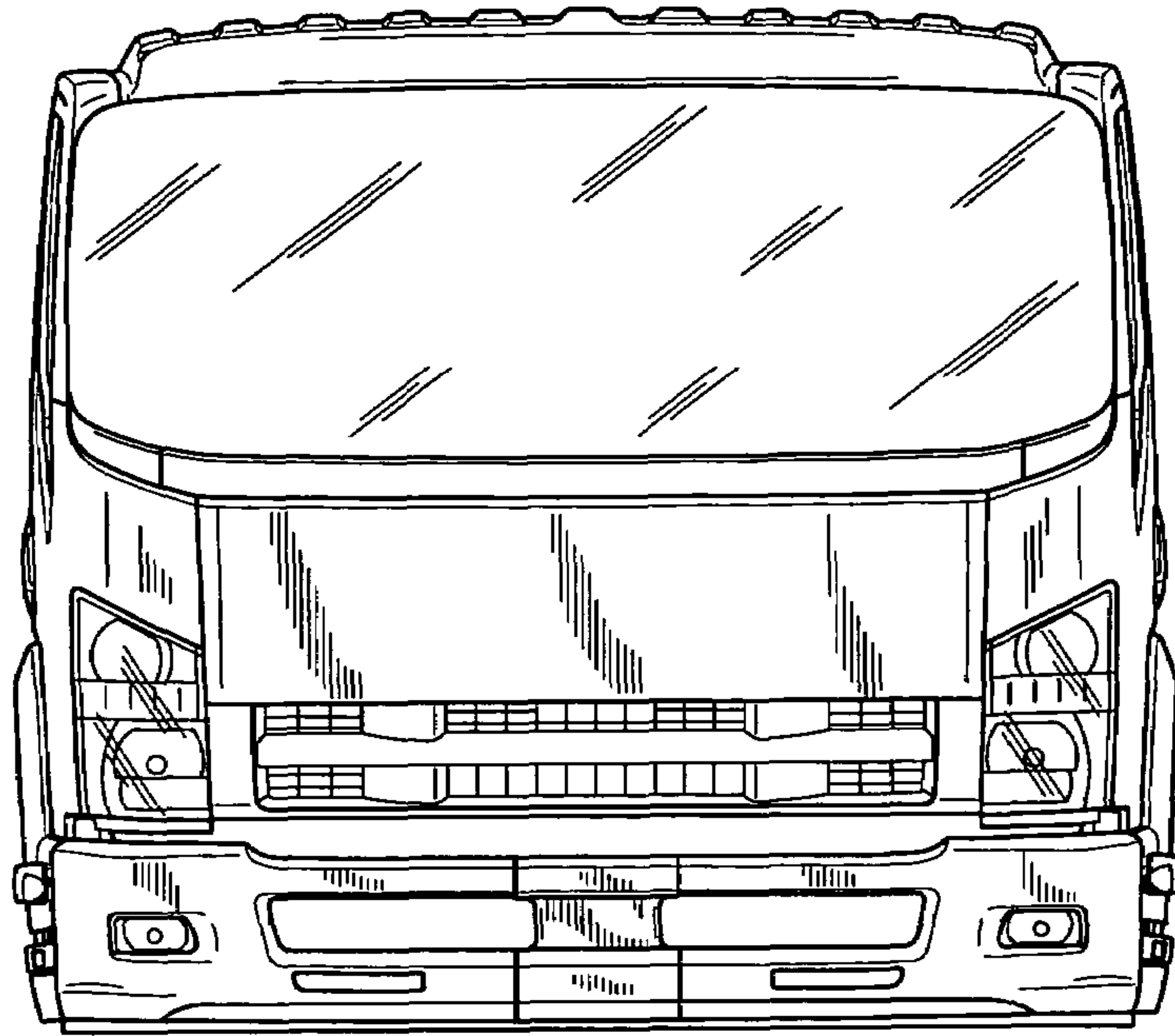


FIG. 1

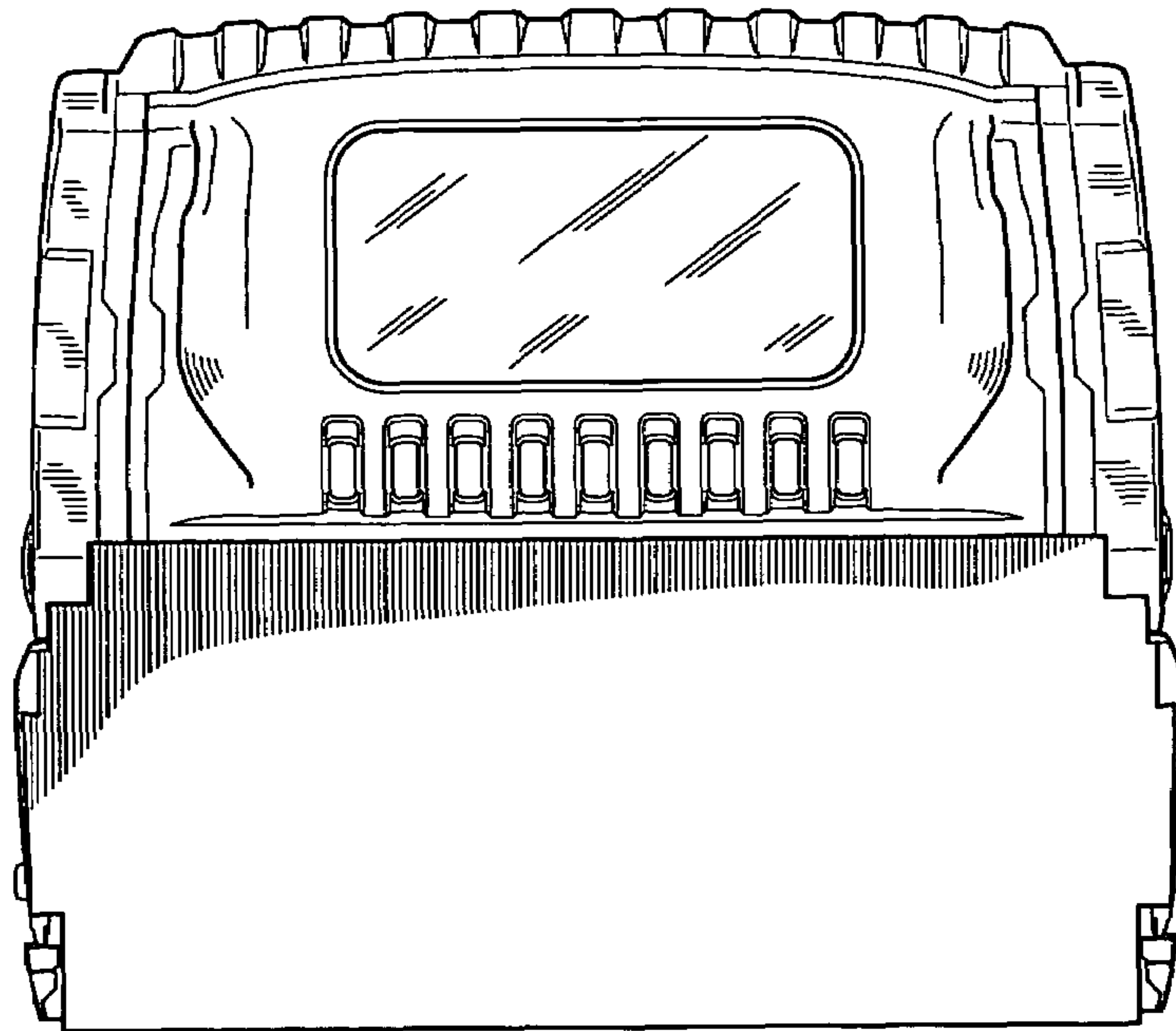


FIG. 2

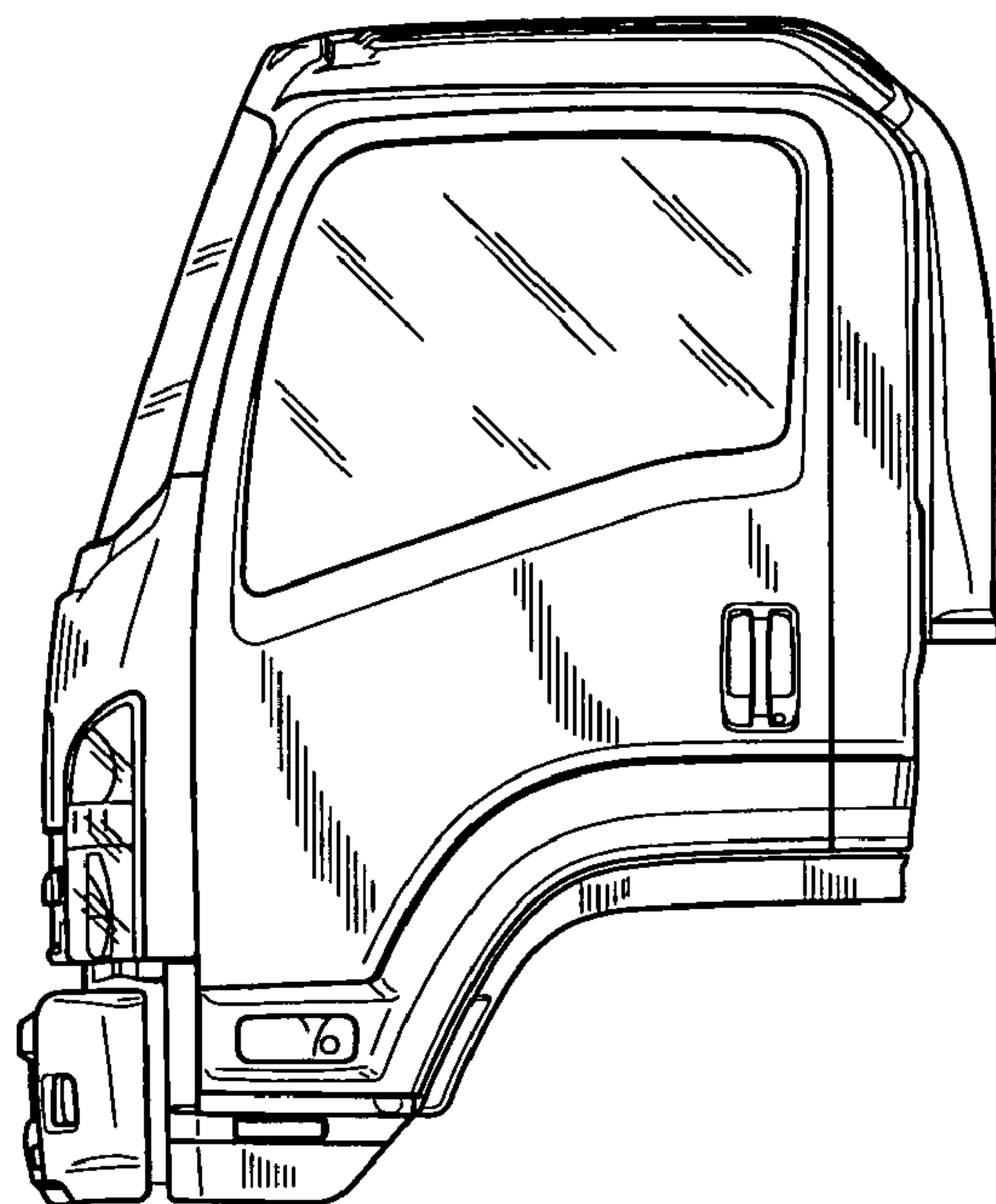


FIG. 3

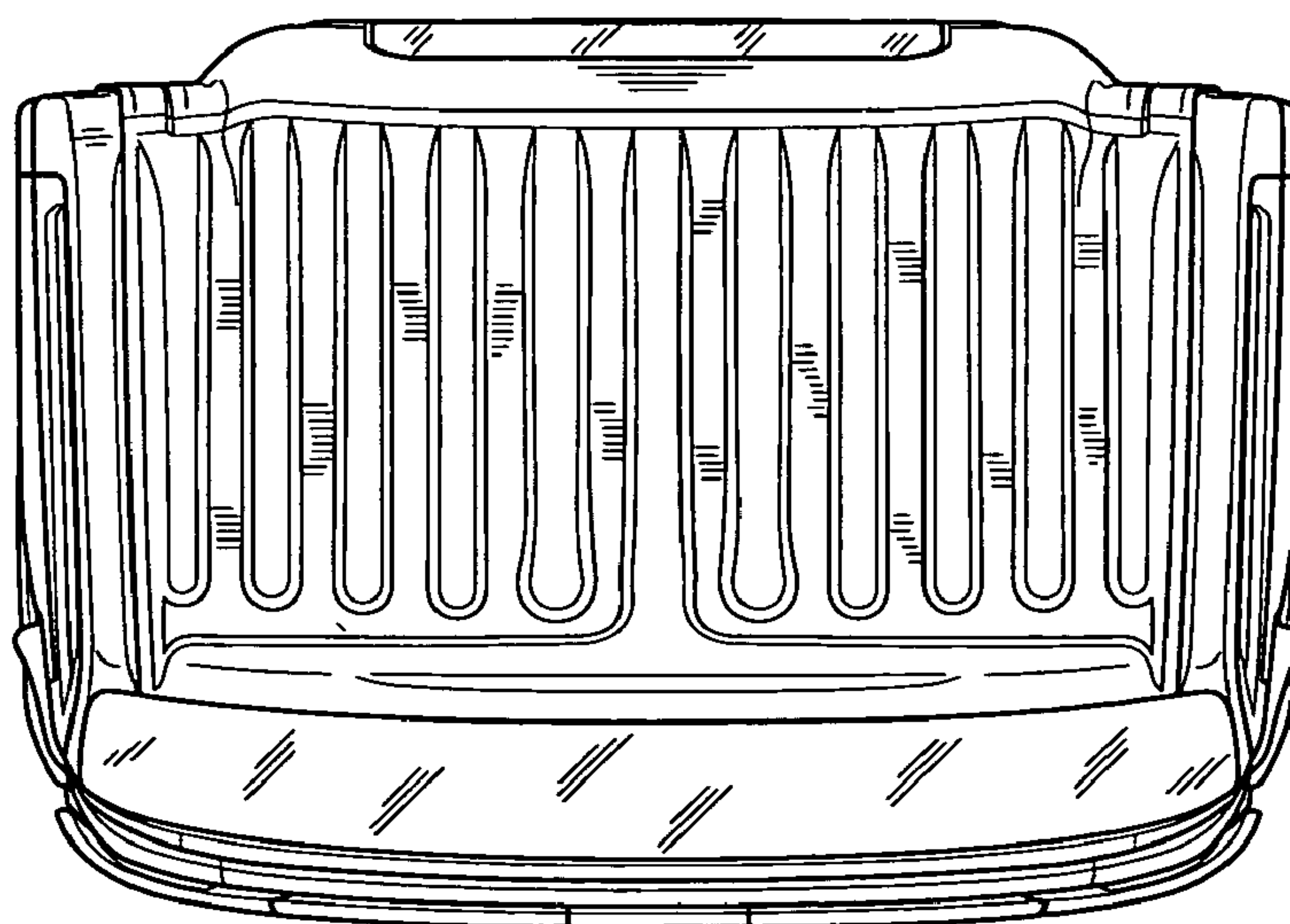


FIG. 4

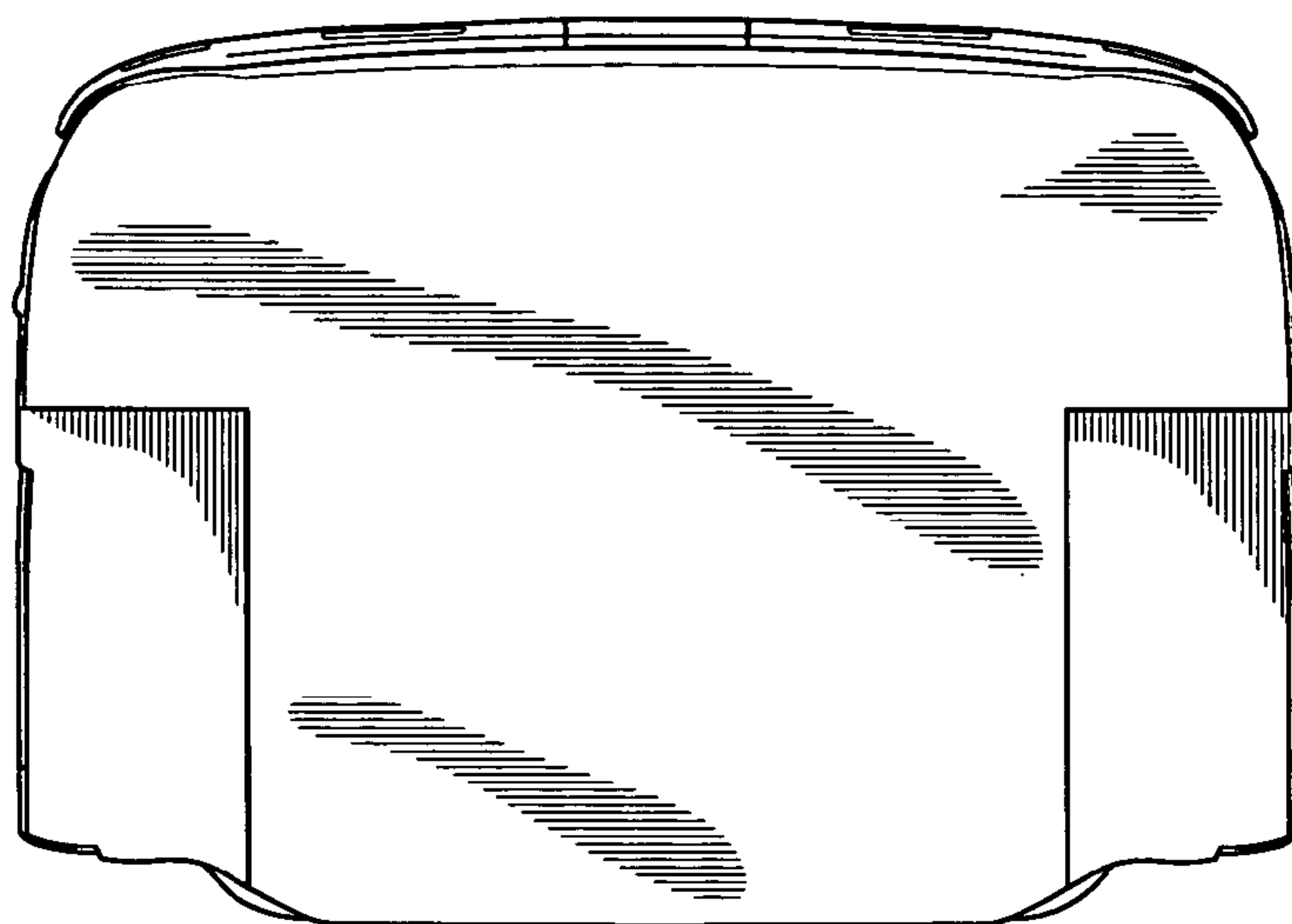


FIG. 5

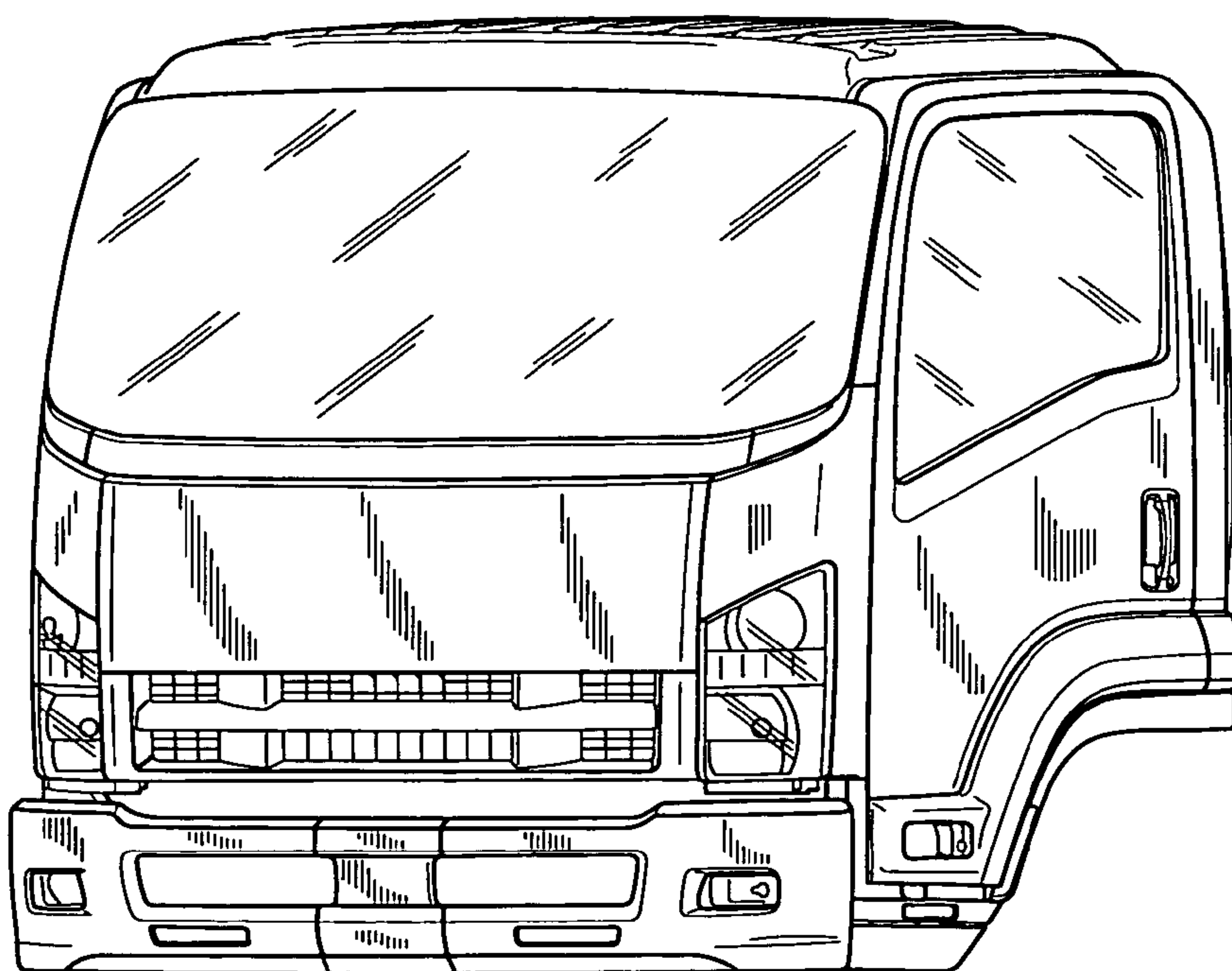


FIG. 6

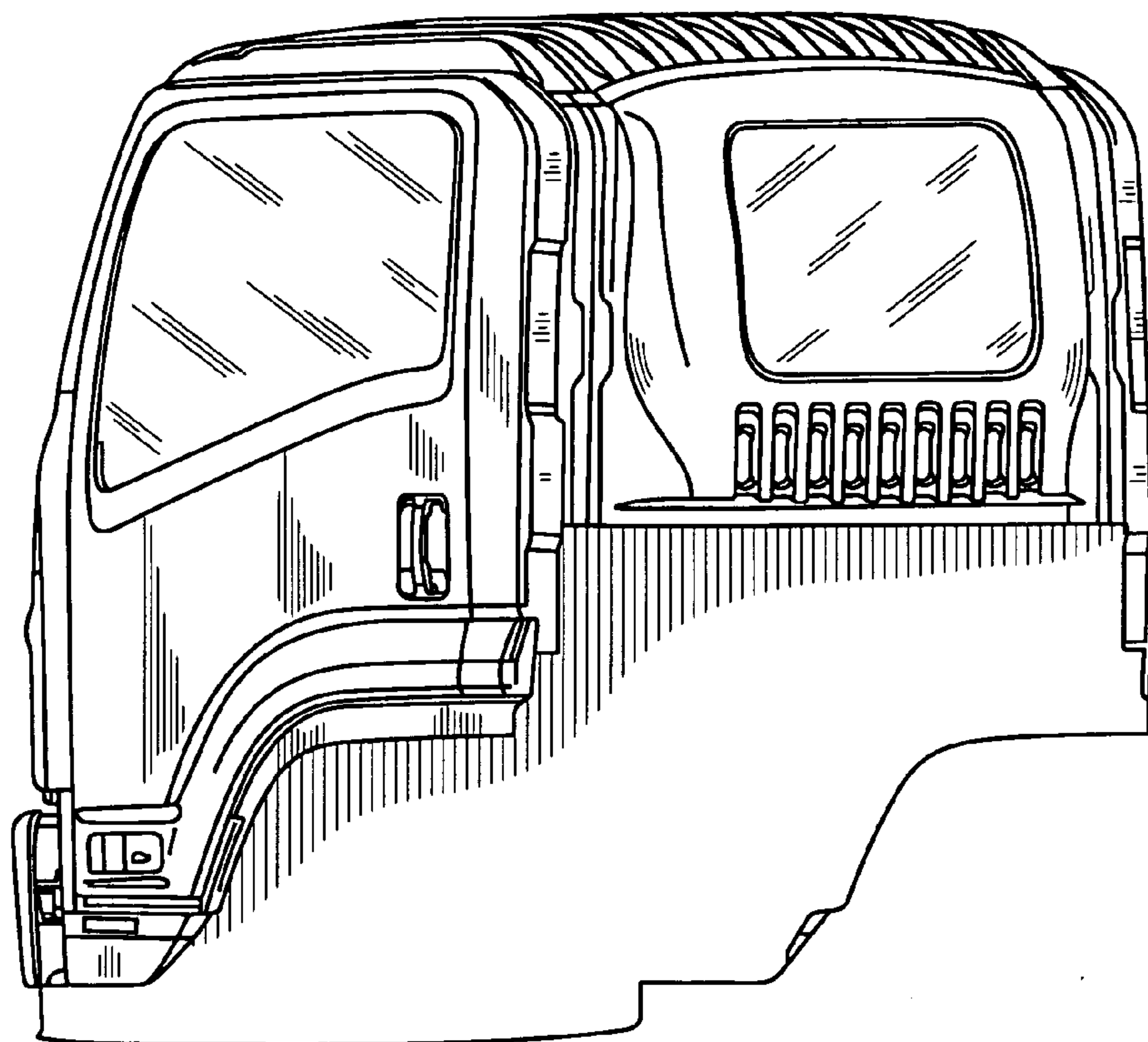


FIG. 7

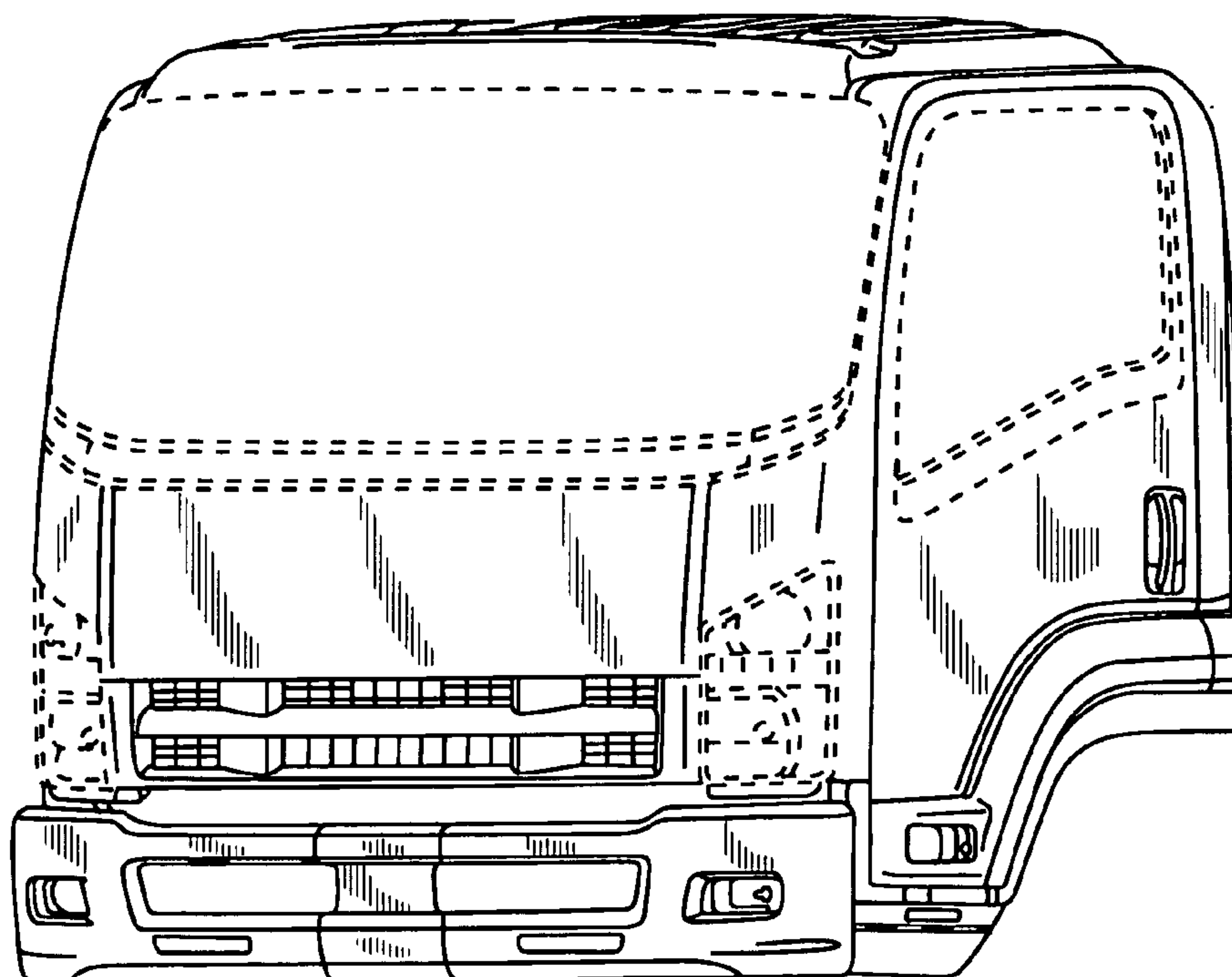


FIG. 8

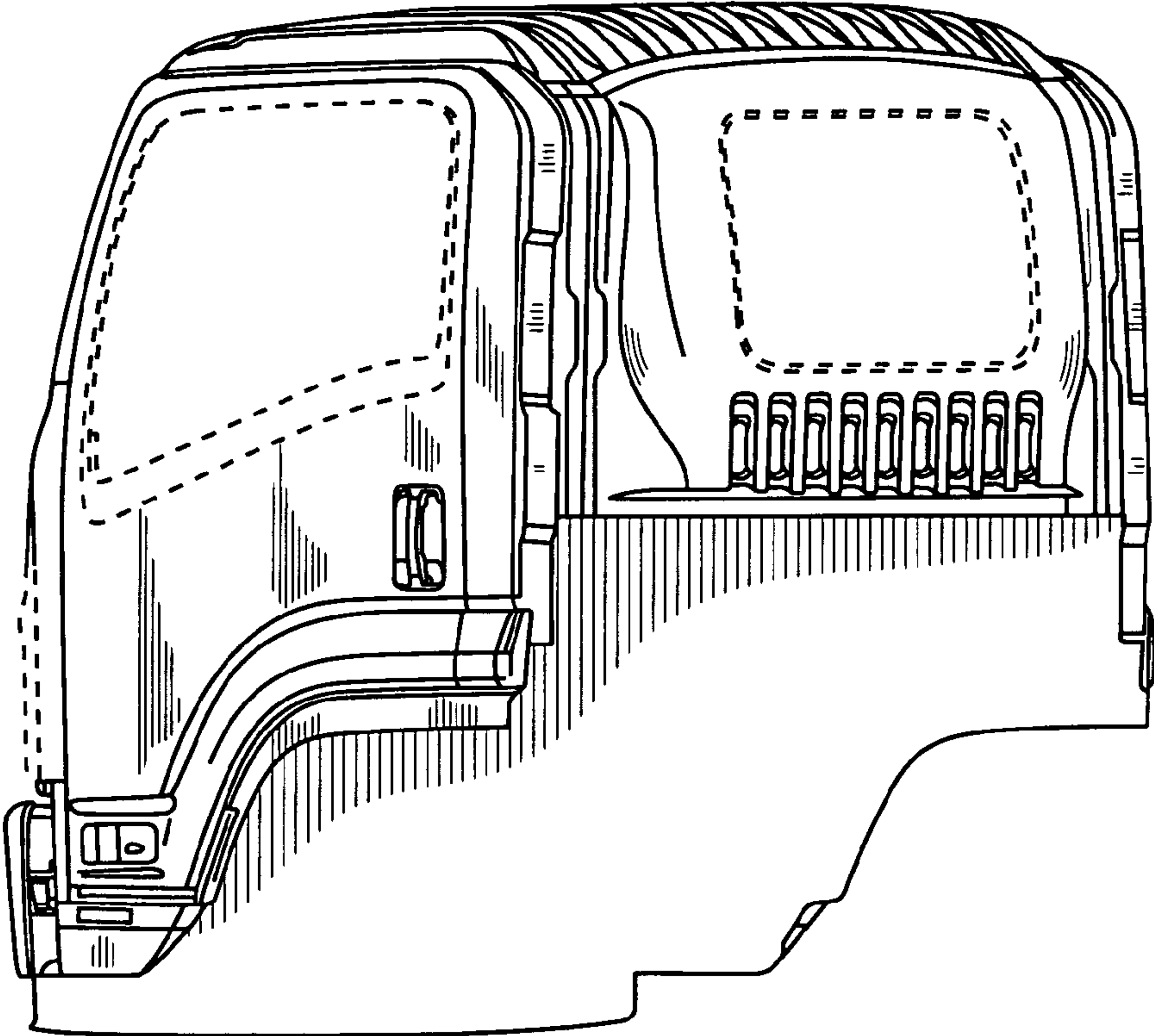


FIG. 9