

US00D570736S

(12) **United States Design Patent**
Hayashi et al.

(10) **Patent No.:** **US D570,736 S**
(45) **Date of Patent:** **** Jun. 10, 2008**

(54) **MOTOR VEHICLE AND/OR TOY REPLICA THEREOF**

Toyota, RAV4, Brochure of RAV4, Feb. 2006, Toyota Jidoshi Kabushiki Kaisha.

(75) Inventors: **Hideki Hayashi**, Toyota (JP);
Nobuyuki Tomatsu, Toyota (JP)

* cited by examiner

(73) Assignee: **Toyota Jidosha Kabushiki Kaisha** (JP)

Primary Examiner—Melody N. Brown
(74) *Attorney, Agent, or Firm*—SAIDMAN DesignLaw Group

(**) Term: **14 Years**

(57) **CLAIM**

(21) Appl. No.: **29/281,138**

The ornamental design for a motor vehicle and/or toy replica thereof, as shown and described.

(22) Filed: **Jun. 15, 2007**

(51) **LOC (8) Cl.** **12-08**

(52) **U.S. Cl.** **D12/91**

(58) **Field of Classification Search** D12/90–92,
D12/86, 88; D21/424, 433; 296/181.1, 181.5
See application file for complete search history.

DESCRIPTION

FIG. 1 is a front perspective view of a first embodiment of a motor vehicle and/or toy replica thereof showing our new design;

FIG. 2 is a rear perspective view thereof;

FIG. 3 is a left-side view thereof;

FIG. 4 is a top view thereof;

FIG. 5 is a front view thereof;

FIG. 6 is a rear view thereof;

FIG. 7 is a front perspective view of a second embodiment of a motor vehicle and/or toy replica thereof showing our new design;

FIG. 8 is rear perspective view of FIG. 7;

FIG. 9 is a right-side view of FIG. 7;

FIG. 10 is a top view of FIG. 7;

FIG. 11 is a front view of FIG. 7; and,

FIG. 12 is a rear view of FIG. 7.

(56) **References Cited**

U.S. PATENT DOCUMENTS

D460,022 S *	7/2002	Hsu et al.	D12/91
D463,758 S *	10/2002	Meadows et al.	D12/91
D466,053 S *	11/2002	O'Connell et al.	D12/91
D477,251 S *	7/2003	Yoshikata	D12/91
D477,796 S *	7/2003	Kitazumi	D12/91
D480,990 S *	10/2003	Fujiyoshi	D12/91
D505,890 S *	6/2005	Kubota et al.	D12/191
D510,543 S *	10/2005	Matsuoka et al.	D12/91
D525,565 S *	7/2006	Karikomi	D12/91
D532,716 S *	11/2006	Moushegian	D12/91

OTHER PUBLICATIONS

Suzuki, Escudo, All About New Escudo, Jul. 2005, Sanei-Shobo Publishing Co., Ltd.

1 Claim, 4 Drawing Sheets





FIG. 1



FIG. 2

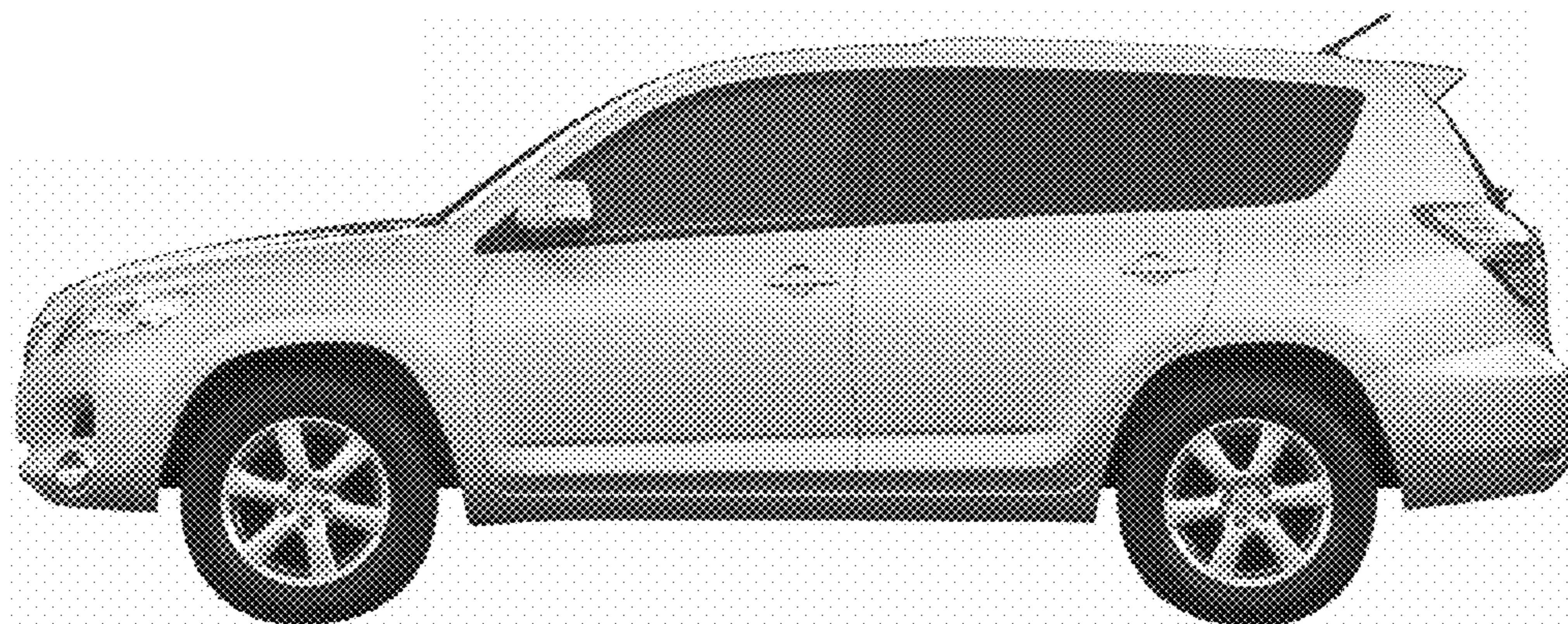


FIG. 3

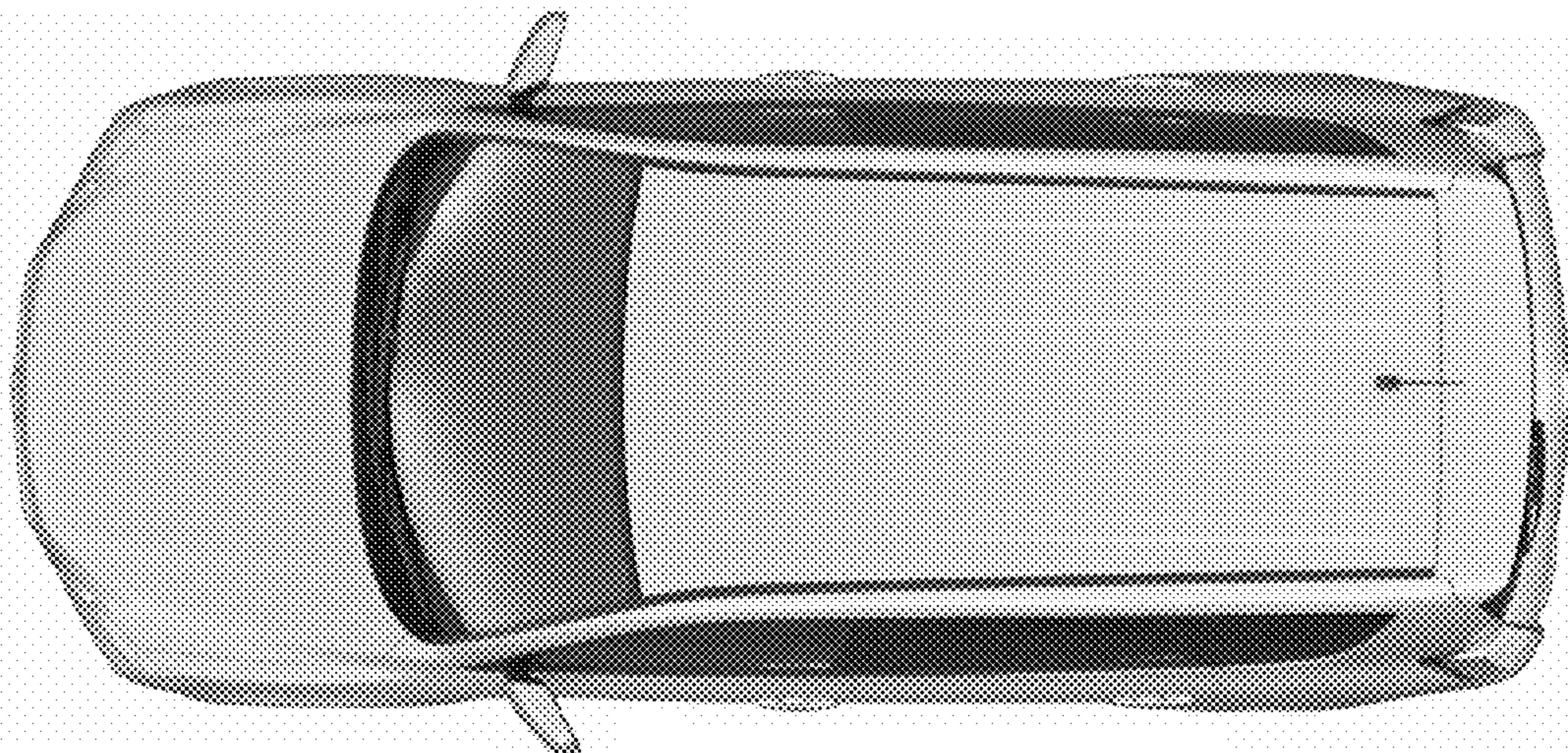


FIG. 4



FIG. 5

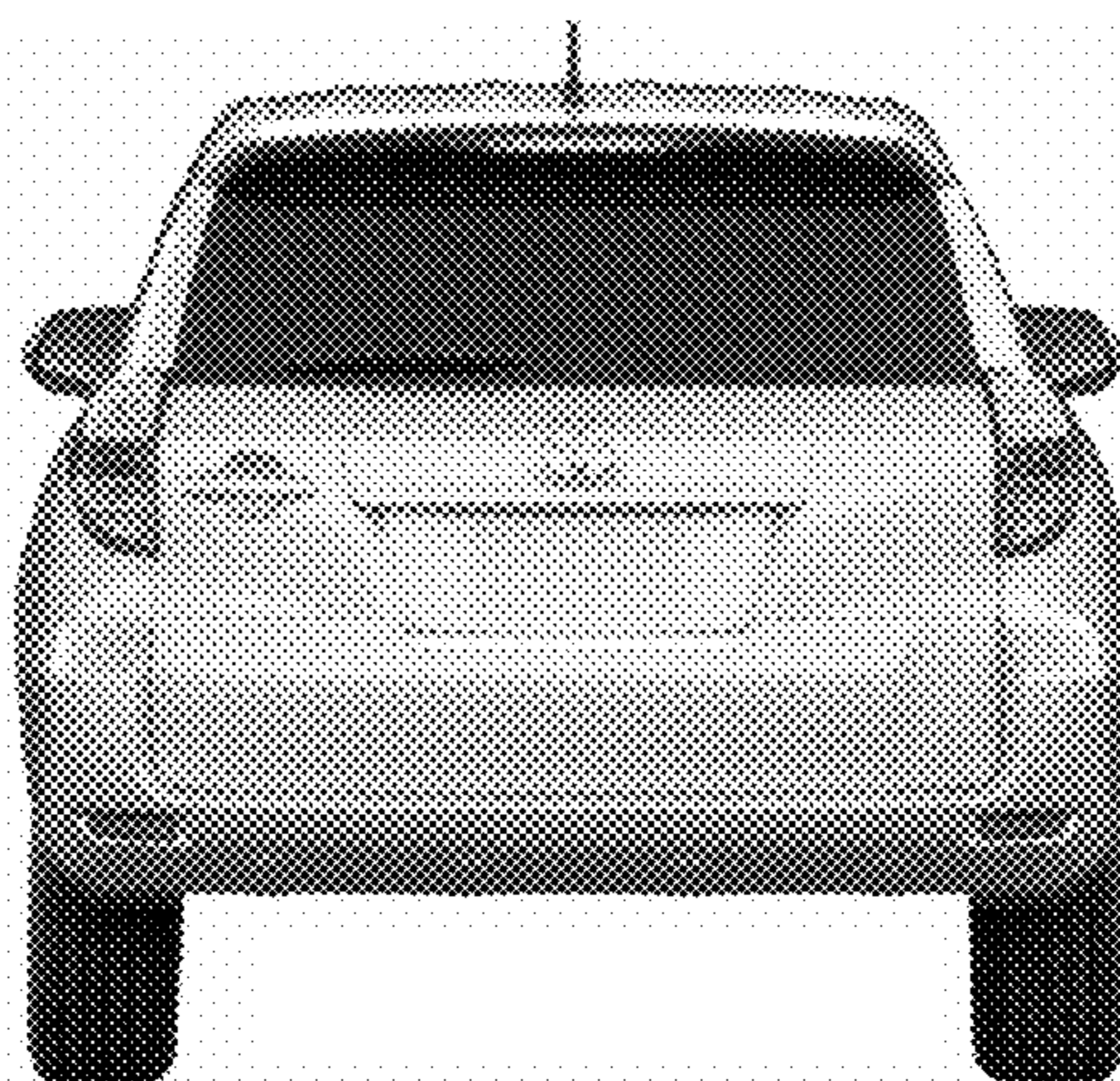


FIG. 6



FIG. 7



FIG. 8



FIG. 9

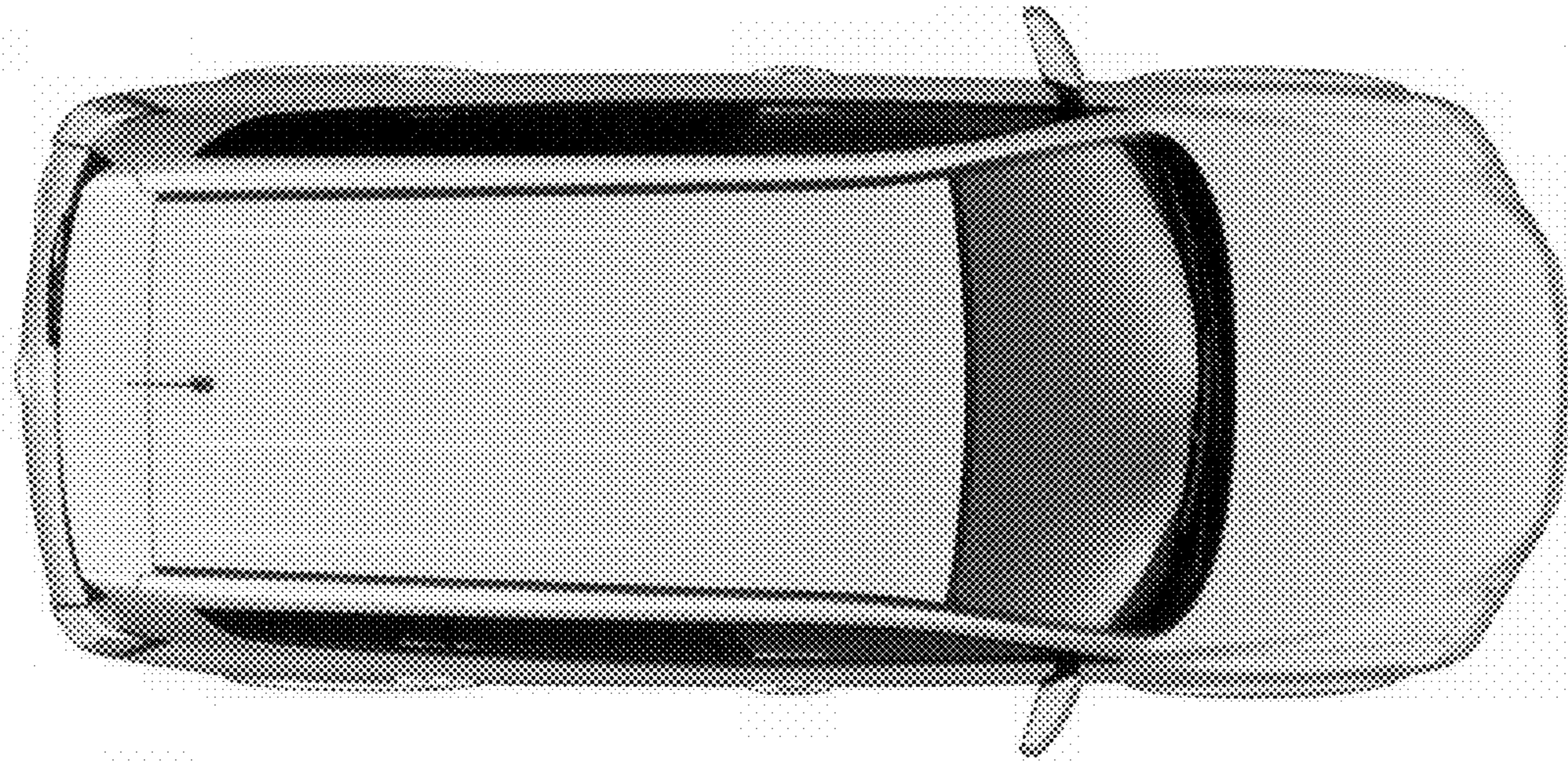


FIG. 10



FIG. 11



FIG. 12